

# TRITON

---

Model:

TRITON 1000

TRITON 1103

TRITON 2104

TRITON 2604

TRITON 730

TRITON 850



Stykliste Dansk

10-04-2011

**Nilfisk**  
**ALTO**  
*Why Compromise*

[www.nilfisk-alto.com](http://www.nilfisk-alto.com)

# Indholdsfortegnelse

TRITON

<b>CHASSIS</b>	<b>3</b>
<b>Motor and electric box</b>	<b>5</b>
<b>Motor pump unit</b>	<b>8</b>
<b>By-pass valve</b>	<b>11</b>
<b>Hose reel</b>	<b>13</b>

# CHASSIS

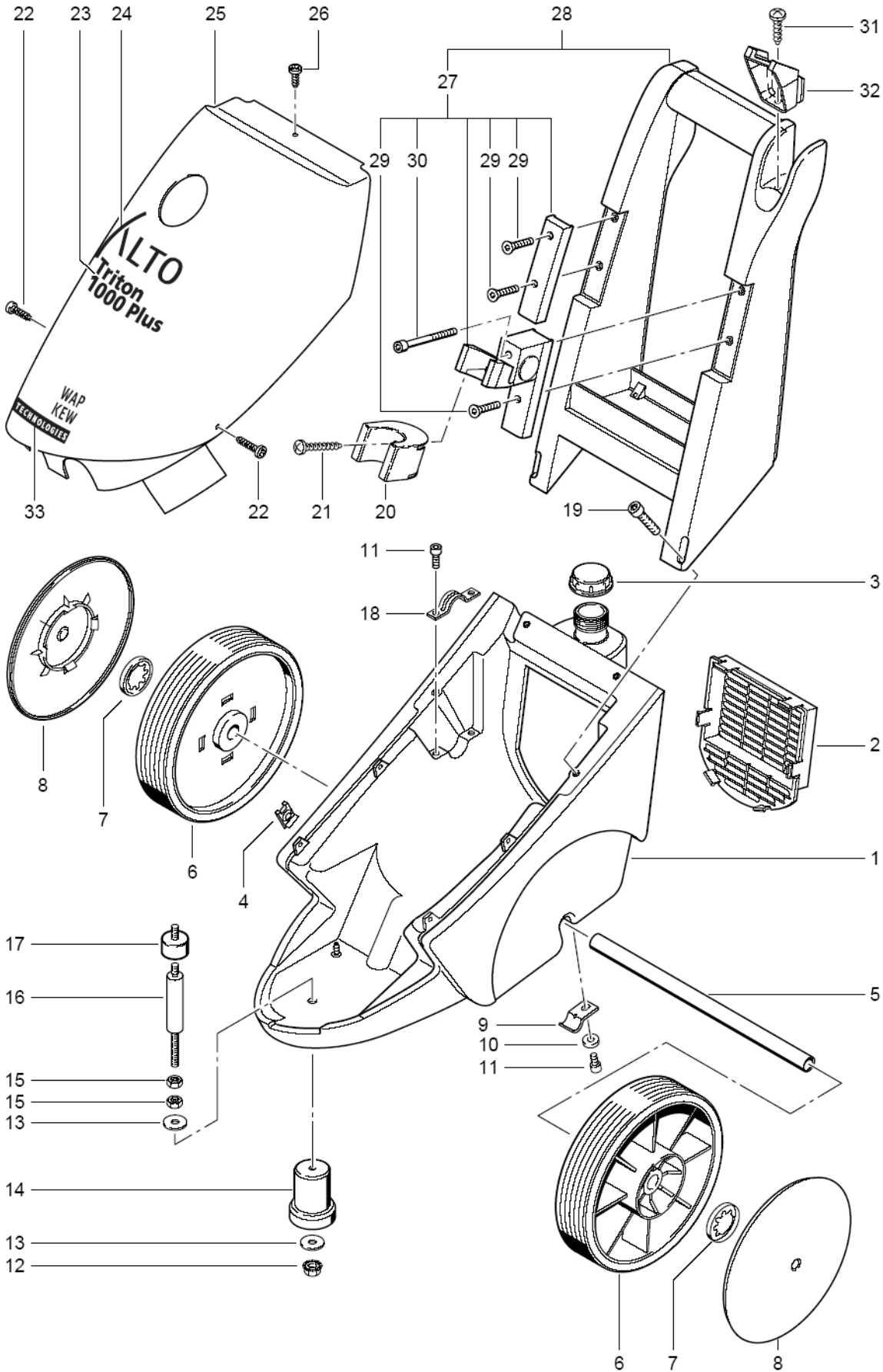
TRITON

10-04-2011

StyMiste ID

TRITON08

3



# CHASSIS

TRITON

10-04-2011

StyMiste ID  
TRITON08

4

Pos	Vare nr.	Ant	Beskrivelse	EAN
1	63480	1	GRUNDRAMME, TRITON	4005337634
2	61086	1	GITTER	4005337610
3	61102	1	SKRUELÅG	4005337611
4	63946	1	CLIPS	4005337639
5	61103	1	AKSEL	4005337611
6	46351	1	HJUL	4005337463
7	7022	1	LÅSERING	4005337070
8	66072	1	NAV KAPSEL	4005337660
9	61104	1	MONTERINGSBØJLE	4005337611
10	2766	1	WASHER 6,4X1,6	4005337027
11	3913	1	SKRUE M6X12	4005337039
12	6052	1	MØTRIK	4005337060
13	2793	1	SKIVE	4005337027
14	63467	1	STØTTEFOD	4005337634
15	2758	1	HEXAGON NUT M8	4005337027
16	64514	1	BOLT	4005337645
17	63875	1	STØDDÆMPER	4005337638
18	61118	1	BØJLE	4005337611
19	13600	1	SKRUE M6X25	4005337136
20	64327	1	FIL	4005337643
21	15360	1	SKRUE	4005337153
22	9221	1	SKRUE	4005337092
23	64543	1	LABEL TRITON 850	4005337645
23	64544	1	LABEL TRITON 1000	4005337645
23	64555	1	LABEL TRITON 1000 PLUS	4005337645
23	65714	1	LABEL FOR TRITON 730	4005337657
23	65853	1	LABEL TRITON 1103	4005337658
23	65854	1	LABEL TRITON 2104	4005337658
23	65855	1	LABEL TRITON 2604	4005337658
24	6155913	1	ALTO LOGO	5701715240
25	301000194	1	COVER TRITON	FROM 40.01 4005337671
25	64518	1	KABINET, TRITON	UP TO 39.01 4005337645
26	9781	1	SKRUE	4005337097
27	61116	1	HÅNDTAGS SÆT	4005337611
28	63468	1	KØREHÅNDTAG	4005337634
29	24311	1	SKRUE	4005337243
30	13890	1	SKRUE	4005337138
31	5190	1	SKRUE	4005337051
32	64326	1	HOLDER F. PISTOLGREB	4005337643
33	6100217	1	LOGO WAP KEW TECHNO.	5701715270

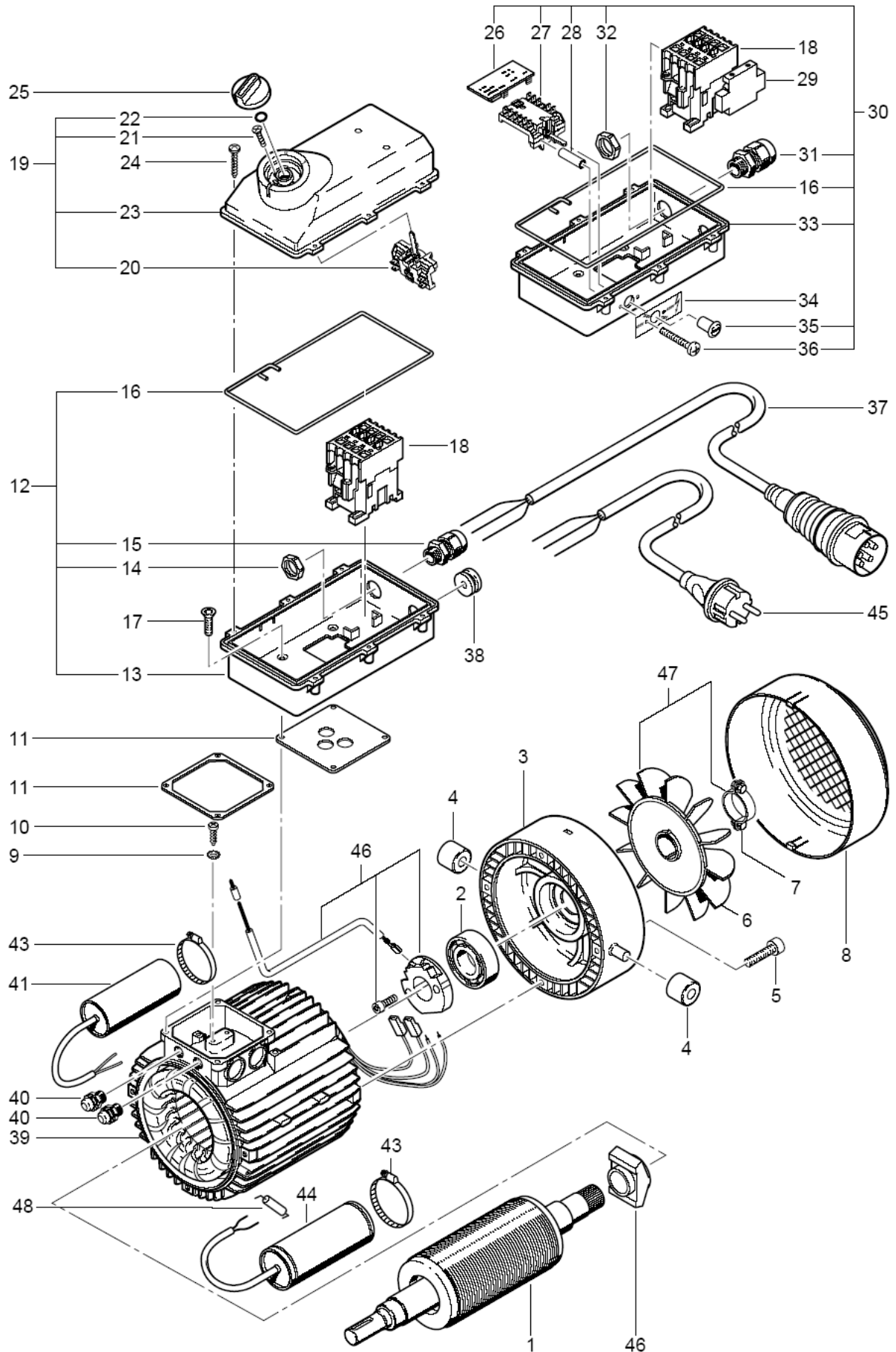
# Motor and electric box

TRITON

10-04-2011

StyMiste ID  
TRITON02

5



# Motor and electric box

TRITON

10-04-2011

StyMiste ID TRITON02

6

Pos	Vare nr.	Ant	Beskrivelse		EAN
1	106183084	1	ROTOR 2,2KW	2,2KW FORM 23.02	5701715312
1	106183097	1	ROTOR 3,0KW	3,0KW, TRITON 2104	5701715300
1	6183067	1	AKSEL MED ROTOR	2,2KW UP TO 22.02	5701715293
2	40918	1	KUGLELEJE	UP TO 22.02	4005337409
2	9934	1	KUGLELEJE	FROM 23.02	4005337099
3	106183085	1	REAR BEARING COVER	FROM 23.02	5701715312
3	61061	1	LEJEDÆKSEL	UP TO 22.02	4005337610
4	26608	1	BØSNING		4005337266
5	13600	1	SKRUE M6X25		4005337136
6	61062	1	VENTILATOR	UP TO 22.02	4005337610
7	61572	1	SPÆNDEBÅND	UP TO 22.02	4005337615
8	61063	1	VENTILATORSPJÆLD		4005337610
9	4021	1	SPÆNDESKIVE		4005337040
10	4144	1	CYLINDER SCREW M4X6 ISO 1207 ZN		4005337041
11	29932	1	PAKNING	TRITON 850, 1000, 1000 PLUS, 2604	4005337299
11	301000018	1	GASKET	TRITON 730, 730 PLUS, 1103, 2104	4005337004
13	63469	1	SWITCHBOX UNDERDEL		4005337634
14	17345	1	MØTRIK PG13,5	TRITON 1103, 2104	4005337173
14	17346	1	NUT 6KT PG 16 46320 PVC	*JP,50/60HZ*	4005337173
15	17349	1	CABLE SCREW	*EU*GB*AU*DK*CN*HK*TH*TW*KR*	4005337173
15	17350	1	CABLE SCREWING	*JP,50/60HZ*	4005337173
16	101406054	1	SPONGE RUBBER Ø4 L 1M		5701715457
17	30346	1	SKRUE M5X12		4005337303
18	103822304	1	CONTACTOR CJX2-D18-P7 230 V	TRITON 730, 730 PLUS	4005337178
18	103822310	1	CONTACTOR CJX2-D25-M7 200V	TRITON 850, 1000, 1000 PLUS, 2104 FROM 03.2002	5715492057
18	103822311	1	CONTACTOR CJX2-D25-F7 110V	TRITON 1103	5715492057
18	63878	1	KONTAKTOR 380-400V	TRITON 850, 1000, 1000 PLUS	4005337638
18	64582	1	CONTACTOR	TRITON 850, 1000, 1000 PLUS, 2604	4005337645
19	63471	1	SWITCHBOX OVERDEL		4005337634
20	29931	1	KONTAKT		4005337299
21	18274	1	SKRUE M4X12		4005337182
22	9868	1	O-RING 10.0X2.5		4005337098
23	63470	1	SWITCHBOX OVERDEL		4005337634
24	16861	1	SKRUE 3,9 X 16		4005337168
25	243611	1	DREJEKNAP		4005337017
26	64750	1	PRINTPLADE TRITON		4005337647
27	64579	1	KONTAKT STJERNE/TREKANT	*NO*BE*IT*US*EXP*, TRITON 850, 1000, 1000 PLUS, 26	4005337645
28	64581	1	RØR	TRITON 850, 1000, 1000 PLUS, 2604	4005337645
29	64773	1	HJÆLPEKONTAKT	TRITON 850, 1000, 1000 PLUS, 2604	4005337647
31	17350	1	CABLE SCREWING	TRITON 850, 1000, 1000 PLUS	4005337173
31	17351	1	CABLE GLAND	TRITON 2604	4005337173
32	17346	1	NUT 6KT PG 16 46320 PVC	TRITON 850, 1000, 1000 PLUS	4005337173

# Motor and electric box

TRITON

10-04-2011

StyMiste ID TRITON02

7

Pos	Vare nr.	Ant	Beskrivelse		EAN
32	17352	1	NUT 6KT PG 21 46320 PVC	TRITON 2604	4005337173
33	64776	1	Switch case housing - underpart	TRITON 850, 1000, 1000 PLUS, 2604	4005337647
34	64586	1	LABEL	TRITON 850, 1000, 1000 PLUS, *NO*BE*IT*	4005337645
34	64787	1	LABEL 220-440V CHANGE-OVER 74X28	TRITON 850, 1000, 1000 PLUS, 2604, *US*EXP*	4005337647
35	64580	1	ROTARY KNOB	TRITON 850, 1000, 1000 PLUS, 2604	4005337645
36	40045	1	SKRUE	TRITON 850, 1000, 1000 PLUS, 2604	4005337400
37	301000042	1	WIRE NET SOW 4AWG12X9M O.	TRITON 2604 - WITH OUT PLUG	4005337005
37	301000227	1	WIRE NET SJTW AWG12/3X11M	TRITON 1103	4005337671
37	3821142	1	POWER CORD SJTWA WG 12/3X11	TRITON 2104	5701715008
37	6180240	1	INLET CABLE W PLUG EEC	TRITON 850, 1000, 1000 PLUS *EU*DK*	5701715323
37	6180260	1	EL-KABEL H07RN-F 4G 1.5	TRITON 850, 1000, 1000 PLUS *GB*AU*	5701715077
37	6180269	1	ELEC.CABLE H07RN-F3G2.5	*EXP*JP,50/60Hz* - WITH OUT PLUG	5701715323
37	6181239	1	INLET CABLE W PLUG	TRITON 850, 1000, 1000 PLUS *NO*BE*IT*	5701715337
38	60270	1	KABELGENNEMFØRING		4005337602
39	106183072	1	STATOR 1X115V 60HZ		5701715312
39	106183075	1	STATOR 1X220V 60HZ		5701715312
39	106183081	1	STATOR 230-240AT 1/50HZ	UP TO 22.02	5701715293
39	106183086	1	STATOR 1X220V 60HZ		5701715312
39	106183087	1	STATOR 1X230-240V 50HZ	FROM 23.02	5701715312
39	6183073	1	STATOR	3x230V/400V, 3x415V - 50 Hz	5701715293
39	6183074	1	STATOR	3x200V, 3x220/440V - 50/60Hz	5701715293
40	909100003	1	SCREWED CABLE GLAND M12X1.5	TRITON 730, 730 PLUS	4005337004
41	103821892	1	KONDENSATOR DRIFT 50UF	TRITON 730, 730 PLUS	5701715323
41	106183091	1	CAPACITOR (OPERATION) 60M	TRITON 2104	5701715300
41	106183098	1	CAPACITOR 120MF	TRITON 1103	5701715300
43	1810332	1	SPÆNDEBÅND		5701715030
44	103821893	1	CAPACITOR START-UP 70UF	TRITON 730, 730 PLUS, FROM 23.02	5701715323
44	106183063	1	CAPACITOR (START-UP) 85MF	TRITON 2104	5701715312
44	106183064	1	CAPACITOR (START-UP) 250M	TRITON 1103	5701715312
44	301000193	1	MOD KIT TRITON	UP TO 23.02	5701715335
44	6183079	1	CAPACITOR (START-UP)	TRITON 730, 730 PLUS, UP TO 22.02	5701715290
45	301000227	1	WIRE NET SJTW AWG12/3X11M	TRITON 1103	4005337671
45	3821142	1	POWER CORD SJTWA WG 12/3X11	TRITON 2104	5701715008
45	65798	1	WIRE HARNESS H07RN-F 3G1	TRITON 730, 730 PLUS *GB,230-240V*	4005337657
45	65799	1	WIRE HARNESS H07RN-F 3G1,	TRITON 730 *CN*HK*TH*TW*KR*	4005337657
46	106183093	1	SWITCH LOCKED PART	TRITON 730, 730 PLUS - 50 HZ FROM 23.2002	5701715300
47	106183089	1	VENTILATORVINGE	TRITON 730, 730 PLUS - 50 HZ FROM 23.2002	5701715304
48	301000913	1	RESISTOR 15KOH WITH 7W		4005337023

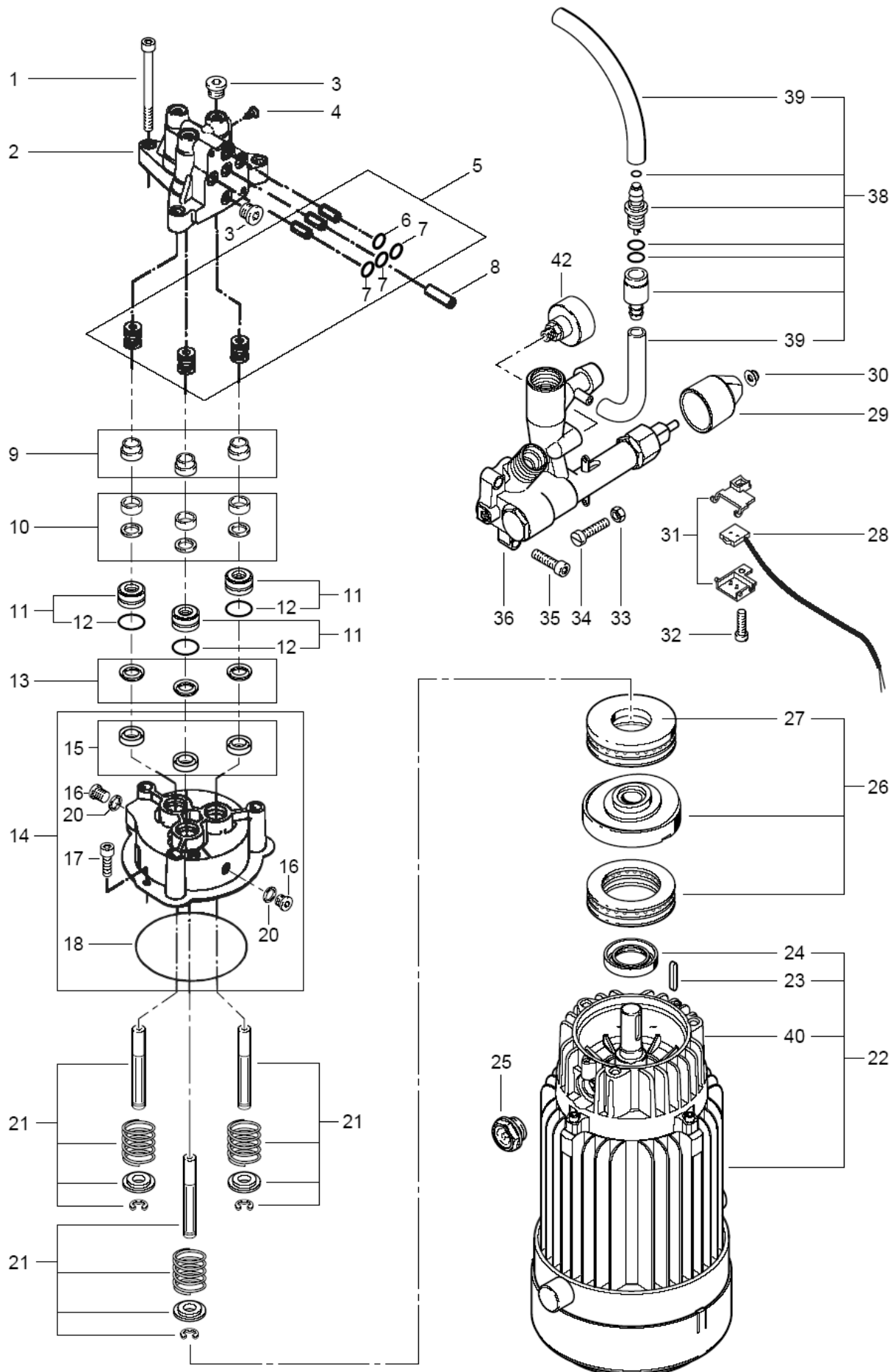
# Motor pump unit

TRITON

10-04-2011

StyMiste ID  
TRITON04

8





# Motor pump unit

TRITON

10-04-2011

StyMiste ID  
TRITON04

9

Pos	Vare nr.	Ant	Beskrivelse	EAN
-	5218433	1	PUMP OIL ISO 150 1 L.	5701715046
1	1813393	1	SKRUE M10X100	5701715030
2	6187132	1	TOPSTYKKE	5701715277
3	6180906	1	PROP M. O-RING	5701715077
4	6122313	1	PROP MED O-RING	5701715003
5	1119209	1	REP.SÆT, VENTILSYSTEM	5701715019
6	3001807	1	O-RING 16X1,2 NITRIL	5701715038
7	3001070	1	O-RING Ø13,1X1,6 NITRIL	5701715037
8	6120624	1	AFSTANDSBØSNING	5701715067
9	6183050	1	AFSTANDSSTYKKE (3 STK.)	5701715271
10	1119212	1	REP.SÆT, STØTTER./MANCHET	5701715019
11	6180910	1	TRYKRING, KOMPL.	5701715077
12	3004009	1	O-RING 30,0 X 2,0	5701715038
13	6183051	1	AFSTANDSTYKKE (3 STK.)	5701715271
14	6183052	1	CYLINDERBLOK KOMPL.	5701715271
15	1117642	1	U-MANCHET (3STK.)	5701715278
16	6105533	1	PROP	5701715065
17	15045	1	SKRUE M6X35	4005337150
18	3003886	1	O-RING 120,4 X 1,78	5701715038
20	3004318	1	COPPER GASKET	5701715293
21	1119201	1	REP.SÆT KERAMIKSTEMPEL	1- 5701715019
21	1119202	1	REP.SÆT KERAMIKSTEMPEL	3- 5701715019
22	6182950	1	ELEC. MOTOR W. KEY	1x230-240 V - 50 Hz ==>22.2002  5701715293
22	6182953	1	ELEC. MOTOR W. KEY	1x115V-60Hz, Triton 1103 5701715293
22	6182954	1	MOTOR 4.8KW	5701715271
22	6182955	1	MOTOR 4.8KW 3X200,220/440	5701715271
22	6182956	1	EL.MOTOR W. KEY 1X220V 60HZ	5701715293
22	6182957	1	MOTOR KV 2.2KW 1X230-240V 50HZ	1x230-240V - 50Hz  23.2002==> 5701715300
23	3202512	1	KEY	5701715293
24	6182935	1	OLIETÆTNINGSRING	5701715271
25	2202513	1	INSPEKTIONSGLAS	5701715271
26	106183083	1	WOBBLE DISC/BEARING REP.KIT	TRITON 730 - 60 HZ 5701715334
26	106183150	1	WOBBLE DISC/BEARING 1X220V KIT	TRITON 2104 5701715359
26	106183151	1	WOBBLE DISC/BEARING 1X115V KIT	TRITON 1103 5701715359
26	6183056	1	REP.SÆT, SKRÅSKIVE/LEJER	TRITON 1000, 1000 PLUS - 50 HZ 5701715271
26	6183057	1	REP.SÆT, SKRÅSKIVE/LEJER	TRITON 850 - 50 HZ 5701715271
26	6183058	1	WOBBLE DISC/BEARINGS REP.KIT	TRITON 850 - 60 HZ, TRITON 730, 730 PLUS - 50 HZ 5701715271
26	6183059	1	REP. KIT, WOBBLE DISC/BEA RINGS	TRITON 1000, 1000 PLUS - 60 HZ, 2604 5701715271
27	6182479	1	LEJESKIVE	5701715078
28	62546	1	MICRO SWITCH	4005337625
29	62397	1	DREJEKNAP	4005337623
30	62397	1	DREJEKNAP	4005337623

# Motor pump unit

TRITON

10-04-2011

StyMiste ID

TRITON04

10

Pos	Vare nr.	Ant	Beskrivelse	EAN
31	62401	1	HUS F. MICRO SWITCH	4005337624
32	1814602	1	SKRUE INSEX M5X16 RF	5701715271
33	2759	1	MØTRIK M8	4005337027
34	1800572	1	SKRUE M4X22	5701715026
35	1803345	1	SKRUE M8X30	5701715028
36	106182984	1	OMLØBSVENTIL, KOMPL.	5701715298
38	61097	1	KONTRAVENTIL	4005337610
39	101406100	1	KEMISLANGE, 5 METER	PLEASE INDICATE LENGTHS IN METRES WHEN ORDERING 4005337163
40	6184654	1	FRONT BEARING COVER	5701715292
42	301000246	1	MANOMETER POSEIDON 5	4005337671

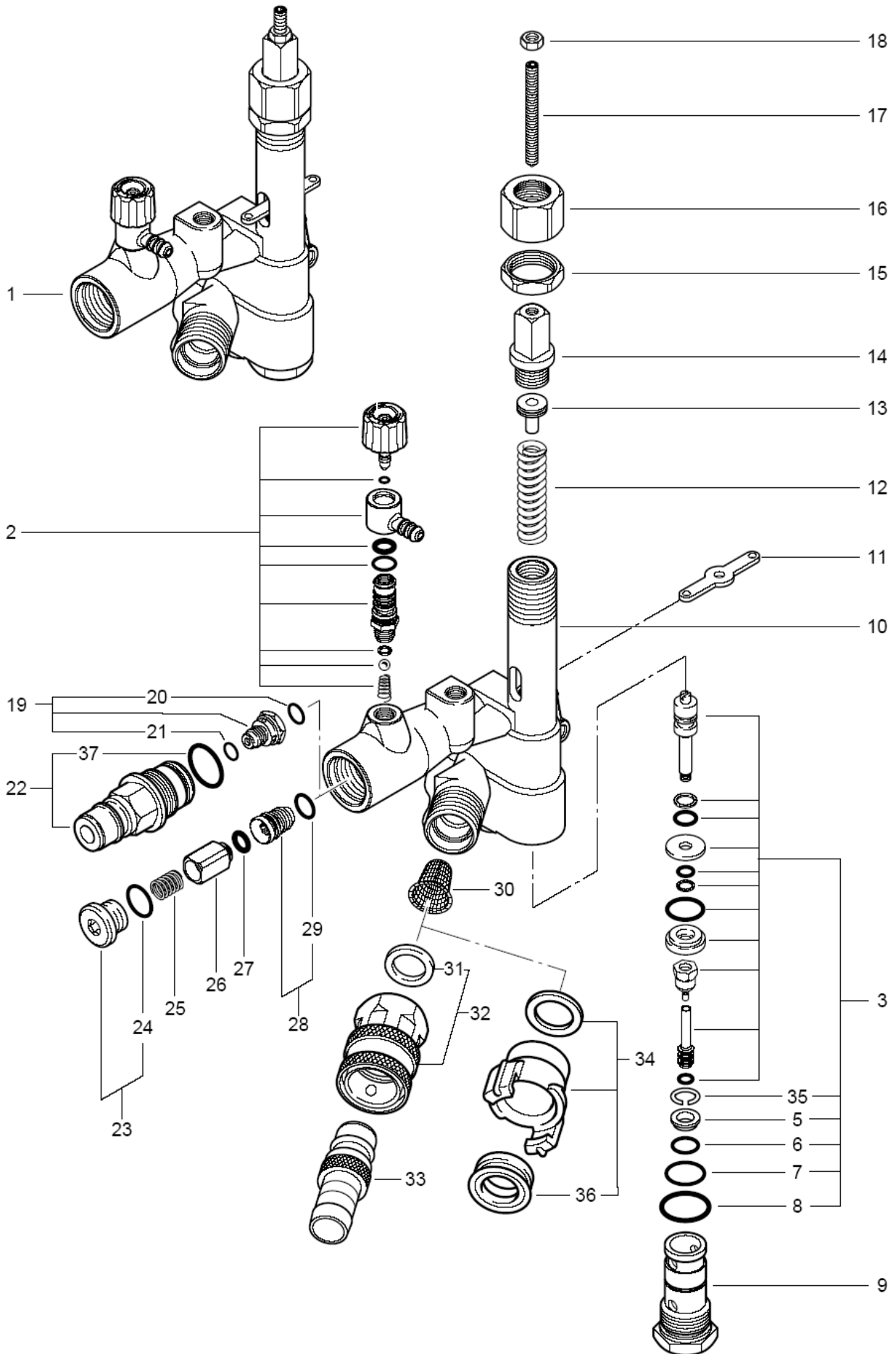
# By-pass valve

TRITON

10-04-2011

StyMiste ID  
TRITON06

11



# By-pass valve

TRITON

10-04-2011

StyMiste ID  
TRITON06

12

Pos	Vare nr.	Ant	Beskrivelse	EAN
1	106182984	1	OMLØBSVENTIL, KOMPL. Models before 2002 see TSB	5701715298
2	64312	1	KEMIDOSERING	4005337643
3	64314	1	REP.SÆT VENTILSTEMPEL	4005337643
5	62708	1	VENTILSÆDE	4005337627
6	49461	1	O-RING	4005337494
7	9523	1	O-RING	4005337095
8	32091	1	O-RING	4005337320
9	64301	1	BANJO BOLT	4005337643
10	106182987	1	VALVE HOUSING	5701715301
11	62717	1	KONTAKTBESLAG	4005337627
12	40972	1	FJEDER	4005337409
13	62695	1	FJEDERSTYR	4005337626
14	62712	1	JUSTERSKRUE	4005337627
15	62696	1	MØTRIK	4005337626
16	62710	1	OMLØBER	4005337627
17	62711	1	GEVINDSTIFT	4005337627
18	1800705	1	MØTRIK M6	5701715026
19	62155	1	INJEKTORDYSE Ø1,8X2,6 TRITON 730 *TW*KR* -60HZ	4005337621
19	62156	1	INJEKTORDYSE, KEMI	4005337621
20	1381	1	O-RING 14X2	4005337013
21	16925	1	O-RING	4005337169
22	64236	1	OVERGANG, TRITON	4005337642
22	65797	1	BANJOBOLT	4005337657
23	6182971	1	PROP	5701715271
24	16998	1	O-RING	4005337169
25	18067	1	COMPRESSION SPRING TRITON 730, 730 PLUS - 60 HZ, TRITON 1103, 2104	4005337180
25	6182972	1	FJEDER	5701715271
26	6187135	1	STEMPEL	5701715290
27	9858	1	O-RING	4005337098
28	6182973	1	VENTILSÆDE	5701715271
29	3003688	1	O-RING 11,11X1,78 NITRIL	5701715038
30	101117926	1	FILTER	4005337177
31	3001237	1	PAKNING Ø24,5XØ16X3	5701715037
32	1602945	1	LYNKOBLING 3/4" LAVTRYK	5701715024
33	1600659	1	LYNKOBLINGSNIPPEL 3/4"	5701715023
33	1604669	1	LYNKOBLINGSNIPPEL LAVTRYK 1/2"	5701715025
33	1605955	1	NIPPLE F. QUICK COUPLING L.P USA	5701715026
34	1718	1	GEKA THREADED FITTING 3/ 4" I	4005337017
35	909100001	1	LÅSERING	4005337003
36	6502	1	MOULDED GASKET GEKA COUP ling	4005337065
37	32091	1	O-RING	4005337320

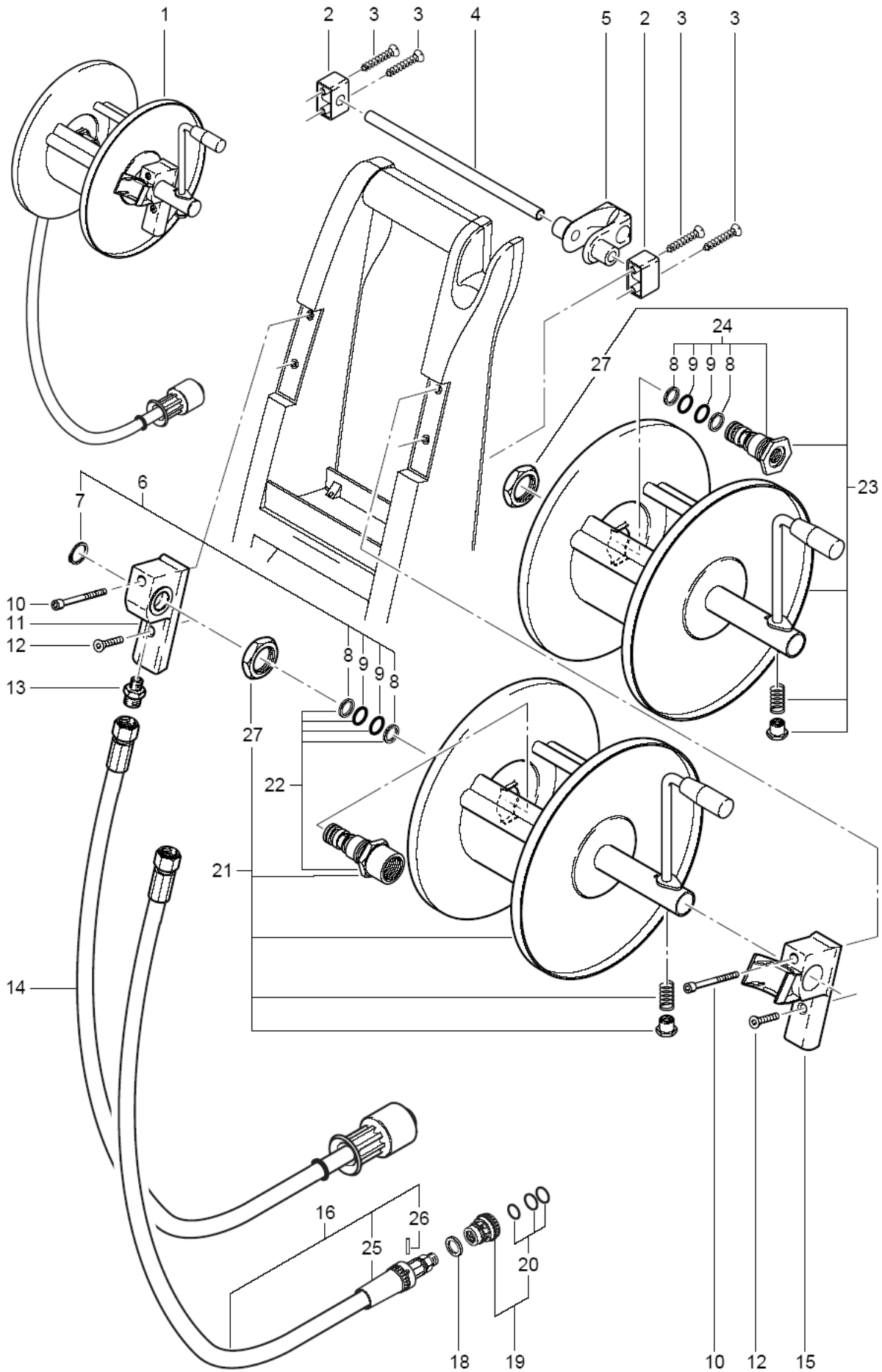
# Hose reel

TRITON

10-04-2011

StyMiste ID  
TRITON10

13



# Hose reel

TRITON

10-04-2011

StyMiste ID  
TRITON10

14

Pos	Vare nr.	Ant	Beskrivelse		EAN
1	301000266	1	HOSE REEL TRITON	KEW couplers	4005337671
1	61253	1	SLANGERULLE F. 20 MTR.SL	WAP - Geka couplers	4005337612
2	63789	1	LAGERBOCK		4005337637
3	49779	1	SKRUE		4005337497
4	63788	1	AKSEL		4005337637
5	62454	1	SLANGEFØRING		4005337624
6	62317	1	REP.SÆT F. SLANGERULLE TR		4005337623
7	32524	1	SIKRINGSRING		4005337325
8	63792	1	BACK-UP RING		4005337637
9	19620	1	O-RING		4005337196
10	13890	1	SKRUE		4005337138
11	63790	1	LEJEHUS		4005337637
12	24311	1	SKRUE		4005337243
13	3938	1	FORSKRUNING		4005337039
14	63795	1	TILSLUTNINGSSLANGE TRITON	WAP	4005337637
15	63466	1	HOLDER		4005337634
16	301000028	1	TILSLUTNINGSSLANGE TRITON	KEW FROM 15.03.01	4005337004
18	1801075	1	TÆTNINGSSKIVE 3/8" RG	KEW FROM 15.03.01	5701715027
19	106402075	1	LYNKOBLING, KOMPL.	KEW FROM 15.03.01	5701715294
20	1118132	1	O-RINGSSÆT F.LYNKOBLING	KEW FROM 15.03.01	5701715019
21	63787	1	SLANGERULLE WAP TEKNOLOGI	WAP	4005337637
22	301000313	1	KOBLINGSSÆT F. TRITON	WAP	4005337672
23	65574	1	SLANGETROMLE 30CA	KEW FROM 15.03.01	4005337655
24	301000312	1	TILSLUTNINGSSÆT 3/8	KEW	4005337672
25	106402502	1	SLANGEAFLASTNING		5701715295
26	106402503	1	STIFT ERGO		5701715295
27	909100126	1	MØTRIK, M27X1,5 X 7 S		4005337679