

Pro. acces. - Spray handles & hoses

Model:
Spray handles and
hoses

Accessories

Styklister Dansk

01-11-2012

Indholdsfortegnelse

Pro. acces. - Spray handles & hoses

| | |
|---|-----------|
| ERGO 3000 Spray handle with swivel lock - from 15. | 3 |
| ERGO 3000 Spray handle - from 01.02.02 | 5 |
| ERGO 2000 Spray handle | 7 |
| ERGO 2000 VP Spray handle | 9 |
| ERGO 1000 Spray handle | 11 |
| HOSES Overview | 13 |
| Spray handle with hose - up to 01.02.02 | 15 |
| Spray handle with swivel - up to 01.02.02 | 17 |
| Spray handle with pressure relief - up to 01.02.02 | 19 |
| Spray handle B9 and B5 | 21 |
| Spray handle B5 | 23 |
| Spray handle with hose HIGH FLOW | 25 |
| Weeping winter gun | 27 |
| Weeping winter gun old type | 29 |

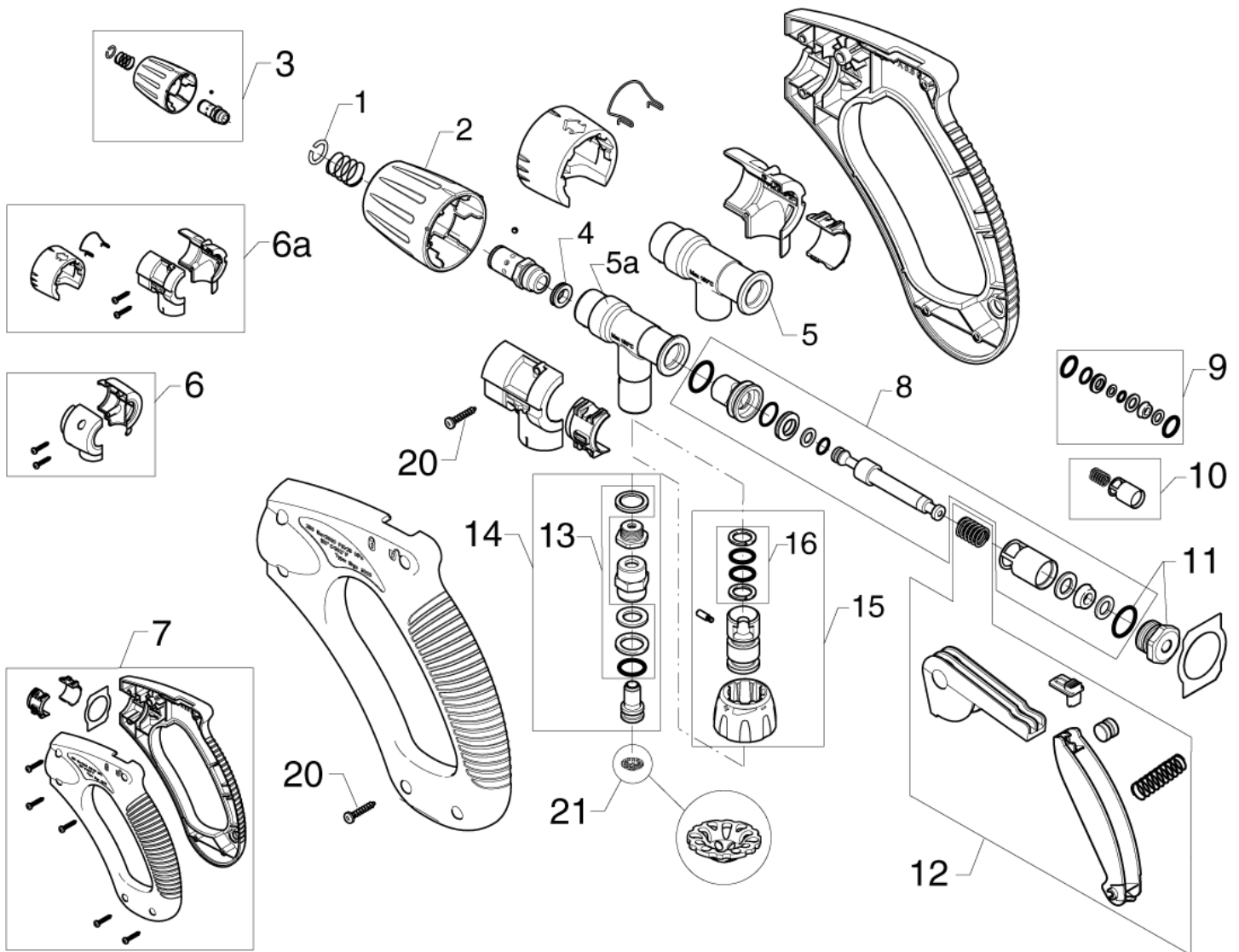
ERGO 3000 Spray handle with swivel lock - front

Pro. acces. - Spray handles & hoses

01-11-2012

StyMiste ID
HANDLEVERSION202

3



ERGO 3000 Spray handle with swivel lock - froi

Pro. acces. - Spray handles & hoses

01-11-2012

Styliste ID
HANDLEVERSION202

4

| Pos | Vare nr. | Ant | Beskrivelse | |
|-----|-----------|-----|---------------------------|-------------|
| - | 106402190 | 1 | Spulehåndtag Ergo 3000 | 15.09.03 > |
| - | 106402191 | 1 | Spulehåndtag, Variopress | 15.09.03 > |
| 1 | 1800192 | 1 | Låsering Ø18,2X2 Rf | |
| 2 | 106402460 | 1 | Udløser Ergo 3000 | |
| 3 | 101119483 | 1 | Rep.Sæt Udløsergreb | |
| 4 | 3000924 | 1 | U-Manchet | |
| 5 | 106402451 | 1 | Ventilhus F. Ergo 3000 | |
| 6 | 101119481 | 1 | Rep.Sæt Skaller F. Vent.H | 15.09.03 > |
| 7 | 101119480 | 1 | Rep. Sæt Pistolgreb Ergo | |
| 8 | 101119486 | 1 | Rep.Sæt Ventil Ergo | |
| 9 | 101119488 | 1 | Rep. Sæt O-Ringe Ergo | |
| 10 | 101119489 | 1 | Afstandstykke & Fjeder | |
| 11 | 101119487 | 1 | Prop M. O-Ring | |
| 12 | 101119482 | 1 | Rep.Sæt Aftrækkergreb | |
| 13 | 101119485 | 1 | Rep.Sæt Drejeledstætning | |
| 14 | 101119484 | 1 | Rep. Sæt Drejeled Ergo | |
| 15 | 101119491 | 1 | Rep.Sæt Vario Press | VARIO PRESS |
| 16 | 101119492 | 1 | Rep.Sæt Tætning F. Vario | VARIO PRESS |
| 20 | 1814598 | 8 | Skrue | |
| 21 | 101609367 | 1 | Filter For Ergo 3000 | |
| 5A | 106402466 | 1 | Ventilhus Vario Press | VARIO PRESS |
| 6A | 101119490 | 1 | Skaller F. Ventilhus | > 15.09.03 |

ERGO 3000 Spray handle - from 01.02.02

Pro. acces. - Spray handles & hoses

01-11-2012

StyMiste ID
HANDLEVERSION102

6

| Pos | Vare nr. | Ant | Beskrivelse | |
|-----|-----------|-----|----------------------------|-------------|
| - | 106402070 | 1 | Spulehåndtag Ergo 3000 | 01.02.02 > |
| 1 | 1800192 | 1 | Låsering Ø18,2X2 Rf | |
| 2 | 106402460 | 1 | Udløser Ergo 3000 | |
| 3 | 101119483 | 1 | Rep.Sæt Udløsergreb | |
| 4 | 3000924 | 1 | U-Manchet | |
| 5 | 106402451 | 1 | Ventilhus F. Ergo 3000 | |
| 6 | 101119481 | 1 | Rep.Sæt Skaller F. Vent.H | |
| 7 | 101119480 | 1 | Rep. Sæt Pistolgreb Ergo | |
| 8 | 101119486 | 1 | Rep.Sæt Ventil Ergo | |
| 9 | 101119488 | 1 | Rep. Sæt O-Ringe Ergo | |
| 10 | 101119489 | 1 | Afstandstykke & Fjeder | |
| 11 | 101119487 | 1 | Prop M. O-Ring | |
| 12 | 101119482 | 1 | Rep.Sæt Aftrækkergreb | |
| 13 | 101119485 | 1 | Rep.Sæt Drejeledstætning | |
| 14 | 101119484 | 1 | Rep. Sæt Drejeled Ergo | |
| 15 | 101119497 | 1 | Rep. Sæt Vario Press | VARIO PRESS |
| 16 | 101119498 | 1 | Rep. Sæt Tætninger Vario | VARIO PRESS |
| 17 | 106402510 | 1 | Håndtag Vario Press | VARIO PRESS |
| 18 | 106402511 | 1 | VARIO PRESS BY -PASS ERGO | VARIO PRESS |
| 19 | 106402512 | 1 | VARIO PRESS AXEL ERGO 3000 | VARIO PRESS |
| 20 | 1814598 | 8 | Skrue | |

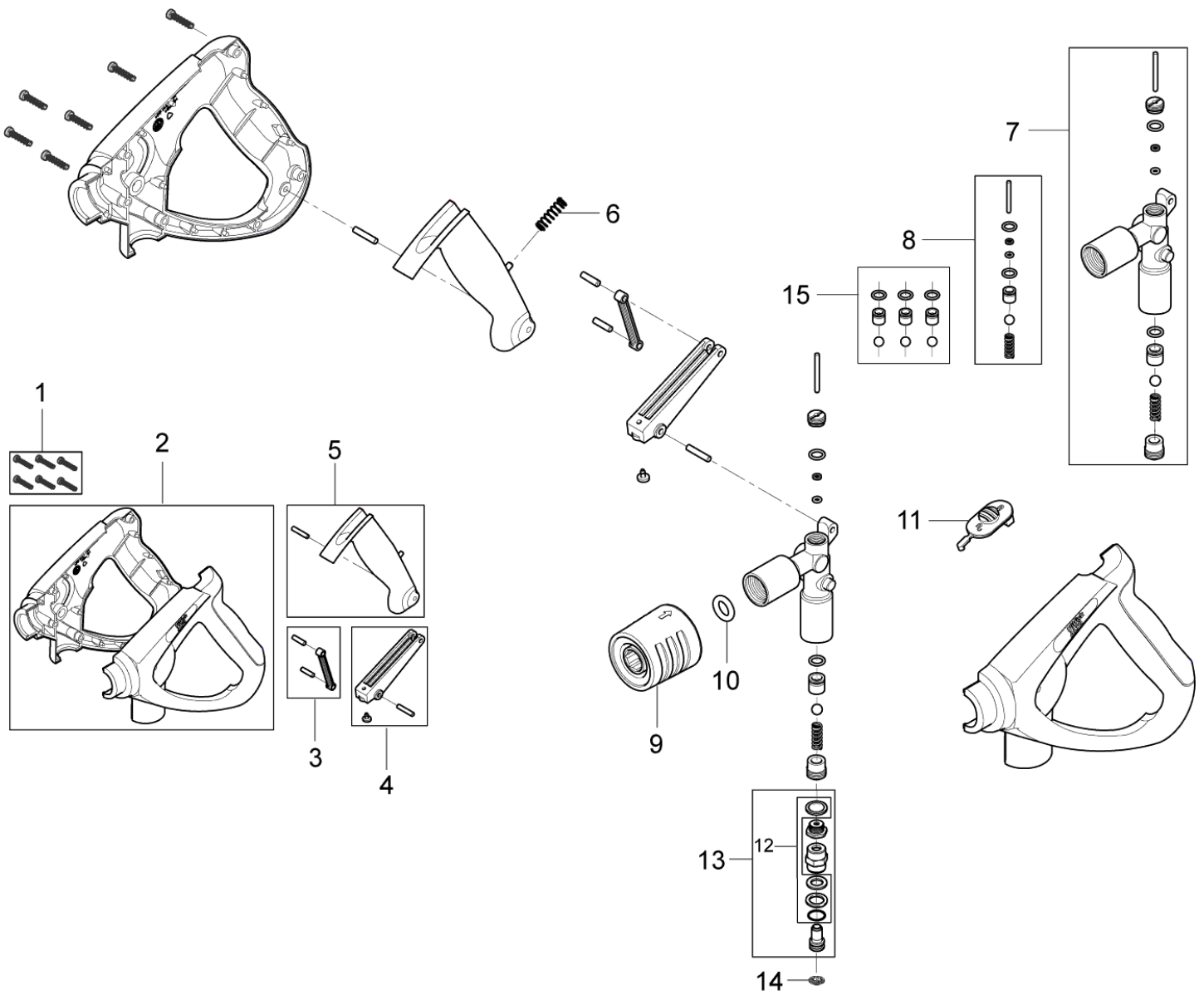
ERGO 2000 Spray handle

Pro. acces. - Spray handles & hoses

01-11-2012

StyMiste ID
HANDLE20002

7



ERGO 2000 Spray handle

Pro. acces. - Spray handles & hoses

01-11-2012

StyMiste ID
HANDLE2000Z

8

| Pos | Vare nr. | Ant | Beskrivelse |
|-----|-----------|-----|--------------------------|
| - | 106403122 | 1 | Spulehåndtag Ergo 2000 |
| 1 | 31000126 | 1 | TORX SCREW KIT |
| 2 | 31000132 | 1 | Housing Kit |
| 3 | 31000134 | 1 | Arm For Trigger Kit |
| 4 | 31000122 | 1 | Rocker Arm Kit |
| 5 | 31000135 | 1 | Udløsergreb |
| 6 | 31000131 | 1 | Spring |
| 7 | 31000154 | 1 | Valve Housing Kit |
| 8 | 31000121 | 1 | Valve Housing Gasket Kit |
| 9 | 31000145 | 1 | Koblingsstykke |
| 10 | 103004366 | 1 | O-Ring |
| 11 | 31000143 | 1 | TRIGGER LOCK |
| 12 | 101119485 | 1 | Rep.Sæt Drejeledstætning |
| 13 | 101119484 | 1 | Rep. Sæt Drejeled Ergo |
| 14 | 101609367 | 1 | Filter For Ergo 3000 |
| 15 | 31000305 | 1 | Reduced Valve Seat Kit |

See TSB and instruction sheet

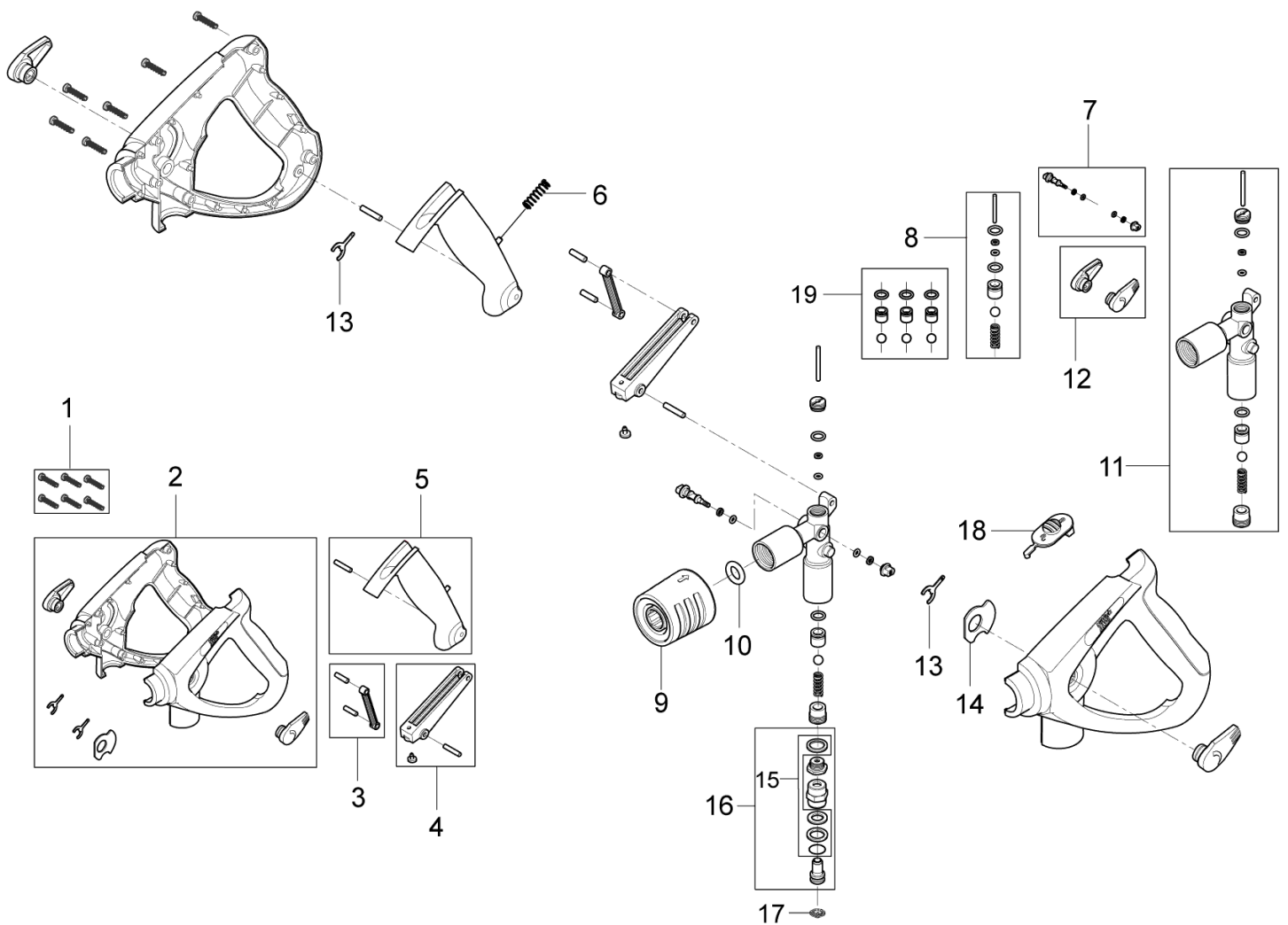
ERGO 2000 VP Spray handle

Pro. acces. - Spray handles & hoses

01-11-2012

StyMiste ID
HANDLE20004

9



ERGO 2000 VP Spray handle

Pro. acces. - Spray handles & hoses

01-11-2012

StyMiste ID
HANDLE20004

10

| Pos | Vare nr. | Ant | Beskrivelse |
|-----|-----------|-----|--|
| - | 106403123 | 1 | Spulehåndtag Ergo 2000 Incl. Vario Press INCL. VARIO PRESS |
| 1 | 31000126 | 1 | TORX SCREW KIT |
| 2 | 31000130 | 1 | SHELLS KIT 1 VP ALTO |
| 3 | 31000134 | 1 | Arm For Trigger Kit |
| 4 | 31000122 | 1 | Rocker Arm Kit |
| 5 | 31000135 | 1 | Udløsergreb |
| 6 | 31000131 | 1 | Spring |
| 7 | 301002496 | 1 | Pakningssæt Ergo 1000 Var |
| 8 | 31000121 | 1 | Valve Housing Gasket Kit |
| 9 | 31000145 | 1 | Koblingsstykke |
| 10 | 103004366 | 1 | O-Ring |
| 11 | 31000153 | 1 | VALVE HOUSING VP KIT |
| 12 | 31000136 | 1 | LEVER KIT VP BLUE |
| 13 | 31000139 | 1 | LOCK KIT 2 PCS |
| 14 | 31000138 | 1 | VP ADJ. WASHER |
| 15 | 101119485 | 1 | Rep.Sæt Drejeledstætning |
| 16 | 101119484 | 1 | Rep. Sæt Drejeled Ergo |
| 17 | 101609367 | 1 | Filter For Ergo 3000 |
| 18 | 31000143 | 1 | TRIGGER LOCK |
| 19 | 31000305 | 1 | Reduced Valve Seat Kit |

See TSB and instruction sheet

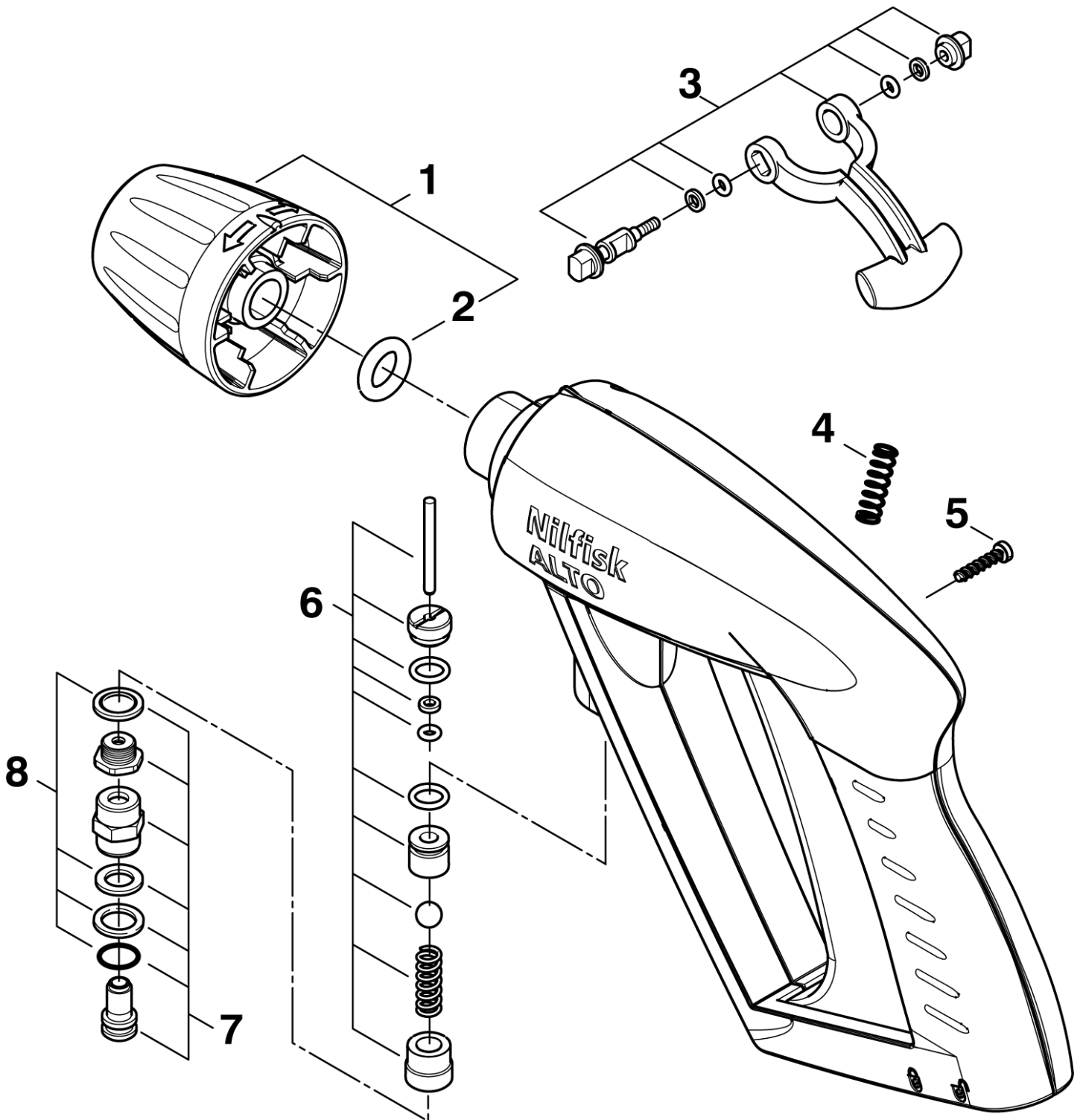
ERGO 1000 Spray handle

Pro. acces. - Spray handles & hoses

01-11-2012

StyMiste ID
HANDLEE1000

11



ERGO 1000 Spray handle

Pro. acces. - Spray handles & hoses

01-11-2012

StyMiste ID
HANDLEE1000

12

| Pos | Vare nr. | Ant | Beskrivelse |
|-----|-----------|-----|---|
| - | 301002411 | 1 | Spulehåndtag Ergo 1000 Variopress |
| - | | 1 | NOTE COMMENT ERGO 1000 - use 106403122 ERGO 2000 STANDARD W. HO |
| 1 | 301002497 | 1 | "Bayonet Locking Kit ""Ergo 1000"" 1000" |
| 2 | 103004366 | 1 | O-Ring |
| 3 | 301002496 | 1 | Pakningssæt Ergo 1000 Var |
| 4 | 301002447 | 1 | Spring Ø7,6Xø0,8X25,5 |
| 5 | 909100417 | 5 | SCREW TCTC M4.2X19 ST/ZN |
| 6 | 61041 | 1 | Gasket Set |
| 7 | 101119484 | 1 | Rep. Sæt Drejeled Ergo |
| 8 | 101119485 | 1 | Rep.Sæt Drejeledstætning |

HOSES Overview

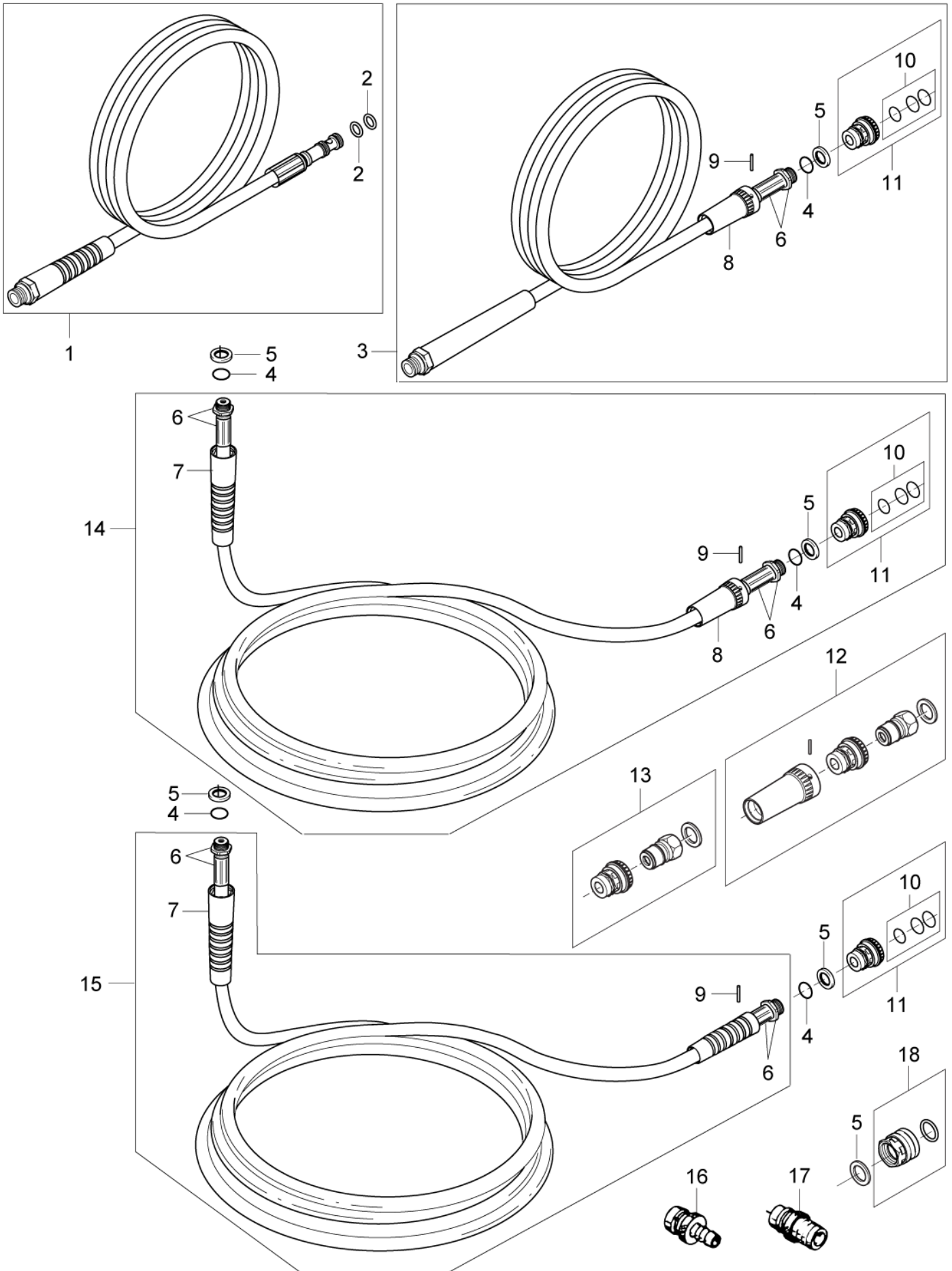
Pro. acces. - Spray handles & hoses

01-11-2012

StyMiste ID

HOSE02

13



HOSES Overview

Pro. acces. - Spray handles & hoses

01-11-2012

StyMiste ID

HOSE02

14

| Pos | Vare nr. | Ant | Beskrivelse | |
|-----|-----------|-----|------------------------------|-----------------------------------|
| 1 | 101117763 | 1 | Slange Dn6 15 Nept 2 | X-TRA for machines with hose reel |
| 2 | 3002144 | 2 | O-Ring 14,3X2,4 Nitril | X-TRA for machines with hose reel |
| 3 | 301002275 | 1 | Højtryksslange Dn6 10M. | |
| 4 | 3002003 | 2 | O-Ring 13,1X1,6 Nitril | |
| 5 | 1801075 | 2 | "Tætningsskive 3/8" Rg " | |
| 6 | 1119829 | 1 | Fittingsæt For Slange | |
| 7 | 2400125 | 1 | Slange Aflastning, Sort | Black |
| 7 | 2402394 | 1 | HOSE RELIEF LONG | Grey |
| 8 | 106402502 | 1 | HOSE RELIEF ERGO 3000 | |
| 9 | 106402503 | 1 | Stift Ergo | |
| 10 | 1118132 | 1 | O-Ringssæt F.Ly nkobling | |
| 11 | 106402075 | 1 | Ly nkobling, Kompl. | High pressure |
| 12 | 101119496 | 1 | Rep.Sæt Koblingsæt | High pressure |
| 13 | 101119499 | 1 | Koblingsæt Ergo 3000 | High pressure |
| 14 | 101405770 | 1 | "Slange 2W. 10M. 5/16" " | |
| 14 | 301000207 | 1 | Højtryksslange | X-TRA - without pos 7 and pos. 11 |
| 14 | 301001100 | 1 | "Slange 2W. 15M. 5/16" " | X-TRA - without pos. 8 |
| 14 | 301001101 | 1 | "Slange 2W. 20M. 5/16" " | X-TRA - without pos. 8 |
| 15 | 1401983 | 1 | 15 M. Sværtefri Slange | |
| 15 | 1401991 | 1 | 20 M. Sværtefri Slange | |
| 15 | 1402007 | 1 | 25 M. Sværtefri Slange | |
| 15 | 1402015 | 1 | 30 M. Sværtefri Slange | |
| 15 | 1402064 | 1 | Dampslange 15 M. | |
| 15 | 1402072 | 1 | Dampslange 20 M. | |
| 15 | 1402080 | 1 | Dampslange 25 M. | |
| 15 | 1402098 | 1 | Dampslange 30 M. | |
| 15 | 1402759 | 1 | Dampslange 50 M. | |
| 15 | 1402916 | 1 | Dampslange 1 M. | |
| 15 | 1402924 | 1 | Dampslange 2 Mtr. | |
| 15 | 1402932 | 1 | Dampslange 3 M. | |
| 15 | 1402940 | 1 | Dampslange 5 M. | |
| 15 | 6101766 | 1 | Dampslange 10 M. | |
| 15 | 6101767 | 1 | Sværtefri Slange 10 M. | |
| 16 | 1604669 | 1 | Ly nkoblingsnippel Lav tryk | Low pressure |
| 17 | 1600659 | 1 | Ly nkoblingsnippel | Low pressure |
| 18 | 1602945 | 1 | "Ly nkobling 3/4" Lav tryk " | Low pressure |

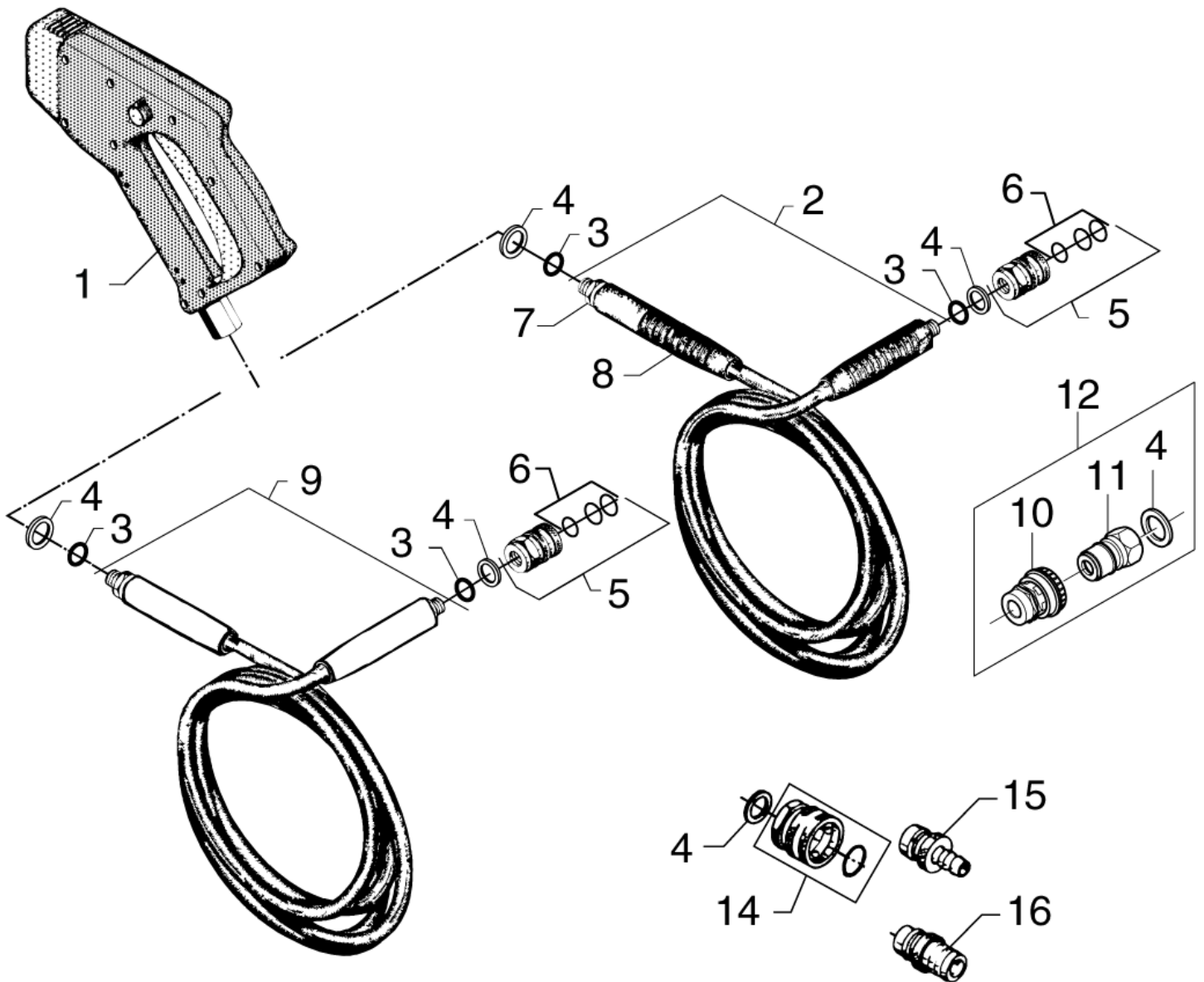
Spray handle with hose - up to 01.02.02

Pro. acces. - Spray handles & hoses

01-11-2012

StyMiste ID
HANDLEHOSEOLD02

15



Spray handle with hose - up to 01.02.02

Pro. acces. - Spray handles & hoses

01-11-2012

StyMiste ID
HANDLEHOSEOLD02

16

| Pos | Vare nr. | Ant | Beskrivelse | |
|-----|-----------|-----|------------------------------|--------------------------|
| 1 | 1117597 | 1 | Trykaf Pistolgreb | > 01.02.02] |
| 1 | 1119402 | 1 | Pistolgreb Alto | > 01.02.02] |
| 2 | 1401983 | 1 | 15 M. Sværtfri Slange | MAX 100°C |
| 2 | 1401991 | 1 | 20 M. Sværtfri Slange | MAX 100°C |
| 2 | 1402007 | 1 | 25 M. Sværtfri Slange | MAX 100°C |
| 2 | 1402015 | 1 | 30 M. Sværtfri Slange | MAX 100°C |
| 2 | 1402064 | 1 | Dampslange 15 M. | MAX 150°C |
| 2 | 1402072 | 1 | Dampslange 20 M. | MAX 150°C |
| 2 | 1402080 | 1 | Dampslange 25 M. | MAX 150°C |
| 2 | 1402098 | 1 | Dampslange 30 M. | MAX 150°C |
| 2 | 6101766 | 1 | Dampslange 10 M. | MAX 150°C |
| 2 | 6101767 | 1 | Sværtfri Slange 10 M. | MAX 100°C |
| 3 | 3002003 | 1 | O-Ring 13,1X1,6 Nitril | |
| 4 | 1801075 | 2 | "Tætningsskive 3/8" Rg " | |
| 5 | | 1 | NOTE COMMENT | USE REF. 10 |
| 6 | 1118132 | 1 | O-Ringssæt F.Ly nkobling | |
| 7 | 1119829 | 1 | Fittingsæt For Slange | |
| 8 | 2400125 | 1 | Slange Aflastning, Sort | |
| 9 | 1405569 | 1 | "Slange 1W 10M. 5/16" " | PROFESSIONAL, 30HA, 30CA |
| 10 | 106402075 | 1 | Ly nkobling, Kompl. | HIGH PRESSURE |
| 11 | 1600493 | 1 | "Ly nkoblingsnippel 3/8" " | HIGH PRESSURE |
| 11 | 1603101 | 1 | Ly nkoblingsnippel, Rf | HIGH PRESSURE, |
| 12 | 101119499 | 1 | Koblingsæt Ergo 3000 | |
| 14 | 1602945 | 1 | "Ly nkobling 3/4" Lav tryk " | LOW PRESSURE |
| 15 | 1604669 | 1 | Ly nkoblingsnippel Lav tryk | LOW PRESSURE |
| 16 | 1600659 | 1 | Ly nkoblingsnippel | LOW PRESSURE |

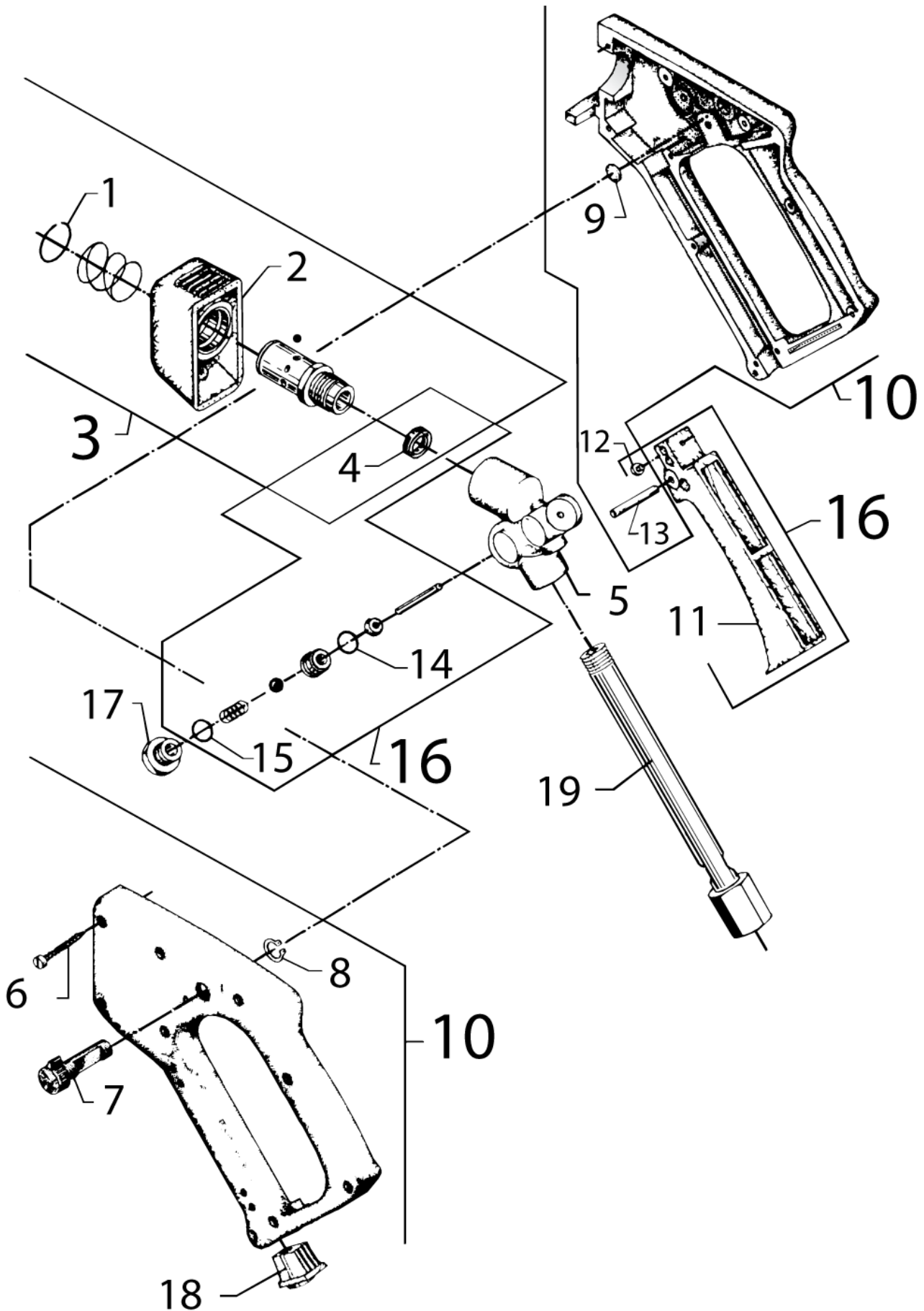
Spray handle with swivel - up to 01.02.02

Pro. acces. - Spray handles & hoses

01-11-2012

StyMiste ID
HANDLEOLD02

17



Spray handle with swivel - up to 01.02.02

Pro. acces. - Spray handles & hoses

01-11-2012

StyMiste ID
HANDLEOLDU2

18

| Pos | Vare nr. | Ant | Beskrivelse |
|-----|-----------|-----|---------------------------------|
| - | 1119402 | 1 | Pistolgreb Alto |
| 1 | 1800192 | 1 | Låsering Ø18,2X2 Rf |
| 2 | 4000444 | 1 | Udløser Alto |
| 3 | 1118066 | 1 | Rep.Sæt F. Udløsergreb |
| 4 | 3000924 | 1 | U-Manchet |
| 5 | 3400397 | 1 | Ventilhus F. Spulehåndtag |
| 6 | 101814698 | 9 | Skrue |
| 7 | 4000063 | 1 | SAFETY DEVICE |
| 8 | 1800200 | 1 | SEEGER CIRCLIP U10X1 DIN 471 RF |
| 9 | 4600730 | 1 | FOAM WASHER FOR SAFETY/SPRAY |
| 10 | 1118108 | 1 | Rep.Sæt Greb |
| 11 | 4000445 | 1 | Greb For Ventil Alto |
| 12 | 3400413 | 1 | Tryknippel, Rustfri |
| 13 | 3400421 | 1 | Stift F. Ventilgreb |
| 14 | 3000072 | 1 | O-Ring 10,1X1,6 Nitril |
| 15 | 3000064 | 1 | O-Ring 14,1X1,6 Nitril |
| 16 | 1118074 | 1 | Rep.Sæt Ventilhus/Greb |
| 17 | 3400439 | 1 | Styreprop |
| 18 | 6401746 | 1 | ADAPTOR FOR SPRAYHANDLE |
| 19 | 1405398 | 1 | Drejeled |

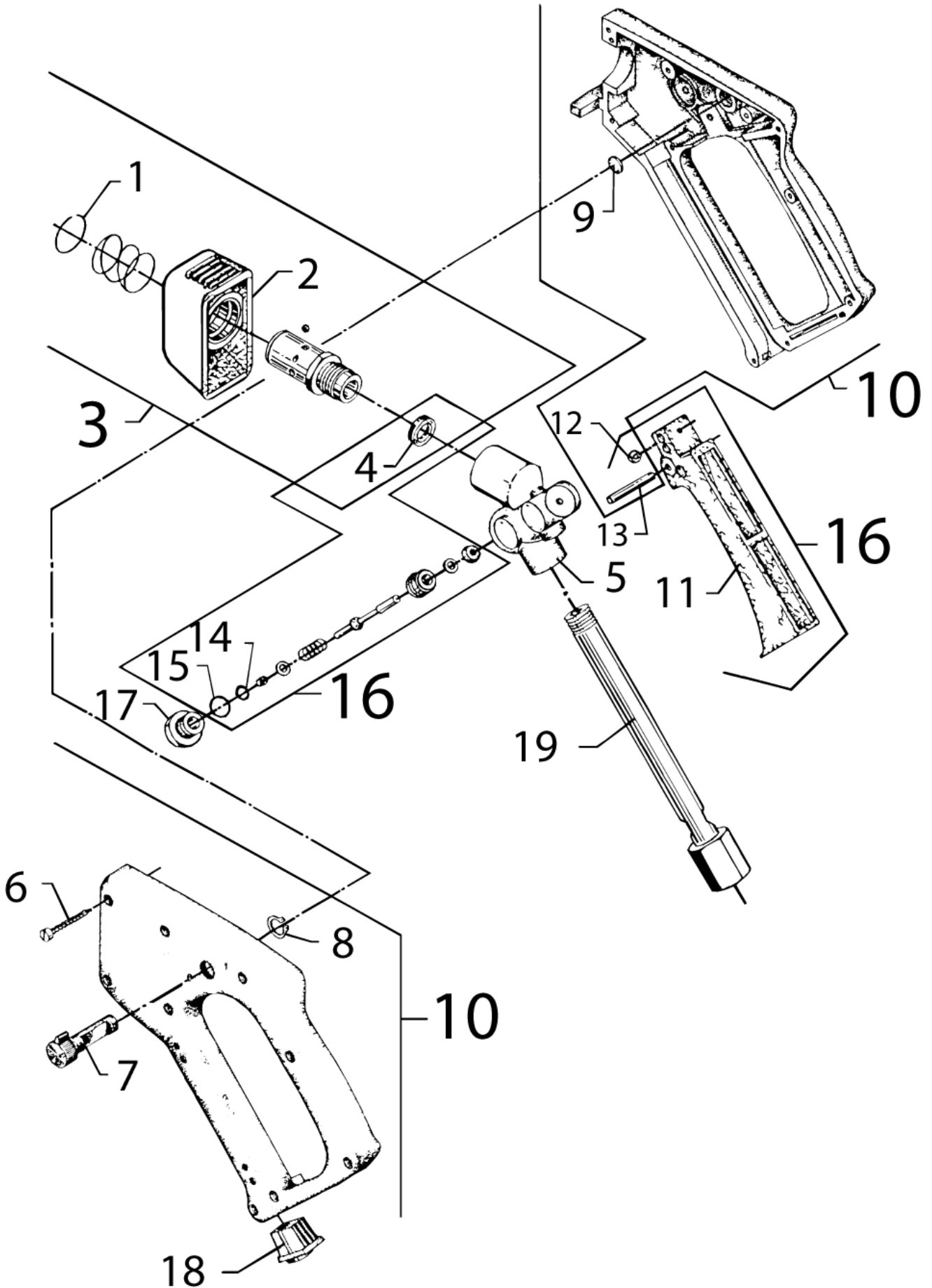
Spray handle with pressure relief - up to 01.02.

Pro. acces. - Spray handles & hoses

01-11-2012

StyMiste ID
HANDLERELIEFOLD02

19



Spray handle with pressure relief - up to 01.01

Pro. acces. - Spray handles & hoses

01-11-2012

Stykliste ID
HANDLERELIEFOLDU2

20

| Pos | Vare nr. | Ant | Beskrivelse |
|-----|-----------|-----|--|
| - | 1117597 | 1 | Try kaf I Pistolgreb |
| 1 | 1800192 | 1 | Låsering Ø18,2X2 Rf |
| 2 | 4000444 | 1 | Udløser Alto |
| 3 | 1118066 | 1 | Rep.Sæt F. Udløsergreb |
| 4 | 3000924 | 1 | U-Manchet |
| 5 | 6300903 | 1 | VALVE HOUSE. MACHINED |
| 6 | 101814698 | 9 | Skrue |
| 7 | 4001160 | 1 | SAFETY F. PRESSURE RELIEVE F. SPRAY LANC |
| 8 | 1800200 | 1 | SEEGER CIRCLIP U10X1 DIN 471 RF |
| 9 | 4600730 | 1 | FOAM WASHER FOR SAFETY/SPRAY |
| 10 | 1118108 | 1 | Rep.Sæt Greb |
| 11 | 4000445 | 1 | Greb For Ventil Alto |
| 12 | 3400413 | 1 | Tryknippel, Rustfri |
| 13 | 3400421 | 1 | Stift F. Ventilgreb |
| 14 | 3001187 | 1 | O-Ring 5,6X2,4 Nitril |
| 15 | 3000064 | 1 | O-Ring 14,1X1,6 Nitril |
| 16 | 1118140 | 1 | Rep.Sæt F.Try kaf I.Spuleh |
| 17 | 6300900 | 1 | NUT F. SPRAY HANDLE |
| 18 | 6401746 | 1 | ADAPTOR FOR SPRAYHANDLE |
| 19 | 1405398 | 1 | Drejeled |

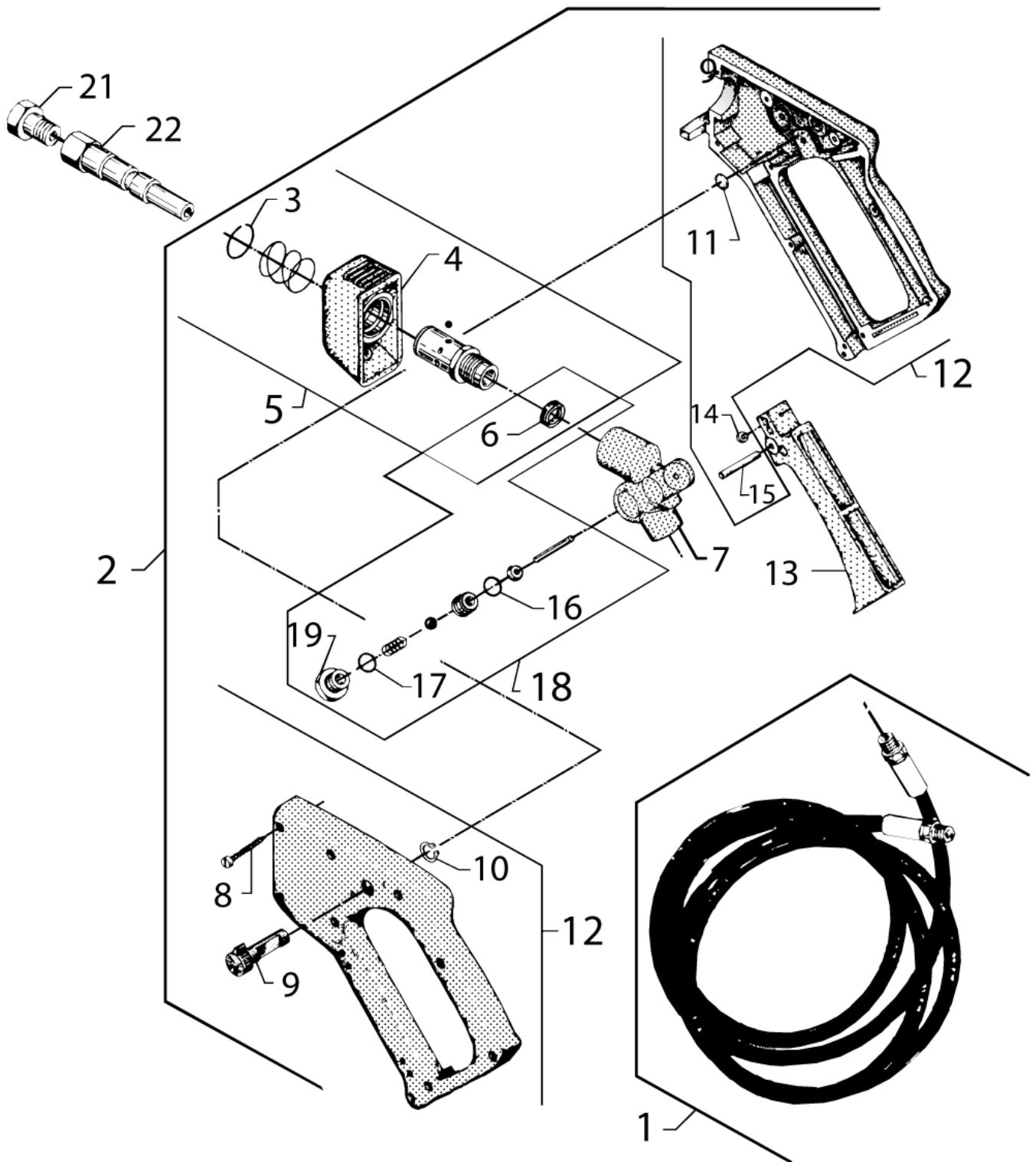
Spray handle B9 and B5

Pro. acces. - Spray handles & hoses

01-11-2012

StyMiste ID
HANDLEB902

21



Spray handle B9 and B5

Pro. acces. - Spray handles & hoses

01-11-2012

StyMiste ID
HANDLEB90Z

22

| Pos | Vare nr. | Ant | Beskrivelse |
|-----|-----------|-----|--|
| 1 | 1404508 | 1 | Slange F. Spulehåndtag B5 01.12.92 > |
| 2 | 1117624 | 1 | Spulehåndtag Komp. B5/B9 |
| 3 | 1800192 | 1 | Låsering Ø18,2X2 Rf |
| 4 | 4000444 | 1 | Udløser Alto |
| 5 | 1118066 | 1 | Rep.Sæt F. Udløsergreb |
| 6 | 3000924 | 1 | U-Manchet |
| 7 | 3400397 | 1 | Ventilhus F. Spulehåndtag |
| 8 | 101814698 | 9 | Skrue |
| 9 | 4000063 | 1 | SAFETY DEVICE |
| 10 | 1800200 | 1 | SEEGER CIRCLIP U10X1 DIN 471 RF |
| 11 | 4600730 | 1 | FOAM WASHER FOR SAFETY/SPRAY |
| 12 | 1118108 | 1 | Rep.Sæt Greb |
| 13 | 4000445 | 1 | Greb For Ventil Alto |
| 14 | 3400413 | 1 | Tryknippel, Rustfri |
| 15 | 3400421 | 1 | Stift F. Ventilgreb |
| 16 | 3000072 | 1 | O-Ring 10,1X1,6 Nitril |
| 17 | 3000064 | 1 | O-Ring 14,1X1,6 Nitril |
| 18 | 1119268 | 1 | Rep.Sæt F. Ventilhus B5 |
| 19 | 3400439 | 1 | Styreprop |
| 21 | 2800001 | 1 | Brusedyse B5/B9 |
| 22 | 1609325 | 1 | Lynkoblingsnippel Rf |

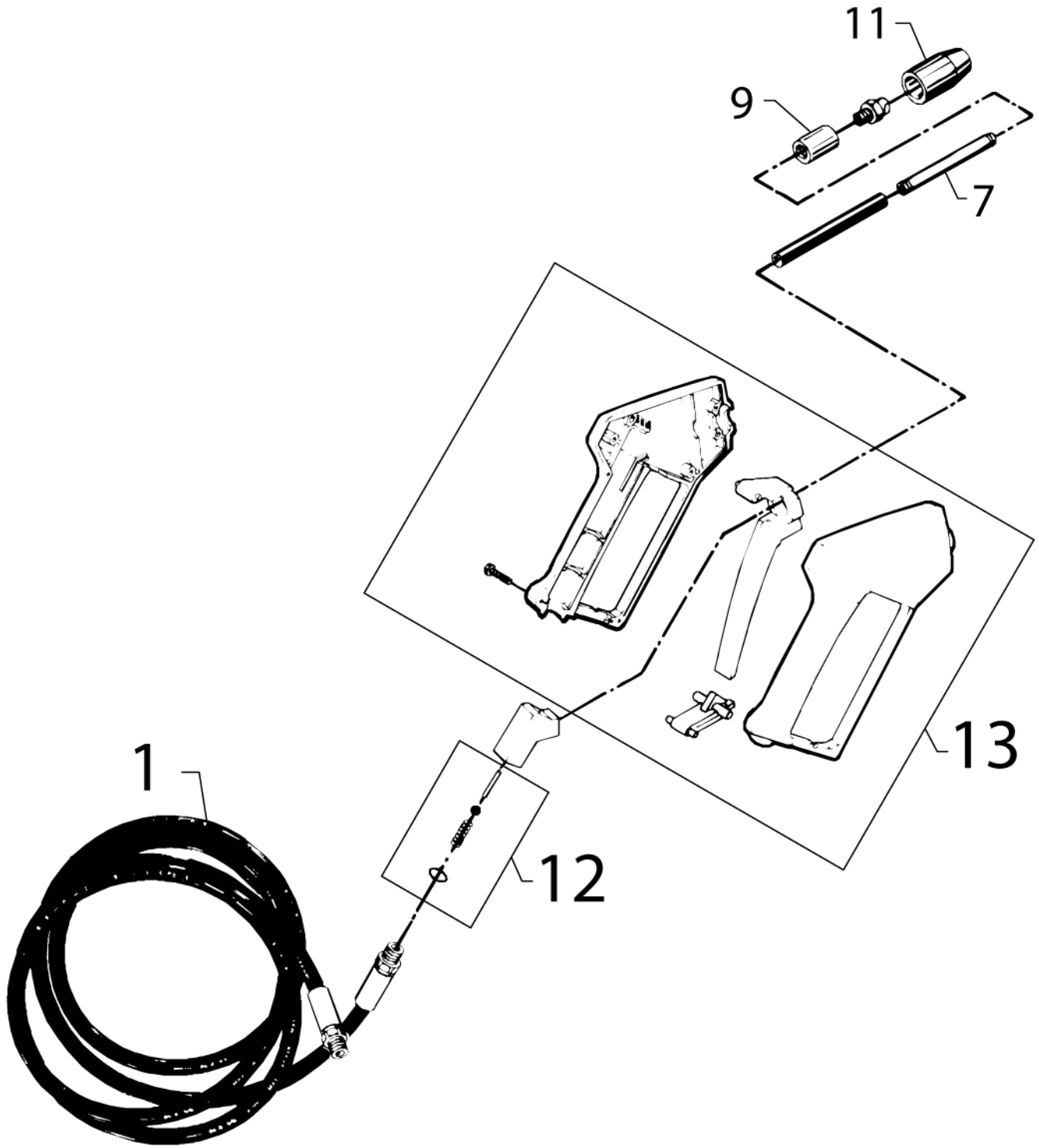
Spray handle B5

Pro. acces. - Spray handles & hoses

01-11-2012

StyMiste ID
HANDLEB502

23



Spray handle B5

Pro. acces. - Spray handles & hoses

01-11-2012

Stykliste ID
HANDLEB502

24

| Pos | Vare nr. | Ant | Beskrivelse |
|-----|----------|-----|--------------------------------------|
| 1 | 1404508 | 1 | Slange F. Spulehåndtag B5 > 01.12.92 |
| 7 | 2400000 | 1 | Indvendig Rør Ø13X2X160Mm |
| 9 | 1608801 | 1 | "Muffe 1/4" " |
| 11 | 2800076 | 1 | Dysebeskytter Enkel |
| 12 | 1119267 | 1 | REP.KIT SPRAY HANDLE B5 |
| 13 | 6481961 | 1 | Spulehåndtag M. Slange 6M |

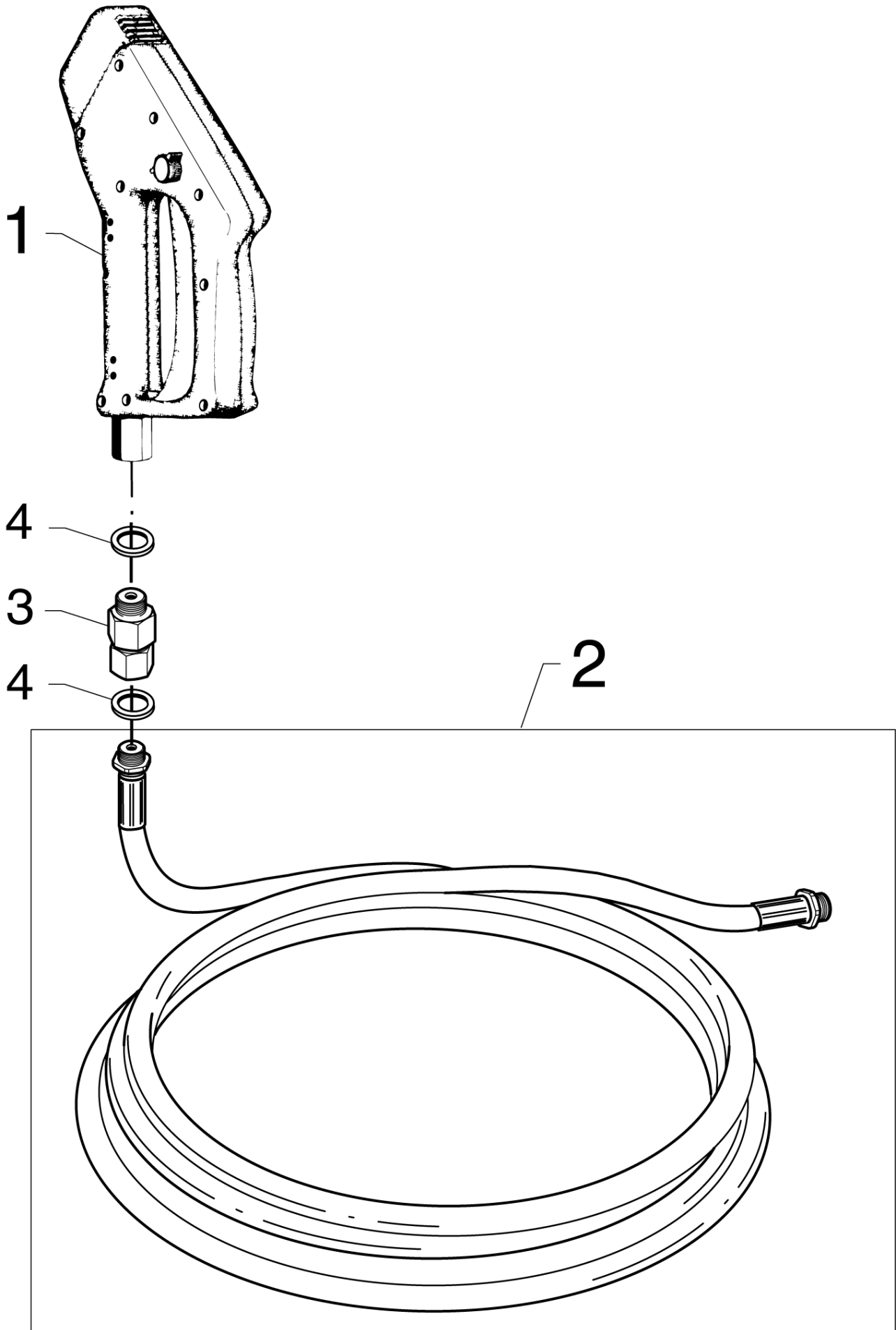
Spray handle with hose HIGH FLOW

Pro. acces. - Spray handles & hoses

01-11-2012

StyMiste ID
HIGHFLOWHANDLE02

25



Spray handle with hose HIGH FLOW

Pro. acces. - Spray handles & hoses

01-11-2012

StyMiste ID
HIGHFLOWHANDLE02

26

| Pos | Vare nr. | Ant | Beskrivelse |
|-----|----------|-----|-----------------------------|
| 1 | 1117597 | 1 | Try kaf I Pistolgreb |
| 2 | 4810213 | 1 | "Dampslange 1/2" 15M. " |
| 2 | 4810214 | 1 | "½" Dampslange Komp. 20M. " |
| 2 | 4810219 | 1 | "½" Dampslange Komp. 10M. " |
| 3 | 4808066 | 1 | "Try kdrejeled 3/8" " |
| 4 | 1801075 | 2 | "Tætningsskive 3/8" Rg " |

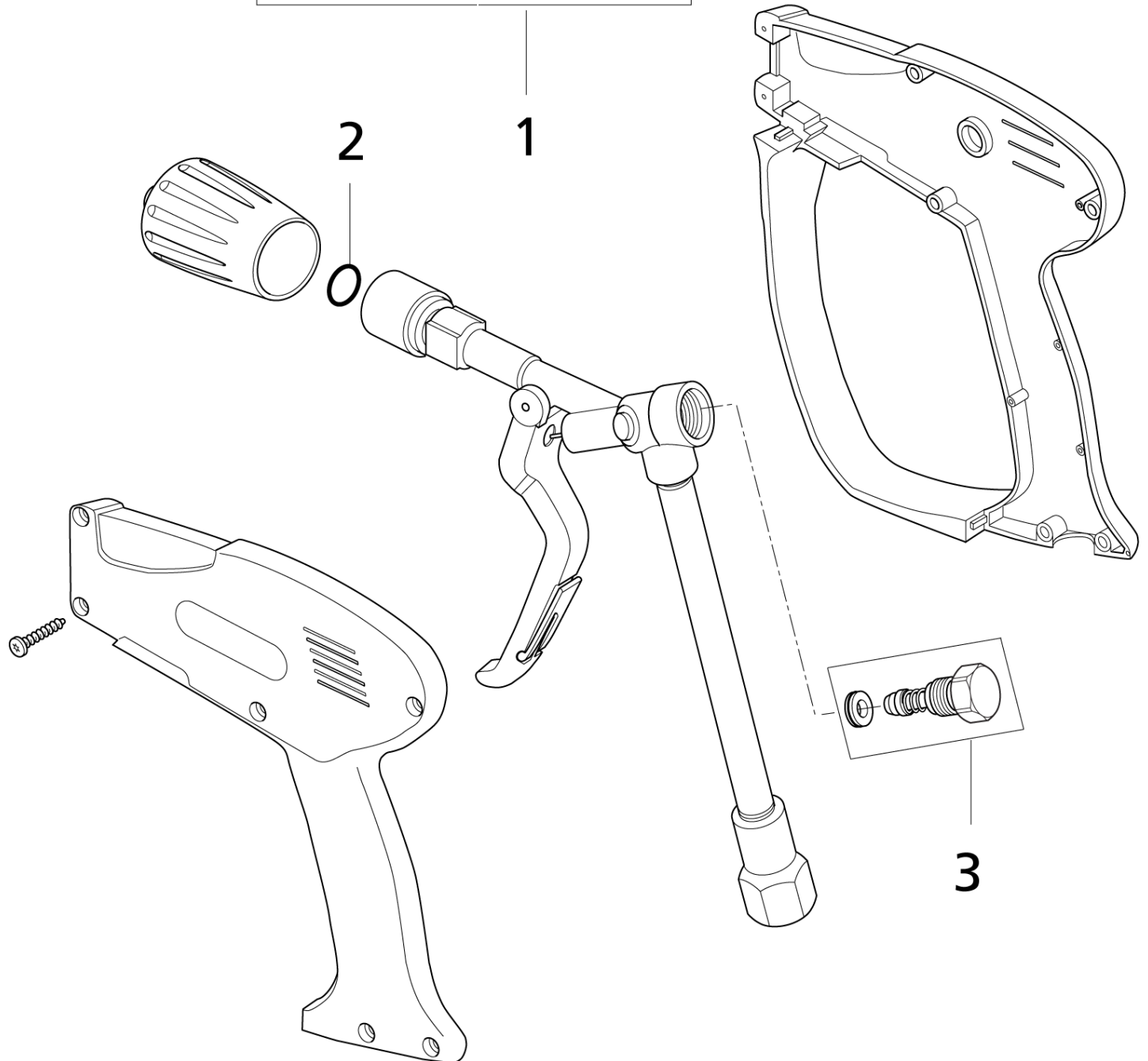
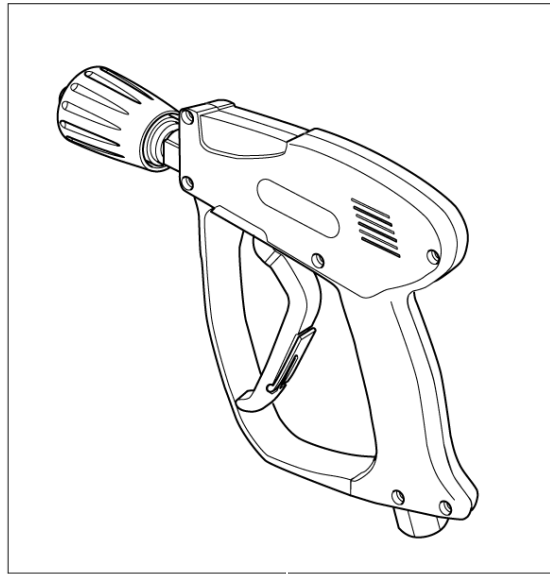
Weeping winter gun

Pro. acces. - Spray handles & hoses

01-11-2012

StyMiste ID
WINTHERHANDLE02

27



Weeping winter gun

Pro. acces. - Spray handles & hoses

01-11-2012

Stykliste ID
WIN I HERHANDLEUZ

28

| Pos | Vare nr. | Ant | Beskrivelse |
|-----|-----------|-----|---------------------------|
| 1 | 106402243 | 1 | Spulehåndtag, Frostsikret |
| 2 | 103004366 | 1 | O-Ring |
| 3 | 106408048 | 1 | Sæt F. Vinterspulehåndtag |

Weeping winter gun old type

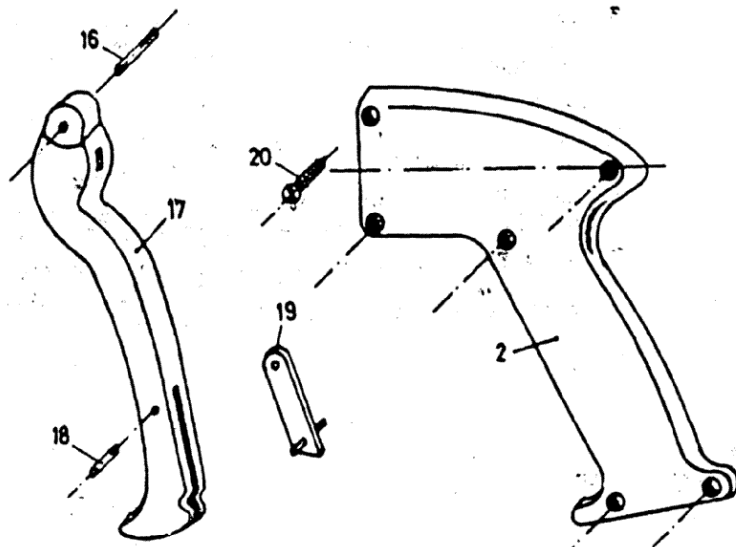
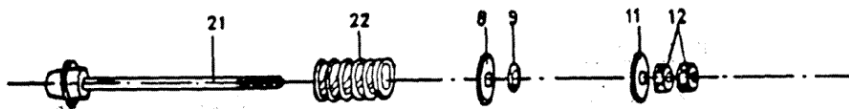
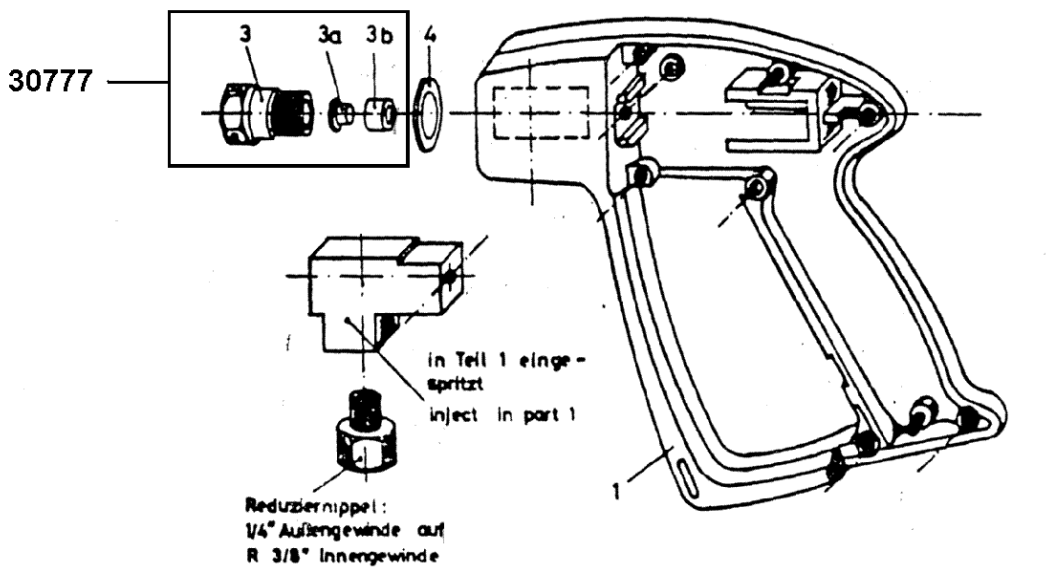
Pro. acces. - Spray handles & hoses

01-11-2012

StyMiste ID
WINTHERHANDLE03

29

Repair Kit 30784 contains position no. : 3, 3a +3b, 4, 8, 9,11, 12, 21, 22



Weeping winter gun old type

Pro. acces. - Spray handles & hoses

01-11-2012

Stykliste ID
WINTERHANDLE03

30

| Pos | Vare nr. | Ant | Beskrivelse |
|-----|----------|-----|--------------------------|
| 0 | 30784 | 1 | GASKET SET FOR 20855 |
| 3 | 30777 | 1 | PIPE CONN. PIECE |
| 4 | 11365 | 1 | PACKING RING 16.7X24X1.5 |
| 9 | 30772 | 1 | O-RING 3.3 X2.4 |
| 21 | 10799 | 1 | PISTON |
| 100 | 20855 | 1 | WINTER GUN |