

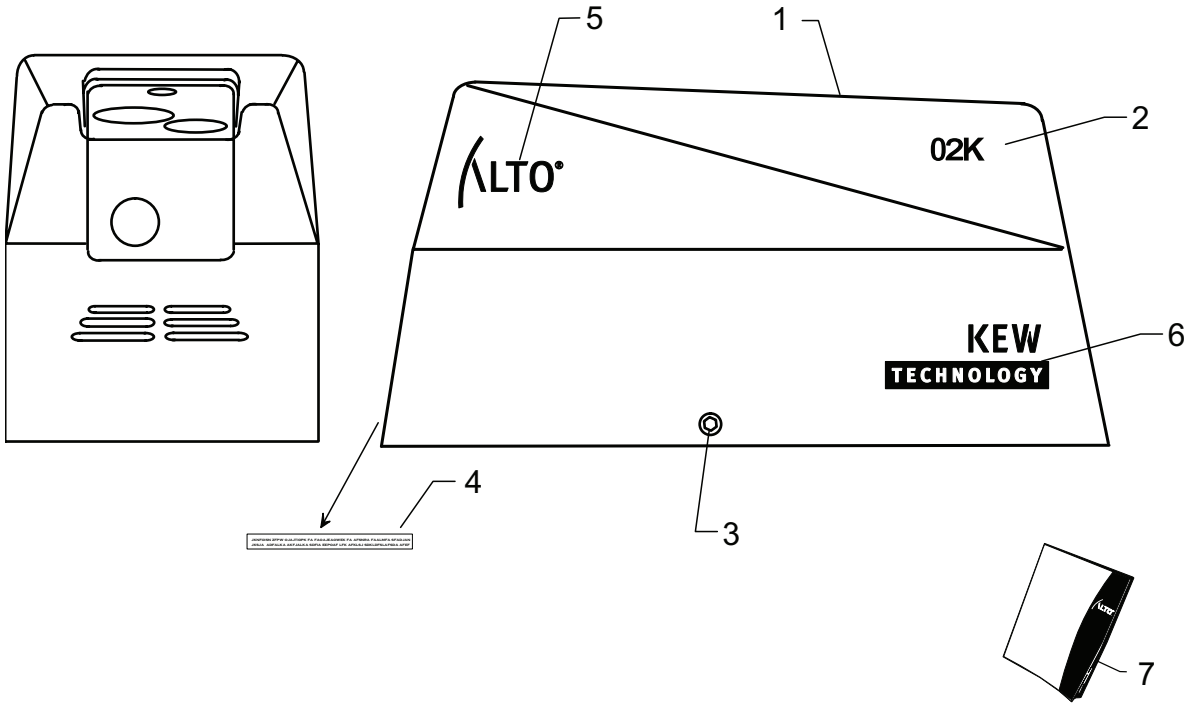
02K 02KL



ALTO®

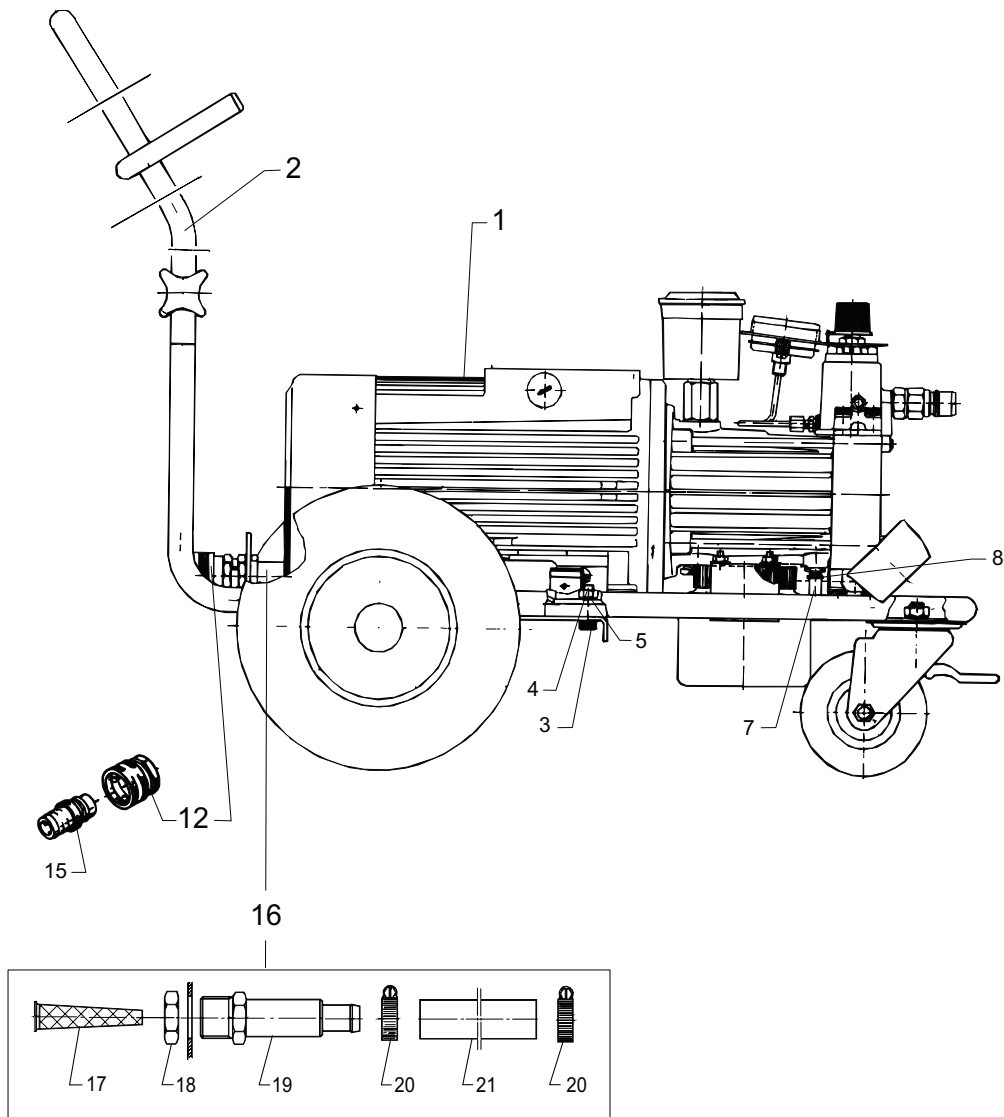
Total Cleaning
Confidence™

Reserve de le
Spare parts
Ersatzteile
Pièces détachées

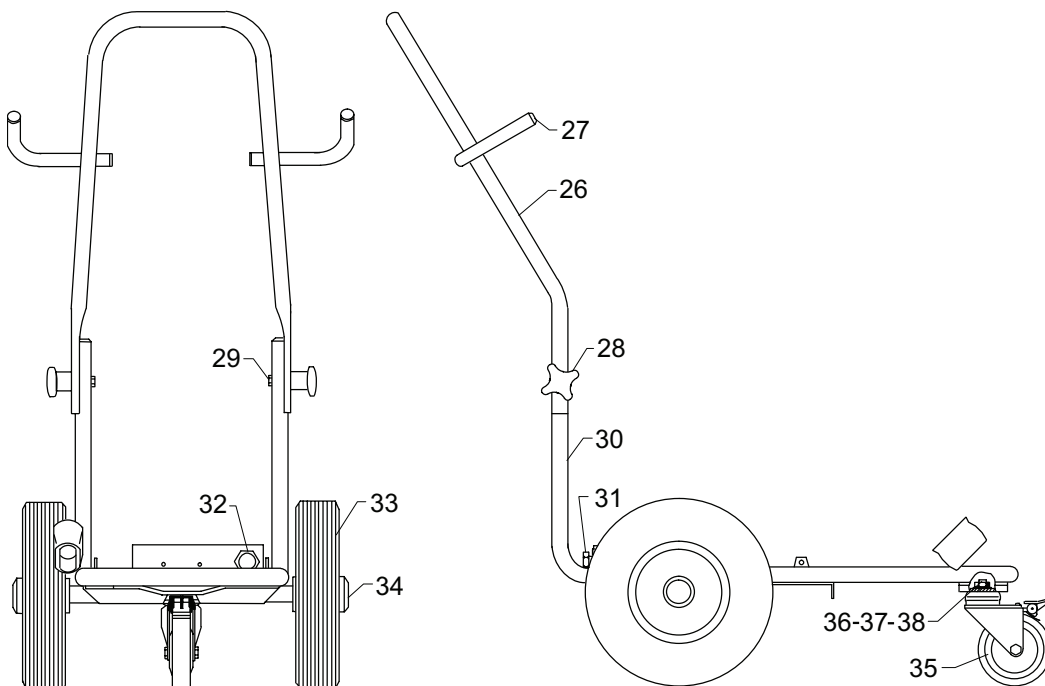


| Pos. Ref. | Nr. No. | Betegnelse Bezeichnung | Designation Désignation | 1002K | 1702K | 3002KL |
|-----------|---------|--|----------------------------|-------|-------|--------|
| - | - | Kabinet, komplet Cabinet, compl. Gehäuse, kompl. Capot, compl. | | x | x | x |
| 1 | 6150994 | Kabinet Cabinet Gehäuse Capot | | 1 | 1 | |
| 2 | 6155915 | Logo Logo Logo Logo | 1002K | 2 | | |
| 2 | 6155916 | Logo Logo Logo Logo | 1702K | | 2 | |
| 2 | 6152900 | Logo Logo Logo Logo | 3002KL | | | 2 |
| 3 | 1803592 | Skrue Screw Schraube Vis | | 2 | 2 | 2 |
| 3 | 1804228 | Skrue, RF Screw, SS Schraube, RF Vis, INOX | | 2 | 2 | 2 |
| 4 | 6155900 | Betjeningsvejledning Instruction for use Bedienungsanleitung Notice d'utilisation | | 1 | 1 | 1 |
| 5 | 6155913 | ALTO logo ALTO logo ALTO logo ALTO logo | | 2 | 2 | 2 |
| 6 | 6155914 | KEW TECHNOLOGY logo KEW TECHNOLOGY logo KEW TECHNOLOGY logo KEW TECHNOLOGY logo | | 2 | 2 | 2 |
| 7 | 6159006 | Instruktionsbog Instruction manual Betriebsanweisung Livret d'instructions | | x | x | |
| | | | | | | |
| | | | | | | |
| | | | | | | |
| | | | | | | |
| | | | | | | |
| | | | | | | |
| | | | | | | |
| | | | | | | |
| | | | | | | |
| | | | | | | |
| | | | | | | |
| | | | | | | |

| Pos. Ref. | Nr. No. | Betegnelse Bezeichnung | Designation Désignation | 1002K | 1702K | 3002KL |
|-----------|---------|---------------------------|----------------------------|-------|-------|--------|
| | | | | | | |
| | | | | | | |
| | | | | | | |
| | | | | | | |
| | | | | | | |
| | | | | | | |
| | | | | | | |
| | | | | | | |
| | | | | | | |
| | | | | | | |
| | | | | | | |
| | | | | | | |
| | | | | | | |
| | | | | | | |
| | | | | | | |
| | | | | | | |
| | | | | | | |
| | | | | | | |
| | | | | | | |
| | | | | | | |
| | | | | | | |
| | | | | | | |

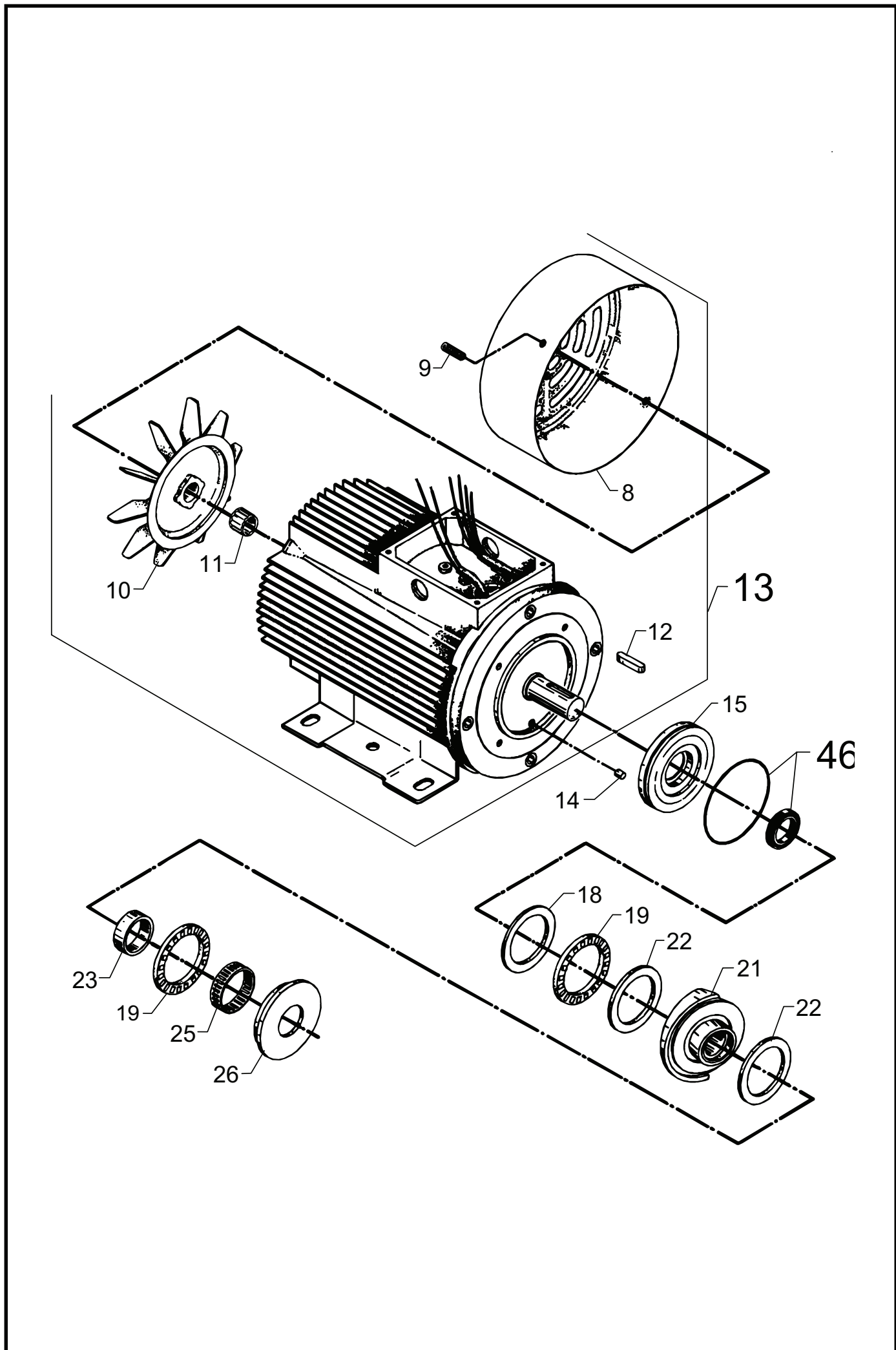


2



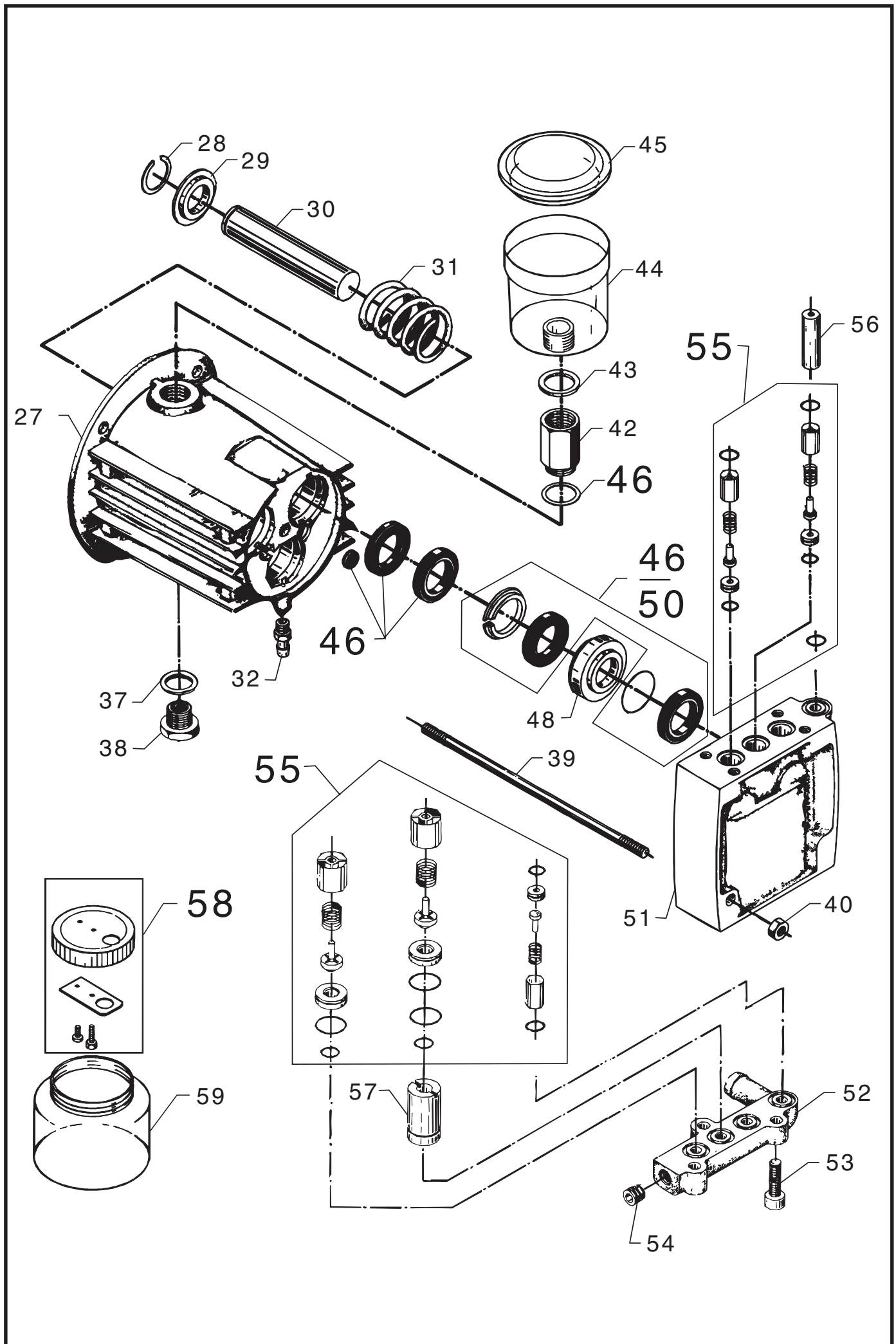
| Pos. Ref. | Nr. No. | Betegnelse Bezeichnung | Designation Désignation | 1002K | 1702K | 3002KL |
|-----------|---------|--|----------------------------|--|-------|--------|
| - | - | Motorpumpeenhed i stel Motor-pump unit mounted in chassis Motorp.einheit mont. in Rahmen Unité de moteur-pompe et châssis | | | | |
| 1 | - | Motorpumpeenhed, kompl. Motor pump unit, compl. Motorpumpeneinheit, kompl. Groupe électropompe, compl. | | Se side 8 See page 8 SieheSeite 8 Voir page 8 | | |
| 2 | - | Stel, kompl. Chassis, compl. Rahmen, kompl. Châssis, compl. | | Se side 6 See page 6 SieheSeite 6 Voir page 6 | | |
| 3 | 1803352 | Skrue Screw Schraube Vis | M10x20 | | 4 | 4 |
| 4 | 1800465 | Møtrik Nut Mutter Ecrou | M10 | 4 | 4 | 4 |
| 5 | 1801968 | Skive Washer Scheibe Rondelle | M10 | 4 | 4 | 4 |
| 7 | 2402352 | Slange Hose Schlauch Tuyau | | 1 | 1 | 1 |
| 8 | 2600419 | Slangeklemme Hose clip Schlauchbinder Collier de serrage | | 1 | 1 | 1 |
| 12 | 1602945 | Lynkobling, kompl. Quick coupling, compl. Schnellkupplung, Kompl. Coupleur rapide, compl. | | x | x | x |
| 15 | 1600659 | Lynkoblingsnippel, 3/4" Quick coupling nipple, 13/4" Schnellkupplungsnippel, 3/4" Coupleur rapide mâle, 3/4" | | 1 | 1 | 1 |
| 15 | 1602473 | Lynkoblingsnippel, 5/8" Quick coupl. nipple, 5/8" Schnellkupplungsnippel, 5/8" Coupleur rapide mâle, 5/8" | CH | 1 | 1 | 1 |
| 16 | - | Vandtilgang, kompl. Water, inlet, compl. Einlaß f. Wasser, Kompl. Tube d'admission, compl. | | x | x | x |
| 17 | 6100941 | Filter Filter Filter Filtre | | 1 | 1 | 1 |
| 18 | 1800341 | Kontramøtrik Lock nut Gegenmutter Contre écrou | | 1 | 1 | 1 |
| 19 | 6100937 | Filterhus Housing f. filter Filtergehäuse Gaine de filtre d'eau | | 1 | 1 | 1 |
| 20 | 1802107 | Spændebånd Hose clip Schlauchschelle Collier de serrage | | 2 | 2 | 2 |
| 21 | 6150954 | Slange Hose Schlauch Tuyau | | 1 | 1 | 1 |

| Pos. Ref. | Nr. No. | Betegnelse Bezeichnung | Designation Désignation | 1002K | 1702K | 3002KL |
|-----------|---------|--|----------------------------|-------|-------|--------|
| 2 | - | Stel dele Chassis parts Rahmen Teilen Pièces de châssis | | x | x | x |
| 26 | 6105719 | Bagbøjle Clamp rear Bügel, Hinten Collier, arrière | | 1 | 1 | 1 |
| 27 | 4600664 | Dupsko Ferrule Zwinge Fer | | 6 | 6 | 6 |
| 28 | 4000279 | Stjernegreb Starhandle Sterngriff Bouton | | 2 | 2 | 2 |
| 29 | 6101553 | Skrue Screw Schraube Vis | | 2 | 2 | 2 |
| 30 | 6150996 | Stel Chassis Rahmen Chassis | | 1 | 1 | 1 |
| 31 | 3800760 | Kabelafastning Cable lead-in Zugentlastung Passe fil | | 1 | 1 | 1 |
| 32 | 3800786 | Låsemøtrik Lock nut Gegenmutter Écrou de blocage | | 1 | 1 | 1 |
| 33 | 2010999 | Kørehjul Wheel Rad Roue | | 2 | 2 | 2 |
| 34 | 2003481 | Navkapsel Hub cap Radkappe Chapeau de roue | | 2 | 2 | 2 |
| 35 | 2011054 | Drejehjul Steerable wheel Lenkrad Roue pivotante | | 1 | 1 | 1 |
| 36 | 1800465 | Møtrik Nut Mutter Écrou | | 1 | 1 | 1 |
| 37 | 1801968 | Skive Washer Scheibe Rondelle | | 1 | 1 | 1 |
| 38 | 1801133 | Skrue Screw Schraube Vis | | 1 | 1 | 1 |



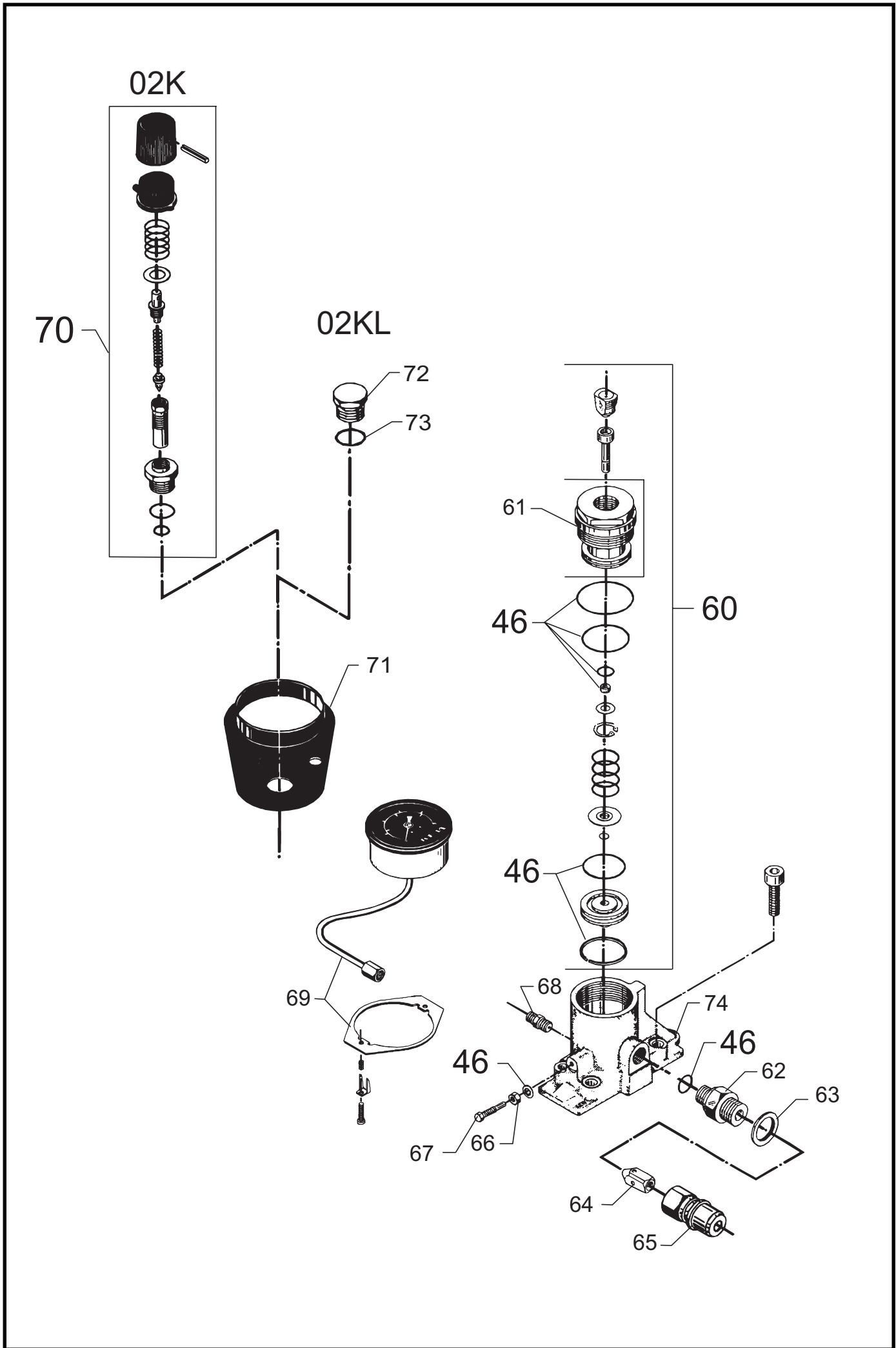
| Pos. Ref. | Nr. No. | Betegnelse Bezeichnung | Designation Désignation | 1002K | 1702K | 3002KL |
|-----------|---------|--|----------------------------|-------|-------|--------|
| - | - | Motorpumpeenhed, komp. Motor/pump unit, compl. Motorpumpeneinheit, kompl. Corps de moteur/pompe, compl. | | x | x | x |
| 8 | 3805660 | Ventilatorskærm Fan guard Ventilatorschutzblech Capot ventilateur | | 1 | 1 | |
| 8 | - | Ventilatorskærm Fan guard Ventilatorschutzblech Capot ventilateur | | | | 1 |
| 9 | 1803774 | Skrue Screw Schraue Vis | | 4 | 4 | |
| 9 | 1803030 | Skrue Screw Schraue Vis | | | | 4 |
| 10 | 3805678 | Ventilator Fan Ventilator Ventilateur | | 1 | 1 | |
| 10 | - | Ventilator Fan Ventilator Ventilateur | | | | 1 |
| 11 | 1803790 | Låsering Lock ring Schliessring Circlip | | 1 | 1 | |
| 12 | 3200789 | Feder Key Federkeil Clavette | | 1 | 1 | |
| 12 | 3200771 | Feder Key Federkeil Clavette | | | | 1 |
| 13 | - | Motor, komplet Motor, complete Motor, komplett Moteur, compl. | | x | x | x |
| - | - | 1,5kW - 100/200V, 50Hz | | 1 | | |
| - | - | 1,5kW - 1x240V, 50Hz 1x230V, 50Hz | | 1 | | |
| - | - | 1,55kW - 1x100/200V, 60Hz | | 1 | | |
| - | 6150656 | 1,55kW - 1x230V, 60Hz | | 1 | | |
| - | - | 1,6kW - 1x230-240V, 50/60Hz 3x400-440V, 50/60Hz | | 1 | | |
| - | 6150659 | 2,2kW - 1x200/230V, 50/60Hz | | | 1 | |
| - | 6150660 | 2,2kW - 1x240V, 50Hz 1x230V, 50Hz | | | 1 | |
| - | 6150662 | 2,25kW - 1x110/230V, 60Hz | | | 1 | |
| - | 6150663 | 2,25kW - 3x230-240V, 50/60Hz 3x400-440V, 50/60Hz | | | 1 | |
| 14 | 6150679 | Stift Pin Stift Goupille | | 1 | 1 | 1 |
| 15 | 6150610 | Endeplade Rear plate Abdeckplatte Plaque arrière | | 1 | 1 | 1 |
| 18 | 3200698 | Lejering Bearing ring Ring f. Lager Rondelle | | 1 | 1 | 1 |
| 19 | 3200714 | Trykleje Roller thrust bearing Drucklager Palier de poussee | | 2 | 2 | 2 |

| Pos. Ref. | Nr. No. | Betegnelse Bezeichnung | Designation Désignation | 1002K | 1702K | 3002KL |
|-----------|---------|---|----------------------------|-------|-------|--------|
| 21 | - | Skråskive Wobble disc Taumelscheibe Disque oblique | | | | |
| - | 6150645 | 1 | 60Hz | 1 | | |
| - | 6150646 | 2 | 60Hz | | 1 | |
| - | 6150647 | 3 | 50Hz | 1 | | |
| - | 6150648 | 4 | 50Hz | | 1 | |
| - | - | 5 | | | | 1 |
| 22 | 3200706 | Lejering Bearing ring Ring f. Lager Rondelle | | 2 | 2 | 2 |
| 23 | 3200722 | Inderring Inner collar Endring Baque enterieure | | 1 | 1 | 1 |
| 25 | 3200664 | Nåleleje Needle bearing Nadellager Roulement à aiguille | | 1 | 1 | 1 |
| 26 | 6150618 | Lejeskive Bearing track Lagerscheibe Rondelle de palier | | 1 | 1 | 1 |
| 46 | 6159027 | Rep.sæt, pakninger Rep.kit, gaskets Rep.satz, Dichtungen Kit de joints | | 1 | 1 | 1 |



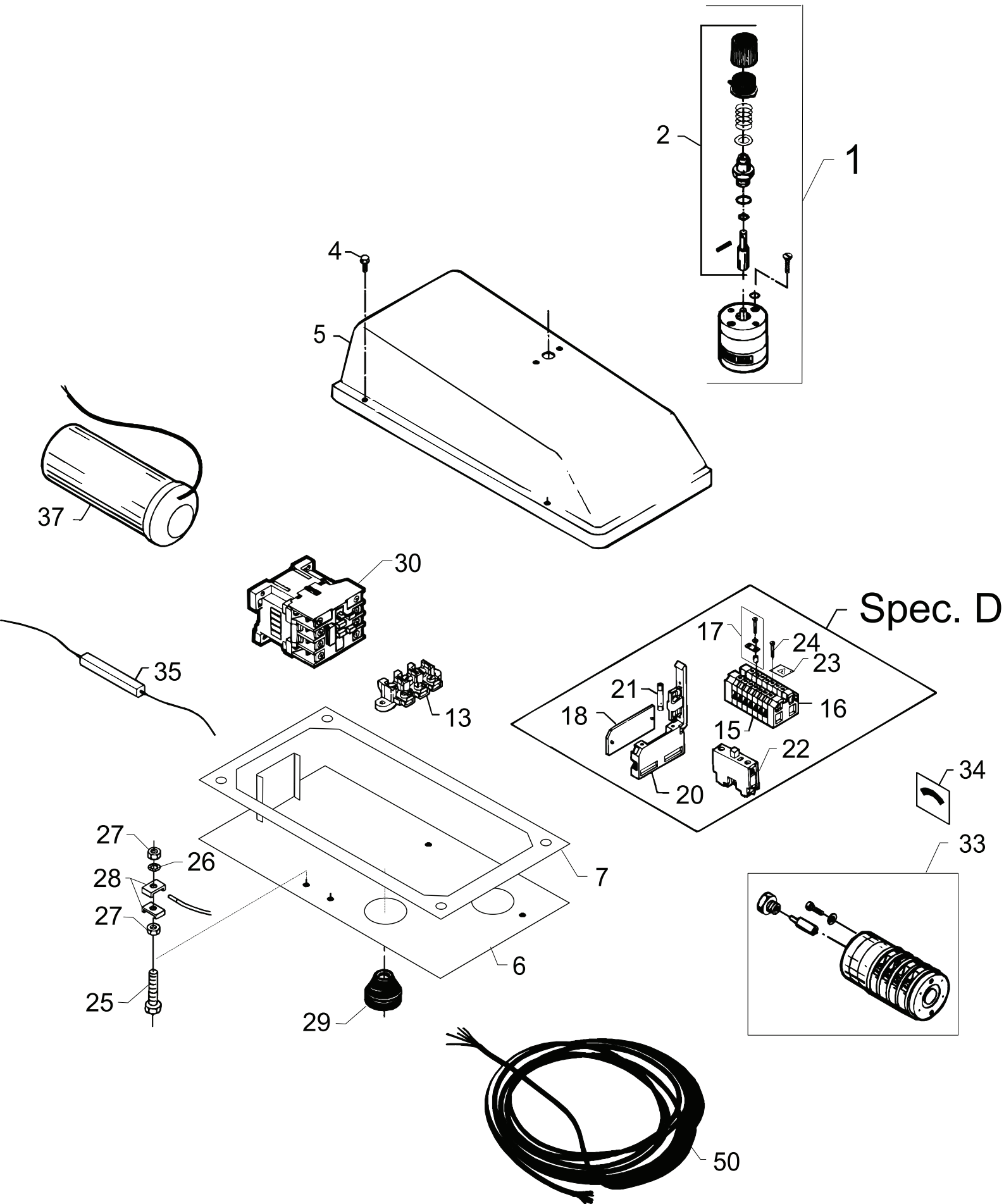
| Pos. Ref. | Nr. No. | Betegnels Bezeichnung | Designation Désignation | 1002K | 1702K | 3002KL |
|-----------|---------|---|----------------------------|-------|-------|--------|
| 27 | 6150702 | Cylinderblok Cylinder bloc Zylinderblock Carter-cylindre | | 1 | 1 | 1 |
| 28 | 1803162 | Låsering Circlip Sicherungsring Circlip | | 3 | 3 | 3 |
| 29 | 6150622 | Ring til returfeder Ring for return spring Ring für Rückzugfeder Anneau p. ressort de rap. | | 3 | 3 | 3 |
| 30 | 6150619 | Stempel Piston Druckkolben Piston | | 3 | 3 | |
| 30 | 6152604 | Stempel Piston Druckkolben Piston | | | | 3 |
| 31 | 2600310 | Returfjeder Return spring Rückzugfeder Ressort de rappel | | 3 | 3 | 3 |
| 32 | 1603885 | Slangestuds Hose socket Schlauchstutzen Raccord tuyau | | 1 | 1 | 1 |
| 37 | 1801075 | Tætningskive Sealing washer Dichtungsscheibe Rondelle d'étanchéité | | 1 | 1 | 1 |
| 38 | 6150400 | Oliefapningsprop Oil drain plug Ölablasspfropfen Bouchon de vidange huile | | 1 | 1 | 1 |
| 39 | 6150695 | Stagbolt Stay bolt Stehbolzen Entretoise | | 4 | 4 | 4 |
| 40 | 1803725 | Møtrik Nut Mutter Ecrou | | 4 | 4 | 4 |
| 42 | 6150678 | Studs Socket Stutzen Raccord | | 1 | 1 | 1 |
| 43 | 3000411 | Kobberskive Copper washer Kupferscheibe Rondelle en cuivre | | 1 | 1 | 1 |
| 44 | 2200285 | Olieglass Oil reservoir Ölbehälter Reservoir d'huile | | 1 | 1 | 1 |
| 45 | 2201854 | Låg f. olieglas Cover f. oil reservoir Deckel f. Ölbehälter Couvercle réservoir d'huile | | 1 | 1 | 1 |
| 46 | 6159027 | Rep.sæt, pakninger Rep.kit, gaskets Rep.satz, Dichtungen Kit de joints | | 1 | 1 | 1 |
| 48 | 6150609 | Trykring Thrust collar Druckring Anneau d'arrêt | | 1 | 1 | 1 |
| 50 | 1119037 | Rep.sæt, pakninger (red.) Rep.kit, gaskets (red.) Rep.satz, Dichtungen (red.) Kit de joints (réduit) | | 1 | 1 | 1 |
| 51 | 6150607 | Topstykke Cylinder head Zylinderkopf Culasse | | 1 | 1 | 1 |
| 52 | 6150617 | Indsugningsdæksel Suction cover Einlassdeckel Couvercle d'aspiration | | 1 | 1 | 1 |

| Pos. Ref. | Nr. No. | Betegnels Bezeichnung | Designation Désignation | 1002K | 1702K | 3002KL |
|-----------|---------|--|----------------------------|-------|-------|--------|
| 53 | 1803337 | Sætskrue Set screw Gewindestift Vis | | 3 | 3 | 3 |
| 54 | 6105533 | Prop Plug Pfropfen Ecrou | | 1 | 1 | 1 |
| 55 | 1119310 | Rep.sæt, ventilsystem Rep.kit, valve system Rep.satz, Ventilsystem Kit de système de clapet | | 1 | 1 | 1 |
| 56 | 6150611 | Afstandsstykke Spacer Ansatzstück Pièce d'espace | | 1 | 1 | 1 |
| 57 | 6150612 | Afstandsstykke Spacer Ansatzstück Pièce d'espace | | 1 | 1 | 1 |
| 58 | 6101625 | Slamglaslæg Cover f. sludge container Deckel f. Schlammglas Couvercle, resv. d'huile use | | 1 | 1 | 1 |
| 59 | 2200467 | Slamglas Sludge container Schlammglas Reservoir d'huile usée | | 1 | 1 | 1 |



| Pos. Ref. | Nr. No. | Betegnelse Bezeichnung | Designation Désignation | 1002K | 1702K | 3002KL |
|-----------|---------|--|----------------------------|-------|-------|--------|
| 46 | 6159027 | Rep.sæt, pakninger Rep.kit, gaskets Rep.satz, Dichtungen Kit de joints | | 1 | 1 | 1 |
| 60 | 1118546 | Rep.sæt, omløbsventil Rep.kit, by-pass valve Rep.satz, Umlaufventil Kit de soupape by-pass | | 1 | 1 | |
| 61 | 6150642 | Bundskrue Bottom screw Bodenschraube Vis à bloc | | 1 | 1 | 1 |
| 62 | 6150675 | Studs Socket Stutzen Raccord | | 1 | 1 | 1 |
| 63 | 1801075 | Skive Washer Scheibe Rondelle | | 1 | 1 | 1 |
| 64 | 6101038 | Stempel Piston Kolben Piston | | 1 | 1 | 1 |
| 65 | 1600493 | Lynkoblingsnippel Quick coupling nipple Schnellkupplungs-nippel Raccord rapide mâle | | 1 | 1 | 1 |
| - | 1603101 | Lynkoblingsnippel, RF Quick coupling nipple, SS Schnellkupplungs-nippel, RF Raccord rapide mâle, INOX | | 1 | 1 | 1 |
| 66 | 6150680 | Kontramøtrik Lock nut Gegenmutter Contre écrou | | 1 | 1 | 1 |
| 67 | 6150676 | Justerskrue Adjustment screw Justierschraube Vis de réglage | | 1 | 1 | 1 |
| 68 | 1603422 | Ligeforskruning Threaded connection Verschraubung Raccord fileté | | 1 | 1 | 1 |
| 69 | 6150533 | Manometer Pressure gauge Manometer Manomètre | | 1 | 1 | 1 |
| 70 | 6150507 | Rep.sæt, vandmængderegulering Rep.kit, regl. of water capacity Rep.satz, Wassermengeregulierung Kit de rép., régl. de debit d'eau | | 1 | 1 | |
| 71 | 6150915 | Manometerplade Pressure gauge plate Manometerplatte Plaque p. manomètre | | 1 | 1 | |
| 71 | 6152924 | Manometerplade Pressure gauge plate Manometerplatte Plaque p. manomètre | | | | 1 |
| 72 | 6152601 | Prop Plug Pfropfen Ecrou | | | | 1 |
| 73 | 3000064 | O-ring O-ring O-Ring Joint torique | | | | 1 |
| 74 | 6150608 | Ventildæksel Valve cover Ventildeckel Corp by-pass | | 1 | 1 | 1 |
| | | | | | | |
| | | | | | | |

| Pos. Ref. | Nr. No. | Betegnelse Bezeichnung | Designation Désignation | 1002K | 1702K | 3002KL |
|-----------|---------|---------------------------|----------------------------|-------|-------|--------|
| | | | | | | |
| | | | | | | |
| | | | | | | |
| | | | | | | |
| | | | | | | |
| | | | | | | |
| | | | | | | |
| | | | | | | |
| | | | | | | |
| | | | | | | |
| | | | | | | |
| | | | | | | |
| | | | | | | |
| | | | | | | |
| | | | | | | |
| | | | | | | |
| | | | | | | |
| | | | | | | |
| | | | | | | |



| Pos. Ref. | Nr. No. | Betegnels Bezeichnung | Designation Désignation | 1002K | 1702K | 3002KL |
|-----------|---------|---|----------------------------|-------|-------|--------|
| - | - | El-dele Electrical components Elektrische Komponenten Pièces électrique | | | | |
| 1 | 3805124 | Start/stop kontakt Start/stop switch Start/Stop Schalter Bouton marche/arrêt | | 1 | 1 | 1 |
| 2 | 1117357 | Drejekontakt, kompl. Adjusting knob, compl. Drehschalter, kompl. Interrupteur à rotation | | 1 | 1 | 1 |
| 4 | 1803030 | Skrue Screw Schraube Vis | | 4 | 4 | 4 |
| 5 | 6151950 | Instrumentkasse Instrument box Instrumentengehäuse Boîte à instrumente | | 1 | 1 | 1 |
| 6 | 6151952 | Plade f. el-dele Plate f. electrical components Platte f. Elektrische Komponenten Support boîtier électrique | | 1 | 1 | 1 |
| 7 | 6200741 | Pakning Gasket Dichtung Joint | | 1 | 1 | 1 |
| 13 | 3803822 | Klemmerække 3 Terminal strip 3 Klemmenreihe 3 Rangeé 3 | A,DK | 1 | 1 | 1 |
| 15 | 3800315 | Klemmerække Terminal strip 3 ~ Klemmenreihe Rangeé | D | 7 | 7 | 7 |
| 16 | 3800323 | Befæstigelsesblok Attachment block Befestigungsblock Bloc de fixation | D | 1 | 1 | 1 |
| 17 | 3800349 | 2 - poler laske 2 - polar splice 3 ~ Zweipolige Lasche Eclisse à deux pôles | D | 1 | 1 | 1 |
| 18 | 3804416 | Endeplade f. sikringsholder Rear plate f. fuse holder Abdeckplatte f. Sicherungshalter Plaque arrière de porte-fusible | D | 1 | 1 | 1 |
| 20 | 3804333 | Sikringsholder Fuse holder 3 ~ Sicherungshalter Support de fusible | D | 2 | 2 | 2 |
| 21 | 3804341 | Sikring 1A 500V Fuse 3 ~ Sicherung Fusible | D | 2 | 2 | 2 |
| 22 | 3804358 | Hjælpekontakt, Auxiliary switch 3 ~ Zusatzschalter Bouton auxiliaire | D | 1 | 1 | 1 |
| 23 | 3804325 | Plade med lynsymbol Plate with symbol-lightning Platte mit Symbol-Blitz Plaque avec symbole-éclair | D | 2 | 2 | 2 |
| 24 | 1802784 | Skrue, rød Screw, red Schraube, rot Vis, rouge | D | 4 | 4 | 4 |
| 25 | 1802859 | Skrue Screw Schraube Vis | | 1 | 1 | 1 |
| 26 | 1802727 | Stjerne skive Star washer Sternscheibe Rondelle à dents | | 2 | 2 | 2 |
| 27 | 1802743 | Møtrik Nut Mutter Ecrou | | 2 | 2 | 2 |

| Pos. Ref. | Nr. No. | Betegnels Bezeichnung | Designation Désignation | 1002K | 1702K | 3002KL |
|-----------|---------|---|--|-------|-------|--------|
| 28 | 1802735 | Klembøjle Clamp Bügel Support | | 2 | 2 | 2 |
| 29 | 3803780 | Pakdåse Cable grommet TET 10 - 14C Stopfbuchse Presse-étoupe | | 2 | 2 | 2 |
| 30 | 3804028 | Kontaktor, 16A 220V, 60Hz Contacteur Schütz Contacteur | CA3-16-10 | 1 | 1 | 1 |
| 30 | 63905 | Kontaktor, 16A 230V 50-60Hz Contacteur Schütz Contacteur | | 1 | 1 | 1 |
| 30 | 64881 | Kontaktor, 16A 400V 50-60Hz Contacteur Schütz Contacteur | | 1 | 1 | 1 |
| 30 | 3804143 | Kontaktor, 23A 115V, 60Hz Contacteur Schütz Contacteur | CA3-23-10 | 1 | | |
| 30 | 1119847 | Kontaktor + hjælpekontakt Contacteur + auxiliary switch Schütz + Zusatzschalter Contacteur + bouton auxiliaire | 1x110 V | | 1 | |
| 33 | 3805132 | Omskifter Reverser Umschalter Inverseur | Y/Δ | 1 | 1 | 1 |
| 34 | 6101574 | Skala Dial Skalen Echelle | 380/220 | 1 | 1 | 1 |
| 35 | 3805165 | Modstand Resistance 8 K2, 5%-9W Widerstand Résistance | B | | | |
| 37 | . | Kondensator Capacitor Kondensator Condensateur | 1~ | 1 | | |
| - | 3804960 | 50 mf 400 VDB, 50 Hz | | | | |
| - | 3805348 | 160 mf 250 VDB, 60Hz | | | | |
| - | 3805363 | 200 mf 200 VDB, J | | | | |
| - | 3804978 | 66 mf 450 VDB, 50/60 Hz | | | | |
| 50 | - | El-kabel El.cable Anschlusskabel Câble électrique | | | | |
| - | 6100481 | H05VV-F 3G 1.5 | GB,SA,SGP,F, N,AUS,HK,NZ | x | x | x |
| - | 6100482 | H05VV-F 4G 1.5 | DK,S,NL,GR,HK, AUS,SGP(415),IL, GB,F,PSA,NZ,E | x | x | x |
| - | 6100310 | SOW AWG 12/3 | CDN | x | | |
| - | 6180260 | H07RN-F 4G 1.5 | | | | |
| - | 6180261 | H07RN-F 3G 1.5 | | | | |
| - | 6180262 | H07RN-F 3G 2.5 | | | | |
| - | - | Stik Plug Stecker Prise électrique | | | | |
| - | 3802493 | CEE 5 pol. 380V/16A | | | | |
| - | 3805793 | 1 pol. | Eur. | | | |