

BA 410

Model:
BA 410
BA 410 CN



Stykliste Dansk

13-11-2013

Indholdsfortegnelse

BA 410

Opløsningstank	3
VAKUUMSYSTEM	5
Recovery tank - before Serial no. 054418642	7
Recovery tank - from Serial no. 054418642	9
CHASSISYSTEM BA 430S/510S	11
OPLØSNINGSSYSTEM	13
GUMMISKRABERSAMLING	15
Brush system - before Serial no. 054920336	17
Brush system - from Serial no. 054920336	19
LEDNINGSSYSTEM	21
Accessory: Squeegee curved	23
Accessories: Brush, pad, others	25
ANBEFALEDE RESERVEDELE	27
Wiring diagram - before Serial no. 055121383	30
Wiring diagram - from Serial no. 055121383	32

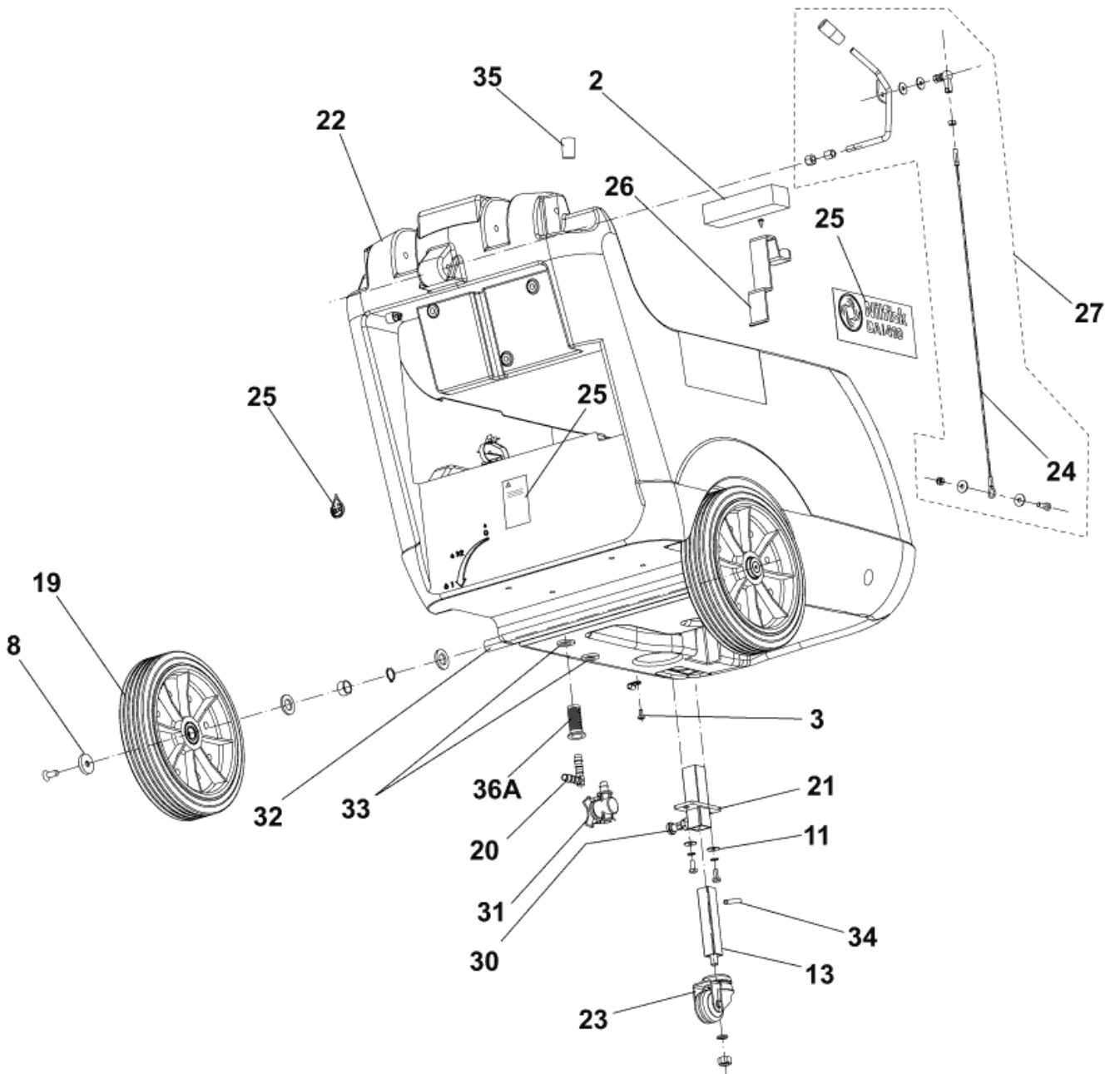
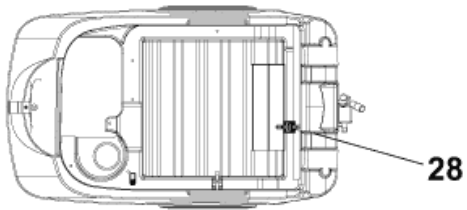
Opløsningstank

BA 410

13-11-2013

StyMiste ID E79103

3



Opløsningstank

BA 410

13-11-2013

StyMiste ID

E/79103

4

Pos	Vare nr.	Ant	Beskrivelse	
0	909 5986 000	1	Hardware. Tank Fixing Kit	
0	909 6226 000	1	RUBBER SHOCK ABSORBER KIT	OPTION INST.INSTR.CODE 909 6227 000
0	9099705000	1	NÆSEHJUL KIT BA 410	See note
2	909 5674 000	1	Sponge In.Freshw.Tank	
3	L08603041	5	Skrue M5X10 F/Ca340 F/Sugemundstk.	
8	L08812392	2	Bøsning	
11	L08228600	4	Skive	
13	9099705000	1	NÆSEHJUL KIT BA 410	See note
19	9099410000	2	Wheel D.250X50 Grey	TSB IT 2007-015
20	909 5285 000	1	Bøjning 90 Gr.	
21	9099705000	1	NÆSEHJUL KIT BA 410	See note
22	909 5551 000	1	Tank,Rentv ann BA/CA 410	
23	9099705000	1	NÆSEHJUL KIT BA 410	See note
24	909 5573 000	1	Kabel, Squeegeerløft	
25	9097769000	1	Decals Kit BA 410	
26	909 5644 000	1	Beslag	PRUNED - NO REPLACEMENT
27	909 5700 000	1	Wire,Nalløft Kit BA/CA 410	
28	145 0524 000	3	Black Clamp 4,8X200	
30	9099705000	1	NÆSEHJUL KIT BA 410	See note
31	909 5696 000	1	Avtappingsventil	
32	909 5748 000	1	Shaft Wheels	
33	909 5286 000	2	Pakning BA 410	
34	9099705000	1	NÆSEHJUL KIT BA 410	See note
35	909 6236 000	1	Gummigennemføring, Sort	
36A	9096916000	1	Filter Rentv and Ba410	OPTION

When stock of Pos. 13-21-23-30-34 run out they will be replaced by Item No. 9099705000

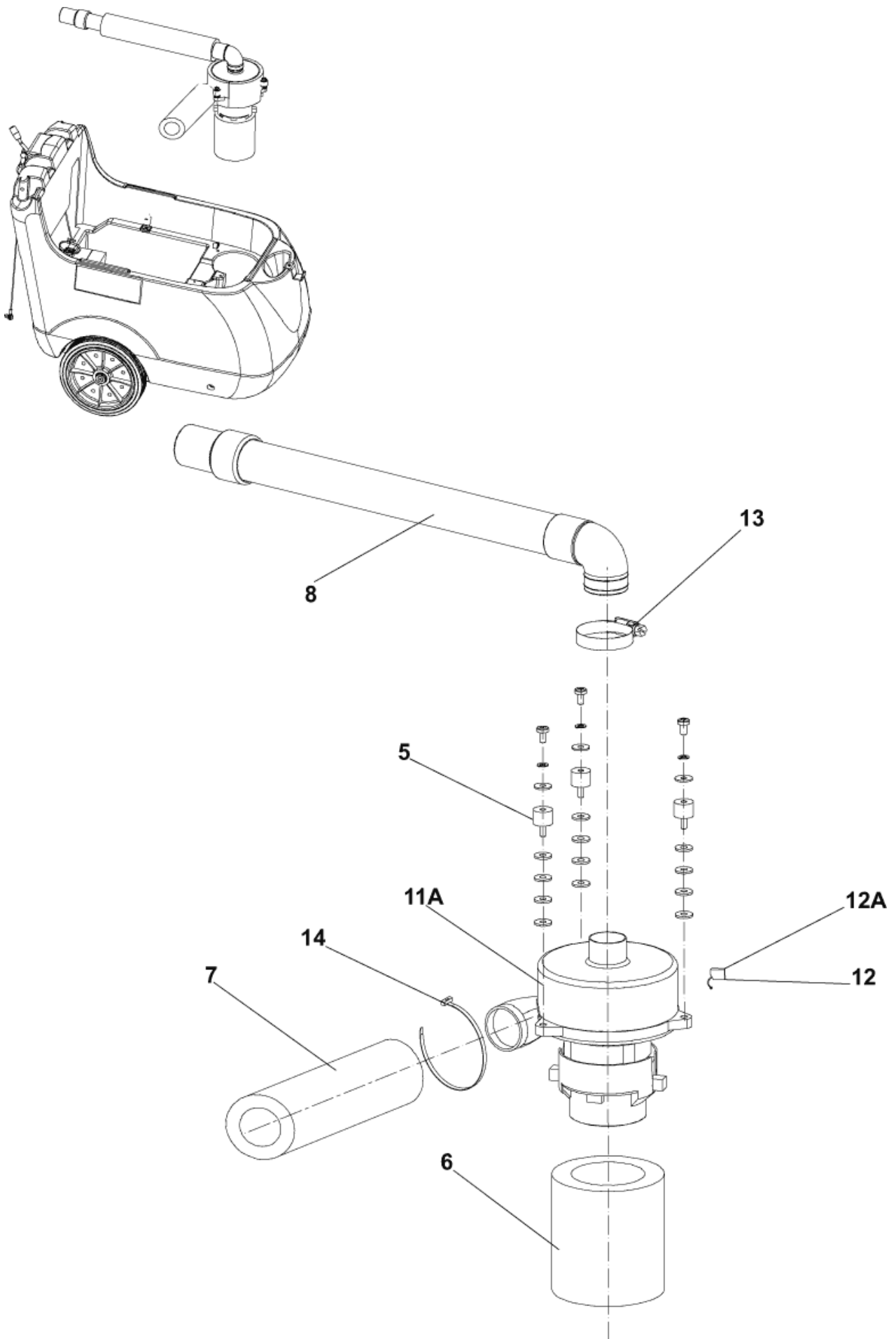
VAKUUMSYSTEM

BA 410

13-11-2013

StyMiste ID E79105

5



VAKUUMSYSTEM

BA 410

13-11-2013

StyMiste ID

E79105

6

Pos	Vare nr.	Ant	Beskrivelse
0	909 5987 000	1	HARDWARE. VAC.MOTOR KIT
5	909 5198 000	3	VIBRATION DAMPING M 6
6	909 5564 000	1	Isolering
7	909 5565 000	1	Lydisolering F. Sugemotor
8	909 5579 000	1	Slange
11	909 5713 000	1	Sugemotor BA 410
12	909 5371 000	2	Kul, Sugemotor 410/343
12	9098231000	1	Carbon Brush Kit 2Pcs
13	145 0543 000	1	Passring
14	L08812587	1	CLAMP 4.8X430 WHITE

Position 12: 9098231000 valid for motor kit 9098233000

Position 12: 909 5371 000 valid for motor kit 909 5713 000

Recovery tank - before Serial no. 054418642

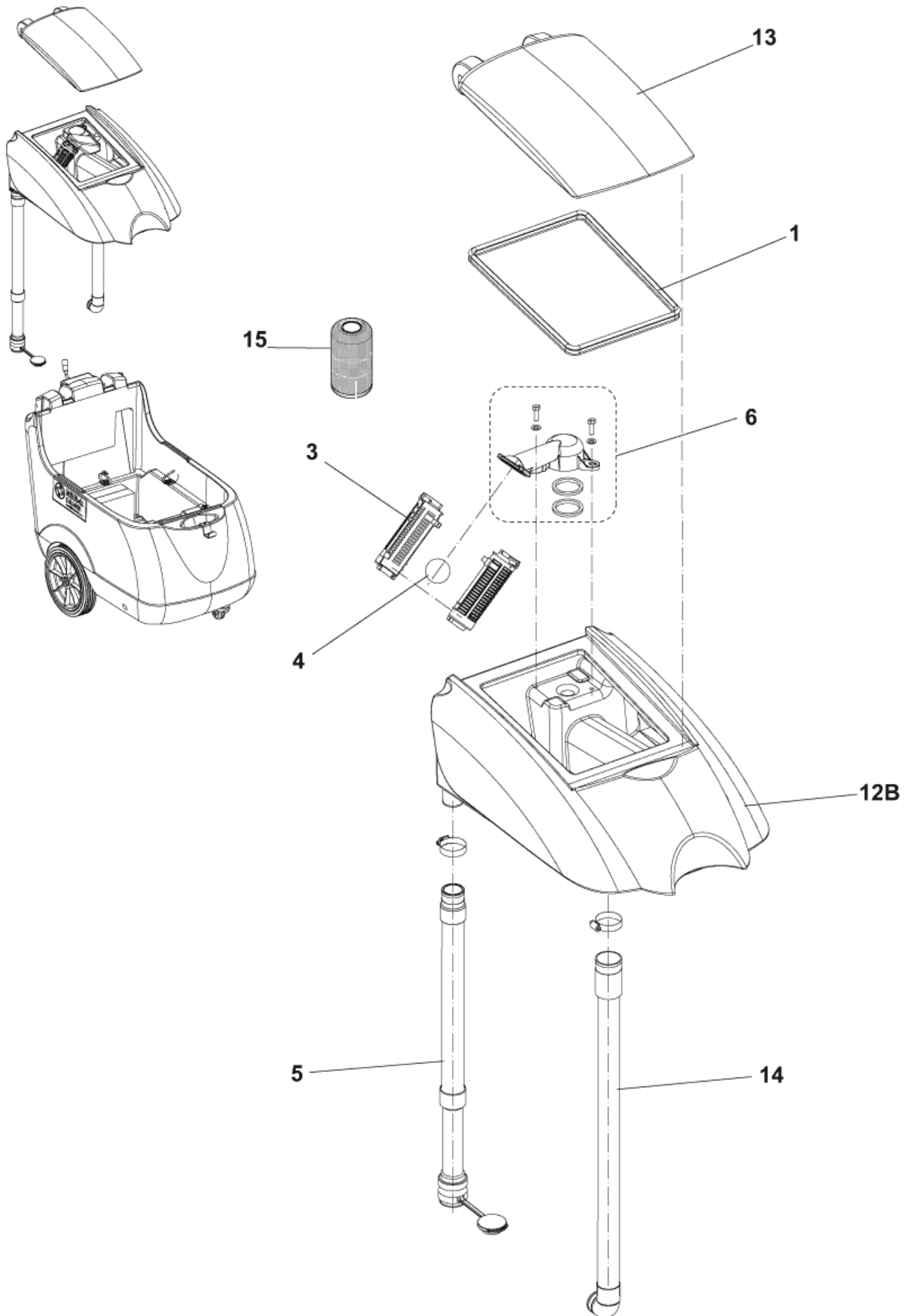
BA 410

13-11-2013

StyMiste ID

E79107

7



Recovery tank - before Serial no. 054418642

BA 410

13-11-2013

StyMiste ID

E79107

8

Pos	Vare nr.	Ant	Beskrivelse	
0	909 5988 000	1	HARDWARE. TANK FIXING KIT	
1	909 5716 000	1	Pakning Til Låg Ba410	
3	L08812259	2	Kompl.Fly der F.Ba450/530 F.BA 450/530	
4	L08812373	1	Float Ball F.BA 450/530	
5	9099687000	1	Hose Drain	
6	9097681000	1	Cage Float Holder Kit	TSB IT 2008-009 - INSTR.CODE 9097680000
13	909 5553 000	1	Dæksel, Tank	
14	909 5578 000	1	Hose,Suction	
15	909 5065 000	1	Anti-skumfilter	OPTION TSB IT 2008-002
12B	909 6061 000	1	Tank Recovery Kit	TSB IT 2006-001

Recovery tank - from Serial no. 054418642

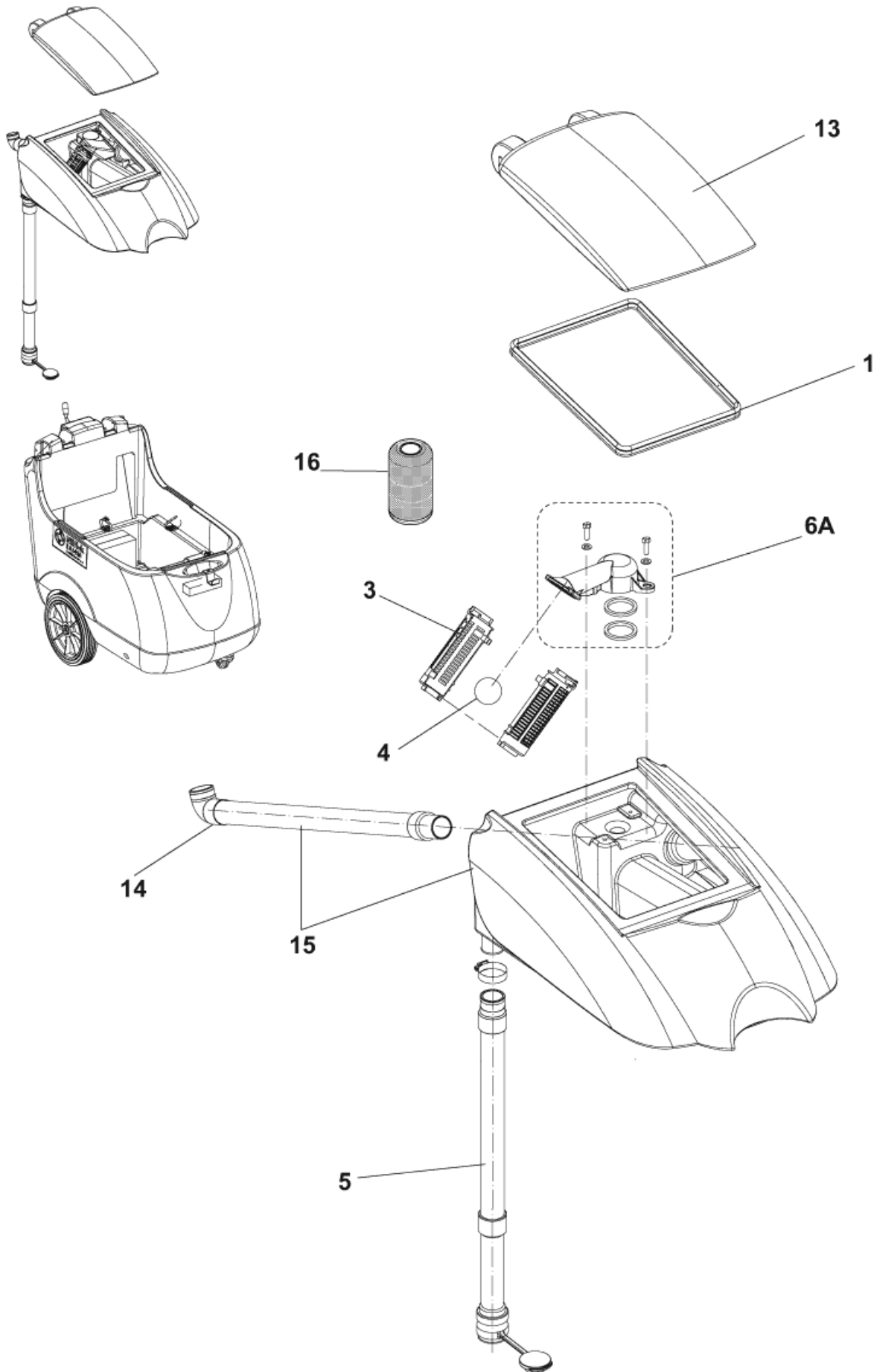
BA 410

13-11-2013

StyMiste ID

E79109

9



Recovery tank - from Serial no. 054418642

BA 410

13-11-2013

StyMiste ID

E79109

10

Pos	Vare nr.	Ant	Beskrivelse	
0	909 5988 000	1	HARDWARE. TANK FIXING KIT	
1	909 5716 000	1	Pakning Til Låg Ba410	
3	L08812259	2	Kompl.Fly der F.Ba450/530 F.BA 450/530	
4	L08812373	1	Float Ball F.BA 450/530	
5	9099687000	1	Hose Drain	
13	909 5553 000	1	Dæksel, Tank	
14	909 6060 000	1	Sugeslange	
15	909 6061 000	1	Tank Recovery Kit	TSB IT 2006-001
16	909 5065 000	1	Anti-skumfilter	OPTION TSB IT 2008-002
6A	9097681000	1	Cage Float Holder Kit	TSB IT 2008-009 - INSTR.CODE 9097680000

CHASSISSYSTEM BA 430S/510S

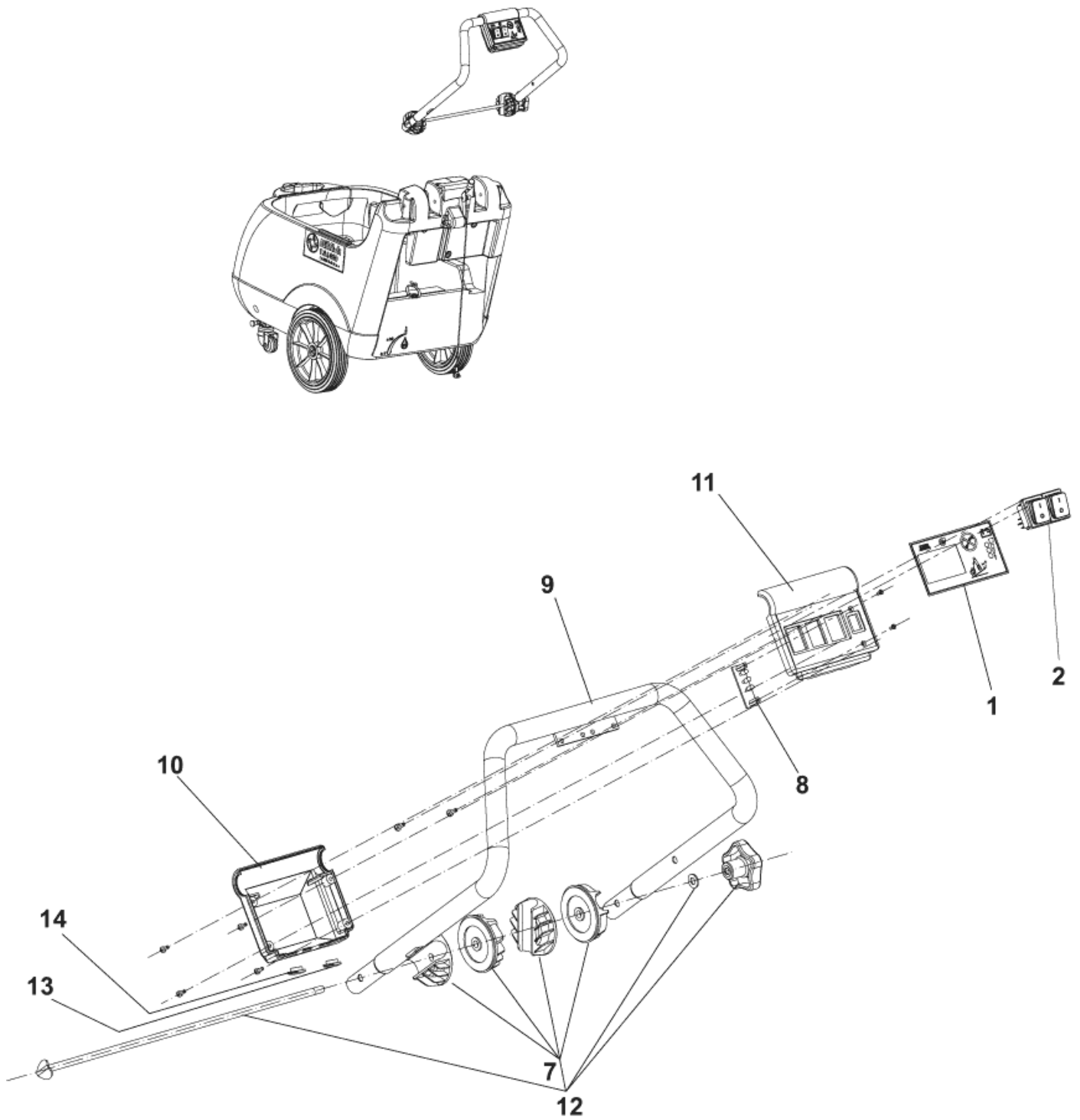
BA 410

13-11-2013

StyMiste ID

E79111

11



CHASSISSYSTEM BA 430S/510S

BA 410

13-11-2013

StyMiste ID

E/9111

12

Pos	Vare nr.	Ant	Beskrivelse
0	909 5995 000	1	HARDWARE. HANDLE FIX. KIT
1	909 5587 000	1	Skilt, Control Panel
2	107404540	2	Kontakt (0-1)
7	909 5099 000	1	Justeringskrue Kit
8	L08812909	1	Diodebro Ba410
9	909 6579 000	1	HANDLE BAR
10	909 5847 000	1	HOUSING SWITCH LOWER
11	909 5846 000	1	HOUSING SWITCH UPPER
12	909 5701 000	1	Håndtagsregulering Kit BA/CA 410
13	145 4260 000	1	CAP D.14.7
14	145 4259 000	1	Dæksel, Sort

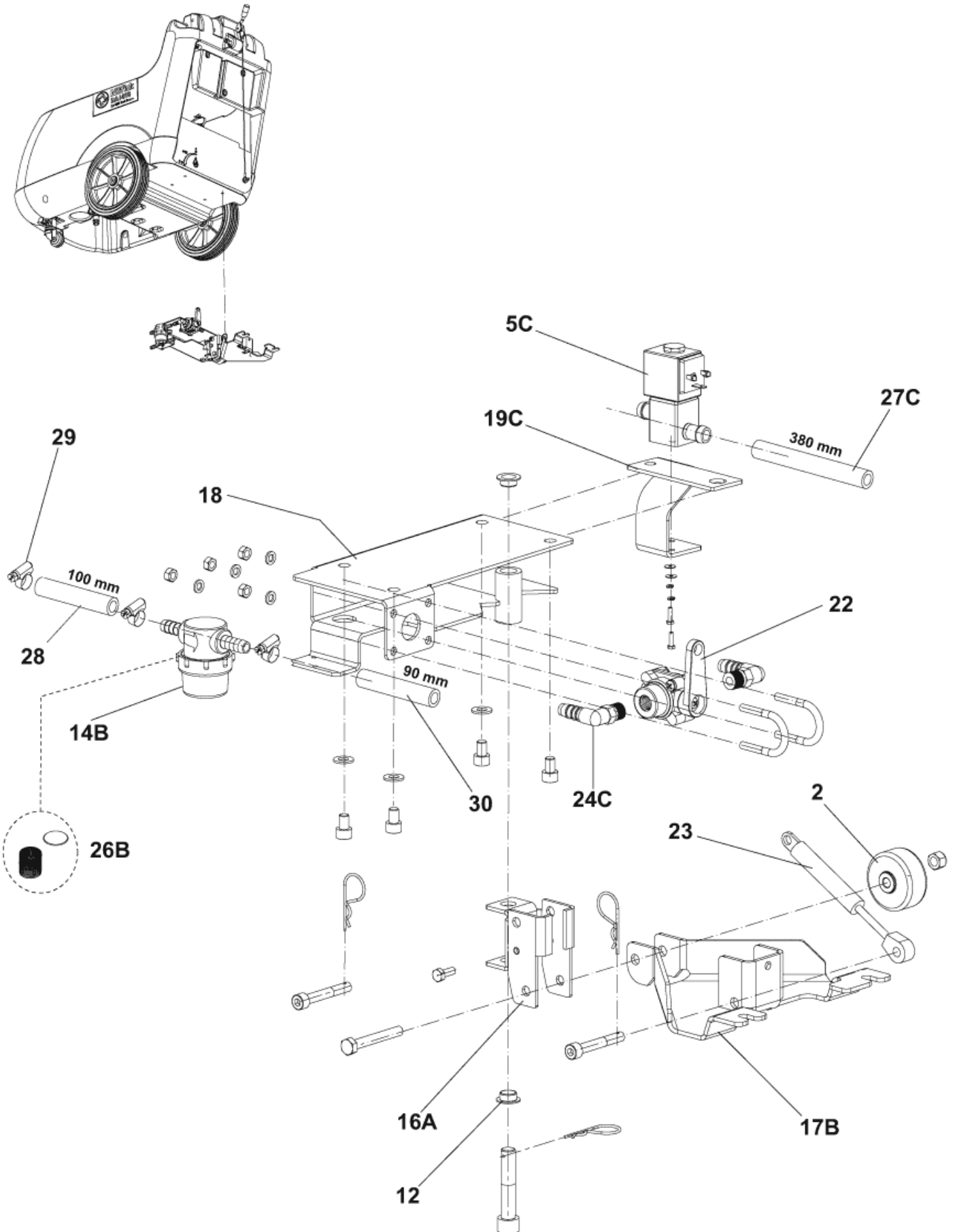
OPLØSNINGSSYSTEM

BA 410

13-11-2013

StyMiste ID E79113

13



OPLØSNINGSSYSTEM

BA 410

13-11-2013

StyMiste ID

E/79113

14

Pos	Vare nr.	Ant	Beskrivelse	
0	909 5990 000	1	Hardware. Sol.Val.Fix.Kit	NOT SHOWN
2	L08603665	1	Gummihjul, Squeegeer	
0C	9097874000	1	CONNECTOR TYPE DIN 43650	See TSB IT 2008-016
12	146 0549 000	2	Leje Til Flange	
18	909 5571 000	1	Plade BA/Ca410	
22	909 5632 000	1	"Ventil 1/4" "	
23	909 5637 000	1	Gas Fjeder	
28	909 5026 000	1	Slange, D 10 L=100 mm	
29	145 8582 000	3	Clamp 8/ 9-16	
30	145 4154 000	1	Slange, L: 90	
5C	909 5977 000	1	Magnetventil	See TSB IT 2008-016 - Before Serial No. 084834866
5C	9099423000	1	Solenoid Valve 24V Kit	
5C	9099423000	1	Solenoid Valve 24V Kit	See TSB IT 2008-016
14B	9097166000	1	Filter Complete Kit	See TSB IT 2007-021
16A	909 5566 000	1	Beslag BA 410	See TSB IT 2007-015
17B	909 5567 000	1	Holder, Squeegee BA/Ca410	See TSB IT 2007-021
19C	9097866000	1	BRACKET SOLENOID VALVE	See TSB IT 2008-016
24C	909 5651 000	2	Holder	See TSB IT 2008-016
26B	L08603893	1	Filternet+Pakn. Til 909 5151 000	See TSB IT 2007-021
27C	9097868000	1	HOSE D.12 L380MM KIT	See TSB IT 2008-016

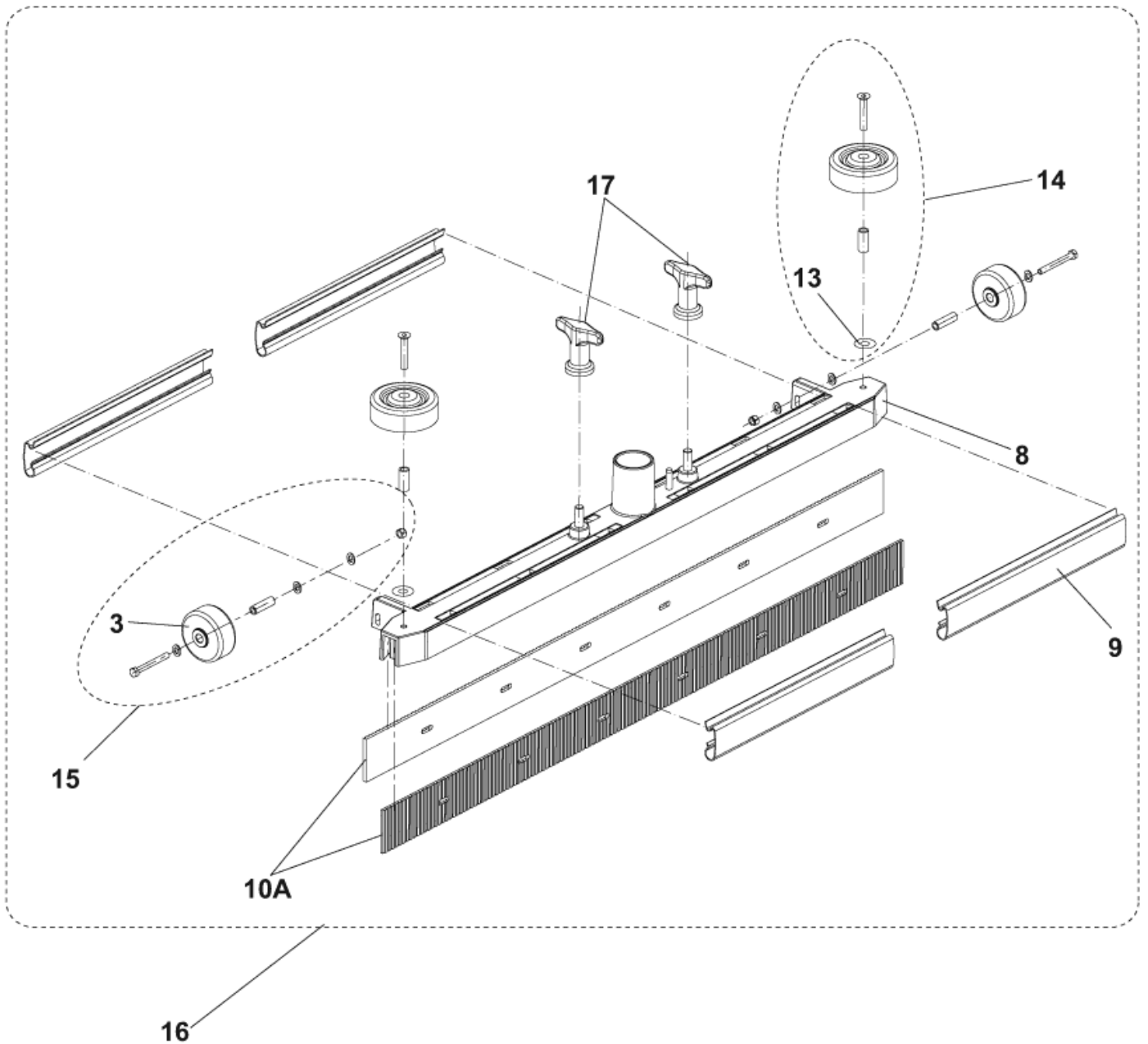
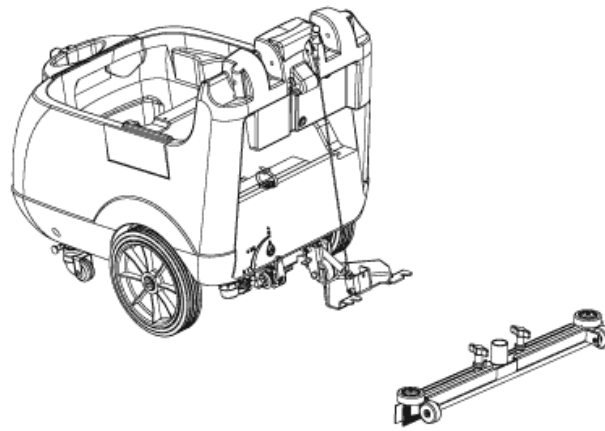
GUMMISKRABERSAMLING

BA 410

13-11-2013

StyMiste ID E79115

15



GUMMISKRABERSAMLING

BA 410

13-11-2013

StyMiste ID

E/79115

16

Pos	Vare nr.	Ant	Beskrivelse
0	909 5991 000	1	HARDWARE.SQUEEGEE FIX.KIT
3	L08603665	2	Gummihjul, Squeegeer
8	909 5554 000	1	Sugef odsenhed
9	909 5555 000	4	Fjeder Skinne Ba410 1Stk!
13	L08603689	2	WASHER 6X18X1.5 UNI6593 SS
14	L08603880	1	Stødhjulskit, Sugefod
15	909 5703 000	2	Hjul T/Sugelæbekit BA/CA 410
16	909 5702 000	1	Sugefod Kompl. BA/CA 410
17	9097637000	1	Monteringskrue (2 Stk)
10A	9097354000	1	Sugegummi kit polyurethan

Brush system - before Serial no. 054920336

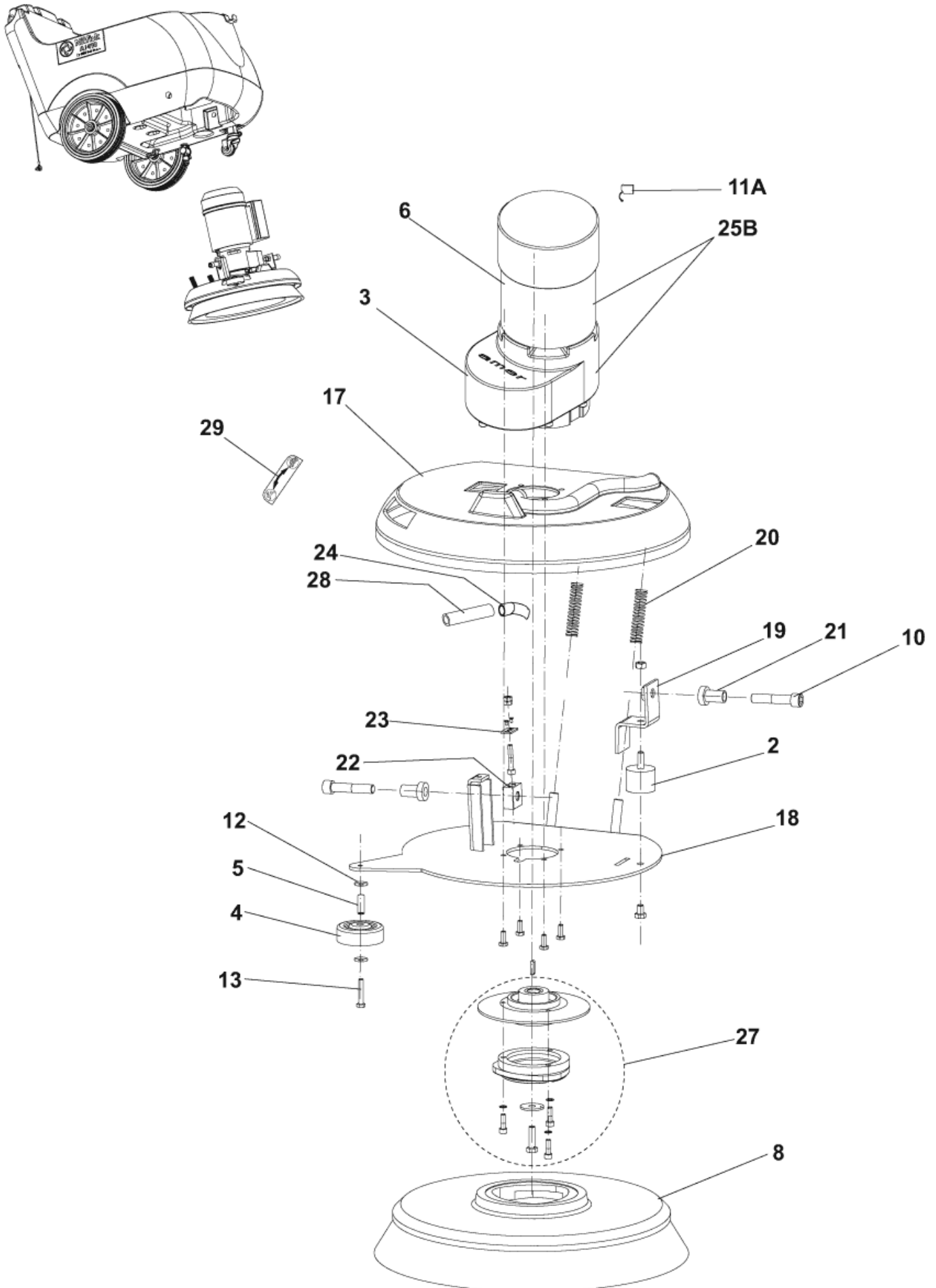
BA 410

13-11-2013

StyMiste ID

E79117

17



Brush system - before Serial no. 054920336

BA 410

13-11-2013

StyMiste ID

E/79117

18

Pos	Vare nr.	Ant	Beskrivelse	
0	145 9774 000	1	Kile R1300	For GEAR REDUCTION 1 19
0	909 5992 000	1	Hardware.Brush Fixing Kit	
2	9097184000	1	Vibration Damping M8 60Sh	
3	9099851000	1	REDUCTION GEAR	SEE TSB IT 2007-011
4	L08602460	1	Wheel	
5	909 5710 000	1	Afstandsskive Ca/BA 410-750	
6	9097114000	1	Motor Electric 520W 24V	SEE TSB IT 2007-011
8	L08812891	1	Børste polypropylen 17" Ø430 mm	
10	146 2826 000	2	Skrue M12X55 Uni5931	
12	L08228600	2	Skive	
13	33003978	1	Screw M6X35 Uni5739	
17	909 5550 000	1	Skærm	
18	909 6269 000	1	Holder For Børste	
19	909 6270 000	1	Beslag	
20	909 5558 000	2	Fjeder	
21	909 5559 000	2	Bush Flanged	
22	909 5585 000	1	Justerblok F. Børste	
23	909 5586 000	1	Plate	
24	909 5594 000	1	HOSE COPPER	in machine tilll WK 49 - YEAR 2005
27	L08812589	1	Holder Poly g,W/Flange Kit	
28	909 5622 000	1	Hose	
29	9097769000	1	Decals Kit BA 410	
25B	9097113000	1	Børstemotor 520W 24V 410/343	SEE TSB IT 2007-011

Brush system - from Serial no. 054920336

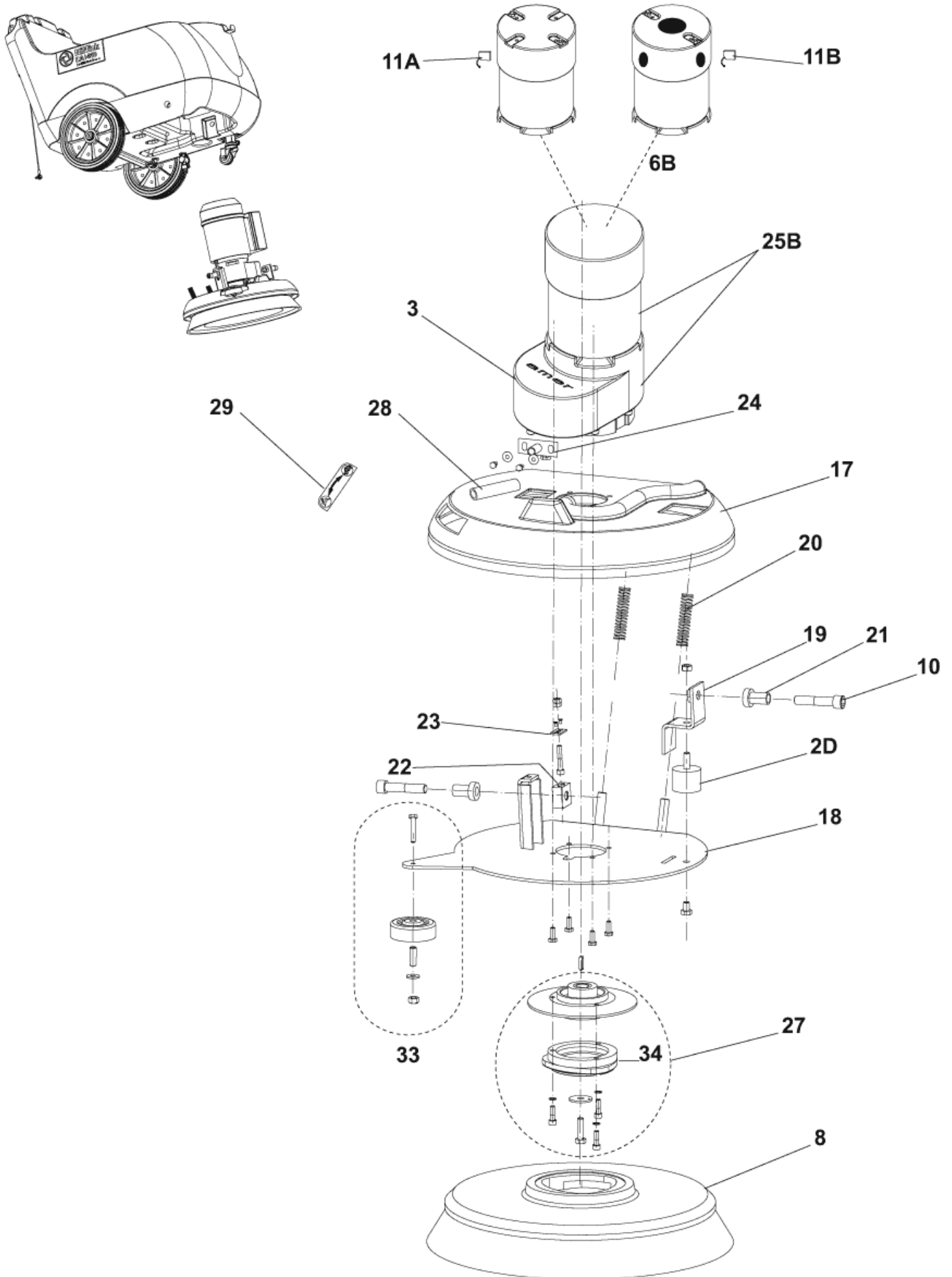
BA 410

13-11-2013

StyMiste ID

E79119

19



Brush system - from Serial no. 054920336

BA 410

13-11-2013

StyMiste ID

E/79119

20

Pos	Vare nr.	Ant	Beskrivelse	
0	145 9774 000	1	Kile R1300	For GEAR REDUCTION 1 19
0	909 5992 000	1	Hardware.Brush Fixing Kit	
3	9099851000	1	REDUCTION GEAR	TSB IT 2007-011
8	L08812891	1	Børste poly propy len 17" Ø430 mm	
10	146 2826 000	2	Skrue M12X55 Uni5931	
17	909 5550 000	1	Skærm	
18	909 6269 000	1	Holder For Børste	
19	909 6270 000	1	Beslag	
20	909 5558 000	2	Fjeder	
21	909 5559 000	2	Bush Flanged	
22	909 5585 000	1	Justerblok F. Børste	
23	909 5586 000	1	Plate	
24	909 6217 000	1	HOSE COPPER	
27	L08812589	1	Holder Poly g,W/Flange Kit	
28	909 5622 000	1	Hose	
29	9097769000	1	Decals Kit BA 410	
2D	9097184000	1	Vibration Damping M8 60Sh	
33	909 5397 000	1	Støddæmper Hjul Kit BA 650/750/600S/610D	
34	L08812480	1	Polyg. Holder Ba450/530	
6B	9097114000	1	Motor Electric 520W 24V	TSB IT 2007-011
11B	909 6893 000	1	Carbon Brush Kit -4Pcs-	FOR NEW MOTOR
25B	9099805000	1	Gearmotor 520W 24V	TSB IT 2007-011

LEDNINGSSYSTEM

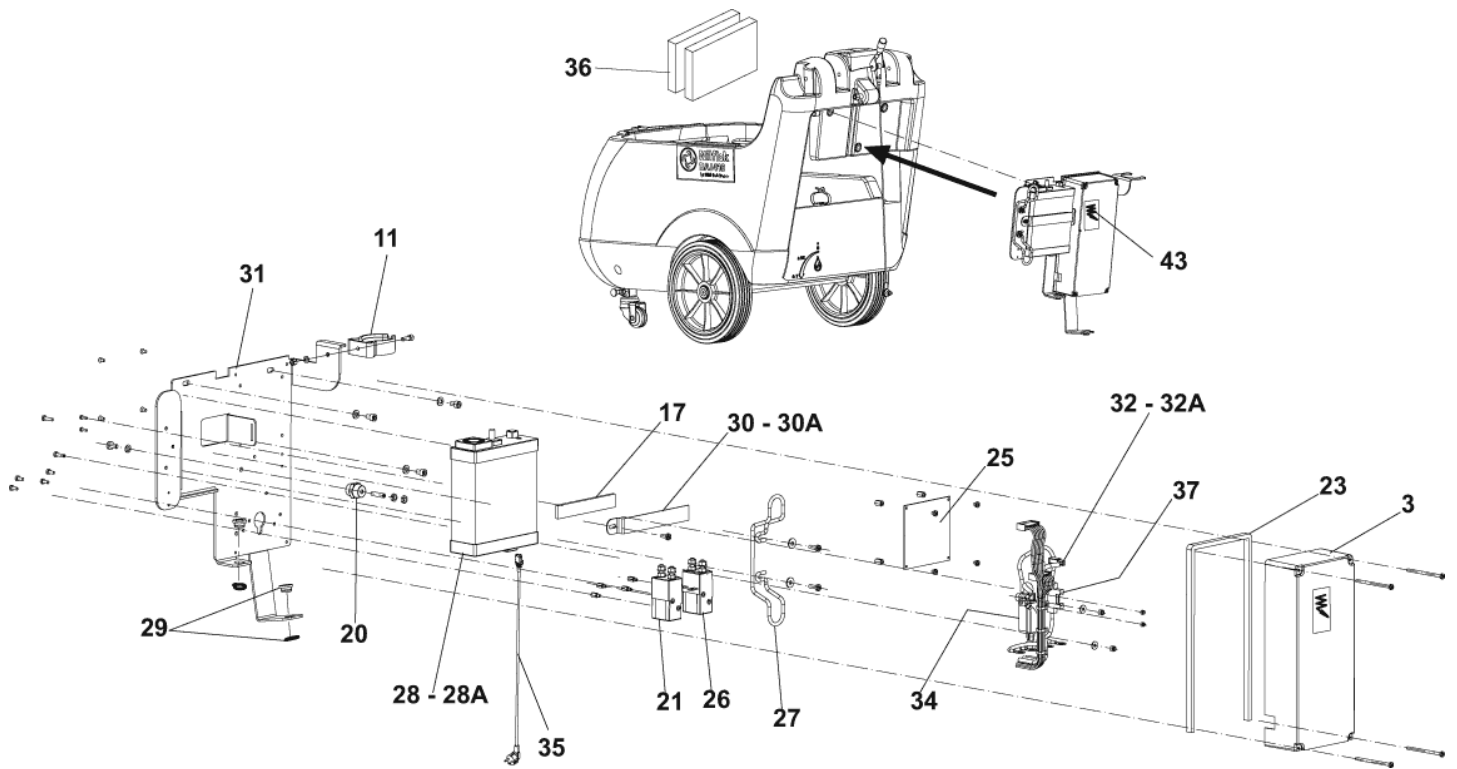
BA 410

13-11-2013

StyMiste ID

E79121

21



LEDNINGSSYSTEM

BA 410

13-11-2013

StyMiste ID

E/79121

22

Pos	Vare nr.	Ant	Beskrivelse	
0	145 0227 000	1	Sikring 40 A, Autosikring	
0	145 1248 000	1	CAP D. 7.9	FROM S.NO.055121383
0	145 3824 000	1	Sikring 40A,Bladsikring	
0	145 9852 000	1	Sikring 5A	
0	80564200	2	Batteri 12V 50A GEL monoblok	
0	80564310	2	Batteri 12V 76A GEL monoblok	
0	909 5595 000	1	HARNESS MACHINE W CHARG.	BEFORE S.NO.084835196
0	909 5675 000	1	HARNESS MACHINE W/O CHAR	BEFORE S.NO.084835196
0	909 5994 000	1	HARDWARE. WIRING FIX. KIT	
0	9097590000	1	Batteri Kabel	
0	9097971000	1	HARNESS MACHINE W/CHARGER	FROM S.NO.084835196
0	9097972000	1	HARNESS MACHINE W/O CHARGER	FROM S.NO.084835196
0	9099032000	1	Charger Battery 24V 8A	FROM S.NO.055121383
0	9099032000	1	Charger Battery 24V 8A	FROM S.NO.055121383
0	9099032000	1	Charger Battery 24V 8A	FROM S.NO.055121383
0	L08603889	1	HARNESS BATTERY	
3	9099432000	1	COVER ELECTRICAL BOX KIT	FROM S.NO.055121383
11	909 6380 000	1	Slangeklemme Kit	
17	146 0656 000	1	GASKET ADHESIVE 20X5 L.125MM	
20	146 0708 000	1	INSULATOR M6 WHITE	
21	909 5127 000	1	Relæ, BA 410 (Børste)	
23	146 2118 000	1	GASKET RUBBER L.750MM KIT	
25	9099967000	1	CARD ELECTRONIC KIT	
26	146 0719 000	1	Relæ, Ba410	
27	909 5149 000	1	Kabelholder	
28	9099032000	1	Charger Battery 24V 8A	FROM S.NO.055121383
29	909 6062 000	2	Bøsning Kit	
30	909 6429 000	1	Bracket	FROM S.NO.055121383
31	909 5788 000	1	Plate,Bak,BA 410	
32	909 6426 000	1	Kort,Elktronic	FROM S.NO.055121383
34	145 8046 000	1	Säkeringshållare	
35	909 5633 000	1	Ladeledning Ba410	
35	909 5676 000	1	CABLE EXTENSION UK PLUG L.1000	
35	9096914000	1	Cable Extension Us Plug	
36	L08812670	2	RESTRAINT. BATTERY	
37	146 0660 000	1	Holder Fuse	
43	9097769000	1	Decals Kit BA 410	
28A	909 6428 000	1	Lader Indb. Kpl Kit 24V 8A 100-230V	BEFORE S.NO.055121383

30A: SEE TSB IT 2006-002

32A: SEE TSB IT 2006-002

Accessory: Squeegee curved

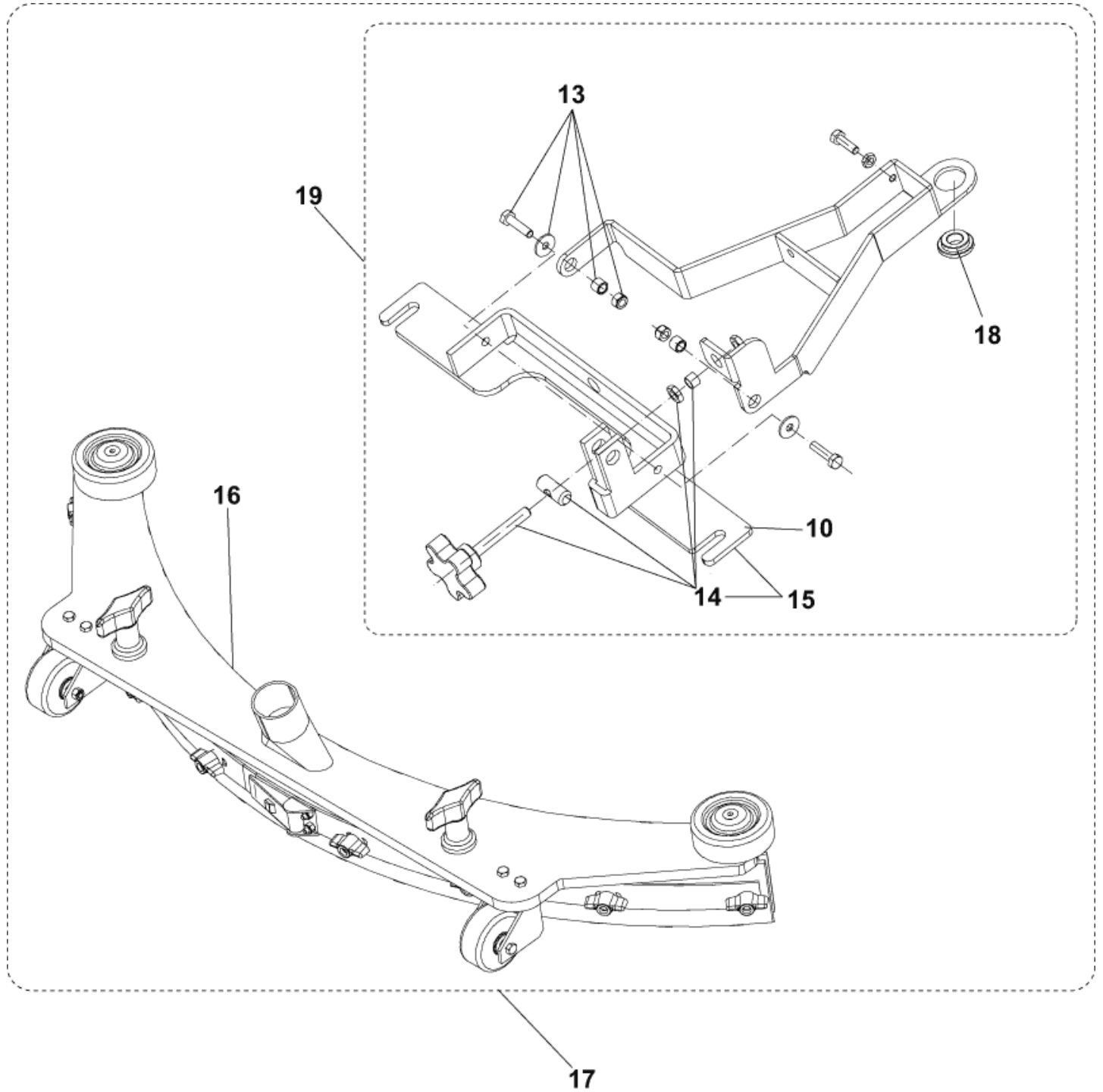
BA 410

13-11-2013

StyMiste ID

E79129

23



Accessory: Squeegee curved

BA 410

13-11-2013

StyMiste ID

E/79129

24

Pos	Vare nr.	Ant	Beskrivelse
10	L08812952	1	HOLDER SQUEEGEE
13	L08812521	1	Fixture F. Nozzle Holder Ba450/530
14	L08812518	1	Adjustm. Screw Set Ba450/530
15	L08603876	1	Kit, Sugefodsholder Ca/BA 430S/510S
16	L08603878	1	Squeegee Komp.Ba450/530
17	909 5916 000	1	Buet Squeegee Kit INST.INSTR.CODE 909 5917 000
18	909 5915 000	1	SPACER
19	909 6047 000	1	SUPPORT SQUEEGEE KIT

Accessories: Brush, pad, others

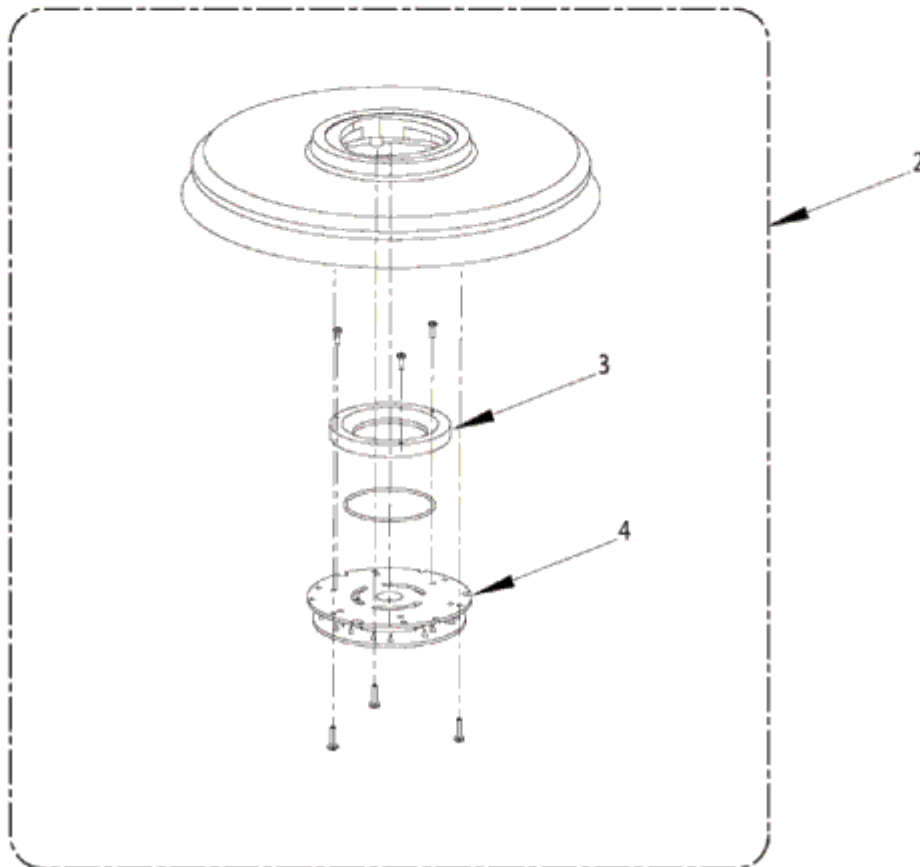
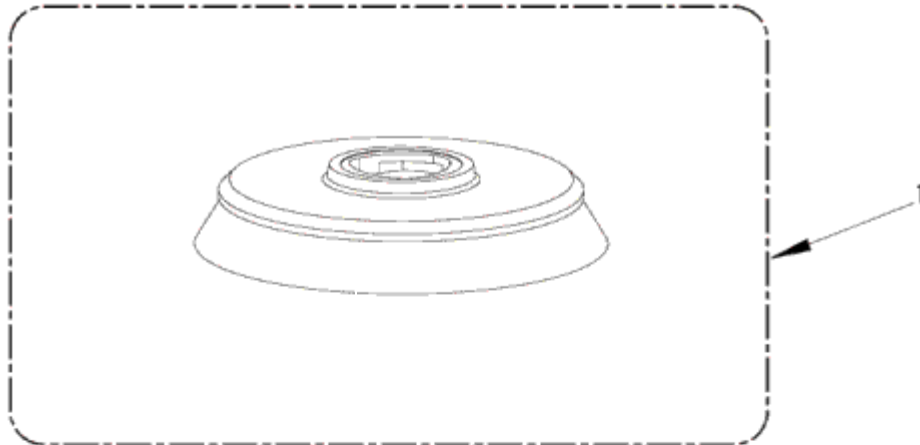
BA 410

13-11-2013

StyMiste ID

E79131

25



Accessories: Brush, pad, others

BA 410

13-11-2013

StyMiste ID

E/79131

26

Pos	Vare nr.	Ant	Beskrivelse
0	909 5065 000	1	Anti-skumfilter
0	9096916000	1	Filter Rentv and Ba410
1	909 5691 000	1	Børste Light Grit 17" Ø430 mm
1	909 5692 000	1	Børste Clean Grit 17", Ø430 mm
1	909 5693 000	1	Børste Prolite 17" Ø430 mm
1	909 5694 000	1	Børste Universal/Union mix 17" Ø430 mm
1	L08812891	1	Børste polypropylen 17" Ø430 mm
2	909 5695 000	1	Rondelholder 17" (Ø430 mm)
3	L08603966	1	Ring Nylon
4	L08837030	1	Centerlås 450/530

ANBEFALEDE RESERVEDELE

BA 410

13-11-2013

StyMiste ID

E79132

27

Ingen tegning

ANBEFALEDE RESERVEDELE

BA 410

13-11-2013

StyMiste ID

E/79132

28

Pos	Vare nr.	Ant	Beskrivelse
1	9097166000	1	Filter Complete Kit
2	L08603893	1	Filternet+Pakn. Til 909 5151 000
3	909 5716 000	1	Pakning Til Låg Ba410
4	9097354000	1	Sugegummi kit poly urethan
6	909 5555 000	4	Fjeder Skinne Ba410 1Stk!
7	L08812891	1	Børste poly propy len 17" Ø430 mm
10	9099687000	1	Hose Drain
11	909 5578 000	1	Hose,Suction
12	909 6060 000	1	Sugeslange
13	909 5579 000	1	Slange
14	145 0227 000	1	Sikring 40 A, Autosikring
15	145 3824 000	1	Sikring 40A,Bladsikring
16	145 9852 000	1	Sikring 5A
19	9099423000	1	Solenoid Valve 24V Kit
20	9099423000	1	Solenoid Valve 24V Kit
21	909 5977 000	1	Magnetventil
22	909 5651 000	1	Holder
23	909 5696 000	1	Avtappingsventil
24	909 5371 000	2	Kul, Sugemotor 410/343
24	9098231000	1	Carbon Brush Kit 2Pcs
25	909 5713 000	1	Sugemotor BA 410
26	909 5371 000	2	Kul, Sugemotor 410/343
27	909 5573 000	1	Kabel, Squeegeerløft
28	909 5700 000	1	Wire,Nalløft Kit BA/CA 410
29	909 5564 000	1	Isolering
30	909 5565 000	1	Lydisolering F. Sugemotor
31	9099805000	1	Gearmotor 520W 24V
32	909 6893 000	1	Carbon Brush Kit -4Pcs-
35	9097184000	1	Vibration Damping M8 60Sh
36	909 5558 000	2	Fjeder
37	909 5397 000	1	Støddæmper Hjul Kit BA 650/750/600S/610D
38	9099410000	2	Wheel D.250X50 Grey
39	909 5099 000	1	Justeringskrue Kit
40	909 5701 000	1	Håndtagsregulering Kit BA/CA 410
41	909 5554 000	1	Sugef odsenhed
42	909 5702 000	1	Sugef od Kompl. BA/CA 410
43	909 5703 000	2	Hjul T/Sugelæbekit BA/CA 410
44	L08603880	2	Stødhjulskit, Sugef od
45	909 6062 000	1	Bøsning Kit
46	107404540	1	Kontakt (0-1)
47	9099967000	1	CARD ELECTRONIC KIT

Pos. 1-7 - Wear parts

Pos. 10-16 - Ordinary maintenance

Pos. 20-51 - Extraordinary maintenance

Pos. 34: 909 5720 000 no more available see TSB IT 20011-072

ANBEFALEDE RESERVEDELE

BA 410

13-11-2013

StyMiste ID

E79132

29

Pos	Vare nr.	Ant	Beskrivelse
48	909 6428 000	1	Lader Indb. Kpl Kit 24V 8A 100-230V
49	9099032000	1	Charger Battery 24V 8A
50	146 0719 000	1	Relæ, Ba410
51	909 5127 000	1	Relæ, BA 410 (Børste)

Pos. 1-7 - Wear parts

Pos. 10-16 - Ordinary maintenance

Pos. 20-51 - Extraordinary maintenance

Pos. 34: 909 5720 000 no more available see TSB IT 20011-072

Wiring diagram - before Serial no. 055121383

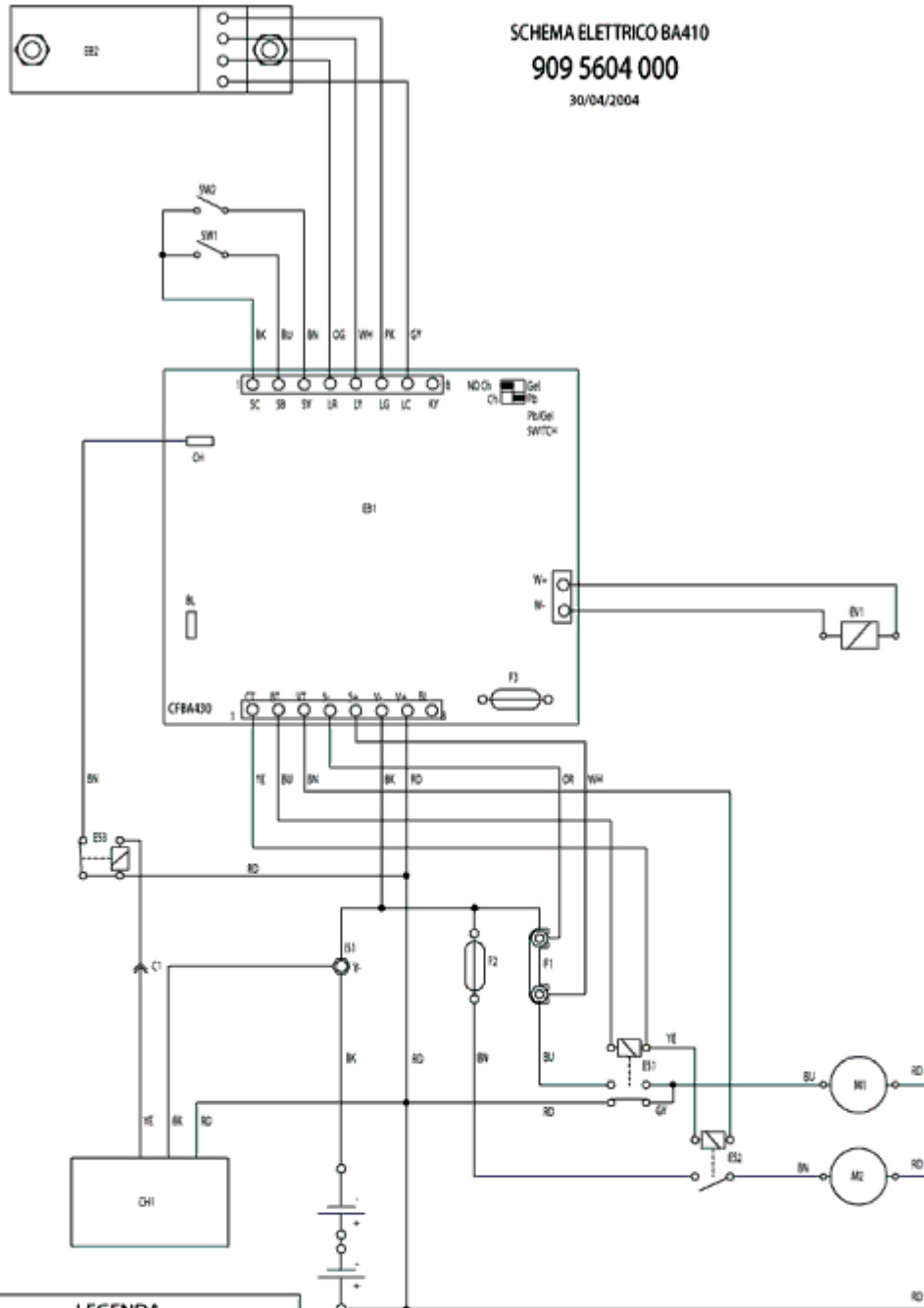
BA 410

13-11-2013

StyMiste ID

E79133

30



LEGENDA

CH	BATTERY CHARGER (OPT)
C1	CHARGER OUTPUT CONNECTOR (OPT)
EB1	ELECTRONIC BOARD (CFBA430)
EB2	LED BOARD (CFBALED)
ES1	BRUSH EL. SWITCH
ES2	VACUUM EL. SWITCH
ES3	CHARGER OUTPUT RELAIS (OPT)
EV1	WATER ELECTRIC VALVE
F1	BRUSH FUSE (40A)
F2	VACUUM FUSE (40A)
F3	WATER VALVE & ELECTR. FUSE (5A)
IS1	NEGATIVE INSULATOR
M1	BRUSH MOTOR
M2	VACUUM MOTOR
SW1	BRUSH SWITCH
SW2	VACUUM SWITCH

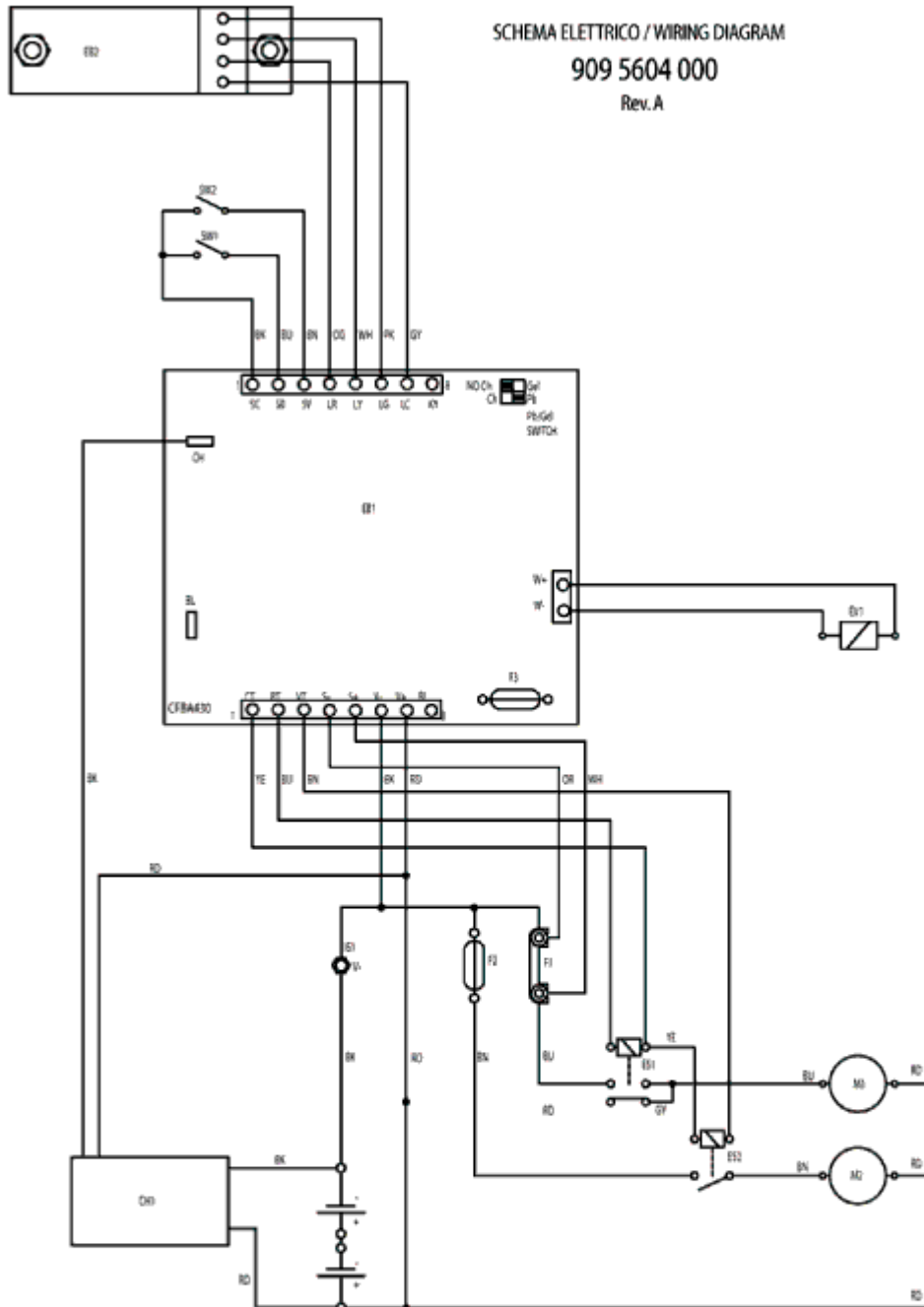
Wiring diagram - before Serial no. 055121383

BA 410

13-11-2013

StyMiste ID E/79133

31



LEGENDA	
Ch	BATTERY CHARGER (OPT)
C1	CHARGER OUTPUT CONNECTOR (OPT)
EB1	ELECTRONIC BOARD (CFBA430)
EB2	LED BOARD (CFBALED)
ES1	BRUSH EL. SWITCH
ES2	VACUUM EL. SWITCH
EV1	WATER ELECTRIC VALVE
F1	BRUSH FUSE (40A)
F2	VACUUM FUSE (40A)
F3	WATER VALVE & ELECTR. FUSE (5A)
IS1	NEGATIVE INSULATOR
M1	BRUSH MOTOR
M2	VACUUM MOTOR
SB1	BRUSH SWITCH
SB2	VACUUM SWITCH

COLORS CODES		
BK	BLACK	nero
BU	BLUE	azzurro
BN	BROWN	marone
GN	GREEN	verde
GY	GREY	grigio
OG	ORANGE	arancio
PK	PINK	rosa
RD	RED	rosso
VT	VIOLET	viola
WH	WHITE	bianco
YE	YELLOW	giallo

Wiring diagram - from Serial no. 055121383

BA 410

13-11-2013

StyMiste ID

E/79134

33