

# UZ 878/878B

---

Model:  
UZ 878/878B



Stykliste Dansk

21-05-2011

# Indholdsfortegnelse

UZ 878/878B

<b>Panel line drawing UZ 878</b>	<b>3</b>
<b>USA PANEL - STREGTEGNING UZ 878</b>	<b>6</b>
<b>Fan unit and sealing rings UZ 878</b>	<b>8</b>
<b>Table, fan unit and cord</b>	<b>10</b>
<b>Cart and frame UZ 878</b>	<b>12</b>
<b>TANK UZ 878</b>	<b>14</b>
<b>Draining pump UZ 878B</b>	<b>16</b>
<b>Hose and tube part numbers UZ 878</b>	<b>18</b>
<b>Nozzles, UZ 878</b>	<b>20</b>

# Panel line drawing UZ 878

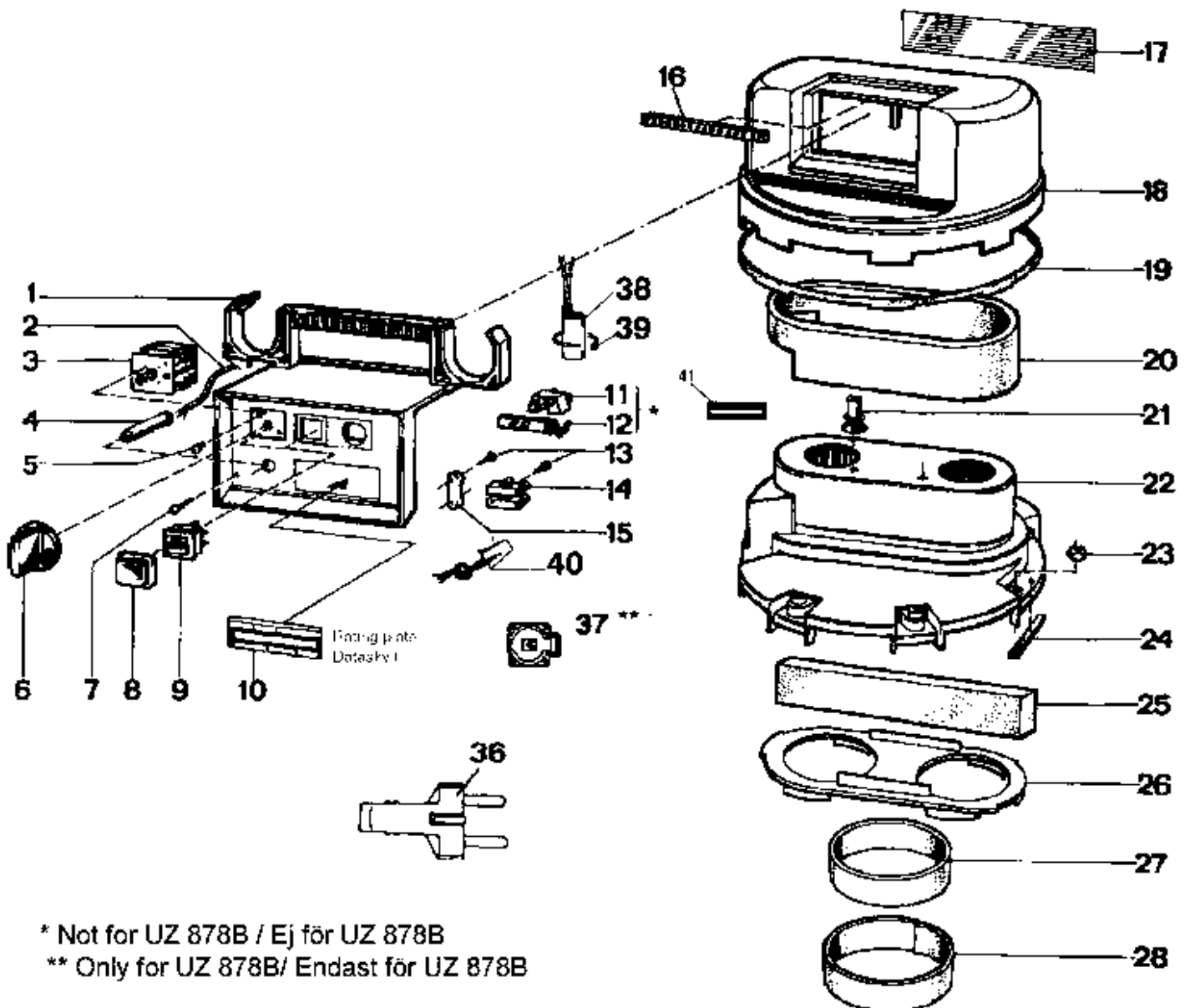
UZ 878/878B

21-05-2011

StyMiste ID

B4312

3



\* Not for UZ 878B / Ej för UZ 878B

\*\* Only for UZ 878B/ Endast för UZ 878B

# Panel line drawing UZ 878

UZ 878/878B

21-05-2011

StyMiste ID

B4312

4

Pos	Vare nr.	Ant	Beskrivelse		EAN
0	140 7794 000	1	BOX CPL. UZ878 N-A.		7319519505
1	140 5428 000	1	PANEL 2-MOTOR 878	B	7319519386
1	140 5428 010	1	PANEL 1-MOTOR 876-7	A	7319519386
1	140 5428 020	1	PANEL UZ-878	C	7319519386
1	140 5428 030	1	PANEL 2-MOTOR FLAMS. 876/ 8	B	7319519386
1	140 5428 040	1	PANEL 1-MOTOR FLAMS.	A	7319519386
1	140 5428 070	1	PANEL SINGLE FAN UNIT UL-APPR.	Replacement for 140 5428 040	7319519680
2		1	NOTE COMMENT	A+B+C - CORD SET, SEE TABLE	5701715456
3	140 6273 000	1	OMSKIFTER UZ878	B+C	7319519394
3	140 6363 000	1	STRØMAFBRYDER 878 16A US	B+C	7319519395
4	140 0467 010	1	SKYDDSHYLSA 877,8	A+B+C	7319519366
5		1	NOTE COMMENT	B+C - SCREW	5701715456
6	140 5512 000	1	VRED UZ878	B+C	7319519387
7		1	NOTE COMMENT	A+B+C - SCREW	5701715456
8	140 5497 000	1	KONTAKTBESLAG	A+B+C	7319519387
9	140 5496 510	1	KONTAKT UZ934 KIT		7319519631
10		1	NOTE COMMENT	RATING PLATE	5701715456
11	010 9678 500	1	OUTLET ELECTRICAL 230V 930-SERIES	A+B	7319519632
12	010 9678 500	1	OUTLET ELECTRICAL 230V 930-SERIES	A+B	7319519632
13		1	NOTE COMMENT	A+B+C - SCREW	5701715456
14	82003700	1	TERMINAL BLOCK	A+B+C	7319519493
15	056 1014 060	1	AFLASTNING, LEDNING GD930	Machine outphased 2005	7319519352
16	140 5963 000	1	GUMMITÅTNING UZ 876/878	A+B+C	7319519391
17	140 7778 000	1	DEKAL NILFISK HD SERIES B Y N-A	A+B+C	7319519504
17	140 7781 000	1	DEKAL EUROCL.HD SERIES BY N-A	A+B+C	7319519601
18	140 5430 000	1	MOTORDÆKSEL UZ876-878	A+B+C	7319519386
18	140 5430 020	1	YTTRE KÅPA FLAMSÅKER 877	A+B+C	7319519386
18	140 5430 070	1	YTTERKÅPA UZ878 GRÅ	A+B+C	7319519504
19	140 5964 000	1	GUMMIPACKNING 877	A+B+C	7319519391
20	140 5511 000	1	DÄMPMATT 877-8	A+B+C	7319519387
21	010 9374 010	1	GENOMFÖRNING UZ 930	Machine outphased 2003	7319519348
22	140 5435 000	1	INNERKÅPA	A	7319519386
22	140 5435 010	1	INNERKÅPA UZ878	B+C	7319519386
23		1	NOTE COMMENT	A+B+C - NUT M5	5701715456
24	140 5965 000	1	TÅTN.LIST 877	A+B+C	7319519391
25	140 6102 000	1	LYDDÆMPNING, UZ878	B+C	7319519392
26	140 5433 000	1	SKIVA UZ877 2-MOTOR	B+C	7319519386
26	140 5434 000	1	SKIVA 1-MOTOR 876-7	A	7319519386
27	140 5966 000	1	LJUDDÄMP-RING	A	7319519391
28	140 5966 010	1	LJUDD-RING 878	A	7319519391
37	140 7552 000	1	VÄGGUTTAG	C	7319519480

# Panel line drawing UZ 878

UZ 878/878B

21-05-2011

StyMiste ID

B4312

5

Pos	Vare nr.	Ant	Beskrivelse		EAN
39	465 0225 010	1	BUNTBAND 200X2,5 MM	A+B+C	7319519449
40	141 6378 000	1	SKARVKLÄMMA UZ 931/877	A+B+C	7319519426

# USA PANEL - STREGTEGNING UZ 878

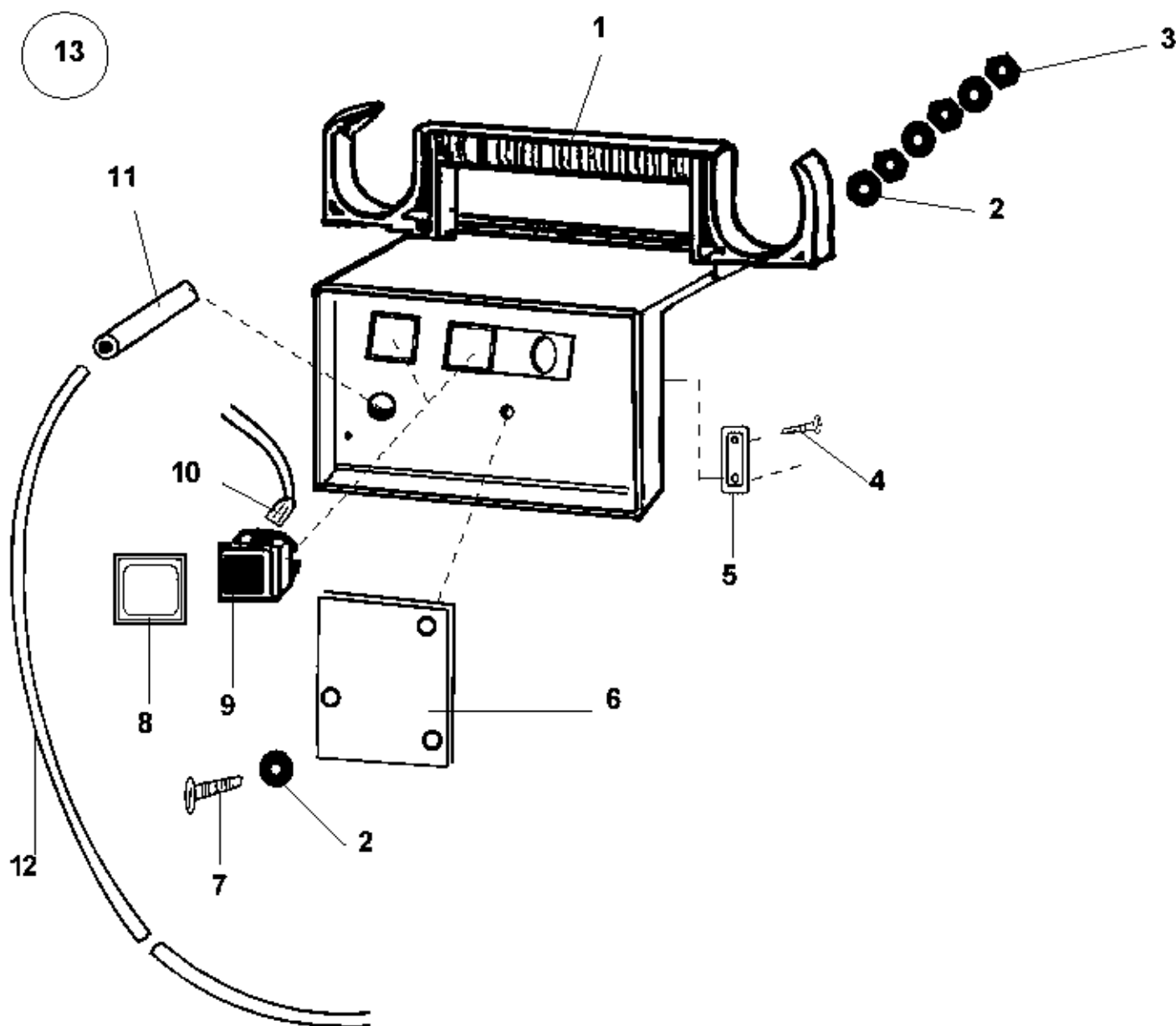
UZ 878/878B

21-05-2011

StyMiste ID

B4314

6



# USA PANEL - STREGTEGNING UZ 878

UZ 878/878B

21-05-2011

StyMiste ID

B4314

7

Pos	Vare nr.	Ant	Beskrivelse	EAN
1	140 5428 040	1	PANEL 1-MOTOR FLAMS.	7319519386
1	140 5428 070	1	PANEL SINGLE FAN UNIT UL-A PPR. Replacement for 140 5428 040	7319519680
2	735 2136 800	4	BRICKA INVTAND 4,3TENNBRO NS	7319519460
3	731 2312 010	3	MUTTER M-6X4 FZ	7319519460
5	056 1014 060	1	AFLASTNING, LEDNING GD930	7319519352
7	724 1295 130	1	SKRUV MÅSS MRX4X20FN	7319519458
8	140 5497 000	2	KONTAKTBESLAG	7319519387
9	140 5496 510	2	KONTAKT UZ934 KIT	7319519631
10	140 1101 100	4	LEDNING 877 USA	7319519367
11	140 0467 010	1	SKYDDSHYLSA 877,8	7319519366
12	140 7559 000	1	SLADD L=15000 MM	7319519483

# Fan unit and sealing rings UZ 878

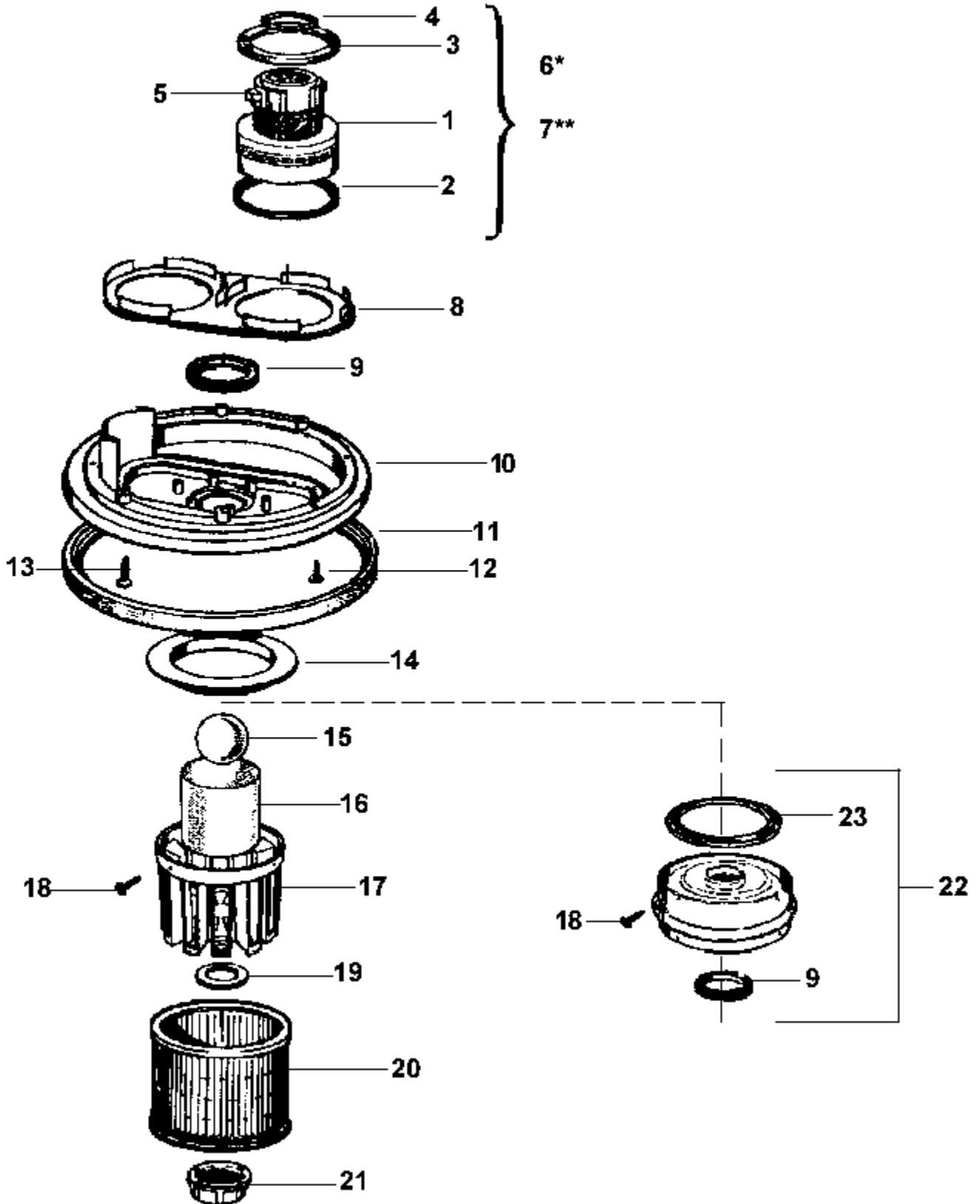
UZ 878/878B

21-05-2011

StyMiste ID

B4316

8





# Fan unit and sealing rings UZ 878

UZ 878/878B

21-05-2011

StyMiste ID

B4316

9

Pos	Vare nr.	Ant	Beskrivelse	EAN
1		1	NOTE COMMENT FAN UNIT, SEE TABLE	5701715456
2		1	NOTE COMMENT SUSPENSION RING, SEE TABLE	5701715456
3		1	NOTE COMMENT SEALING RING, SEE TABLE	5701715456
4		1	NOTE COMMENT SEALING RING, SEE TABLE	5701715456
5		1	NOTE COMMENT CARBON BRUSH, SEE TABLE	5701715456
6	140 7173 000	1	SUGEMOTOR UZ 878 *	7319519406
7	140 7185 000	1	RESERVDELSATS LAMB. **	7319519407
8	140 5433 000	1	SKIVA UZ877 2-MOTOR	7319519386
8	140 5434 000	1	SKIVA 1-MOTOR 876-7	7319519386
9	140 4675 000	1	TÄTNINGSRING 877-8	7319519381
10	140 5432 000	1	UNDERDEL UZ876-8 BLÅ	7319519386
11	140 5543 000	1	BUMPER 877-8+	7319519387
12	724 1328 400	1	SKRUV MRX 5X14 RF	7319519458
13	140 4404 060	1	PT SKRUV RF 8,2/5 X 20	7319519379
14	140 4667 000	1	KLÄMRING 877-8 _	7319519381
15	140 4658 000	1	SVØMMERKUGLE UZ878	7319519381
16	140 4668 000	1	FILTER, VÅD UZ878	7319519381
17	140 4657 010	1	FLOTTÖRKORG UZ 877-878+	7319519381
18	729 5281 400	1	SKRUV RXS B6X13MMRF	7319519459
19	140 6604 000	1	PACKNING	7319519398
20	140 6606 000	1	FILTER, MOTOR UZ876/878	7319519398
21	140 6603 000	1	KAPSYL	7319519398
22	140 6661 010	1	FILTER, HEPA UZ878	7319519399
23	140 6606 000	1	FILTER, MOTOR UZ876/878	7319519398

**Note:**

\* 140 7173 000 Spare part kit for 220-240V machines with serial No. lower than (9)51100001

\*\* 140 7185 000 Spare part kit for 110-120V machines with serial No. lower than (9)5470001

For position number 1 to 5, see the next drawing - at next page.

# Table, fan unit and cord

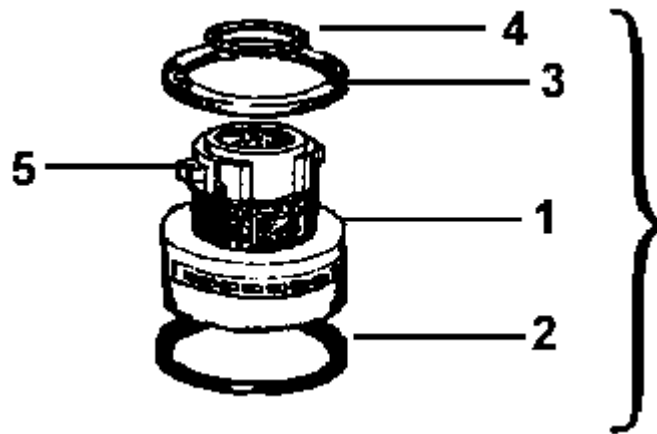
UZ 878/878B

21-05-2011

StyMiste ID

B4318

10



# Table, fan unit and cord

UZ 878/878B

21-05-2011

StyMiste ID

B4318

11

Pos	Vare nr.	Ant	Beskrivelse	EAN
1	140 7154 500	1	MOTOR, 230V 1000W	7319519660
1	140 7154 510	1	FAN UNIT KIT 100V	7319519660
1	140 7154 540	1	FAN UNIT KIT 120V	7319519660
2	140 6644 000	1	PACKNING F-AGG ITY	7319519399
3	140 7159 000	1	MOTORPACKNING_	7319519406
4	140 6749 000	1	PACKNING UZ 878 EMC-AGG	7319519401
5	140 7169 000	1	KOLBORSTE F.140 7154-000	7319519406
5	140 7169 010	1	KOLBORSTE F.140 7154-010/ 020	7319519487

# Cart and frame UZ 878

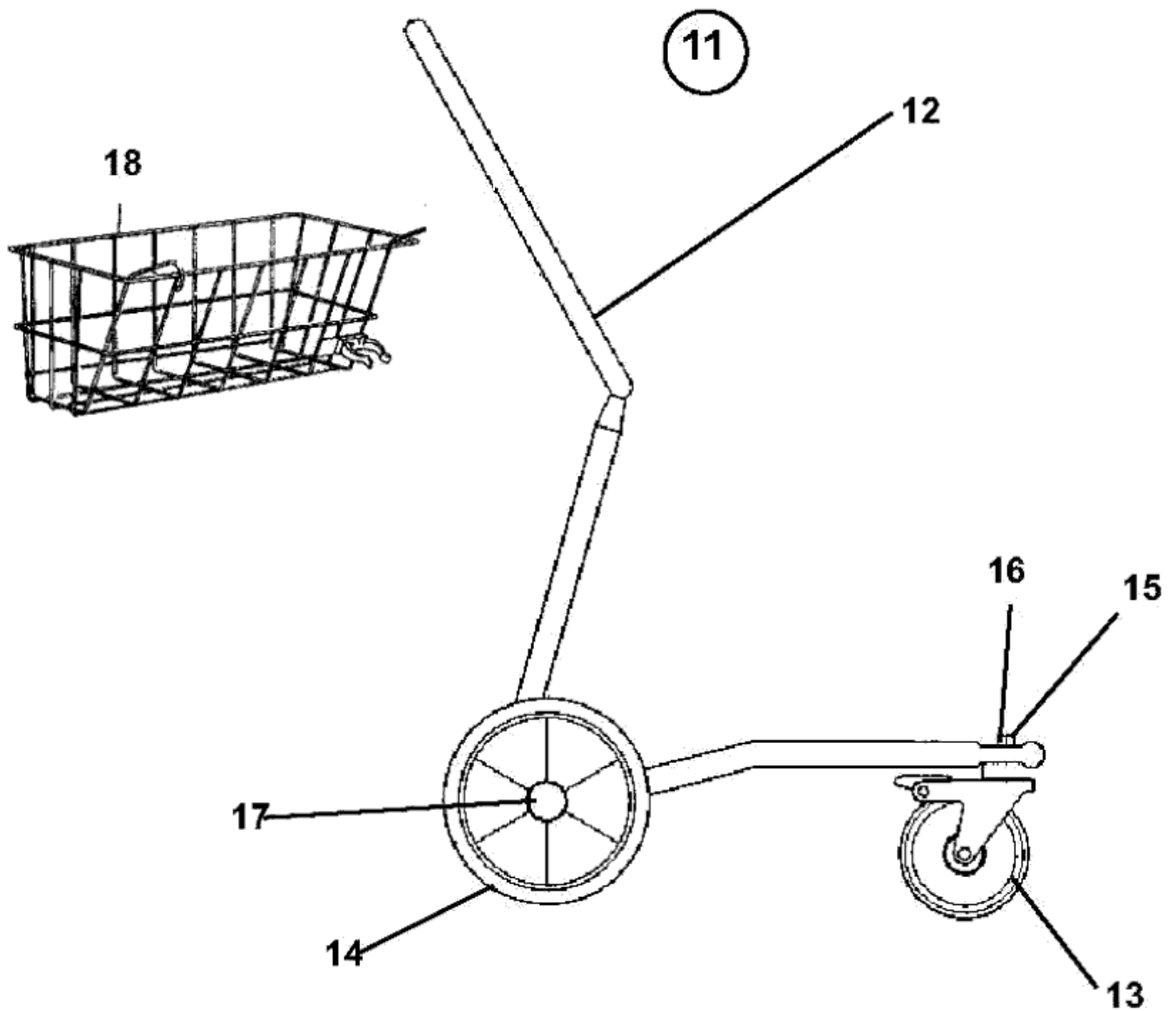
UZ 878/878B

21-05-2011

StyMiste ID

B43110

12



# Cart and frame UZ 878

UZ 878/878B

21-05-2011

StyMiste ID

B43110

13

Pos	Vare nr.	Ant	Beskrivelse	EAN
11	140 7661 000	1	VAGN KPL.	7319519489
12	140 7660 000	1	VAGNSTATIV KPL.	7319519489
13	140 4664 510	1	CASTER WHEEL KIT	7319519672
14	140 8156 000	1	HJUL 200	7319519410
15	725 5500 010	1	SKRUV MC6S 10X45 FZ	7319519459
16	732 2120 010	1	LÅSMUTTER M 10 FZ	7319519460
17	140 8173 000	1	SPÄRRBRICKA	7319519410
18	140 4681 510	1	ACCESSORY BASKET	7319519673

# TANK UZ 878

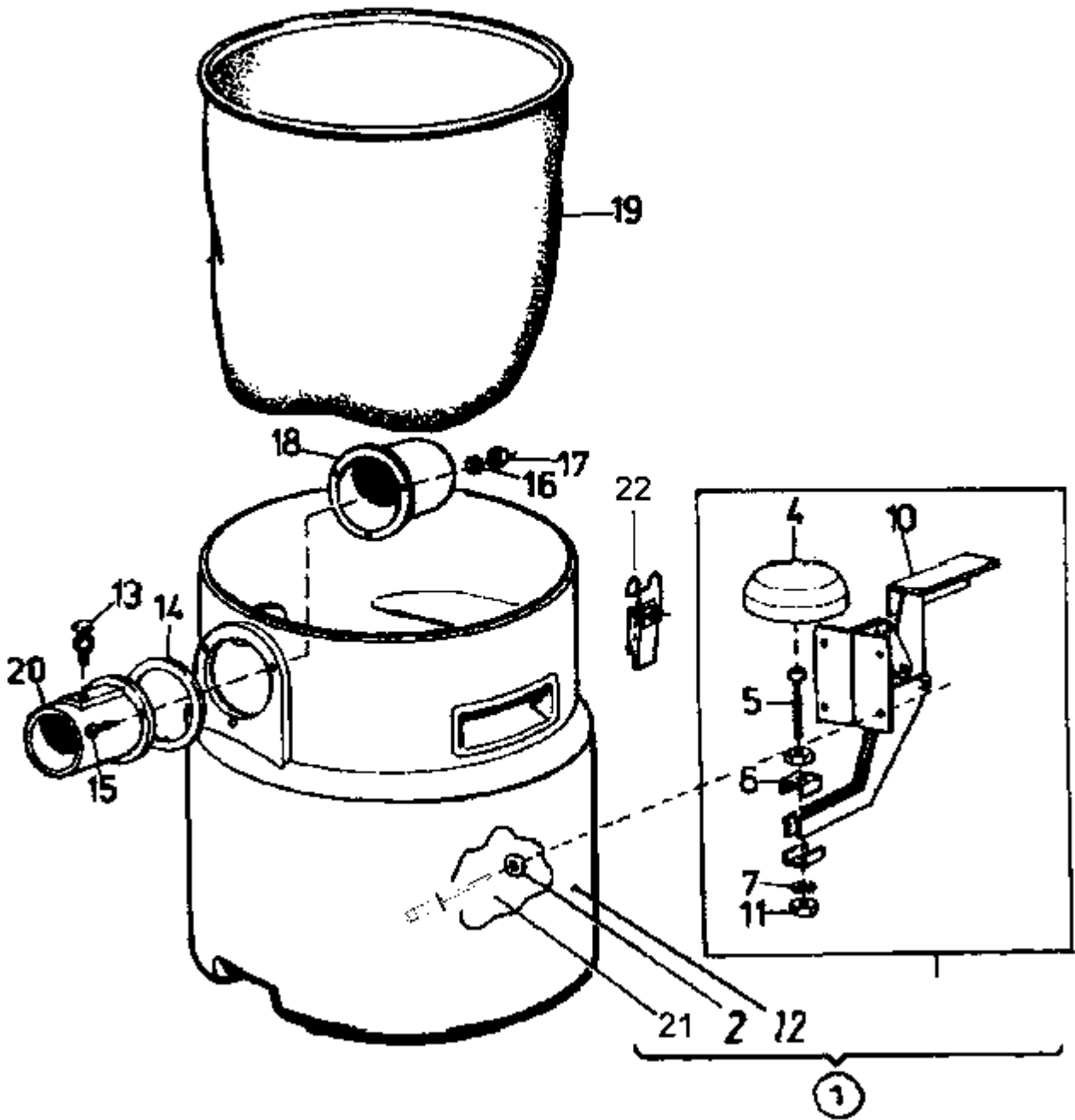
UZ 878/878B

21-05-2011

StyMiste ID

B43112

14



# TANK UZ 878

UZ 878/878B

21-05-2011

StyMiste ID

B43112

15

Pos	Vare nr.	Ant	Beskrivelse	EAN
1	140 4676 030	1	BEHÅLL VIT 60L KPL UZ 878	7319519381
1	140 4676 050	1	BEHÅLLARE KPL GRÅ	7319519480
1	140 5474 010	1	BEHÅLLARE M. PUMP	7319519386
3	724 1329 400	1	SKRUV MRX 5X16 RF	* 7319519458
4	140 0411 000	1	VENTILKÄGLA	* 7319519366
5	724 1376 010	1	SKRUE, STÅL MRX6X35FZ	* 7319519459
6	014 9748 050	1	MUTTERKLÄMMA 878	Machine outphased 2003 7319519352
7	735 2153 010	1	BRICKA UTVTAND 6,4FZ	* 7319519460
8	731 2314 400	1	MUTTER M6M 5RFR	* 7319519460
9	735 2146 800	1	BRICKA INVTAND 5,3TB	* 7319519460
10	140 0190 010	1	BESLAG, TANK UZ878	* 7319519365
11	731 4316 010	1	MUTTER ML6M 6 FZ	* 7319519460
12	140 4508 030	1	BEHÅLLARE VIT 878	7319519389
13	140 3368 000	1	LÅSSNÄPPE	7319519374
14	140 3382 000	1	TÅTNINGSRING 877-8	7319519374
16		1	NOTE COMMENT	Lockwasher 4,3 Z.PI 5701715456
17	731 2312 010	1	MUTTER M-6X4 FZ	7319519460
18	140 4209 000	1	STOS UZ 878	7319519378
19	140 4577 010	1	FILTER, STOF UZ878	7319519380
20	140 3303 000	1	SLANGKOPPLING+	7319519374
21	140 5694 010	1	BLINDNIT 4,8X15,1	7319519389
22	140 8119 500	1	RESERVEDELS KIT UZ878	7319519608

Note:

\*= Not for UZ 878B

Part number 731 2314 400, 735 2146 800, 724 1329 400  
is replaced by rivet 140 5694 010, to be mounted on the lever.

# Draining pump UZ 878B

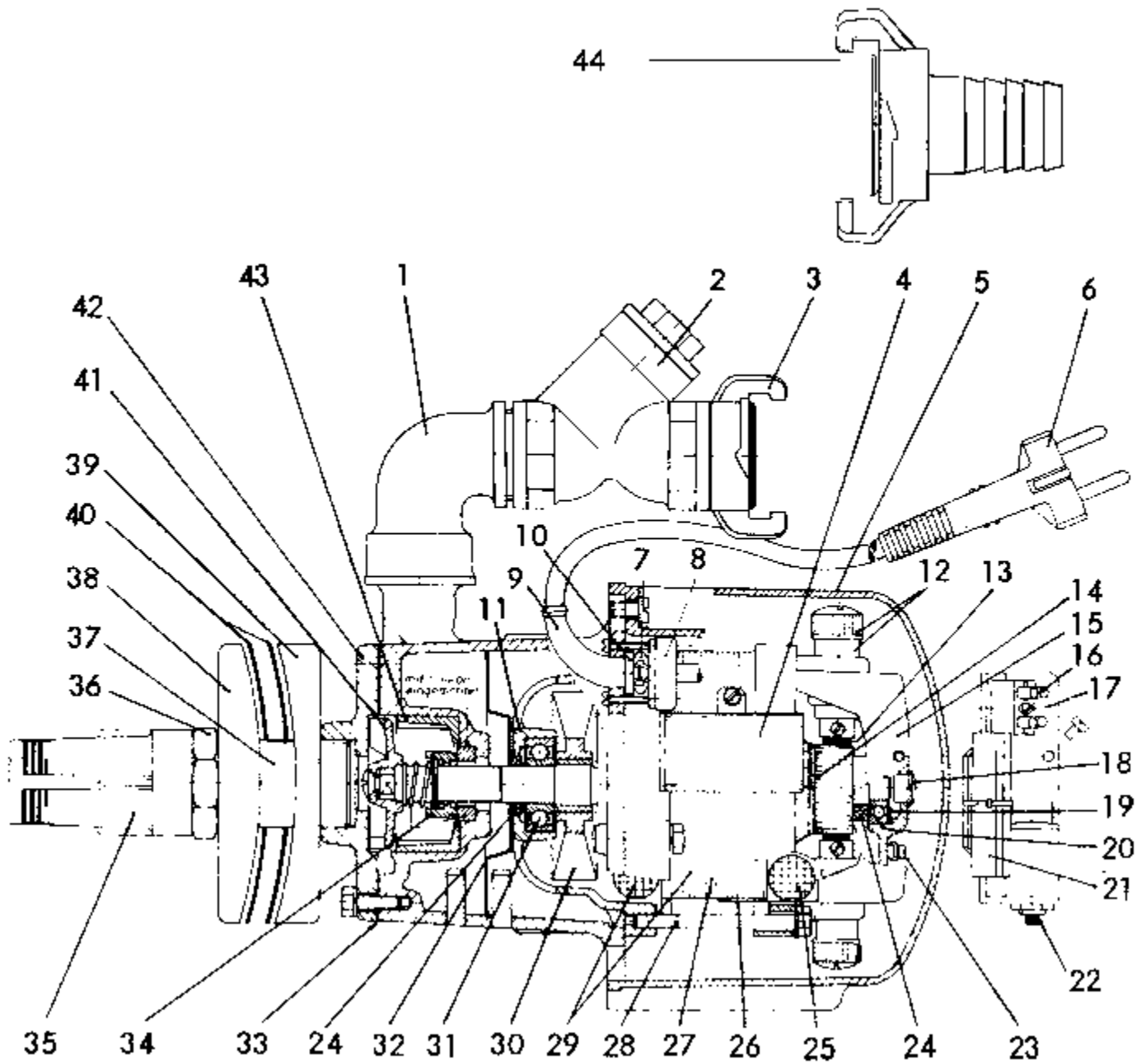
UZ 878/878B

21-05-2011

StyMiste ID

B43114

16





# Draining pump UZ 878B

UZ 878/878B

21-05-2011

StyMiste ID

B43114

17

Pos	Vare nr.	Ant	Beskrivelse	EAN
0	140 5473 000	1	TÖMMNINGS PUMP UZ 868,878 B	7319519386
0	140 5474 010	1	BEHÅLLARE M. PUMP	7319519386
2	095 2008 000	1	BACKVENTIL	7319519364
6	095 2012 000	1	CABLE WITH PLUG 2M	Machine outphased 2003 7319519364
12	095 2018 000	1	CARBON BRUSH HOLDER CPL	Machine outphased 2003 7319519364
13	095 2019 000	1	CARBON BRUSH	Machine outphased 2003 7319519364
15	095 2021 000	1	UPPER BEARING SHIELD F/ UZ 878B	Machine outphased 2003
33	095 2040 000	1	TÄTNING	Machine outphased 2003 7319519364
34	140 5473 000	1	TÖMMNINGS PUMP UZ 868,878 B	7319519386
35	095 2042 000	1	SIL	Machine outphased 2003 7319519364
38	095 2045 000	1	OUTER FLANGE	Machine outphased 2003 7319519605
39	095 2046 000	1	INNER FLANGE	Machine outphased 2003 7319519605
40	095 2047 000	1	GUMMITÄTNING 2X	Since 2003, use glue in stead 7319519364
41	095 2048 000	1	PUMPHJUL	Machine outphased 2003 7319519364
44	140 5505 000	1	GEKA-KOPPL.F.SLANG	7319519387

# Hose and tube part numbers UZ 878

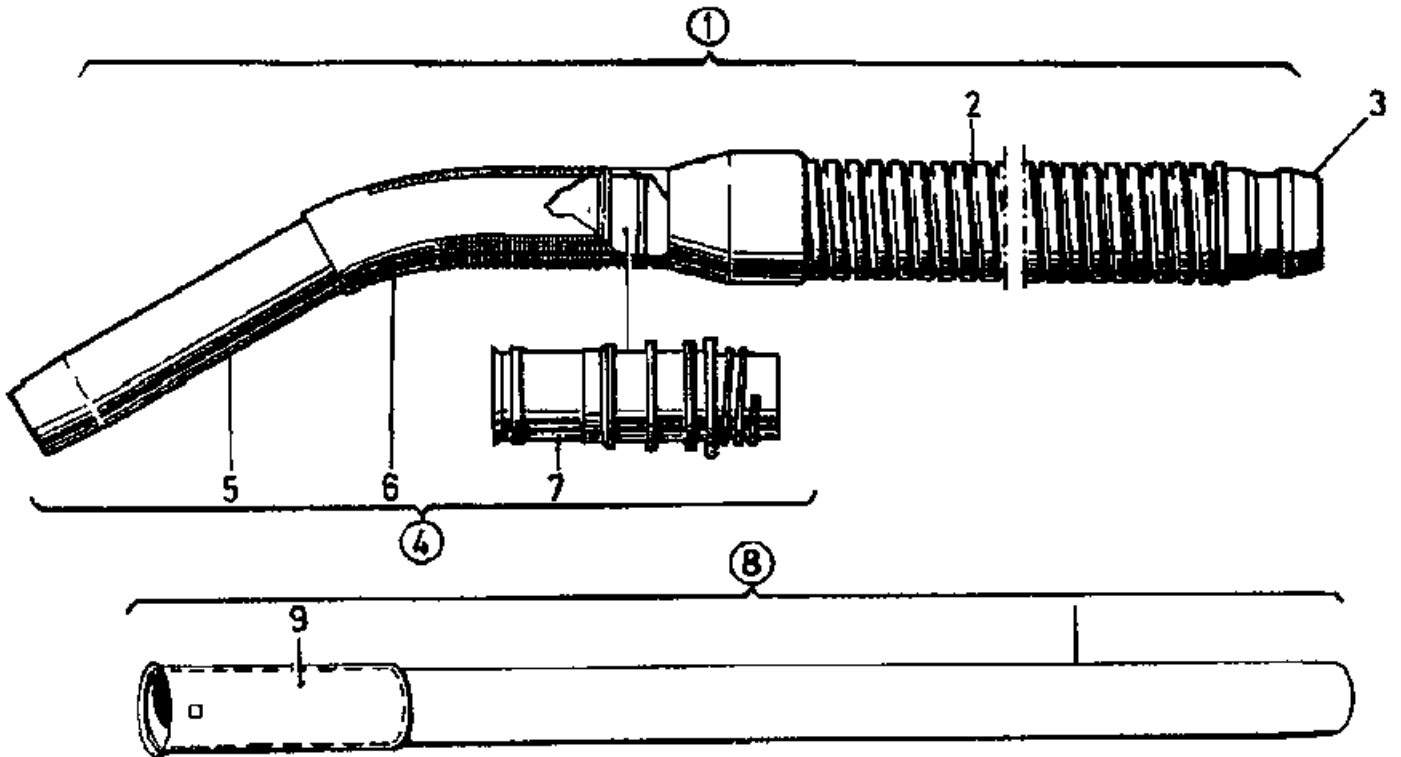
UZ 878/878B

21-05-2011

StyMiste ID

B43116

18



# Hose and tube part numbers UZ 878

UZ 878/878B

21-05-2011

StyMiste ID

B43116

19

Pos	Vare nr.	Ant	Beskrivelse	EAN
1	140 4001 010	1	SUGESLANGE 38MM WD215/260	7319519377
2	140 2148 030	1	SUGESLANGE 38MM LB.MTR.	7319519369
3	140 3304 030	1	SLANGKOBLING 38MM "EC"	7319519374
4	140 5132 000	1	RØR,BUET 38MM	7319519384
5	010 8907 010	1	SLANGMUNSTYCKE 878-Z75 Machine outphased 2003	7319519348
6	140 3126 000	1	HANDTAG Z75 877-8+	7319519373
7	140 4004 000	1	SLANGSKONING+	7319519377
8	011 6451 010	1	RØR, 38MML500MM WD215/260 Machine outphased 2003	7319519351

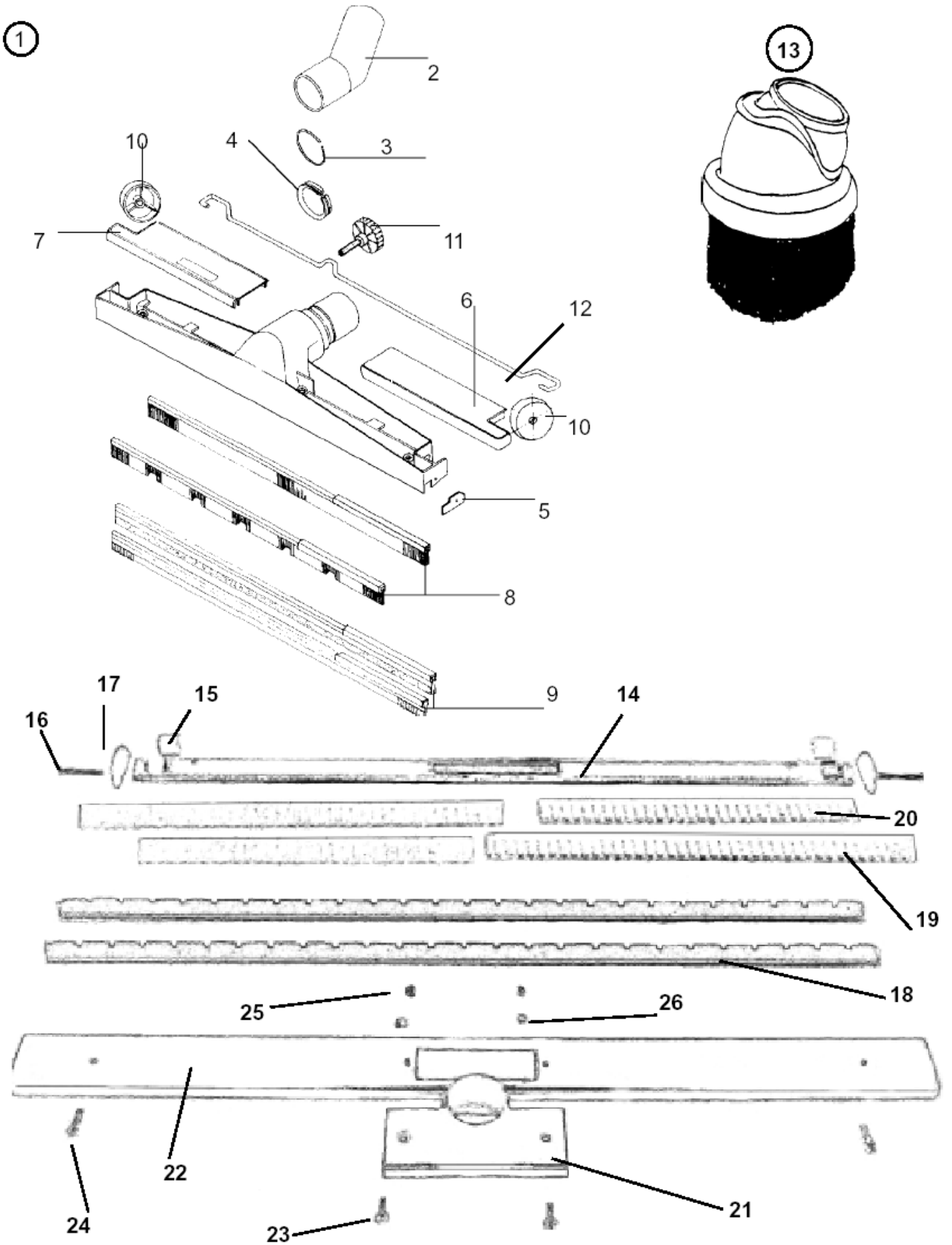
# Nozzles, UZ 878

UZ 878/878B

21-05-2011

StyMiste ID B43119

20



# Nozzles, UZ 878

UZ 878/878B

21-05-2011

StyMiste ID

B43119

21

Pos	Vare nr.	Ant	Beskrivelse	EAN
1	140 3817 000	1	GULVMUNDSTYKKE TØR Ø38	7319519376
1	140 4054 000	1	GULVMUNDSTYKKE,VÅTSUGNING	7319519378
5	093 1678 000	1	LÅSCLIP	7319519355
8	093 1670 000	1	BØRSTESTRIPS 2 STK	Machine outphased 2003 7319519355
9	093 1671 000	1	GUMMISTRIPS 45CM 2 STK. TIL 140 4054 000	Machine outphased 2003 7319519355
13	010 7031 000	1	RUNDBØRSTE Ø38	Machine outphased 2003 7319519347
14	140 0020 010	1	UNDERDEL MUNSTYCKE UZ 878	7319519364
15	140 0021 000	1	RULLE UZ 930 876/877	7319519364
16	140 0023 000	1	SKRUV UZ 861	7319519364
17	140 0055 000	1	GAVELSTYCKE UZ 161,2	7319519364
18	140 0056 020	1	BØRSTE,FRONTMUNDSTYKKE	7319519364
19	140 0148 000	1	GUMMI, UZ161	7319519365
20	140 0148 010	1	GUMMI,BAG FRONTMUNDST.161	7319519365
21	140 0092 010	1	SLANGANSL 868	7319519364
22	140 0382 040	1	ÖVERDEL TILL MUNSTYCKE	7319519366
23	724 1329 400	1	SKRUV MRX 5X16 RF	7319519458
24	724 1332 400	1	SKRUV MRX 5X22 MM RF UZ87 6-8	7319519458
25	731 2314 400	1	MUTTER M6M 5RFR	7319519460
26	735 2146 720	1	LÅSBRICKA 5,3 RF	7319519460