

# S2B - S3B

---

Model:

S2B

S2B OEM

S2B SPECIAL

S3B

S3B OEM

S3B SPECIAL



Part List US-English

15-07-2011

# Table of Contents

S2B - S3B

<b>Car 01</b>	<b>3</b>
<b>Car 02</b>	<b>5</b>
<b>Container unit</b>	<b>7</b>
<b>Liquid kit</b>	<b>9</b>
<b>Filter group</b>	<b>11</b>
<b>Suction unit</b>	<b>13</b>
<b>Recommended Spare Parts</b>	<b>15</b>

# Car 01

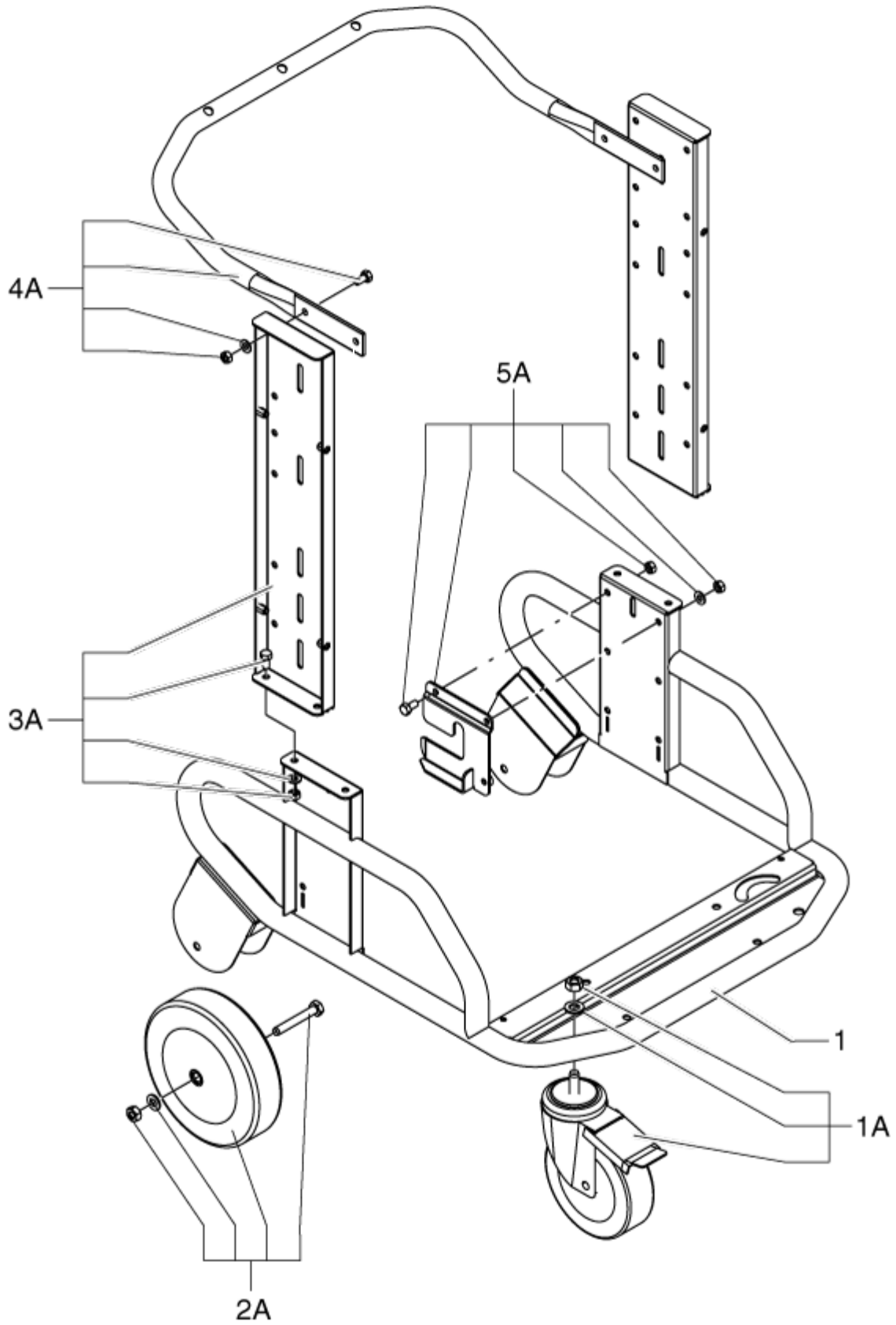
S2B - S3B

15-07-2011

Part List ID

01

3



# Car 01

S2B - S3B

15-07-2011

Part List ID 01

4

Pos	Part no.	Qty	Description	EAN
1	4083600611	1	TROLLEY FOR MODEL S2-S3 R7016	5711141089
1A	40000874	1	kit revolv. castor D150	5711141089
2A	40000873	1	WHEEL D200 KIT	5711141089
3A	40000871	1	UPRIGHT KIT	5711141089
4A	40000891	1	HANDLEKIT	5711141089
5A	40000872	1	BINRELEASEKIT	5711141089

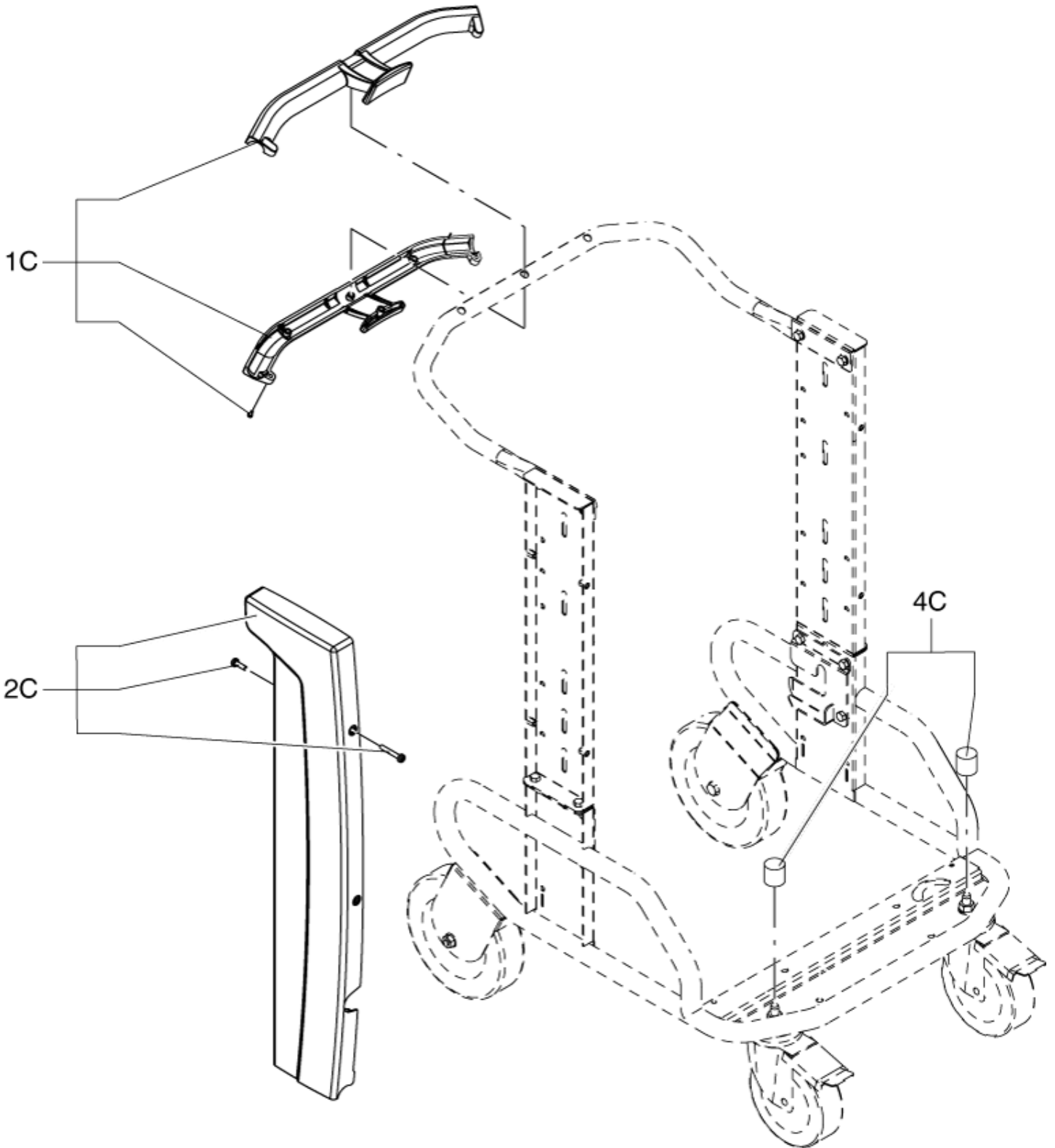
# Car 02

S2B - S3B

15-07-2011

Part List ID 03

5



# Car 02

S2B - S3B

15-07-2011

Part List ID 03

6

Pos	Part no.	Qty	Description	EAN
1C	40000855	1	HANDLEKIT	5711141092
2C	40000864	1	UFRIGHT PROTECTIONKIT	5711141092
4C	40000870	1	PROTECTIONKIT	5711141099

# Container unit

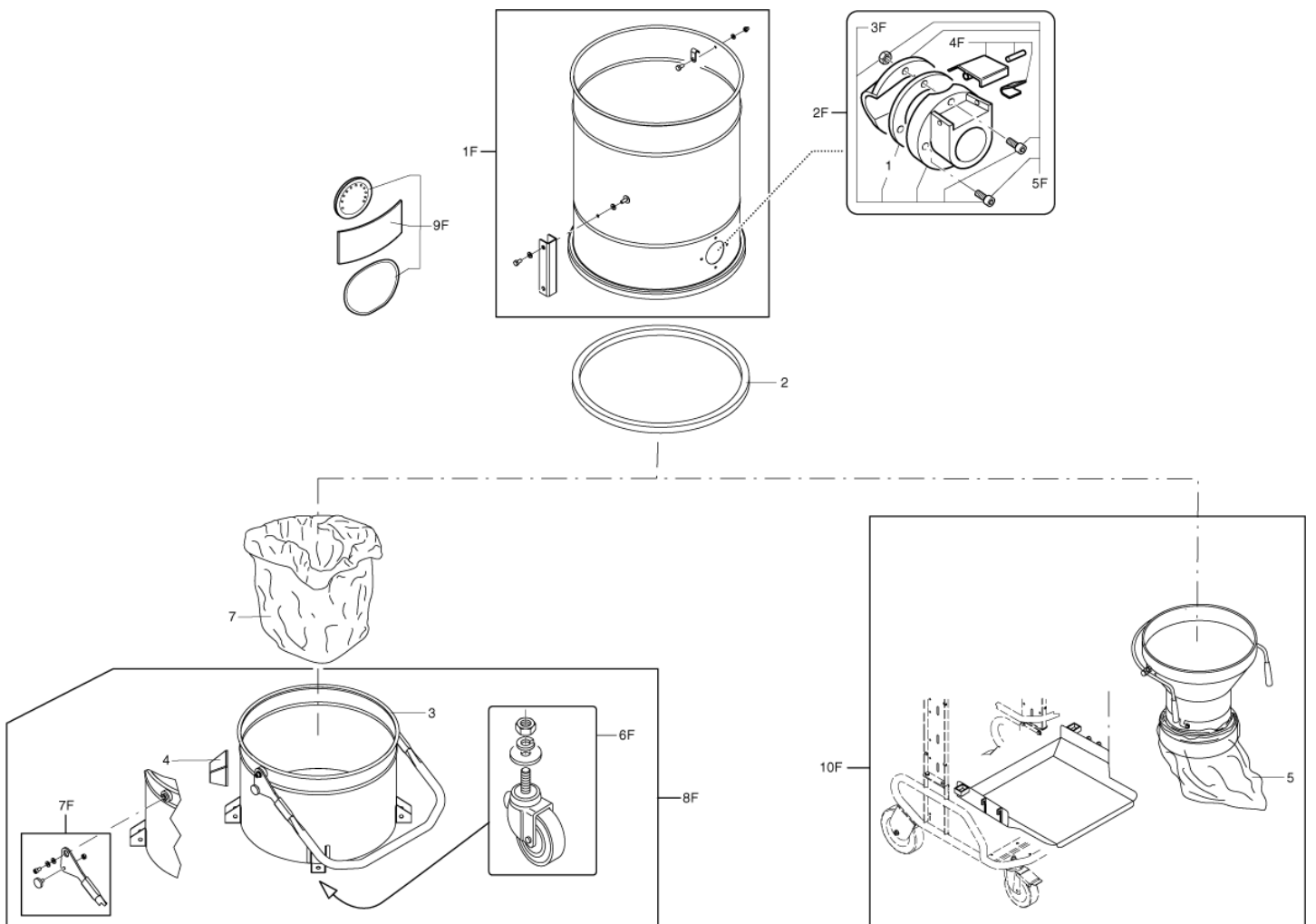
S2B - S3B

15-07-2011

Part List ID

06

7



# Container unit

S2B - S3B

15-07-2011

Part List ID 05

8

Pos	Part no.	Qty	Description	EAN
1	Z8 17006	1	INLET SEAL D70	5711141051
2	40000762	1	SEAL	5711141017
3	4083000493	1	BIND460 L50 MODEL-S2-S3	5711141089
3	4083000495	1	BIND460 L100 FOR MODEL S3	5711141089
3	4083000552	1	BIND460 S3 L100 GRILL AND DEP	5711141092
4	Z8 17021	4	BUMPER WHEEL HOLDER	5711141051
5	4084000956	1	MN PACKAGE 4x20 MT 55 MICRON LONGOPAC	5711141086
5	4084001017	1	PACKAGE OF 5 BAGS D460 LDPE	5711141086
7	Z8 40099	1	BAG POLYETHYLENE LDPE 3306	5711141070
1F	40000869	1	FILTER CHAMBER KIT	5711141089
2F	40000868	1	D70 INLET FULL KIT	5711141089
3F	40000867	1	D70 INLET KIT	5711141089
4F	40000345	1	KIT PUSH-BUTTON FOR INLET D70	5711141012
5F	40000395	1	KIT DEFLECTOR D70	5711141013
6F	40000419	1	KIT CASTORS FOR CONTAINER	5711141013
7F	40000866	1	HANDLE KIT L50	5711141092
7F	40000879	1	HANDLE KIT L100	5711141092
8F	4083000496	1	COMP.BIND460 L50 MS2-S3	5711141080
8F	4083000497	1	COMP.BIND460 L100 MS3	5711141080
8F	4083000555	1	COMPLETE BIND460 L100 S3 F.DEPR	5711141088
9F	40000944	1	STICKER KIT	5711141086
10F	4056000468	1	DISCHARGE KIT MS2-S3-T30S	5711141087



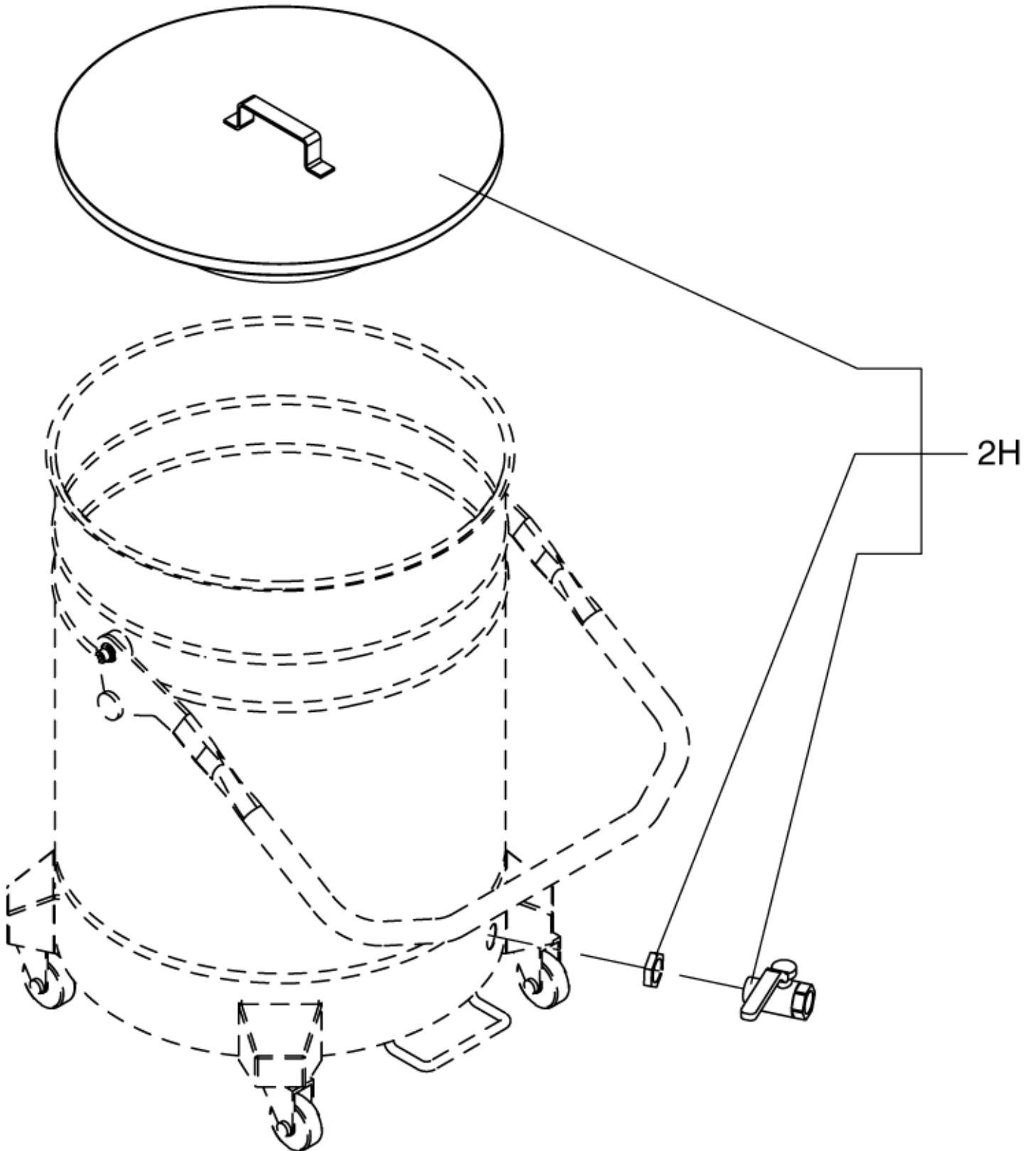
# Liquid kit

S2B - S3B

15-07-2011

Part List ID 09

9



# Liquid kit

S2B - S3B

15-07-2011

Part List ID

09

10

Pos	Part no.	Qty	Description	EAN
2H	Z5 60034	1	GRID AND VALVED 460 FE COMPLETE	5715492042

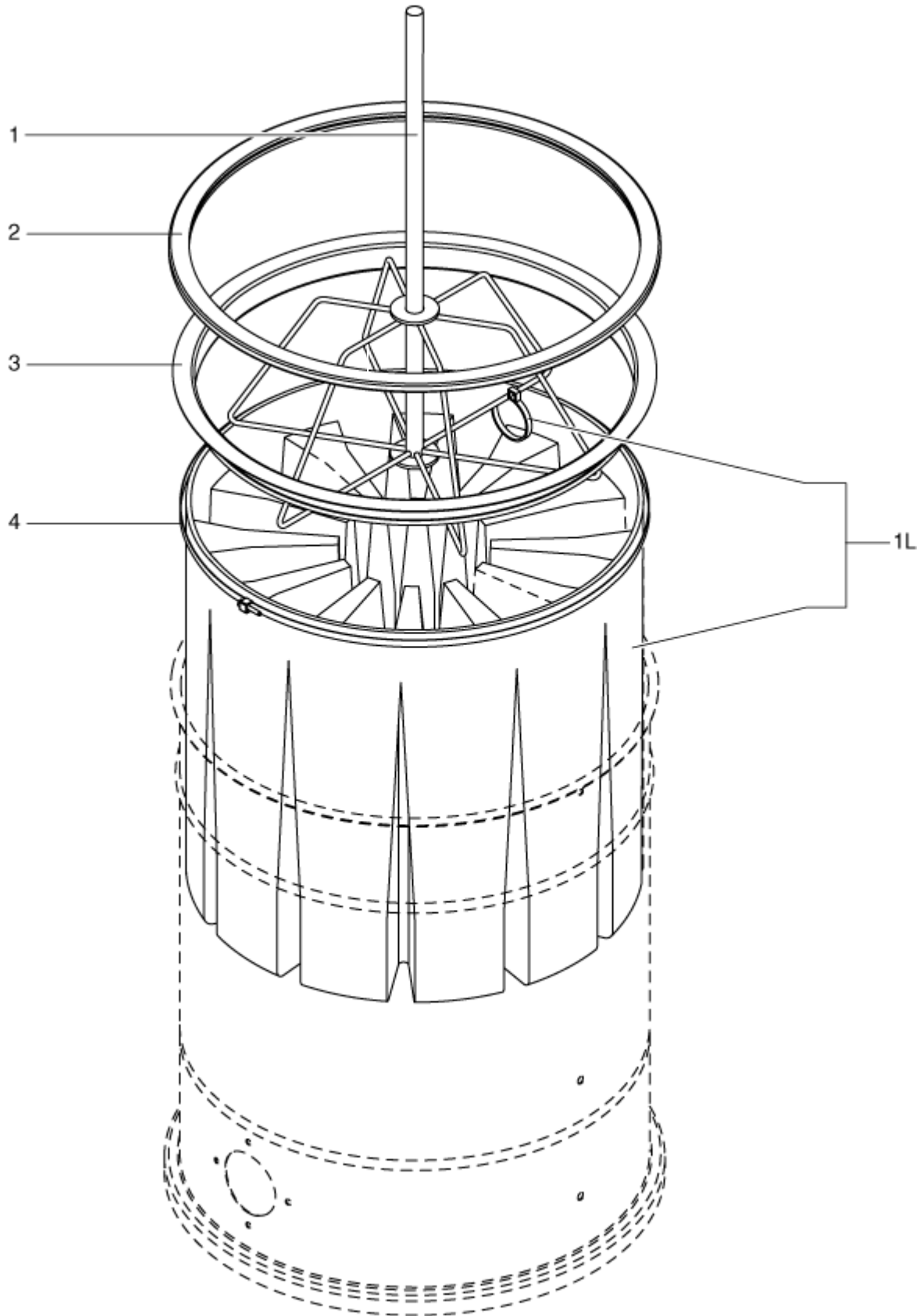
# Filter group

S2B - S3B

15-07-2011

Part List ID 11

11



# Filter group

S2B - S3B

15-07-2011

Part List ID

11

12

Pos	Part no.	Qty	Description	EAN
1	Z8 33093	1	STAR CAGED460 MCD317	5711141063
1	Z8 33093 1	1	STAR CAGED460 FILTER BIG SIZE	5711141063
2	Z8 17026	1	FILTER SEAL D460 BLACK	5711141051
2	Z8 17126	1	FILTER SEAL D460 SILIC	5711141051
3	Z8 15003	1	FILTER HOLDER RING D460 FE	5711141049
3	Z8 15010	1	FILTER HOLDER RING D460 INOX	5711141049
4	Z8 18079	1	FILTER BLOCK TIED460	5711141054
1L	40000338	1	KIT STAR FILTER D460 L CLASS	5711141012
1L	40000699	1	18 POCKET STAR FILTER KIT MCLASS	5711141016

# Suction unit

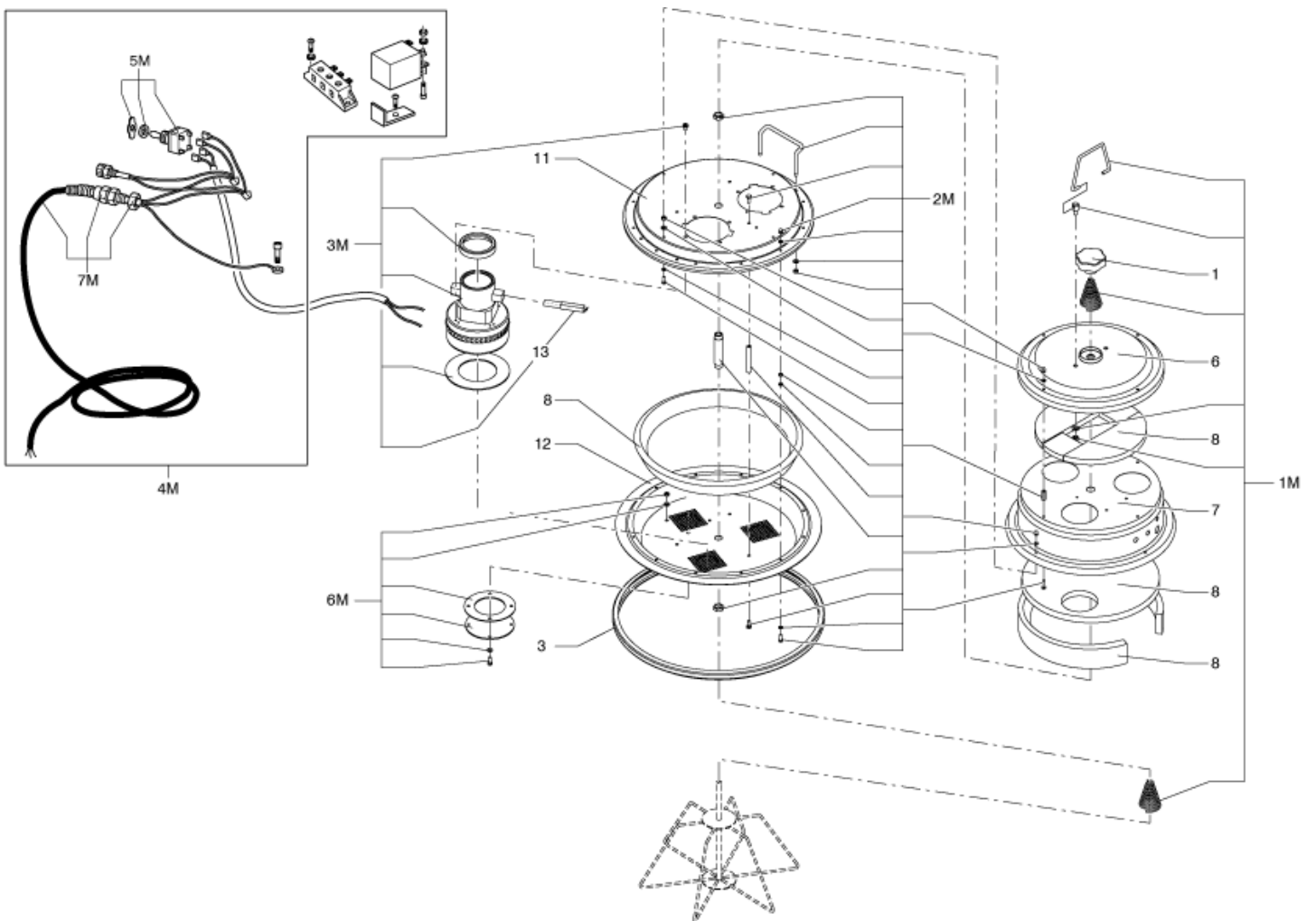
S2B - S3B

15-07-2011

Part List ID

13

13



# Suction unit

S2B - S3B

15-07-2011

Part List ID 13

14

Pos	Part no.	Qty	Description	EAN
1	Z8 40027	1	KNOB D70 M12 NO HOLE	5711141070
3	Z8 36191	1	BAND LOCK D460	5711141065
6	4083500258	1	COVER 460 SC MS2/S3B R7016	5711141093
7	Z8 16066	1	MOTOR COVER D460 2F	5711141094
7	Z8 16067	1	HEAD COVER D460 3F	5711141060
8	Z8 17229	1	KIT SOUND PROOF D460 M317	5711141052
11	4081600597	1	FIX MOTOR FOR COVER D460 2F SC R7016	5711141093
11	4081600598	1	FIX MOTOR FOR COVER D460 3F RAL7016	5711141093
12	4081600599	1	MOTOR COVER D460 3F MS2/S3B RAL 7016	5711141093
13	40000885	1	MOTOR BRUSH KIT V230	5711141093
13	40000886	1	MOTOR BRUSH KIT V120	5711141093
1M	40000473	1	KIT FILTER-SHAKER	5711141014
2M	40000936	1	KIT HEADER ASSEMBLING	5711141093
3M	40000937	1	MOTOR KIT V230	5711141093
3M	40000938	1	MOTOR KIT V110 UK	5711141093
4M	40000939	1	ELECTRICAL KIT V110 UK 3 MOTORS	5711141093
4M	40000940	1	ELECTRICAL KIT V110 UK 2 MOTORS	5711141093
4M	40000941	1	ELECTRICAL KIT V230 3 MOTORS	5711141093
4M	40000942	1	ELECTRICAL KIT V230 2 MOTORS	5711141093
5M	40000516	1	kit switch	5711141014
6M	40000901	1	S2 MOTOR CLOSING KIT	5711141092
7M	40000909	1	CABLE KIT V230 EU	5711141092
7M	40000910	1	S2B CABLE KIT V110 UK	5711141092
7M	40000923	1	S3B CABLE KIT V110 UK	5711141092

# Recommended Spare Parts

S2B - S3B

15-07-2011

Part List ID 15

15

No Drawing For Part List

# Recommended Spare Parts

S2B - S3B

15-07-2011

Part List ID 15

16

Pos	Part no.	Qty	Description	EAN
	40000338	1	KIT STAR FILTER D460 L CLASS	5711141012
	40000345	1	KIT PUSH-BUTTON FOR INLET D70	5711141012
	40000395	1	KIT DEFLECTOR D70	5711141013
	40000419	1	KIT CASTORS FOR CONTAINER	5711141013
	40000864	1	UFRIGHT PROTECTION KIT	5711141092
	40000866	1	HANDLE KIT L50	5711141092
	40000867	1	D70 INLET KIT	5711141099
	40000868	1	D70 INLET FULL KIT	5711141099
	40000869	1	FILTER CHAMBER KIT	5711141099
	40000870	1	PROTECTION KIT	5711141099
	40000871	1	UFRIGHT KIT	5711141099
	40000872	1	BIN RELEASE KIT	5711141099
	40000873	1	WHEEL D200 KIT	5711141099
	40000874	1	kit revolv. castor D150	5711141099
	40000879	1	HANDLE KIT L100	5711141092
	40000885	1	MOTOR BRUSH KIT V230	5711141093
	40000886	1	MOTOR BRUSH KIT V120	5711141093
	40000909	1	CABLE KIT V230 EU	5711141092
	40000910	1	S2B CABLE KIT V110 UK	5711141092
	40000923	1	S3B CABLE KIT V110 UK	5711141092
	40000937	1	MOTOR KIT V230	5711141093
	40000938	1	MOTOR KIT V110 UK	5711141093
	4083000496	1	COMP.BIND460 L50 MS2-S3	5711141090
	4083000497	1	COMP.BIND460 L100 MS3	5711141090
	Z8 33093	1	STAR CAGED460 MOD.317	5711141063