

ATTIX 965-21 SD XC

Model:
ATTIX 965-21 SD XC



Stykliste Dansk

21-06-2011

Indholdsfortegnelse

ATTIX 965-21 SD XC

Cabinet SD XC	3
Base SD XC	5
Filter system	7
Motor and motor top SD XC	9
Container top and chassis SD XC	11
Container SD XC	13
Tilbehør	15
ANBEFALEDE RESERVEDELE	17

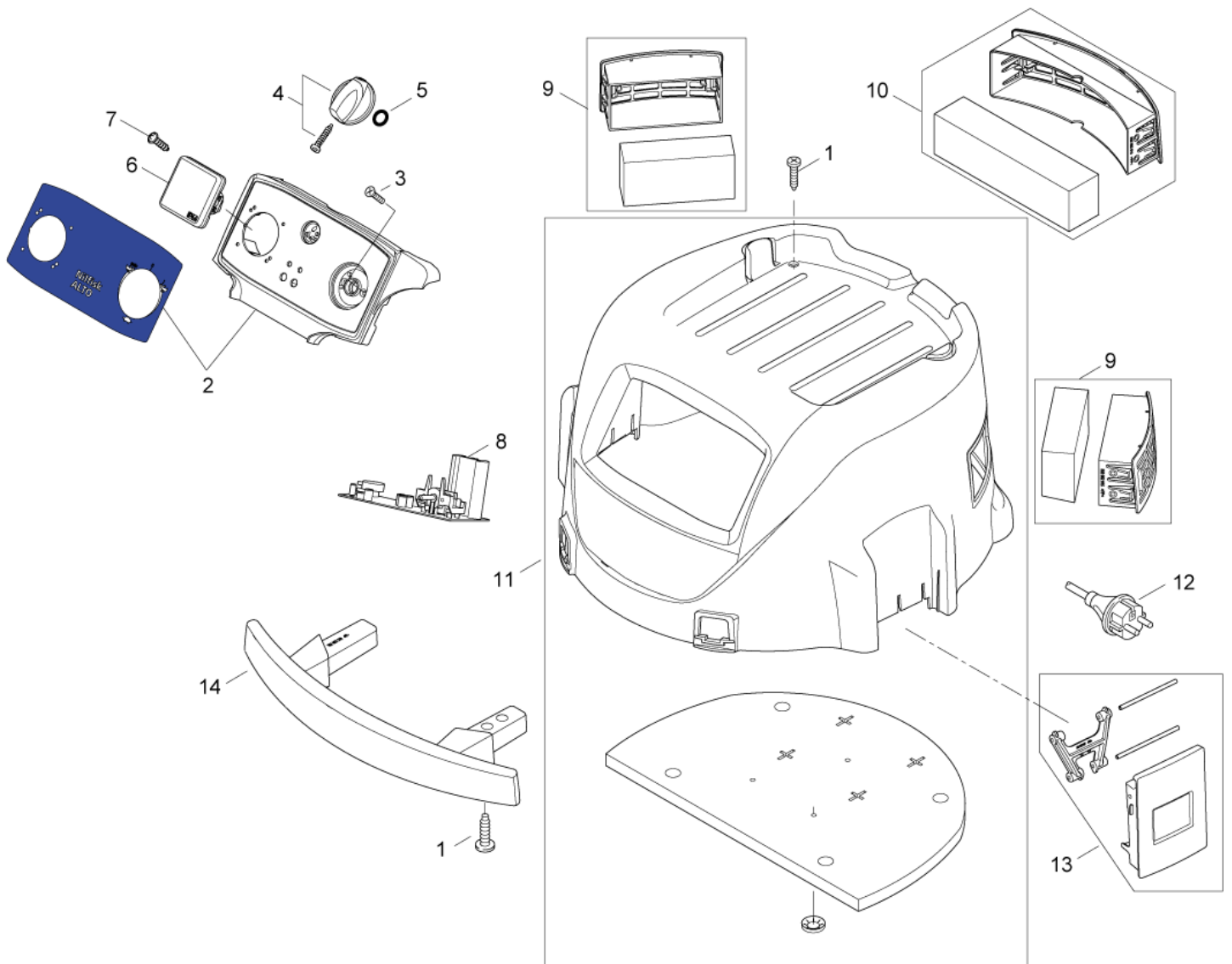
Cabinet SD XC

ATTIX 965-21 SD XC

21-06-2011

StyMiste ID
ATTIX903

3



Cabinet SD XC

ATTIX 965-21 SD XC

21-06-2011

StyMiste ID
ATTIX903

4

Pos	Vare nr.	Ant	Beskrivelse	EAN
0	302003274	1	SHIPPING CARTON BOX ATTIX 9 SD	4005337132
1	302003319	1	SKRUE-SÆT	4005337140
2	302003381	1	DISPLAY AUTO-0-I +SD ATTIX9	4005337136
3	18274	2	SKRUE M4X12	4005337182
4	909100204	1	DREJEKNAP	4005337689
5	9868	1	O-RING 10.0X2.5	4005337098
6	302004034	1	STIKDÅSE 16A/250V EU	4005337147
8	107401081	1	ELEKTRONIK AUTO-0-I KIT	7319519675
9	302003397	2	FILTER	4005337136
10	302003398	1	UDBLÆSNINGSFILTER ATTIX 9	4005337136
11	302003425	1	HOOD KIT ATTIX 9 XC	4005337139
12	107402666	1	POWERCORD 1.5X10.8M CEE7 EU	7319519683
12	302002788	1	LTG NETZ H07RN-F3G1.5X10.6M	4005337129
12	302002789	1	CABLE 10.6 METER CH	4005337158
12	302002790	1	LTG NETZ H07BQ-F3G2.5X10.8M CE	4005337129
12	302002791	1	WIRE NETZ H07RN-F3G1.0X10.8M SRAF1962 D	4005337158
13	302003383	1	LUKKECLAMP	4005337136
14	302002590	1	HÅNDTAG	4005337128

Base SD XC

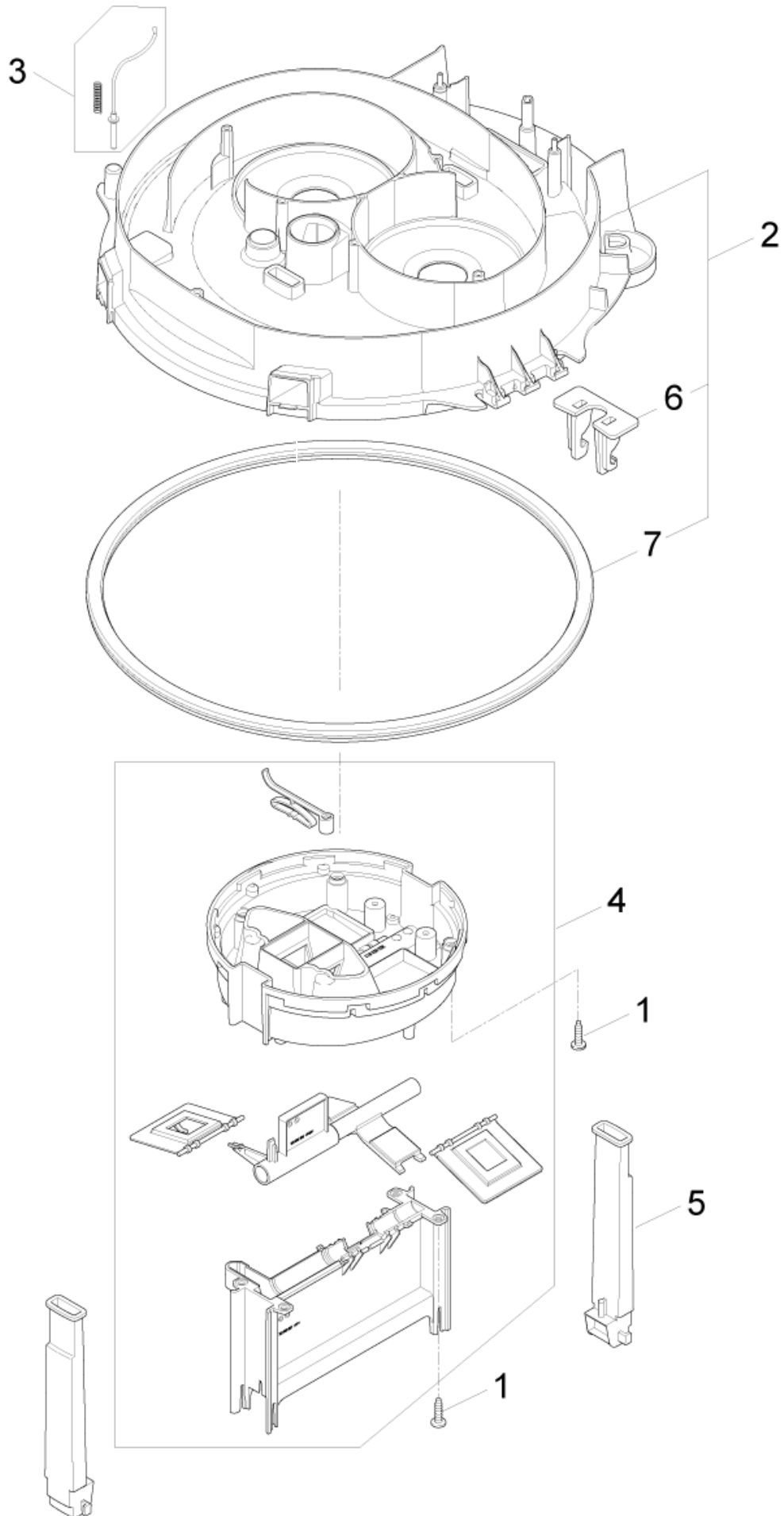
ATTIX 965-21 SD XC

21-06-2011

StyMiste ID

ATTIX907

5



Base SD XC

ATTIX 965-21 SD XC

21-06-2011

StyMiste ID

ATTIX907

6

Pos	Vare nr.	Ant	Beskrivelse	EAN
1	302003319	1	SKRUE-SÆT	4005337140
2	302003598	1	MONTERINGSPLADE	4005337158
3	302002678	1	FJEDER INCL. WIRE	4005337128
4	302003422	1	FILTER RENG. SYSTEM XC	4005337139
5	302000514	2	PAKNING	4005337023
6	302000512	1	KROG F.FILTERHOLDER ATTIX	4005337020
7	302001432	1	PAKNING CONTAINER	4005337067

Filter system

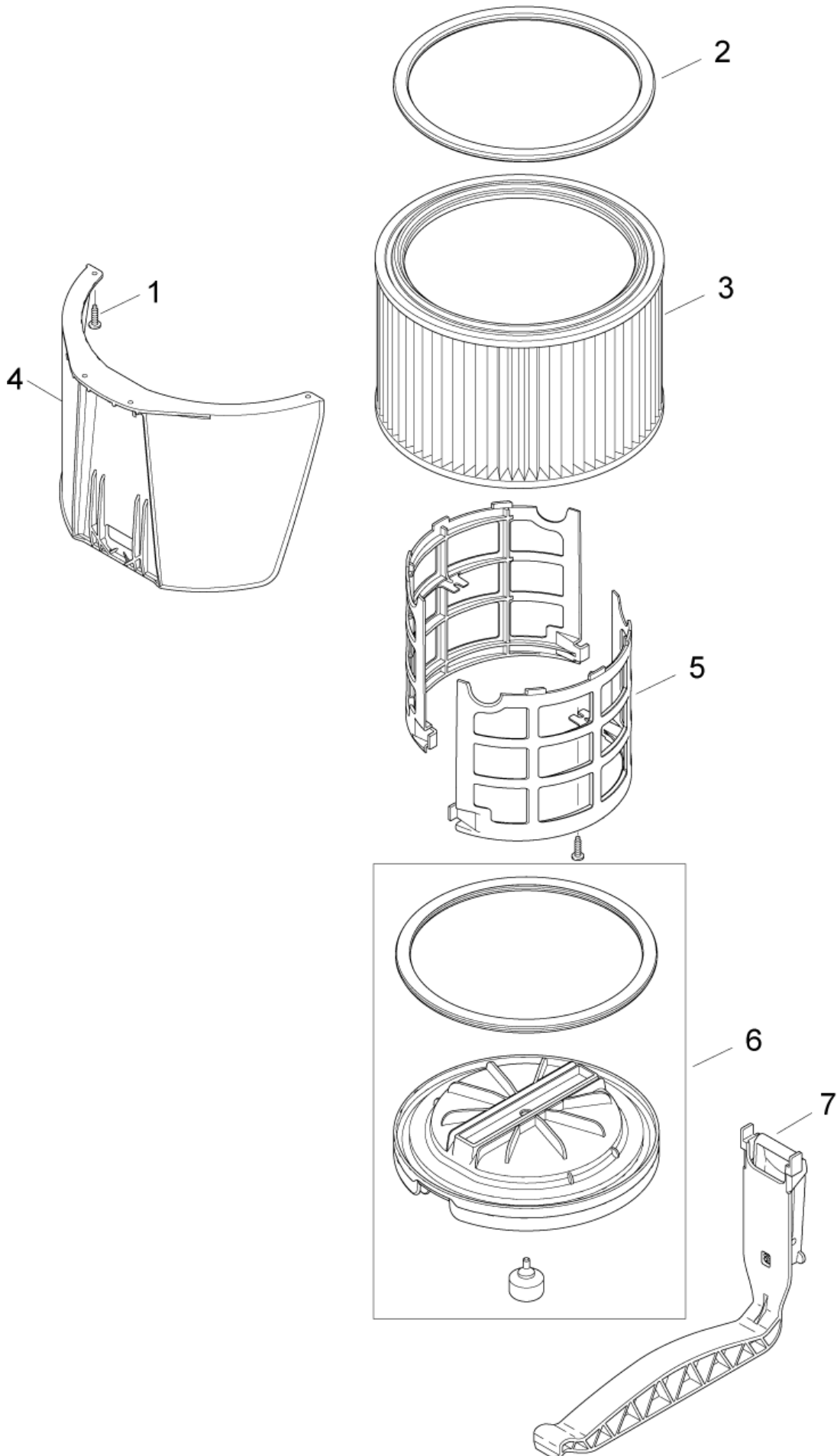
ATTIX 965-21 SD XC

21-06-2011

StyMiste ID

ATTIX908

7



Filter system

ATTIX 965-21 SD XC

21-06-2011

StyMiste ID

ATTIX908

8

Pos	Vare nr.	Ant	Beskrivelse	EAN
1	302003319	1	SKRUE-SÆT BASIC	4005337140
1	302003376	1	SKRUE-SÆT SD XC	4005337136
2	302000697	1	GASKET FILTER	4005337690
3	302000751	1	FILTERELEMENT L+M SET	4005337020
4	107402640	1	DEFLECTOR 318X180X212 KIT	7319519682
5	302000385	1	FILTERHUS	4005337020
6	107402653	1	BUNDPLADE F/FILTER	7319519682
7	107402651	1	TENSION JACK	7319519682

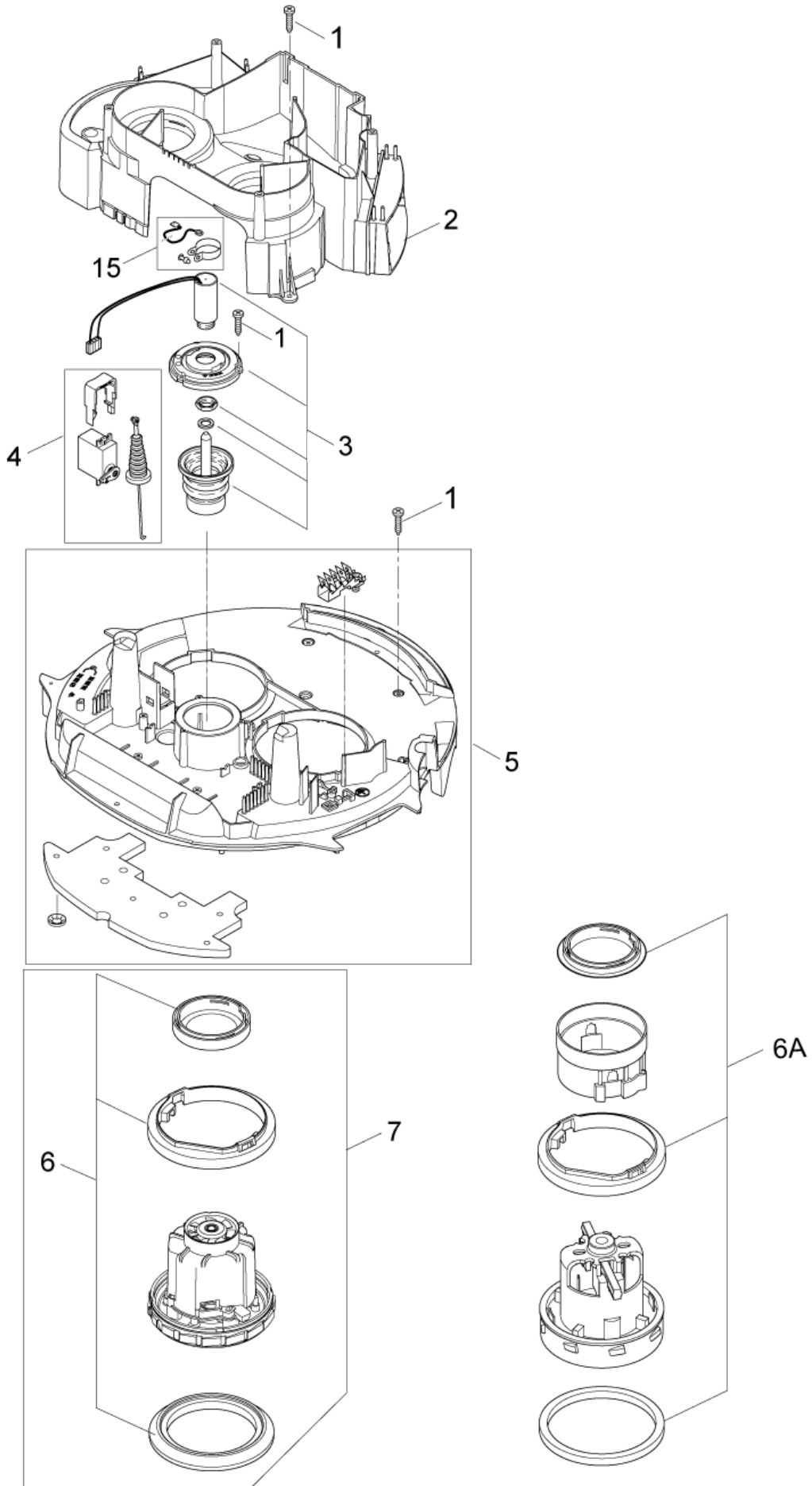
Motor and motor top SD XC

ATTIX 965-21 SD XC

21-06-2011

StyMiste ID
ATTIX905

9



Motor and motor top SD XC

ATTIX 965-21 SD XC

21-06-2011

StyMiste ID

ATTIX905

10

Pos	Vare nr.	Ant	Beskrivelse	EAN
1	302003319	1	SKRUE-SÆT	4005337140
2	302002582	1	LUFT FORDELER	4005337128
3	107400291	1	MAGNET 230V	4005337153
4	302003421	1	SERVO MOTOR	4005337139
5	302003423	1	SPÆNDEPLADE	4005337139
6	302003385	1	PAKNINGS-SÆT	4005337136
7	302003384	1	Turbine kit, 1200W 230V	4005337136
7	302003386	1	TURBINE KIT 1000 230	4005337136
7	302003388	1	TURBINE KIT 1000 120	4005337136
6A	302003390	1	SEALING KIT S	4005337136

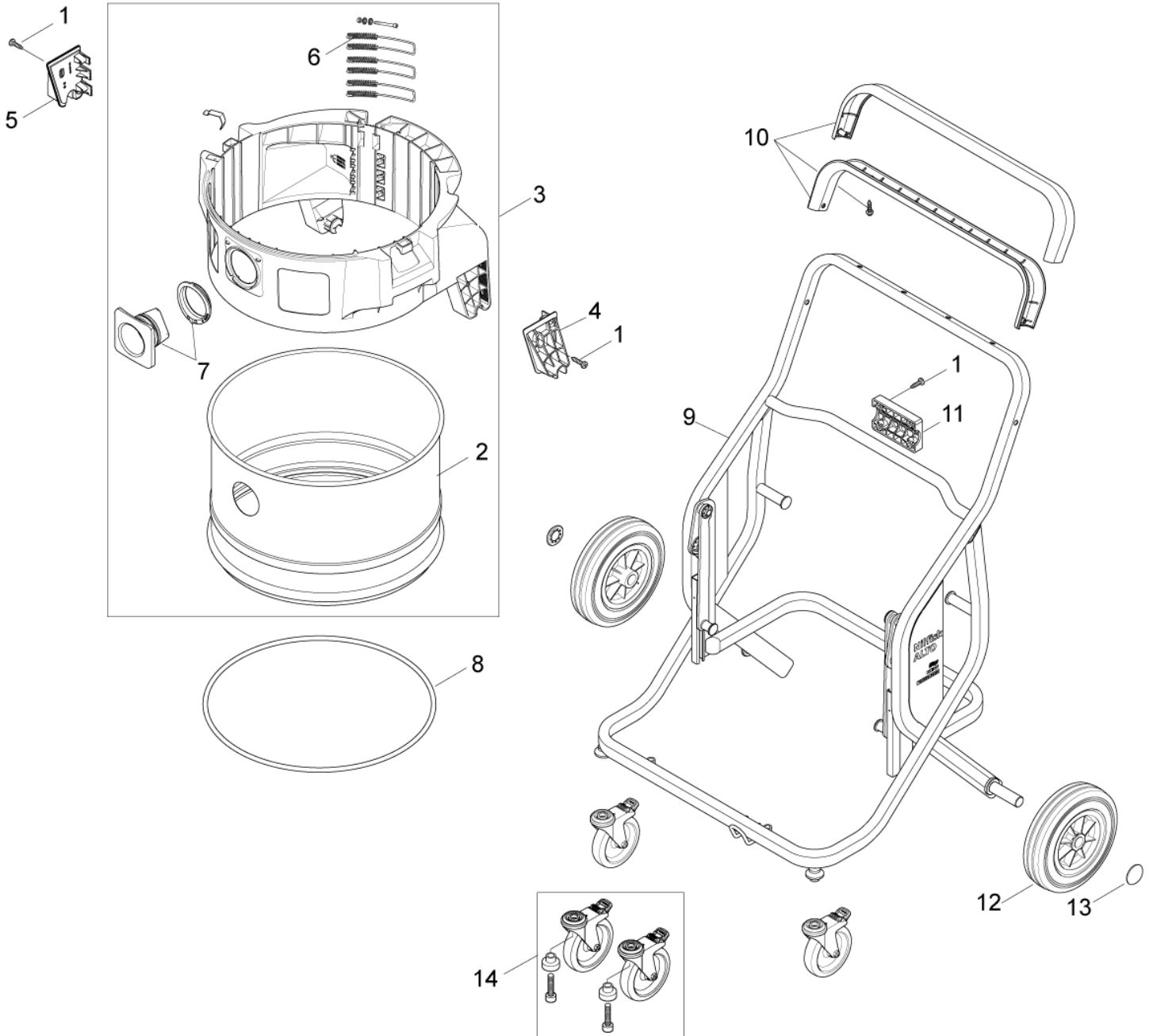
Container top and chassis SD XC

ATTIX 965-21 SD XC

21-06-2011

StyMiste ID
ATTIX910

11



Container top and chassis SD XC

ATTIX 965-21 SD XC

21-06-2011

StyMiste ID
ATTIX910

12

Pos	Vare nr.	Ant	Beskrivelse	EAN
1	302003319	1	SKRUE-SÆT	4005337140
2	302002580	1	CONTAINER RING	4005337128
3	302003419	1	RING FOR BEHOLDER	4005337140
4	302002895	1	MONTERINGSPLADE	4005337129
5	302002896	1	FITTING PLATE LH	4005337129
7	302003380	1	SLANGEINDGANG	4005337136
			See STI VAC-094	
8	302002608	1	PAKNING, 8x394	4005337129
9	302003087	1	PREASSEMBLED SD CHASSI	4005337130
10	302003418	1	REP.SÆT FOR HÅNDTAG	4005337140
11	302002769	1	SD CHASSIS MOUNT	4005337158
12	107401077	2	HJUL 200X50	7319519676
13	3750	2	LÅS Ø20	4005337037
14	107401054	2	HJULSÆT F/ATTIX 7	7319519676
15	909100383	1	SPRING 1.40X7.5X113	4005337077

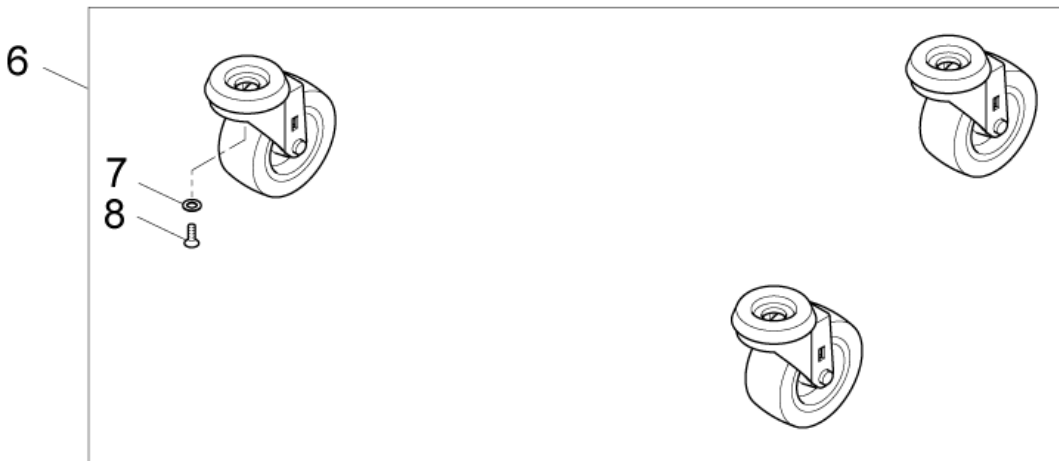
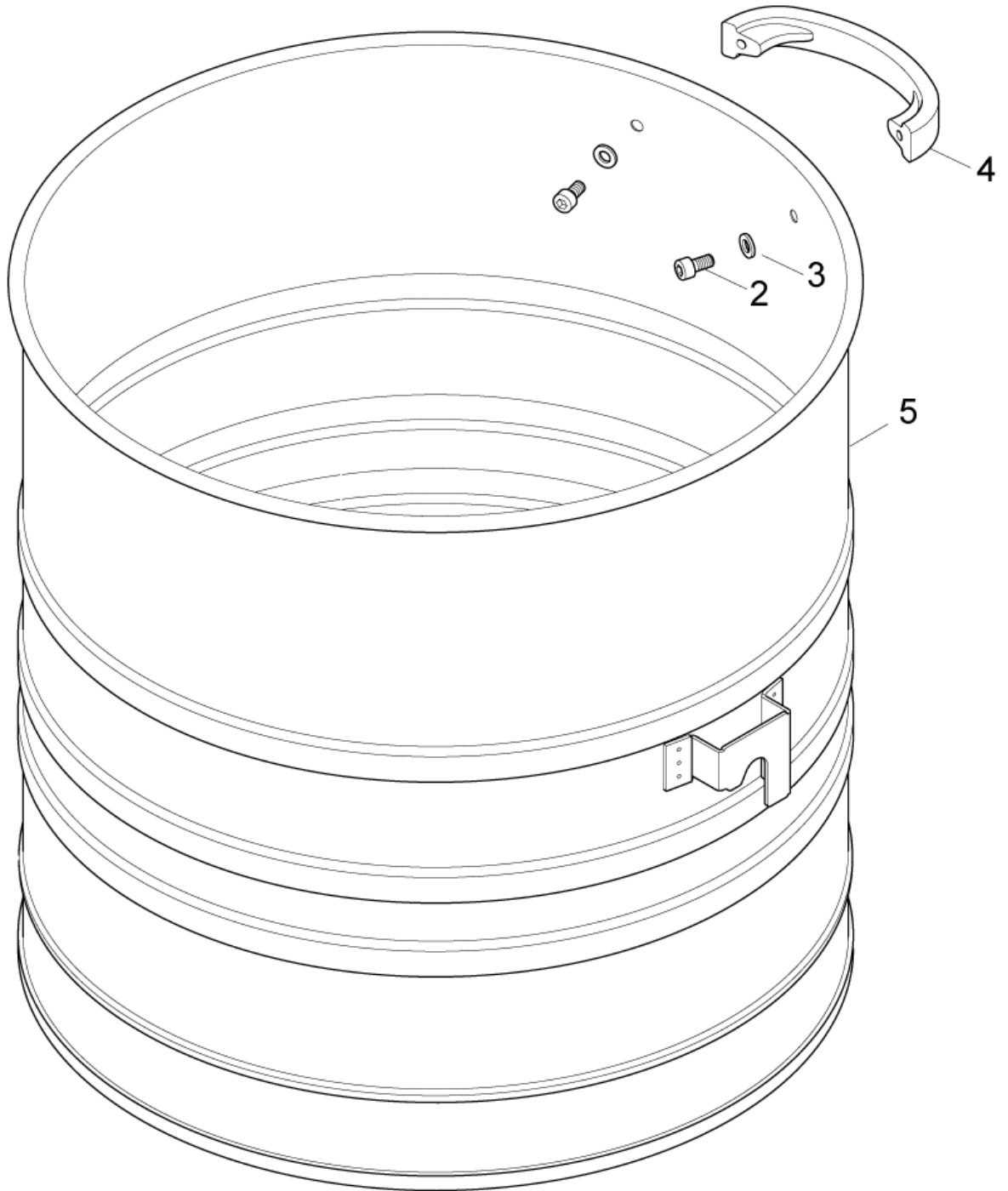
Container SD XC

ATTIX 965-21 SD XC

21-06-2011

StyMiste ID ATTIX911

13



Container SD XC

ATTIX 965-21 SD XC

21-06-2011

StyMiste ID
ATTIX911

14

Pos	Vare nr.	Ant	Beskrivelse	EAN
-	302003319	1	SKRUE-SÆT	4005337140
2	14664	2	SKRUE	4005337146
3	14805	2	SKIVE	4005337148
4	14663	1	GREB TURBO-D	4005337146
5	302003127	1	BEHOLDER, ATTIX 9 SD	4005337131
6	107401920	1	CASTER D50X20 H64 D10.2 K IT	7319519678
7	6100718	3	SKIVE F. STAGBOLT	5701715063
8	24310	3	SKRUE M8X16	4005337243

Tilbehør

ATTIX 965-21 SD XC

21-06-2011

StyMiste ID
ATTIX912

15

Ingen tegning

Tilbehør

ATTIX 965-21 SD XC

21-06-2011

StyMiste ID

ATTIX912

16

Pos	Vare nr.	Ant	Beskrivelse	EAN
0	302001480	1	OPSAMLINGSPOSE ATTIX 7	4005337061
1	302001612	1	OPSAMLINGSKURV F. ATTIX 7	4005337068
2	302002624	1	TILBEHØRSKURV ATTIX 9	4005337128
3	302002621	1	UDBLÆSNINGSADAPTOR A.9	4005337128
4	107400041	1	FILTER Type 22	4005337147
5	302002622	1	LØFTEBESLAG	4005337128
6	302003127	1	BEHOLDER, ATTIX 9 SD	4005337131
7	302002796	1	SUGESLANGE 38X4000	4005337129
8	107402474	1	FORLÆNGERRØR Ø38 2X500	7319519681
9	302002889	1	RØRBØJNING RF Ø38	4005337129
10	302002890	1	Crevice nozzle	4005337129
11	302002884	1	ADAPTOR EL-VÆRKTØJ Ø38/50	4005337129
12	302002798	1	MUNDSTYKKE 38X400MM	4005337129
13	302000751	1	FILTERELEMENT L+M SET	4005337020
15	302002892	1	FLEECE FILTER BAG PU 5 PC S	4005337129
7a	107400049	1	MULTIFIT ADAPTER-SÆT for 3020002796	4005337147

ANBEFALEDE RESERVEDELE

ATTIX 965-21 SD XC

21-06-2011

StyMiste ID ATTIX914

17

Ingen tegning

ANBEFALEDE RESERVEDELE

ATTIX 965-21 SD XC

21-06-2011

StyMiste ID
ATTIX914

18

Pos	Vare nr.	Ant	Beskrivelse	EAN
1	107400291	1	MAGNET 230V	4005337153
1	107401054	1	HJULSÆT F/ATTIX 7	7319519676
1	107401077	1	HJUL 200X50	7319519676
1	107401081	1	ELEKTRONIK AUTO-0-I KIT	7319519675
1	107402651	1	TENSION JACK	7319519682
1	107402653	1	BUNDPLADE F/FILTER	7319519682
1	107402666	1	POWERCORD 1.5X10.8M CEE7 EU	7319519683
1	14663	1	GREB TURBO-D	4005337146
1	24310	1	SKRUE M8X16	4005337243
1	302000385	1	FILTERHUS	4005337020
1	302000514	1	PAKNING	4005337023
1	302000697	1	GASKET FILTER	4005337690
1	302000751	1	FILTERELEMENT L+M SET	4005337020
1	302001432	1	PAKNING CONTAINER	4005337067
1	302002582	1	LUFT FORDELER	4005337128
1	302002590	1	HÅNDTAG	4005337128
1	302002608	1	PAKNING, 8x394	4005337129
1	302002678	1	FJEDER INCL. WIRE	4005337128
1	302002769	1	SD CHASSIS MOUNT	4005337158
1	302002788	1	LTG NETZ H07RN-F3G1.5X10.6M	4005337129
1	302002789	1	CABLE 10.6 METER CH	4005337158
1	302002790	1	LTG NETZ H07BQ-F3G2.5X10.8M CE	4005337129
1	302002791	1	WIRE NETZ H07RN-F3G1.0X10.8M SRAF1962 D	4005337158
1	302002895	1	MONTERINGSPLADE	4005337129
1	302002896	1	FITTING PLATE LH	4005337129
1	302003319	1	SKRUE-SÆT	4005337140
1	302003380	1	SLANGEINDGANG	4005337136
1	302003383	1	LUKKECLAMP	4005337136
1	302003384	1	Turbine kit, 1200W 230V	4005337136
1	302003385	1	PAKNINGS-SÆT	4005337136
1	302003386	1	TURBINE KIT 1000 230	4005337136
1	302003388	1	TURBINE KIT 1000 120	4005337136
1	302003390	1	SEALING KIT S	4005337136
1	302003419	1	RING FOR BEHOLDER	4005337140
1	302003421	1	SERVO MOTOR	4005337139
1	302003422	1	FILTER RENG. SYSTEM XC	4005337139
1	302003423	1	SPÆNDEPLADE	4005337139
1	302003425	1	HOOD KIT ATTIX 9 XC	4005337139
1	302003598	1	MONTERINGSPLADE	4005337158
1	302004034	1	STIKDÅSE 16A/250V EU	4005337147
1	3750	1	LÅS Ø20	4005337037