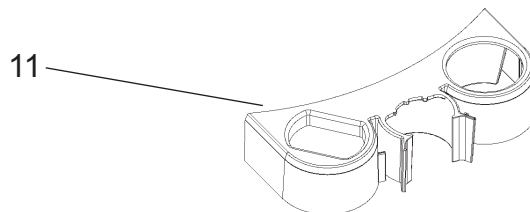
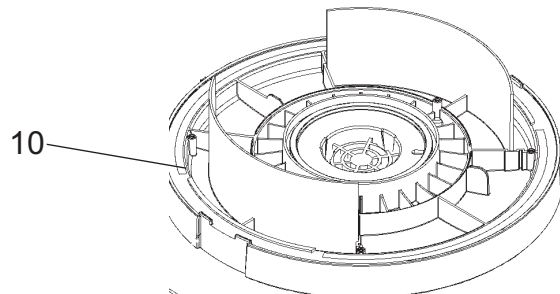
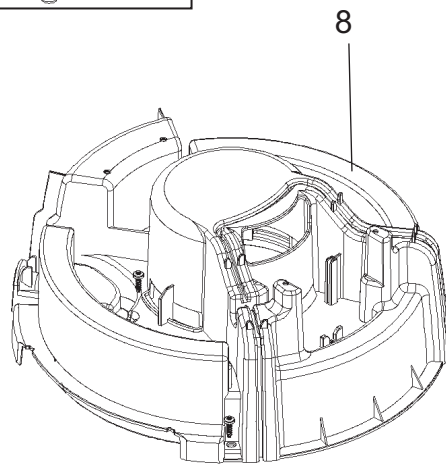
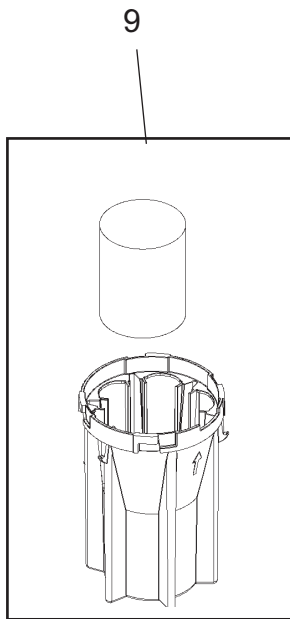
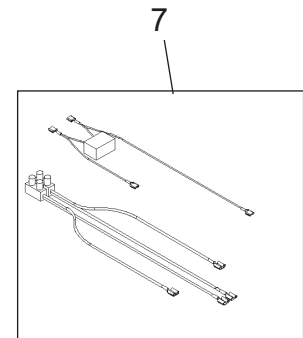
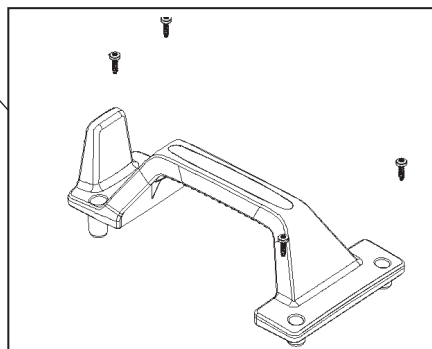
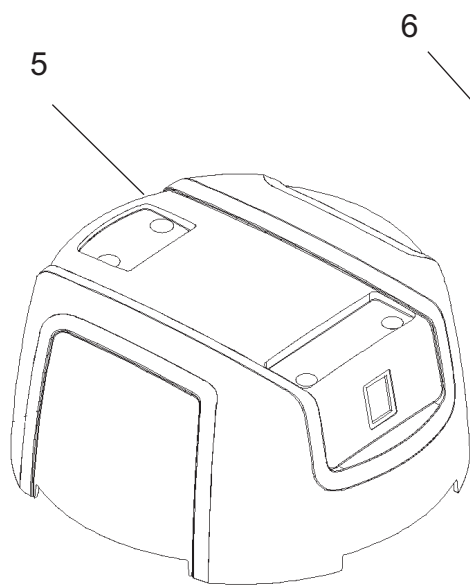
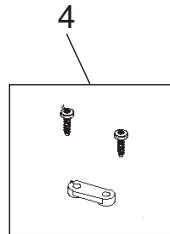
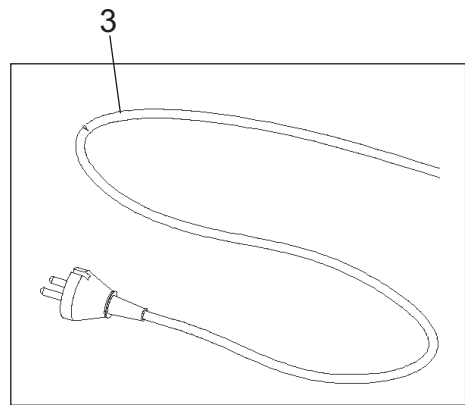
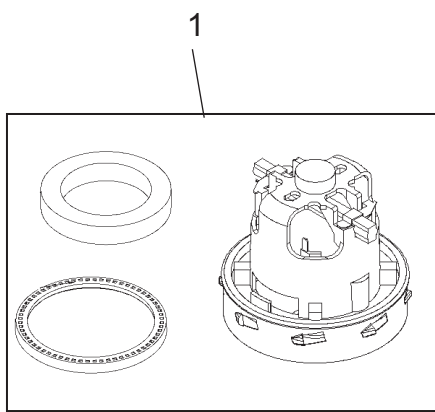


MAXXI WD 3, MAXXI WD 7 AND MAXXI WD 7 DUO



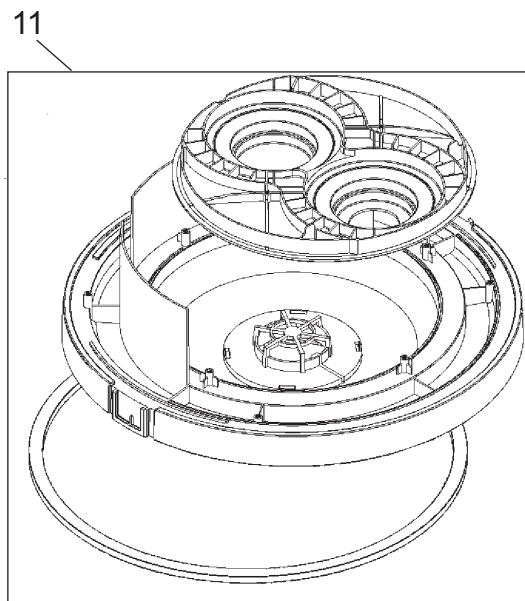
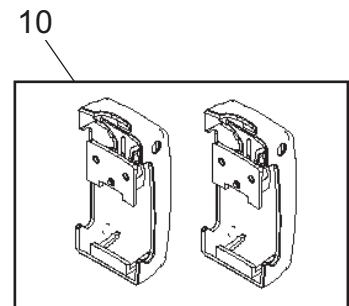
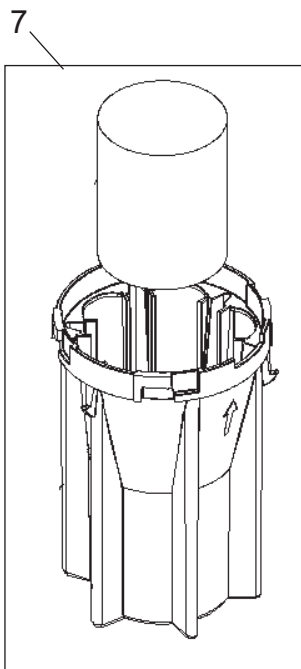
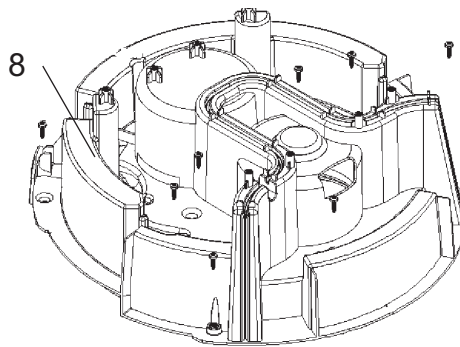
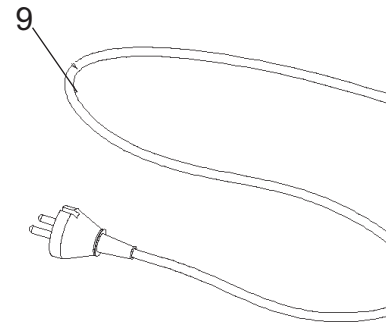
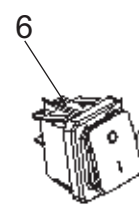
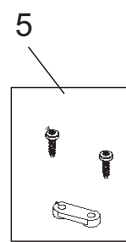
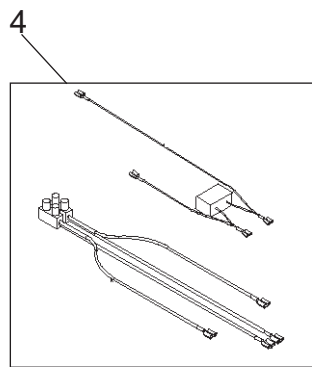
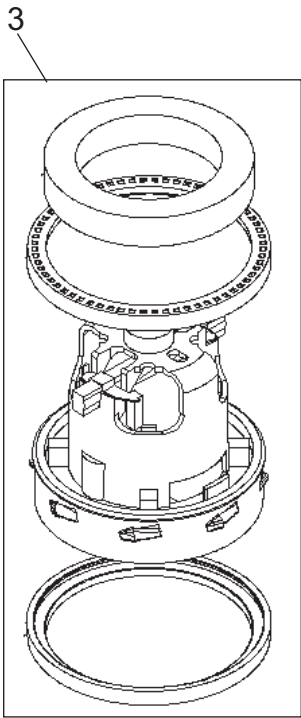
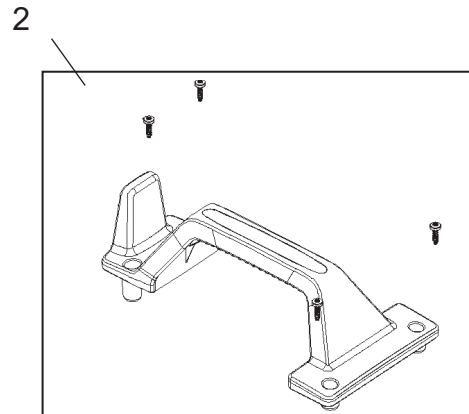
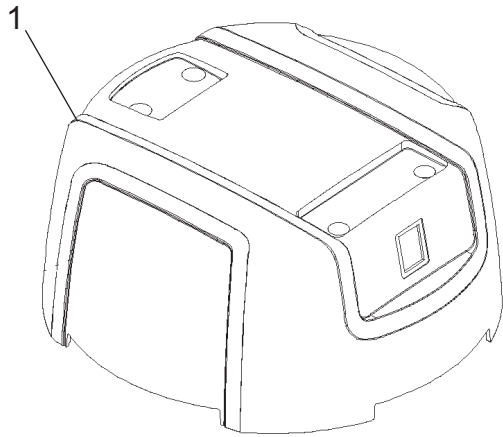
DESCRIPTION	PLAN
Motor top, Maxxi WD 3	2
Motor top, Maxxi WD 7	4
Motor top Maxxi WD 7	6
Container, Maxxi WD 3	8
Container, Maxxi WD 7, Maxxi WD 7 Duo	10
Trolley, Maxxi WD 3, Maxxi WD 7, Maxxi WD 7 Duo	12
Nozzles, tubes and hoses	14
Filter and dustbags	16



<u>Item.No.</u>	<u>Part No</u>	<u>Qty.</u>	<u>Description</u>	<u>Note</u>	<u>EAN code</u>
1	140 8689 500	1	Fan unit By-pass 220-240V	Gaskets incl.	7319519639919
1	140 8689 510	1	Fan unit By-pass 100-120V	Gaskets incl.	7319519639926
2	140 9537 500	1	Switch two pole		7319519639896
3	12222501	1	Cord set EU 10M		5715492008056
3	12222503	1	Cord set UK 10 M		5715492008063
3	12222506	1	Cord set AU/NZ		5715492008070
3	12003805	1	Cord set JP/US		5715492003099
4	140 6560 500	1	Anti strain clip	Screws incl.	7319519640632
5	140 8668 500	1	Cover outer, black	Screws incl.	7319519646801
6	140 8651 510	1	Handle, black	Screws incl.	7319519646856
7	140 7042 500	1	Internal wire		7319519640694
8	140 8653 500	1	Cover fan unit		7319519640663
9	140 8680 500	1	Float basket		7319519640700
10	140 8664 510	1	Chassis		7319519640656
11	140 8698 510	1	Accessorie holder		7319519646917

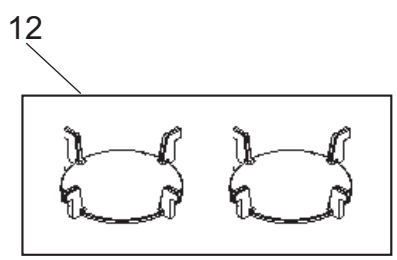
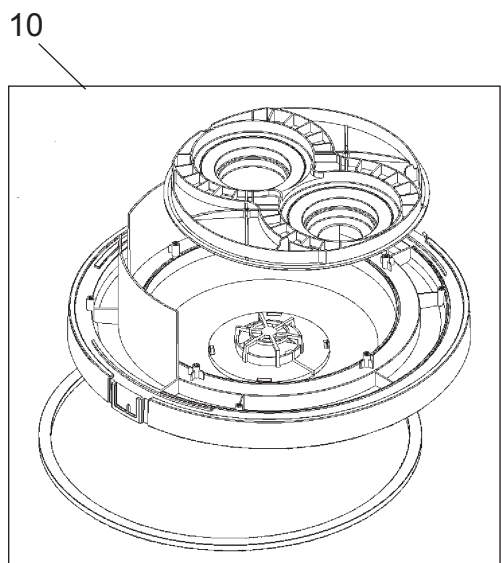
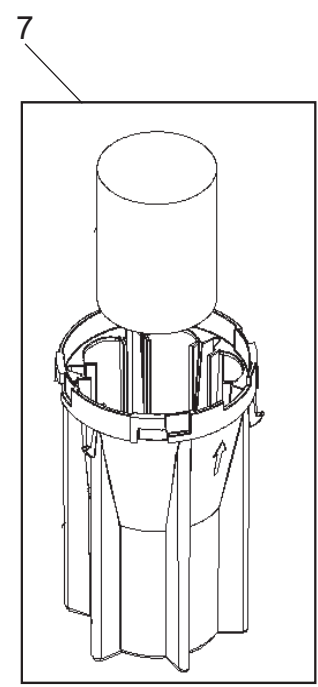
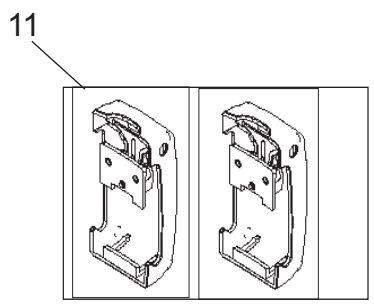
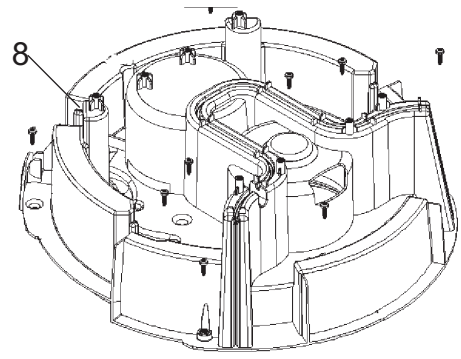
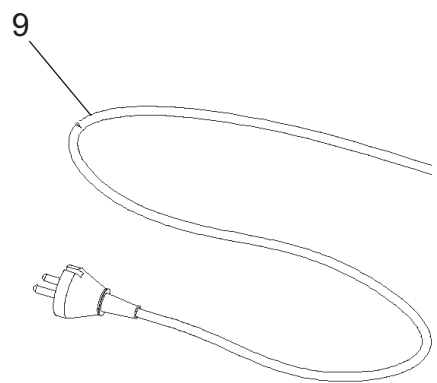
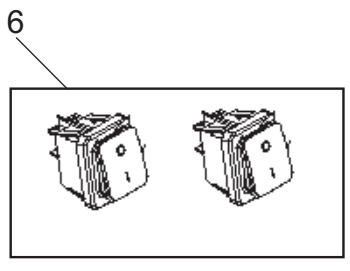
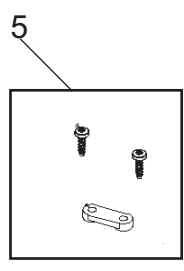
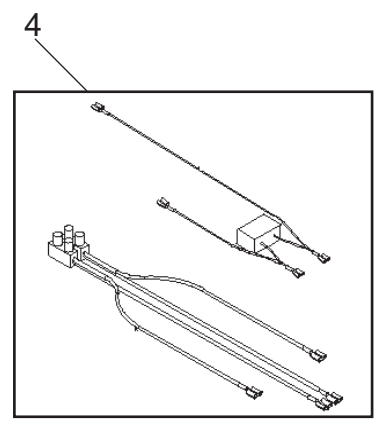
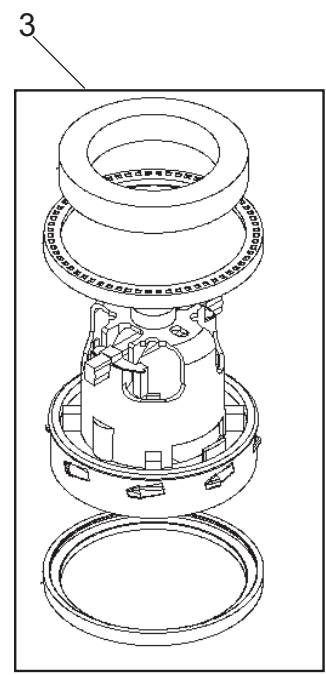
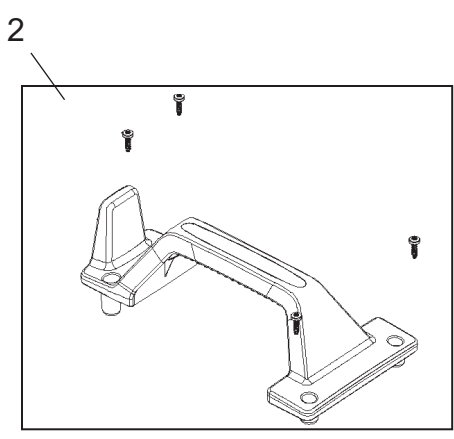
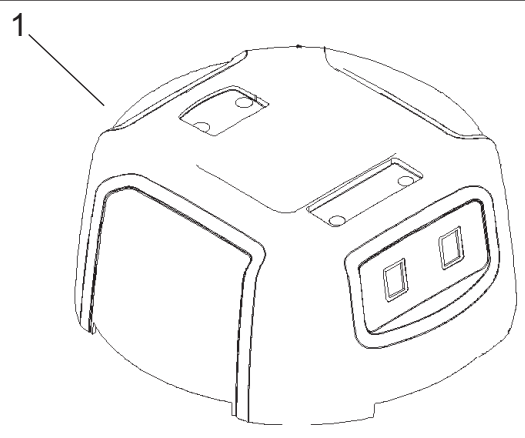
4

MAXXI WD 7



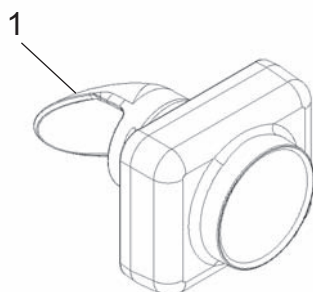
Item.No.	Part No	Qty.	Description	Note	EAN code
1	140 9532 500	1	Cover outer, black	Screws incl.	7319519646948
2	140 8651 510	1	Handle, black	Screws incl.	7319519646856
3	140 8689 500	1	Fan unit 220-240V BP	Gaskets incl.	7319519639919
3	140 8689 510	1	Fan unit 100-127V BP	Gaskets incl.	7319519639926
4	140 7042 500	1	Internal wire		7319519640694
5	140 6560 500	1	Anti strain clip	Screws incl.	7319519640632
6	140 9537 500	1	Switch two pole		7319519639896
7	140 8680 500	1	Float basket		7319519640700
8	140 9534 500	1	Cover fan unit		7319519640847
9	12222501	1	Cord set EU 10M		5715492008056
9	12222503	1	Cord set UK 10 M		5715492008063
9	12222506	1	Cord set AU/NZ		5715492008070
9	12003805	1	Cord set JP/US		5715492003099
10	140 8691 620	1	Latch 2-p	Top mounted latches	7319519646993
11	140 9508 500	1	Chassis	Sealing incl.	7319519640854

6 MAXXI WD 7 DUO

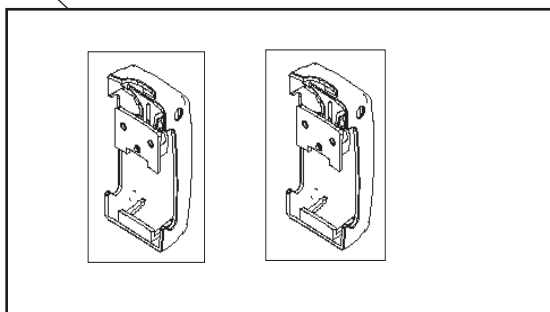


<u>Item.No.</u>	<u>Part No</u>	<u>Qty.</u>	<u>Description</u>	<u>Note</u>	<u>EAN code</u>
1	140 9530 500	1	Cover outer, Duo version	Outlets for 2 switches	7319519646924
2	140 8651 510	1	Handle	Screws incl.	7319519646856
3	140 8689 500	1	Fan unit 220-240V BP	Gaskets incl.	7319519639919
3	140 8689 510	1	Fan unit 100-127V BP	Gaskets incl.	7319519639926
4	140 7620 530	1	Suppressor EU/UK/AU/NZ		7319519640892
5	140 6560 500	1	Anti strain clip	Screws incl.	7319519640632
6	140 9537 500	1	Switch two pole		7319519639896
7	140 8680 500	1	Float basket		7319519640700
8	140 9523 500	1	Cover fan unit	2-motor version	
9	12222501	1	Cord set EU 10M		5715492008056
9	12222503	1	Cord set UK 10 M		5715492008063
9	12222506	1	Cord set AU/NZ		5715492008070
9	12003805	1	Cord set JP/US		5715492003099
10	140 9508 510	1	Chassis	2 motor version	7319519640861
11	140 8691 620	1	Latch 2-p		7319519646993
12	140 9526 500	1	Valve disc		7319519640878

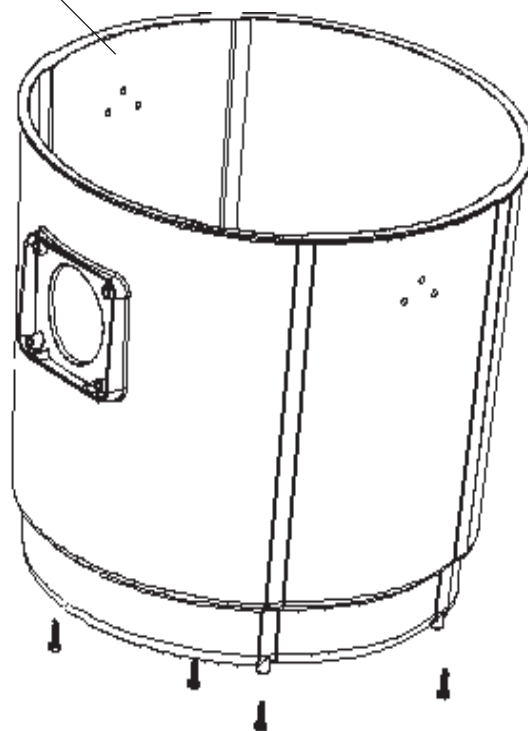
MAXXI WD 3



2



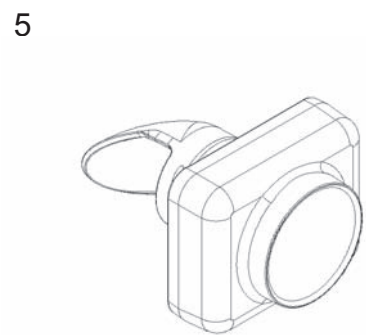
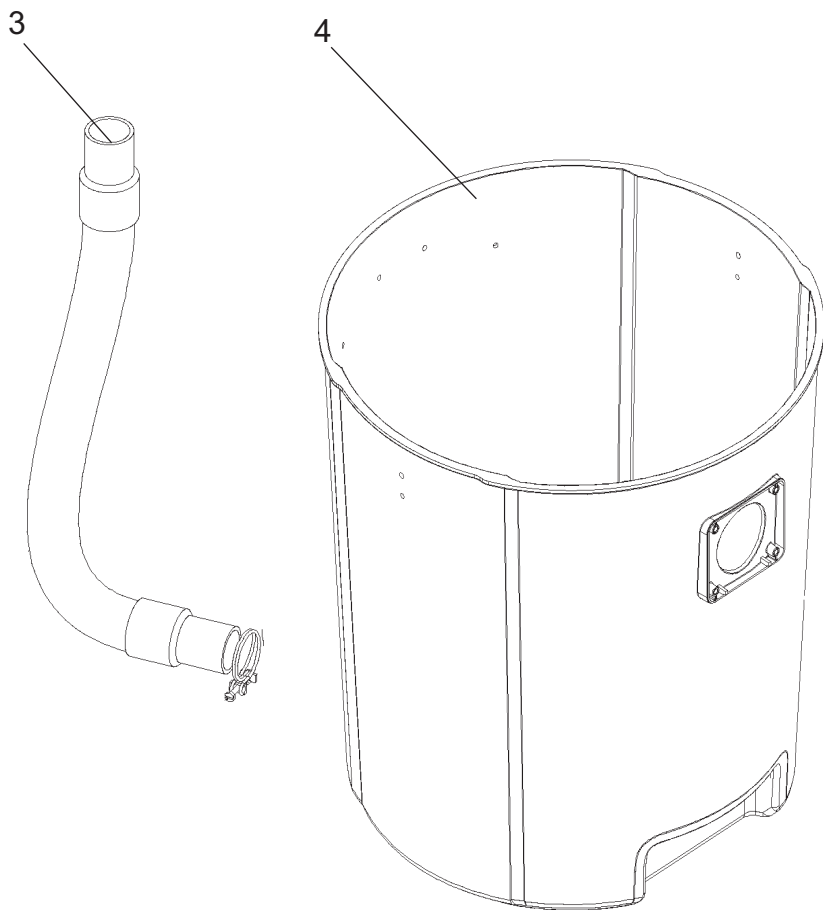
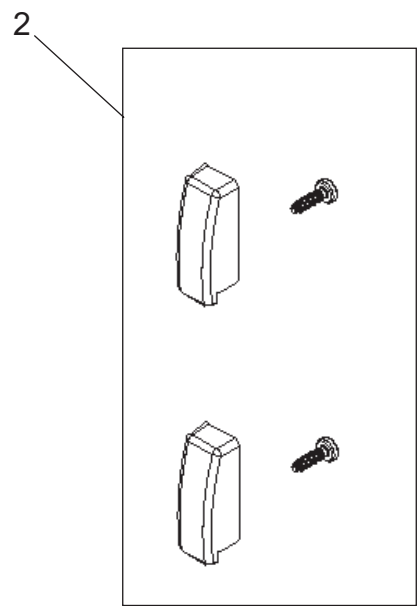
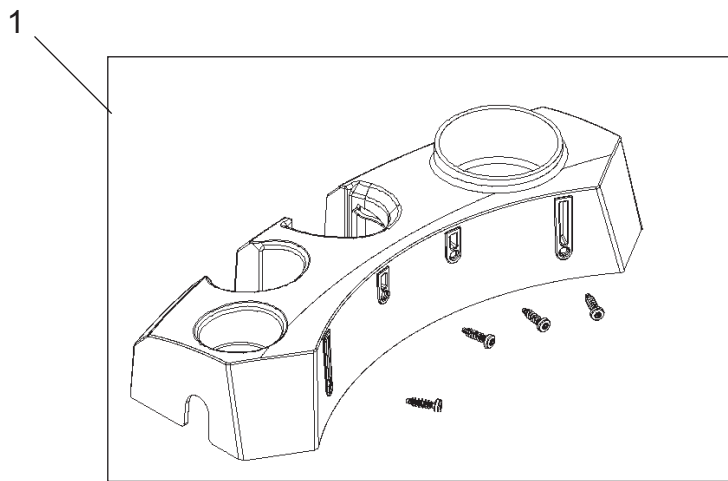
3



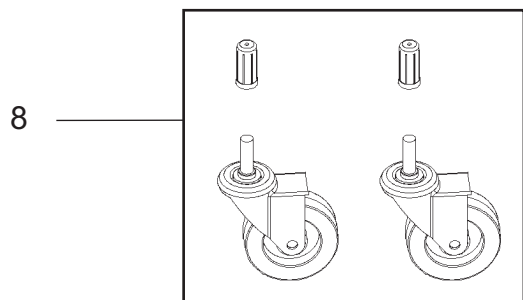
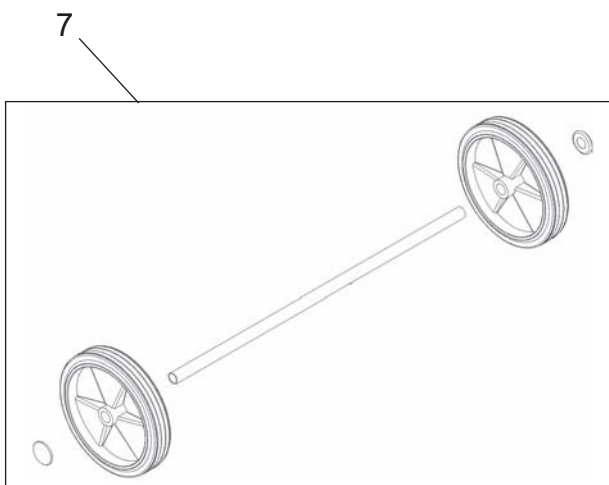
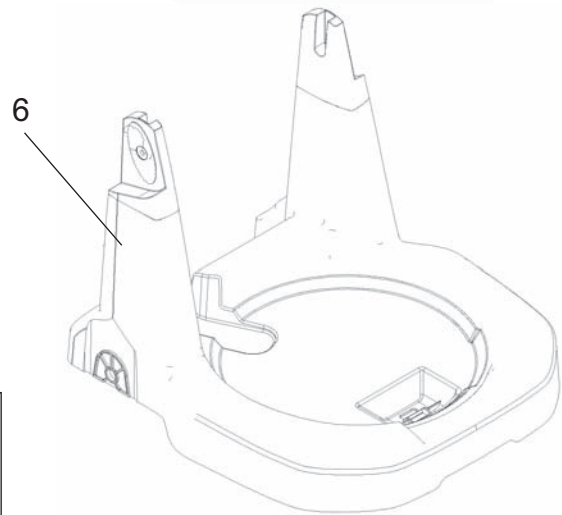
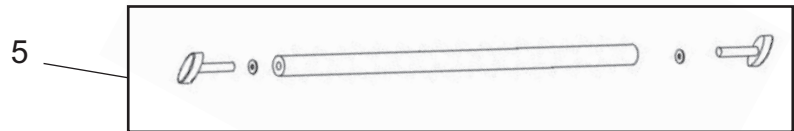
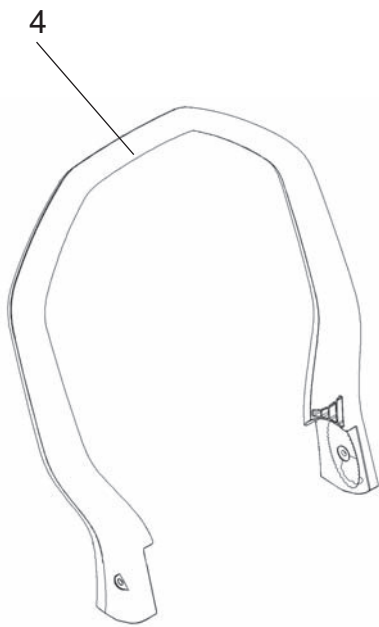
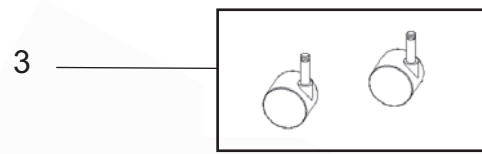
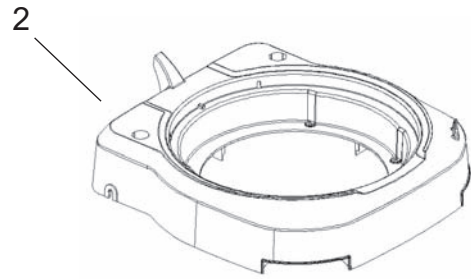
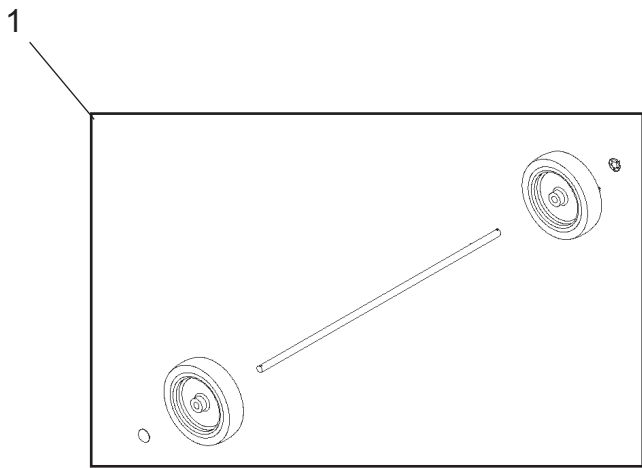
Item.No.	Part No	Qty.	Description	Note	EAN code
1	147 0715 500	1	Inlet, black		7319519647266
2	140 8691 520	1	Latches 2-p.		7319519648560
3	140 8672 530	1	Container 35 L, blue	Screws incl.	7319519647013

10

MAXXI WD 7 AND MAXXI WD 7 DUO



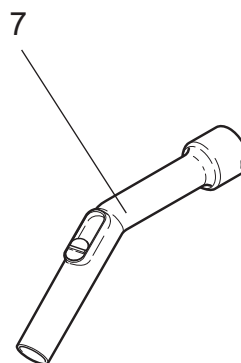
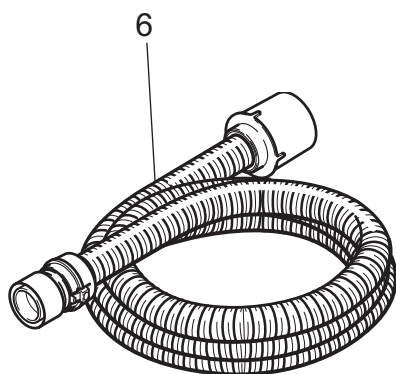
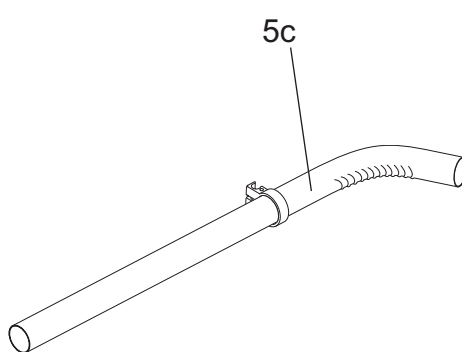
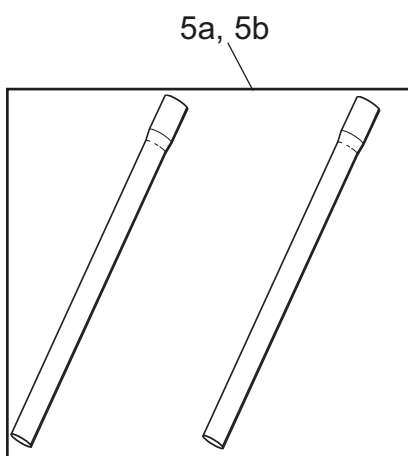
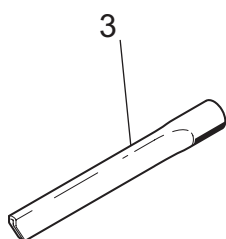
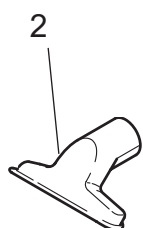
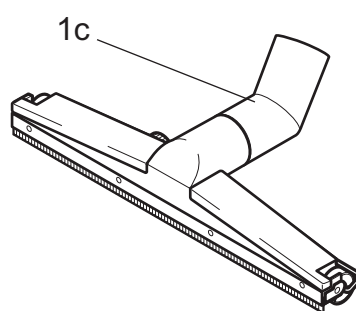
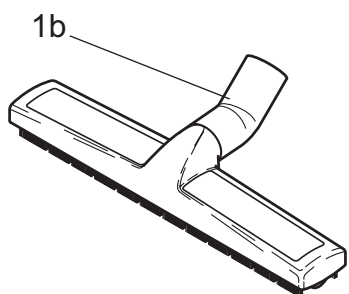
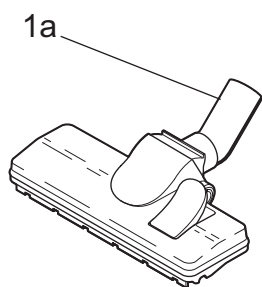
Item.No.	Part No	Qty.	Description	Note	EAN code
1	140 9517 510	1	Bracket, container	Screws incl.	7319519647099
2	140 8685 500	1	Hook container	Screws incl.	7319519640984
3	140 7604 500	1	Hose 32x530	Clamp incl.	7319519640946
4	140 9514 520	1	Container 75L, blue	Drain outlet	7319519647075
5	147 0715 500	1	Inlet, black		7319519647266



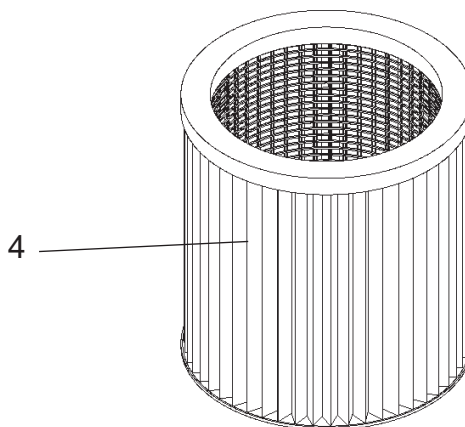
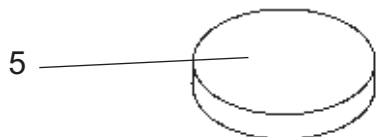
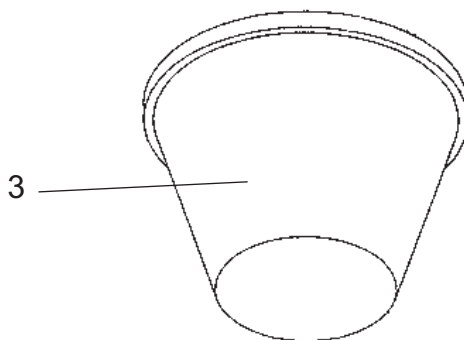
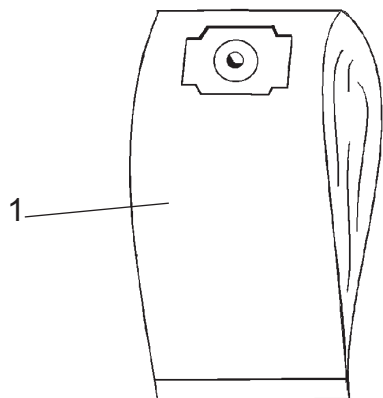
Item.No.	Part No	Qty.	Description	Note	EAN code
MAXXI WD 3					
1	>> 140 8446 600	1	Wheel rear 2-p.	Shaft incl.	7319519639902
2	140 8662 520	1	Frame for trolley, blue		7319519647037
3	140 6422 500	1	Wheel, link 50 mm	2 pcs.	7319519631760
MAXXI WD 7, MAXXI WD 7 DUO					
4	140 9519 510	1	Handle, trolley, black		7319519647112
5	140 9544 500	1	Shaft, trolley Ø18mm	Screws incl.	7319519641325
6	140 9518 510	1	Frame, trolley, black		7319519647105
7	140 8156 500	1	Wheel, trolley Ø200mm	Shaft incl.	7319519641042
8	140 5476 500	1	Wheel, link trolley	Sleeves incl.	7319519641059

>> Means new or/and changed specifications

MAXXI WD 3, MAXXI WD 7 AND MAXXI WD 7 DUO



Item.No.	Part No	Qty.	Description	Note
1a	302000477	1	Floor nozzle, dry Ø 32 mm	for WD 3
1b	302000521	1	Floor nozzle, dry Ø 36 mm	for WD 7, WD 7-4 Duo
1c	15343	1	Floor nozzle, dry Ø 50 mm	for WD 7-5 Duo
2	14295	1	Universal nozzle, Ø 32 mm	for WD 3, WD 7
3	6084	1	Crevice nozzle, Ø 32-36 mm	for WD 3, WD 7, WD 7-4
3	7102	1	Crevice nozzle, Ø 50 mm	for WD 7-5 Duo
4	5146	1	Brush nozzle, Ø 32 mm	for WD 3
5a	302000478	1	Tube aluminium, Ø 32 mm	for WD 3, WD 7
5b	302000529	1	Tube chrome, Ø 36 mm	for WD 7-4-Duo
5c	15335	1	Tube aluminium, Ø 50 mm	for WD 7-5 Duo. With hand tube
6	60897	1	Suction hose, Ø 32 mm, 1.8m	for WD 3
6	302000473	1	Suction hose, Ø 32 mm, 3 m	for WD 7
6	46948	1	Suction hose, Ø 36 mm, 3 m	for WD 7-4 Duo
6	15358	1	Suction hose, with hand tube Ø 50 mm, 4 m, for WD 7-5 Duo	
7	60911	1	Hand tube, plastic, Ø 32 mm	for WD 3
7	302000528	1	Hand tube, chrome, Ø 36 mm	for WD 7-4



Item.No.	Part No	Qty.	Description	Note	EAN code
1	147 0745 010	1	Dust bags, paper	3 pcs. for WD 3	5715492032143
1	147 0746 010	1	Dust bags, paper	3 pcs. for WD 7	5715492032167
3	140 8658 500	1	Filter sack	For WD 3	7319519639933
3	140 9512 500	1	Filter sack	For WD 7	7319519641387
4	140 8686 500	1	Filter Cartridge	For all models	7319519641189
5	140 8682 500	1	Filter for motor	For all models	7319519639872