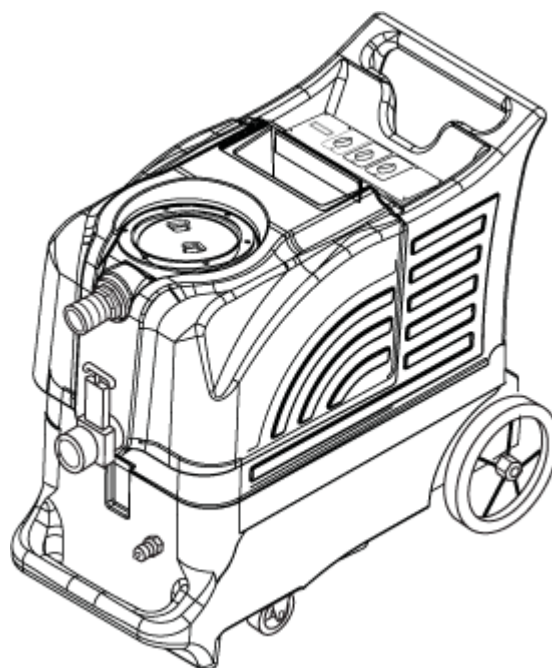


TW 1500 H

Model:
TW 1500 H



Part List US-English

01-10-2013

Table of Contents

TW 1500 H

All	3
Accessories	5
CARPET SCRUB WAND 13 HEAD	7
Carpet Scrub Wand	9
Hand Tool	11

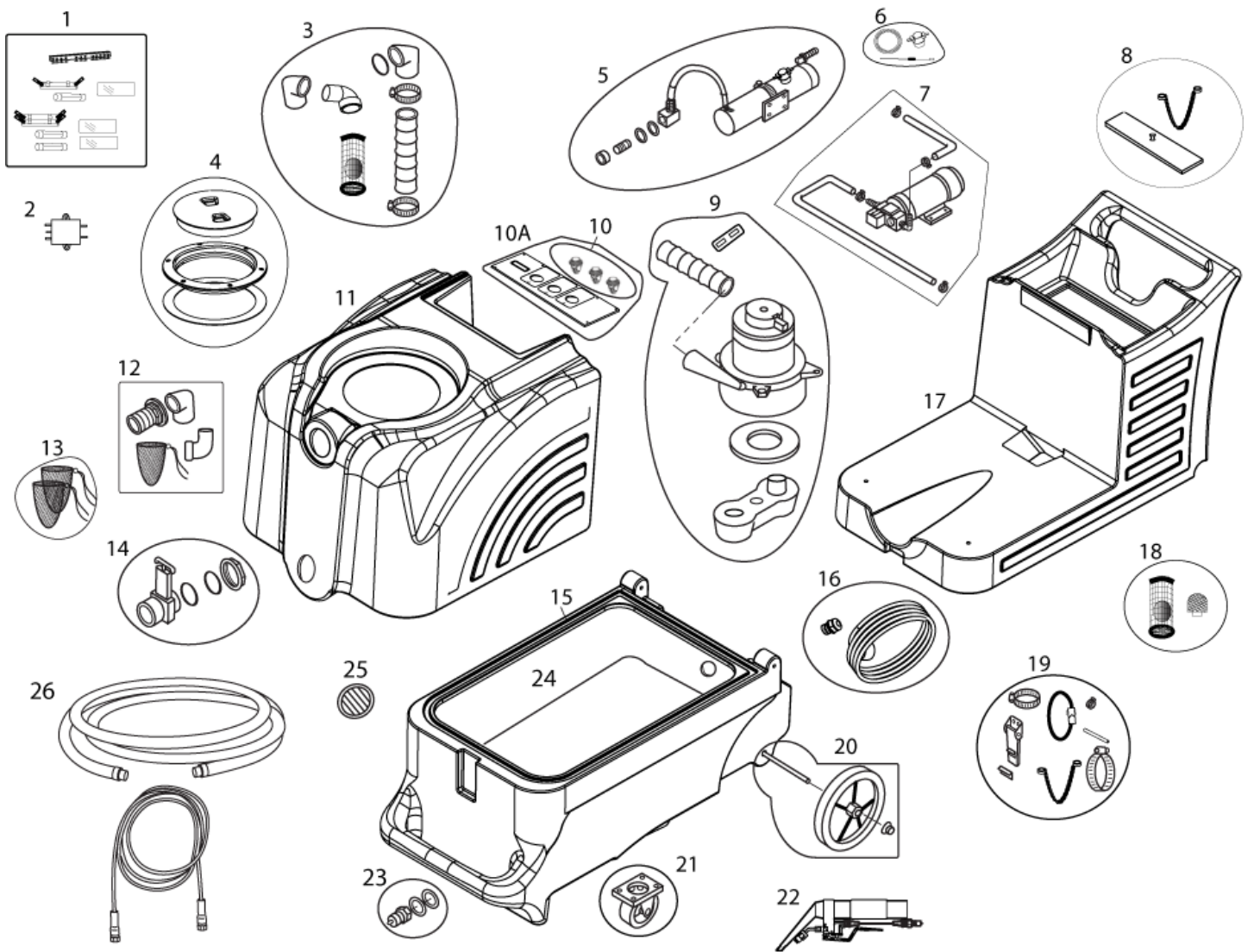
All

TW 1500 H

01-10-2013

Part List ID
TW150002

3



All TW 1500 H

01-10-2013

Part List ID
I W150002

4

Pos	Part no.	Qty	Description
0	600715010	1	LABEL KIT TW1500
0	600715011	1	HOSE KIT ALL INTERNAL HOSES
1	600732819	1	FUSE KIT MX328H
2	600715007	1	FILTER RFI ELECTRICAL NOISE
3	600715013	1	BALL FLOAT AND VACUUM INLET HO
4	600758550	1	VACUUM LID KIT
5	600715009	1	HEAT EXCHANGER COMPLETE TW150
6	600752120	1	REPAIRKITHEATBI-METALLIC IN
7	600715004	1	PMP SOLUTION100 PSI COMPLET
8	600758563	1	LID ASSEMBLY SOLUTION TANK
9	600758557	1	VACUUM MOTOR KIT
10	600732806	1	SWITCH KIT MX328H
11	600758584	1	TANK RECOVERY DRILLED COMPLET
12	600732804	1	HOSE BARB VACUUM INLET FOR 1
13	600758568	1	PRE-FILTER BAG KIT OF TWO
14	600758586	1	DRAIN GATE KIT
16	600758515	1	POWER CORD KIT KC-1200
16	600758536	1	KIT POWER CORD KC-1200-UK
17	600715006	1	TANK SOLUTION PREPPED
18	600715005	1	FILTER KIT PUMP AND VACUUM IN
19	600715014	1	FASTENERS TW-1500
20	600758571	1	WHEEL AND AXEL KIT
21	600758573	1	CASTOR KIT
22	600700003	1	HAND TOOL S/S FOR DETAILING
23	600732833	1	OUTLET QUICK DISCONNECT AND WA
24	600715008	1	BASE COMPARTMENT DRILLED 1200
25	600732828	1	LOUVER AND HARDWARE MX328H
26	600758587	1	VAC HOSE-PRESS LN 25 FT MPE-12
10A	600715012	1	SWITCH PLATE ASSEMBLY COMPLET

Accessories

TW 1500 H

01-10-2013

Part List ID
TW1500H4

5



1



2



3



4

Accessories

TW 1500 H

01-10-2013

Part List ID
IW1500H4

6

Pos	Part no.	Qty	Description
1	600203099	1	EVOLUTION WAND 21-28 BAR
1	CSW-13-150	1	CARPET SCRUB WAND 13HEAD-150
1	CSW-13-300	1	CARPET SCRUB WAND 13HEAD-300
1	CSW-13-500	1	CARPET SCRUB WAND 13HEAD-500
2	600700003	1	HAND TOOL S/S FOR DETAILING
3	600709908	1	FILTER IN LINE FOR 13 EVOLUT
4	600709906	1	KIT STRAP HOOK AND LOOP EVOLUT

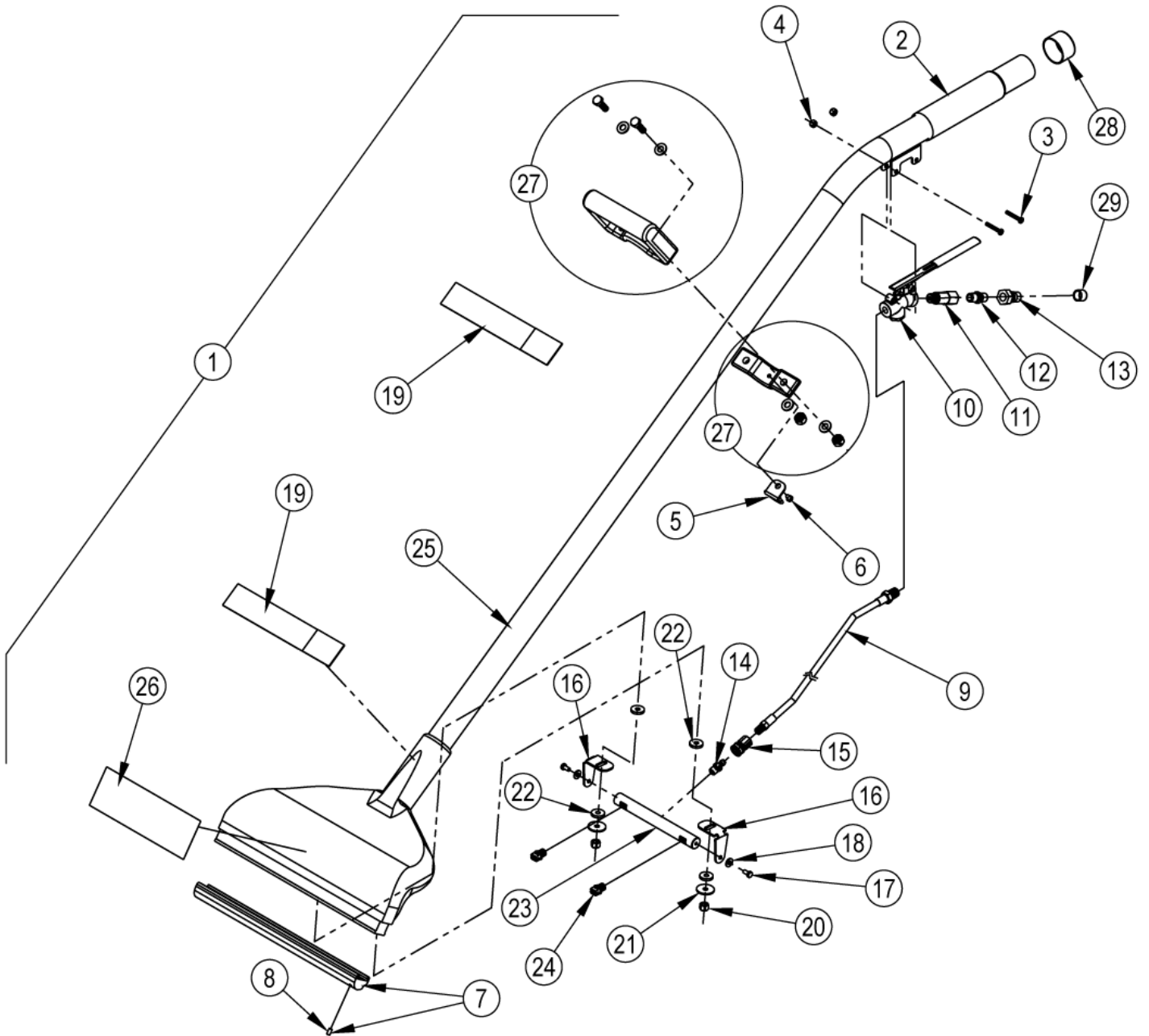
CARPET SCRUB WAND 13 HEAD

TW 1500 H

01-10-2013

Part List ID CSW1302

7



CARPET SCRUB WAND 13 HEAD

TW 1500 H

01-10-2013

Part List ID
CSW1302

8

Pos	Part no.	Qty	Description
1	CSW-13-150	1	CARPET SCRUB WAND 13HEAD-150
1	CSW-13-300	1	CARPET SCRUB WAND 13HEAD-300
1	CSW-13-500	1	CARPET SCRUB WAND 13HEAD-500
2	1153A	1	SLEEVE 6 LONG X 1-1/2 DIA
3	1156	2	SCREW 8-32 X 1-1/8 LONG P
4	56002877	2	NUT HEX NYL LOC SS 8-32
5	1394	1	D-RING BRACKET HOSE/POWER A
6	1588	1	BOLT 10-32 X 1/4 HEX HEAD S
7	FP638	1	GLIDE SLOTTED DELRIN 13 EVO
8	1591	1	SCREW SET 10-24 S/S 3/8 LO
9	FP557	1	PRESSURE LINE ASSEMBLY FOR EVO
10	600709901	1	VALVE REBUILD KIT 1200 PSI 8
10	85LUSP	1	VALVE BRASS CONTROL W/VINYL S
11	299USP	1	FILTER IN-LINE BRASS 1/4 M
12	98838A	1	HEX BRASS NIPPLE 1/4
13	45USP	1	QUICK DISCONNECT PLUG 1/4 NPT
15	222USP	1	QUICK DISCONNECT SOCKET BRAS
16	2099	2	BRACKET SPRAY MANIFOLD MOUNT
17	1588A	2	BOLT 10-32 X 3/8 HEX HEAD S/
18	87036A	2	WASHER FLAT 10 S.S.
19	1586	2	STRAP-HOSE-VELCRO-8.5 X 1.5
20	56002491	2	NUT HEX NYL LOC SS 1/4-20
21	56009060	2	WSH FLT SS .260X1.000X.074
23	2098	1	MANIFOLD S/S 1/4 NPT X 1/4 TUB
24	1587	2	SPRAY TIP BRASS 11001 V-JET
24	1587A	2	SPRAY TIP BRASS 110015 V-JET
24	188B	2	SPRAY TIP 11003 1/8 NPT BR
25	FEW-13	1	FLOOD EXTRACTOR WAND 13 EVOL.
26	3060A	1	LABEL EVOLUTION 7.5 X 2.4
27	56380459	1	GRAB HANDLE ASSEMBLY AQUAWAND

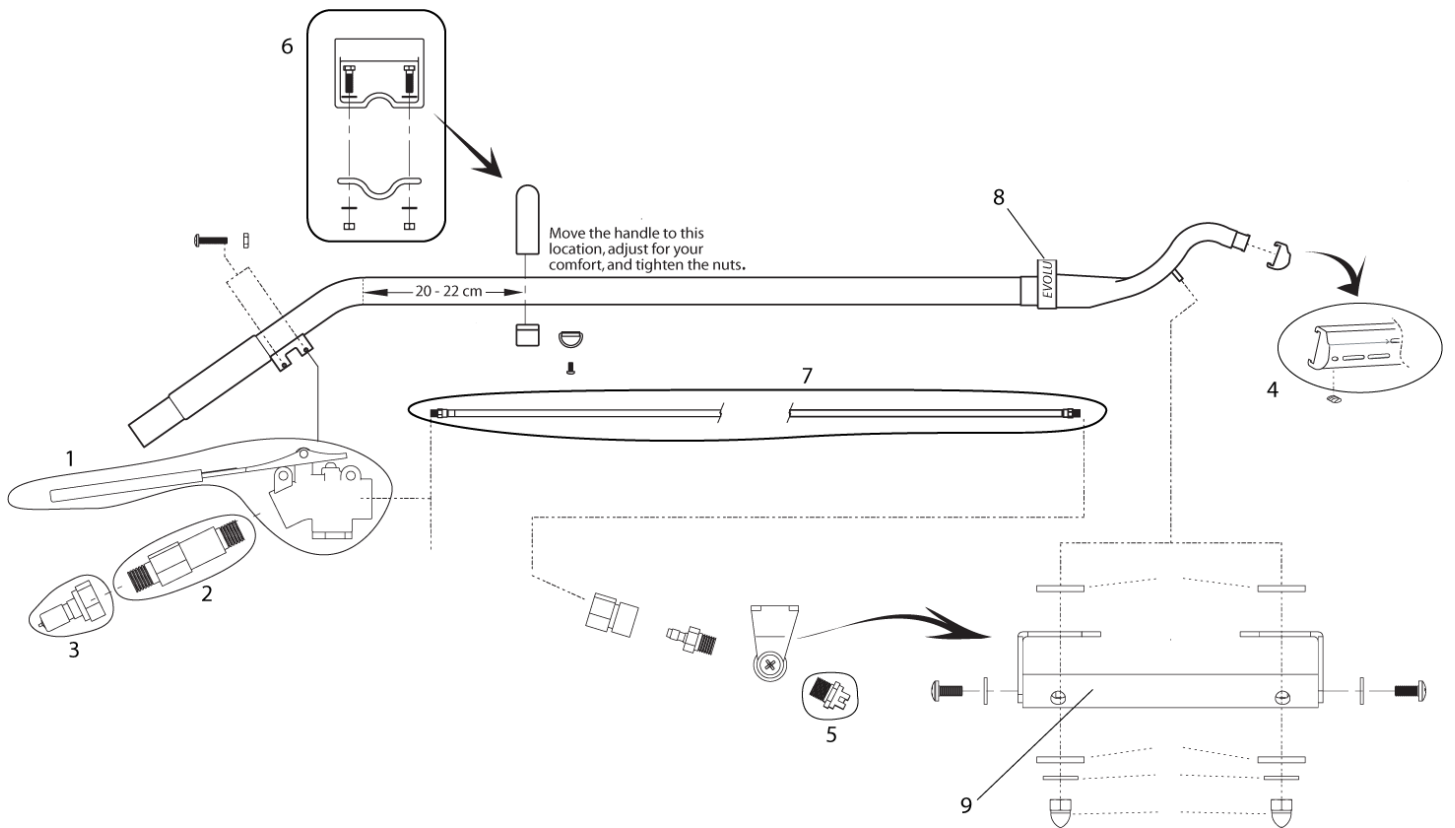
Carpet Scrub Wand

TW 1500 H

01-10-2013

Part List ID
60020309902

9



Carpet Scrub Wand

TW 1500 H

01-10-2013

Part List ID
60020309902

10

Pos	Part no.	Qty	Description
0	600709901	1	VALVE REBUILD KIT 1200 PSI 8
1	600709913	1	VALVE REPLACEMENT 85L
2	600709908	1	FILTER IN LINE FOR 13 EVOLUT
3	600709909	1	QUICK DISCONNECT MALE 45
4	600709904	1	KIT GLIDE REPLACEMENT EVOLUTIO
5	1587A	1	SPRAY TIP BRASS 110015 V-JET 21 BAR
5	188B	1	SPRAY TIP 11003 1/8 NPT BR 7 BAR
6	56380459	1	GRAB HANDLE ASSEMBLY AQUAWAND
7	600709903	1	PRESSURE LINE REPLACEMENT EVOL
8	600709906	1	KIT STRAP HOOK AND LOOP EVOLUT
9	600709907	1	MANIFOLD REPLACEMENT 13 EVO

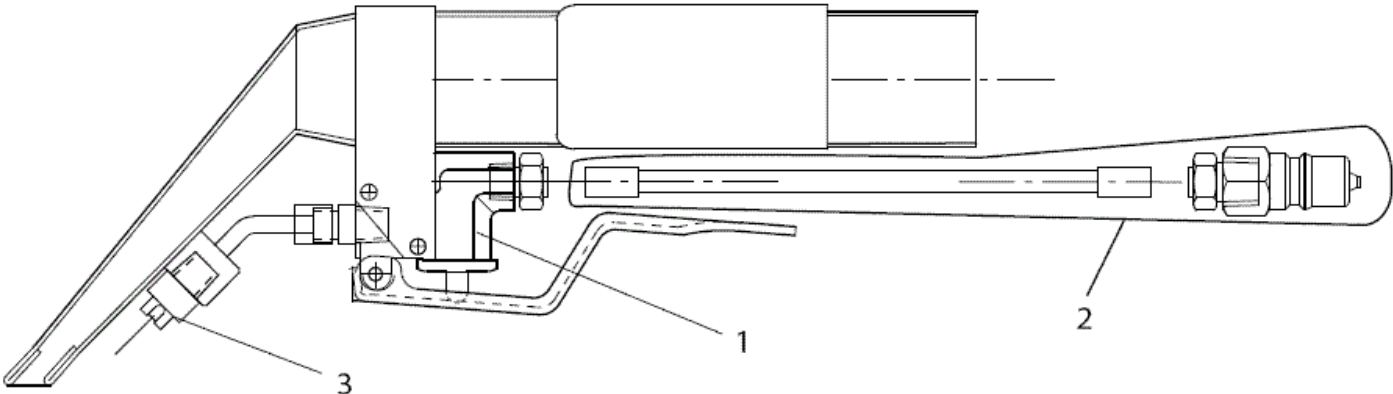
Hand Tool

TW 1500 H

01-10-2013

Part List ID
HSC5858

11



Hand Tool

TW 1500 H

01-10-2013

Part List ID
HSC5858

12

Pos	Part no.	Qty	Description
1	600700305	1	VALVE REPLACEMENT KIT 400 PSI
2	600700306	1	HOSE ASSEMBLY WITH QD
3	337USP	1	SPRAY TIP FOR HT-3 TEEJET 800