

NEPTUNE 5 FA

Model:

NEPTUNE 5-44 FA

NEPTUNE 5-46 FA

NEPTUNE 5-50 FA

NEPTUNE 5-61 FA



Stykliste Dansk

11-10-2012

Nilfisk
ALTO
works for you

www.nilfisk-alto.com

Indholdsfortegnelse

NEPTUNE 5 FA

Cabinet	3
RAMME	5
Fuel tank, detergent tank	7
Water break tank	9
Anti-scale pump	11
Motor with el-box	13
Pump	15
Water inlet - Easy start	17
Water flow regulation	19
Flow control	21
El-box	23
El-box cover	26
El-box cables	28
Burner unit - From 2012	30
Heat exchanger	32
Distributor, ignition transformer - From 2012	34
Air distributor	36
Basket for hose reel, NEPTUNE 5 + 7	38
Hose reel x-models	40
Hose reel - cord reel x2-models	42
Service crane	44
Default accessories	46
ANBEFALEDE RESERVEDELE	48

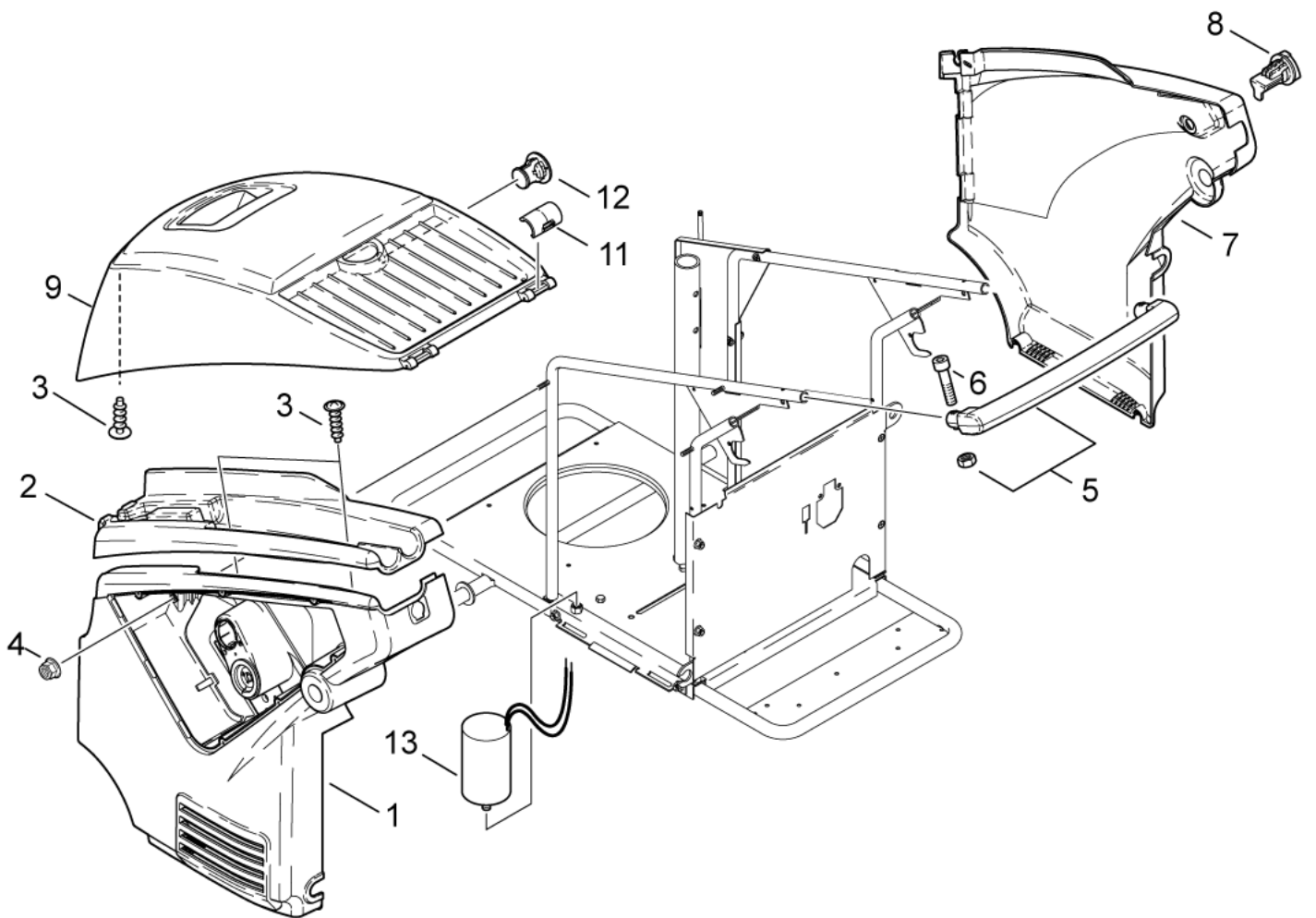
Cabinet

NEPTUNE 5 FA

11-10-2012

StyMiste ID
NEP5FA02

3



Cabinet

NEPTUNE 5 FA

11-10-2012

StyMiste ID
NEP5F-A02

4

Pos	Vare nr.	Ant	Beskrivelse
1	301000455	1	Sidekabinet - Venstre
2	301000454	1	Lanse Holder
3	1814614	2	Skrue K50X18 Wn1451 A2
4	12496	3	Møtrik M6
5	301000447	1	Håndtag
6	5945	2	Skrue
7	301000456	1	Sidekabinet - Højre
8	301000585	1	Dørlås - Ø29X28
9	301000450	1	Topkabinet NEPTUNE
11	301000457	2	Clips For Topkabinet
12	301000584	1	Lås For Topkabinet

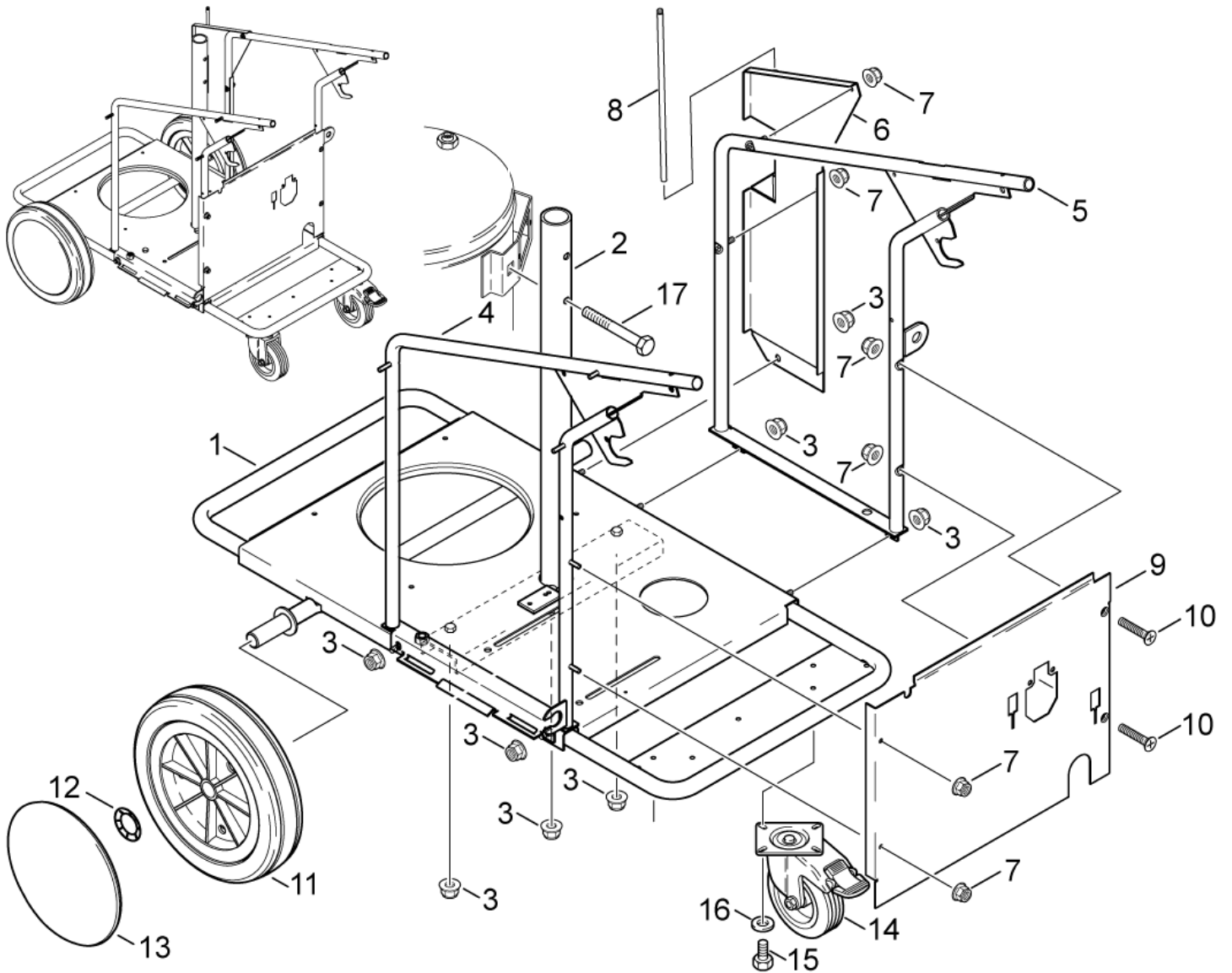
RAMME

NEPTUNE 5 FA

11-10-2012

StyMiste ID
NEP5FA04

5



RAMME

NEPTUNE 5 FA

11-10-2012

StyMiste ID
NEP5F-A04

6

Pos	Vare nr.	Ant	Beskrivelse
1	301000510	1	Base Frame
2	301000525	1	CENTRAL TUBE
3	61467	8	Møtrik M8
4	301000518	1	TUBE FRAME LEFT
5	301000519	1	Sideramme - Højre
6	301000521	1	HINGE PLATE
7	12496	6	Møtrik M6
8	301000706	1	BOLT D8X310
9	301000523	1	REAR WALL 487X364.7X20
10	8947	2	COUNTERSUNK SCREW
11	6184074	2	Kørehjul
12	46363	2	Låsering
13	301001077	2	Hjulkappe
14	301000554	2	Drejehjul
15	5370	8	SCREW M8X10
16	2762	8	Skive
17	3453	1	SCREW M8X60

Fuel tank, detergent tank

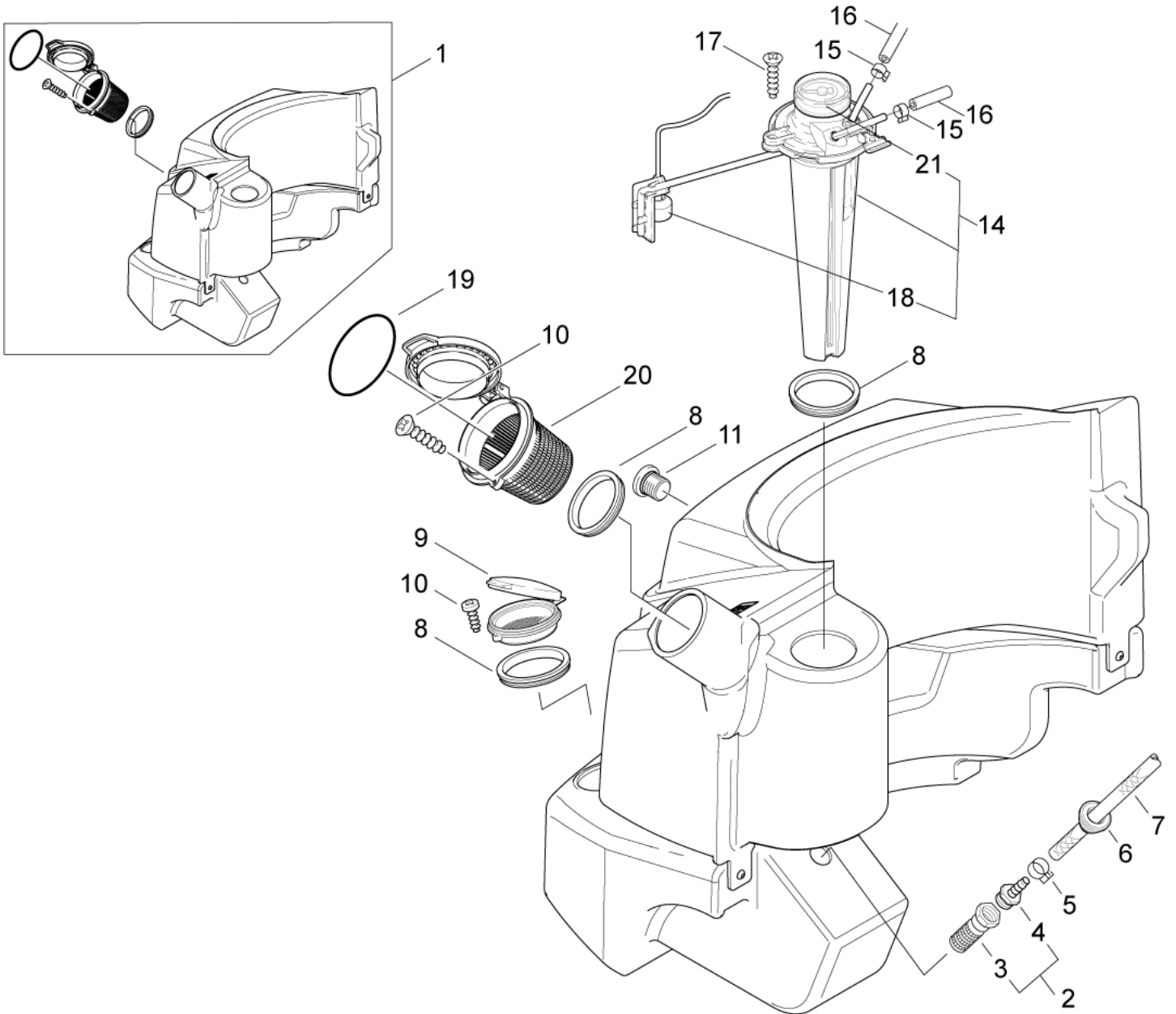
NEPTUNE 5 FA

11-10-2012

StyMiste ID

NEP5FA06

7



Fuel tank, detergent tank

NEPTUNE 5 FA

11-10-2012

StyMiste ID
NEP5F-AU6

8

Pos	Vare nr.	Ant	Beskrivelse
1	301000458	1	Tank Brændstof /Kemi
2	107145440	1	Strainer Valve Compl. Kit
3	3205	1	Filterventil
4	5283	1	HOSE NOZZLE 6R3/8
5	11654	1	Slangeklemme
6	301000618	1	Pakning Ø32X20, 1
7	101406100	1	Kemislange, 5 Meter
8	301000620	3	Pakning Ø79,6Xø66X10
9	301000561	1	Dæksel
10	18086	2	Metal Skrue
11	6180906	1	Prop M. O-Ring
14	301000644	1	Brændstof måler
15	301001133	2	Slangeklemme Ø10/7
16	5226220	2	Gummislange Sort Pr.M. 1,5m
17	5606	1	Metal Skrue
18	301001196	1	Float Switch
19	909100173	1	O-Ring
20	301001292	1	Filter-Cup Ø98,8
21	301000634	1	Dæksel

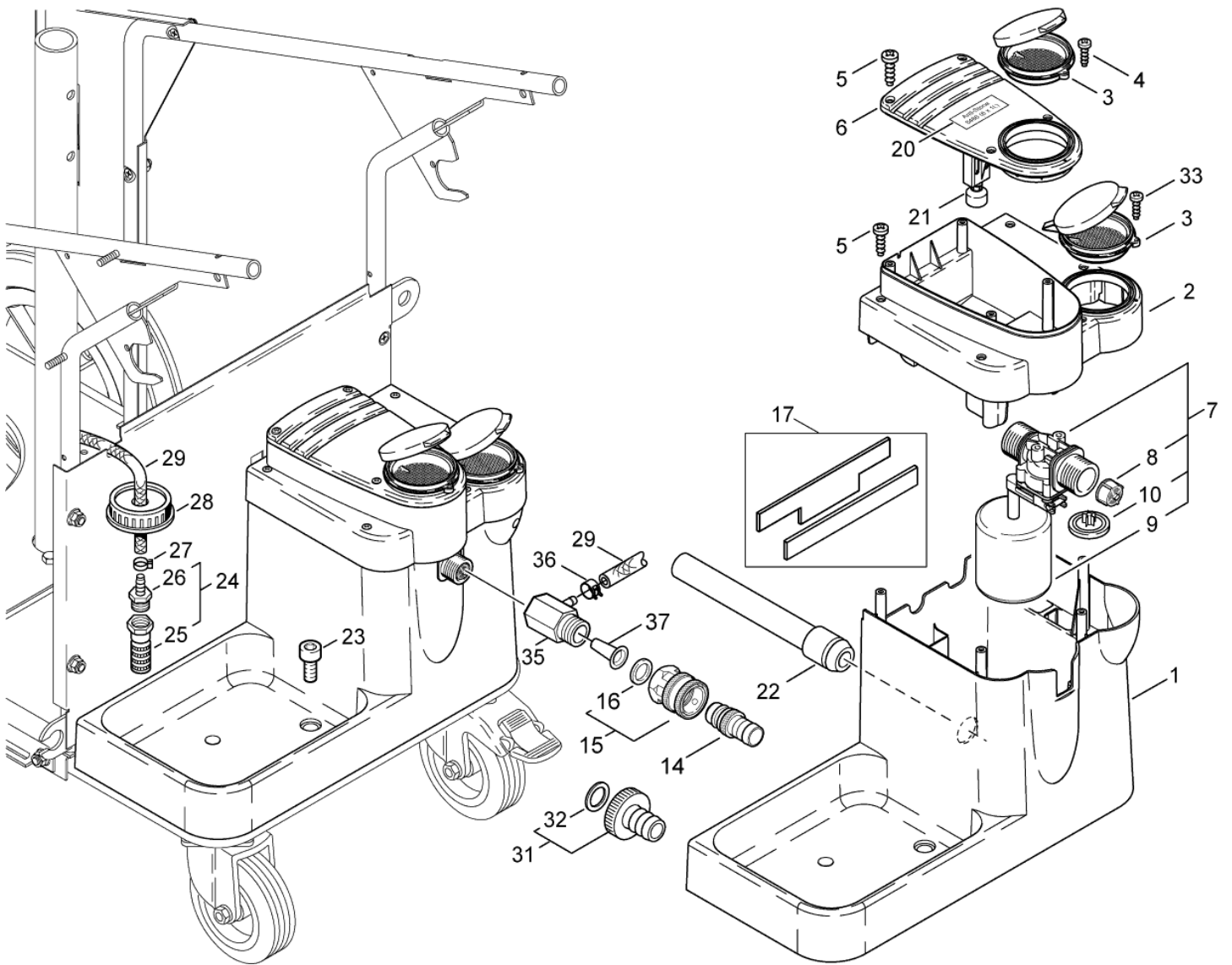
Water break tank

NEPTUNE 5 FA

11-10-2012

StyMiste ID
NEP5FA08

9



Water break tank

NEPTUNE 5 FA

11-10-2012

StyMiste ID
NEP5FA08

10

Pos	Vare nr.	Ant	Beskrivelse
1	301000563	1	Vand Tank
2	301000562	1	Anti Kalk Tank
3	301000561	2	Dæksel
4	5606	1	Metal Skrue
5	56727	9	Ejop-Skrue
6	301000560	1	Låg Anti Kalk Tank
7	63347	1	Svømme Ventil
8	34218	1	Filter For Float Valve Ku
9	62877	1	Svømmer
10	62878	1	Gummimembran
14	1600659	1	Lynkoblingsnippel
14	1605872	1	QUICK COUPLING NIPPLE
15	1602945	1	"Lynkobling 3/4" Lav tryk "
16	3001237	1	Pakning Ø24,5Xø16X3
17	101117872	1	Gasket Kit
18	301001180	1	Prop For Anti Kalk Ventil
19	301000915	1	Klæbeskilt
20	301000932	1	Label
21	301000695	1	Niveauføler
22	301001416	1	Suge Slange
23	8892	2	Skrue
24	107145440	1	Strainer Valve Compl. Kit
25	3205	1	Filterventil
26	5283	1	HOSE NOZZLE 6R3/8
27	11654	1	Slangeklemme
28	301001004	1	Canister Cover
29	101406100	2	Kemislange, 5 Meter
31	61369	1	Slangestuds Ø20X3/4 Cuzn
32	46487	1	Packing Ring 21X29X2,5
33	18086	1	Metal Skrue
34	909100141	1	Slange
35	101117873	1	Vandtilgang
36	11654	1	Slangeklemme
37	101117926	1	Filter

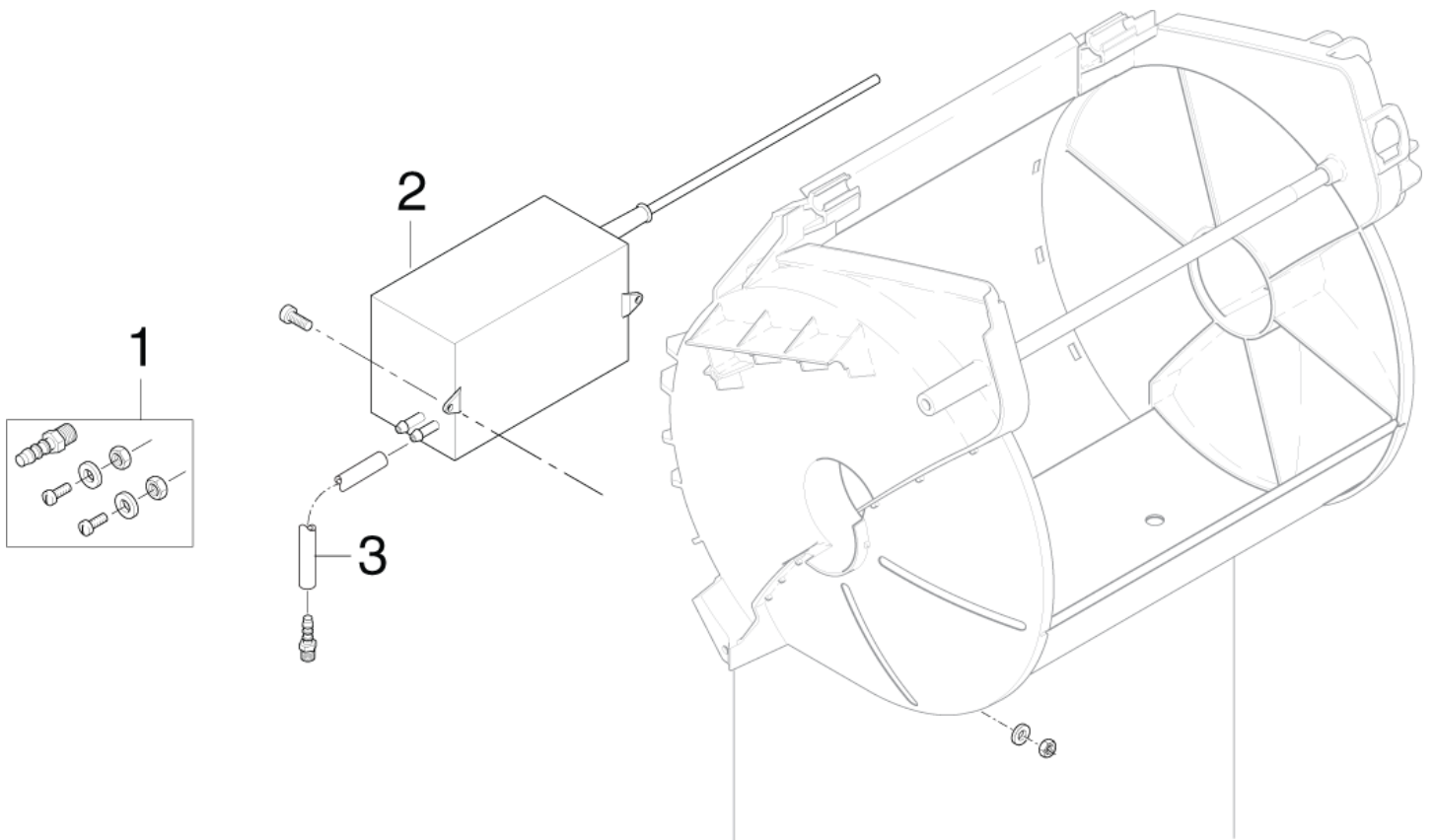
Anti-scale pump

NEPTUNE 5 FA

11-10-2012

StyMiste ID
NEPTUNE282

11



Anti-scale pump

NEPTUNE 5 FA

11-10-2012

Stykliste ID
NEPTUNE282

12

Pos	Vare nr.	Ant	Beskrivelse
1	101117831	1	Monterings-Sæt
2	101117826	1	Blødgøringspumpe NEPTUNE 5
2	101117828	1	Antiscale Pump St-15 140M L 24V L 24V NEPTUNE 7 + 8
3	101117833	1	Slange Ø3/05, 0.6 Mm.

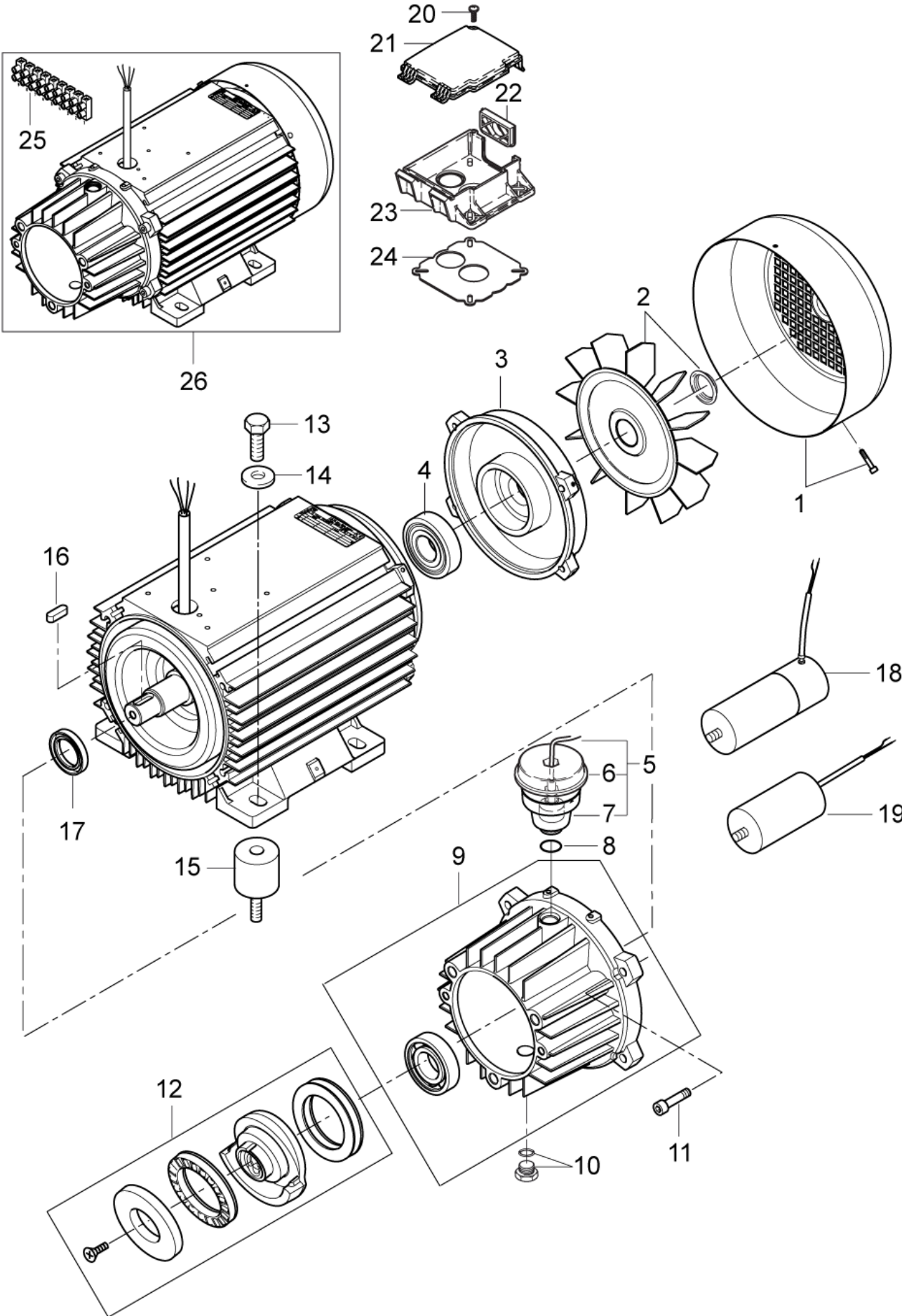
Motor with el-box

NEPTUNE 5 FA

11-10-2012

StyMiste ID
NEP5FA10

13



Motor with el-box

NEPTUNE 5 FA

11-10-2012

StyMiste ID
NEP5FA10

14

Pos	Vare nr.	Ant	Beskrivelse	
-	107144146	1	Pump Oil Na5 1 Liter B	
1	107144126	1	FAN COVER RF	
1	107144127	1	FAN COVER - EME	
2	107144124	1	FAN W/LOCK RING - EME	
2	107144125	1	FAN W LOCK RING RF	
3	31000148	1	Rear Bearing Cover Rf	
3	31000150	1	REAR BEARING COVER EME	
4	31000149	1	Leje, Rf	
4	31000151	1	REAR BEARING EME	
5	301000616	1	Level Indicator, Pump Oil	
6	301000615	1	Dæksel	
7	301000614	1	Kemibeholder	
8	56554	1	O-Ring	
9	107144113	1	D-Leje Dæksel	
10	107144135	1	Oil Plug W/O-Ring Na5 Spa Repart REPART	
11	107144142	1	Screw Kit Pump Na5	
12	107144114	1	Skråskive-Sæt 12 Na5	5-61
12	107144116	1	Wobble Disc 10.2 Deg. Bea Ring Kit Na5 RING KIT NA5	3x200 50Hz, 5-50
12	107144117	1	WOBBLE DISC 9.85DEG.BEARING KIT NA5	5-61 3x220-440V 60Hz
12	107144118	1	Skråskive-Sæt 9.15 Na5	SB, 3x220-460V 60Hz
12	107144119	1	Skråskive 8.4 Deg Kit Na5	5-47 3x200 60Hz
13	32964	4	Skrue	
14	4827	4	WASHER 10.5X2.5	
15	107318091	1	VIBRATION DAMPER M8	
16	19639	1	Fjede A	
17	G120414	1	Olietætningsring 30X47X10	
18	101118003	1	CAPACITOR 100UF KIT	US
19	101118004	1	CAPACITOR 40UF KIT	US
20	10028	1	Skrue	
21	301000782	1	Dæksel	
22	17106	1	INSET	
23	301000781	1	Elkasse	
24	301000845	1	GASKET FOR ELECTRIC BOX 100.50X114X1MM N	
25	101117839	1	Terminal Plug And Termin L Pins L PINS	
26	101118001	1	MOTOR 4KW 200/3/50-60 KIT	JP, 3x200-50/60Hz 4kW
26	107144128	1	Motor 6.7 Kw 220-400/440/ 3 50/60Hz - Eu 3 50/60Hz - EU	
26	107144129	1	Motor 5,5 Kw	

Pump

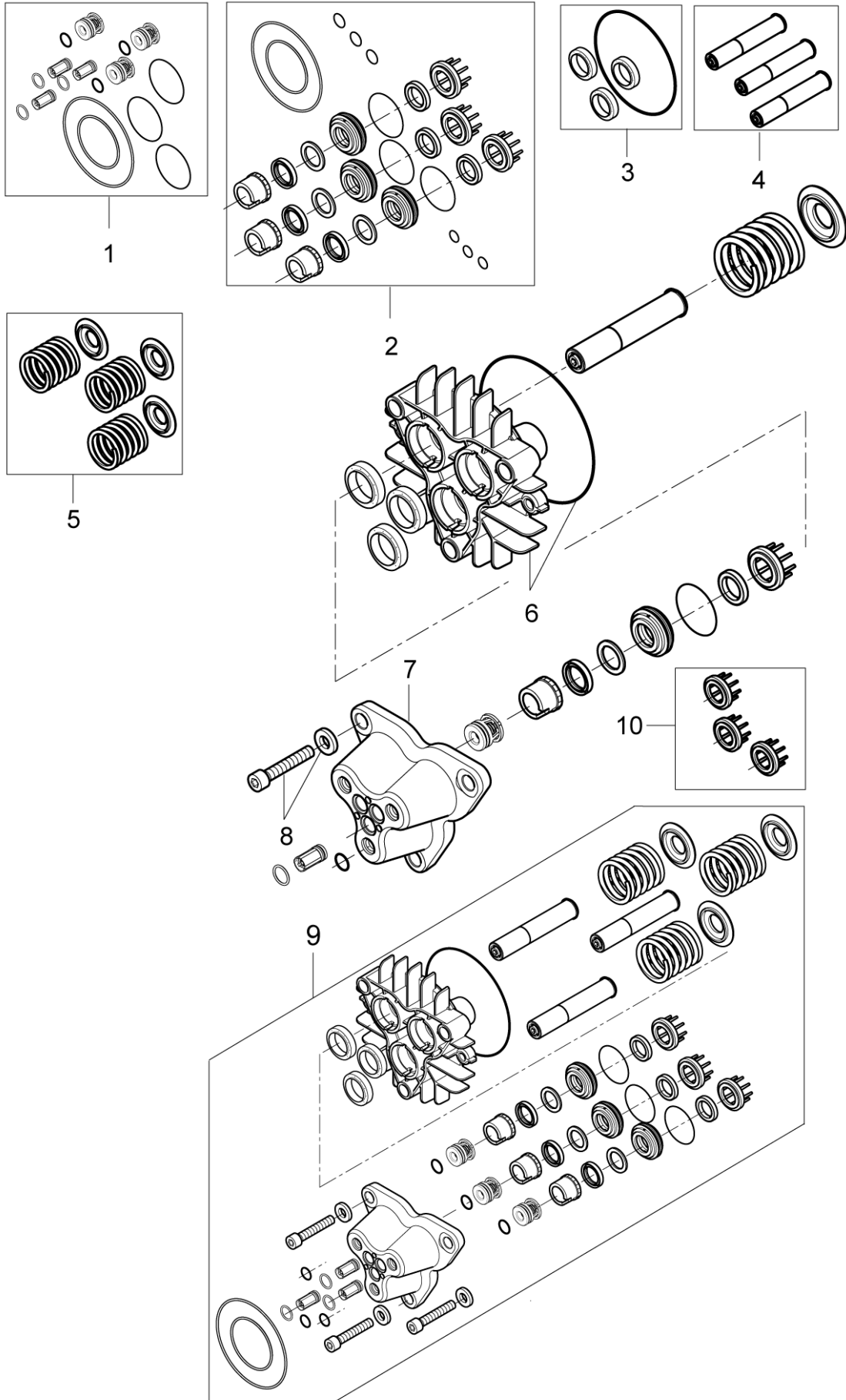
NEPTUNE 5 FA

11-10-2012

StyMiste ID

NEP5FA12

15



Pump

NEPTUNE 5 FA

11-10-2012

StyMiste ID

NEP5FA12

16

Pos	Vare nr.	Ant	Beskrivelse
1	107144100	1	Ventil Kit Na5
2	101118097	1	WATER SEAL KIT W. NEW SUPPORT RING - NA5 TSB-PPW-2011-009 NA5 Pump Thrust Collars
3	107144102	1	Oliemanchet Kit - Na5
4	107144103	1	Stempel Kit - Na5
5	107144104	1	Fjeder Kit - Na5
6	107144140	1	Cylinderblok M O-Ring
7	107140920	1	CYLINDER HEAD W. CANAL NA5 SPARE
8	107144141	1	Screw Kit Cylinder Head N A5Sparepart A5SPAREPART
9	101118096	1	Na5 Pump Kit
10	107140919	1	SUPPORT RING NA5 SPARE

Water inlet - Easy start

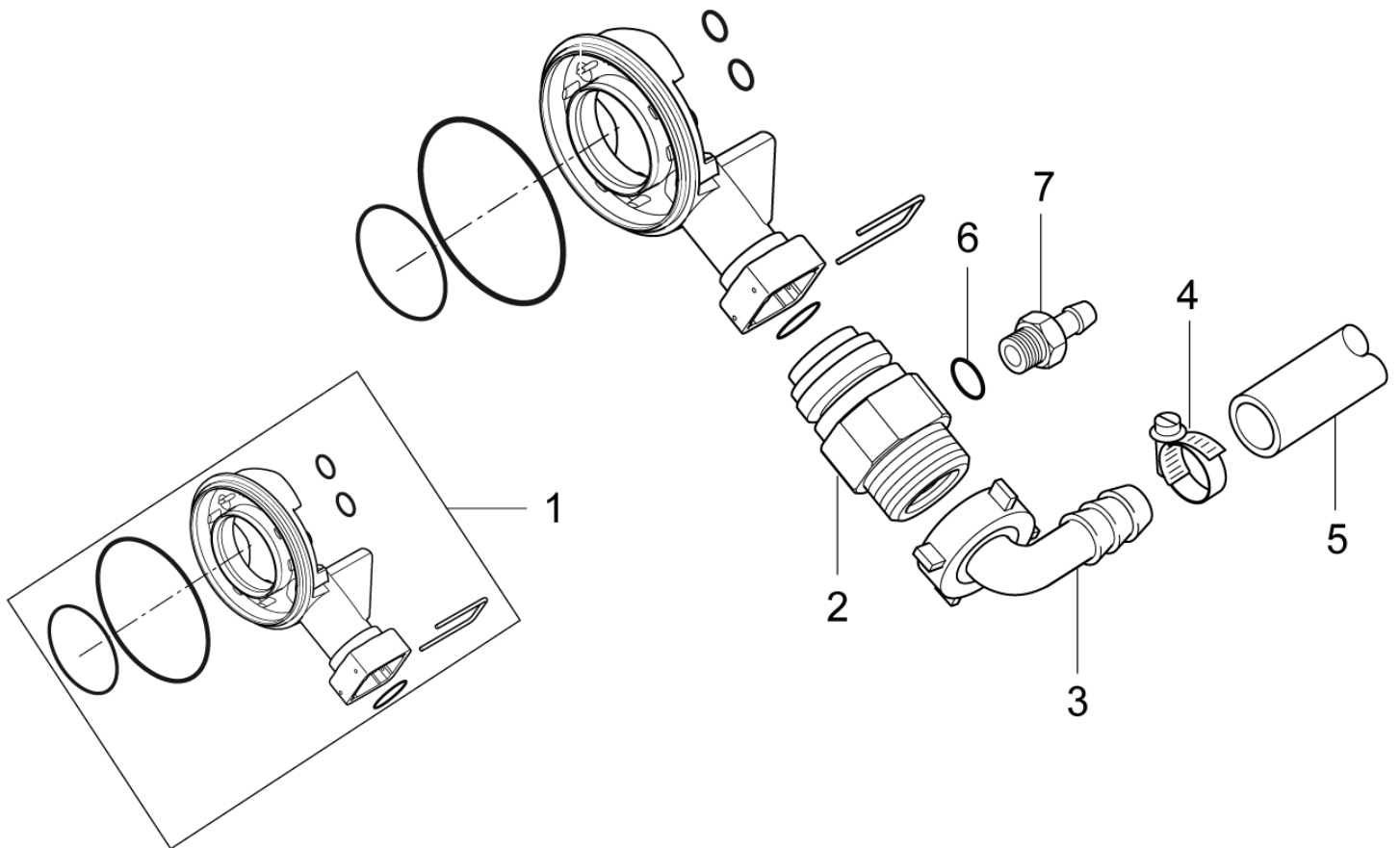
NEPTUNE 5 FA

11-10-2012

StyMiste ID

NEP5FA14

17



Water inlet - Easy start

NEPTUNE 5 FA

11-10-2012

StyMiste ID

NEP5F-A14

18

Pos	Vare nr.	Ant	Beskrivelse
1	101117929	1	Water Inlet NEPTUNE
2	101117877	1	Suction Water Limiter
3	5613	1	Slangestuds
4	9262	1	HOSE CLIP 12-20
5	301000713	1	Suge Slange
6	3001237	1	Pakning Ø24,5Xø16X3
7	101117778	1	Suction Fitting For Axr
7	101117953	1	Suction Fitting D2.0 4-25 EU and 4-28 AU, NZ

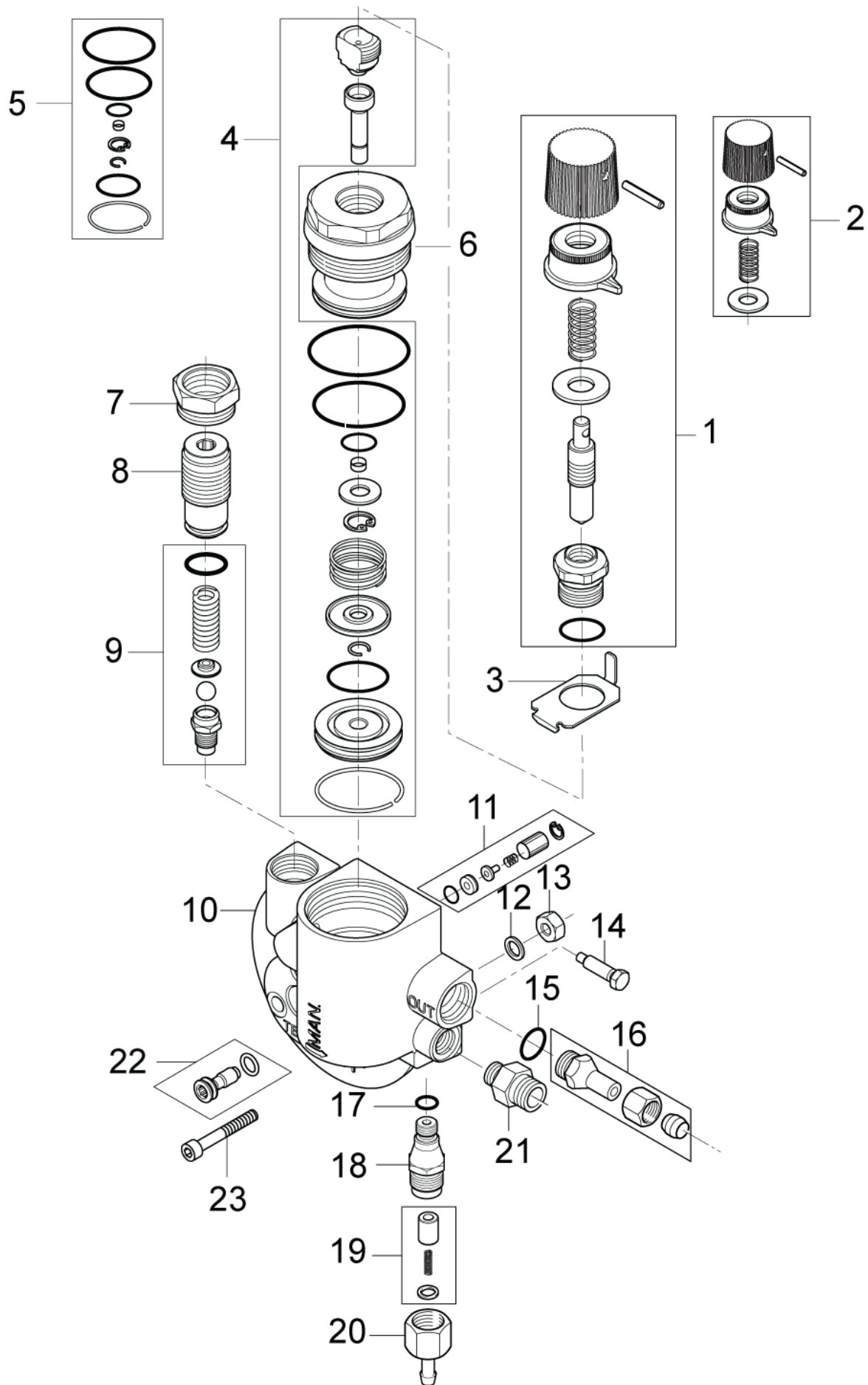
Water flow regulation

NEPTUNE 5 FA

11-10-2012

StyMiste ID
NEP5FA16

19



Water flow regulation

NEPTUNE 5 FA

11-10-2012

StyMiste ID
NEP5F-A16

20

Pos	Vare nr.	Ant	Beskrivelse
1	6200561	1	VandmæGDeregulering Komp
2	6008041	1	Ventilgreb Komp.
3	101117883	1	Stop Bracket For Na5 Unlo Ader ADER
4	1118546	1	Rep.Sæt F. Omløbsventil
5	101117884	1	Sealing Kit For Regulator
6	6150642	1	Bundskrue F. Omløbsventil
7	6100928	1	Kontramøtrik
8	6100940	1	Justerskrue
9	1118512	1	Rep.Sæt, Sikkerhedsventil
10	101117885	1	Unloader Housing
11	101117886	1	Valve Kit
12	3001377	1	Selv tættende Skive
13	6150680	1	Kontramøtrik
14	101117887	1	Adjustment Screw For Na5
15	1801075	1	"Tætningsskive 3/8" Rg "
16	6220554	1	Skæreringsforskruning
17	3000296	1	O-Ring 7,1X1,6 Nitril
18	101117890	1	Housing For Venting Valve
19	1119317	1	Rep.Sæt Udluftningsventil
20	6221529	1	Dæksel F. Ventilhus
21	1602606	1	"Ligeforskruning Ø6X1/8" "
22	107144137	1	Unloader Plug Na5
23	107144142	1	Screw Kit Pump Na5

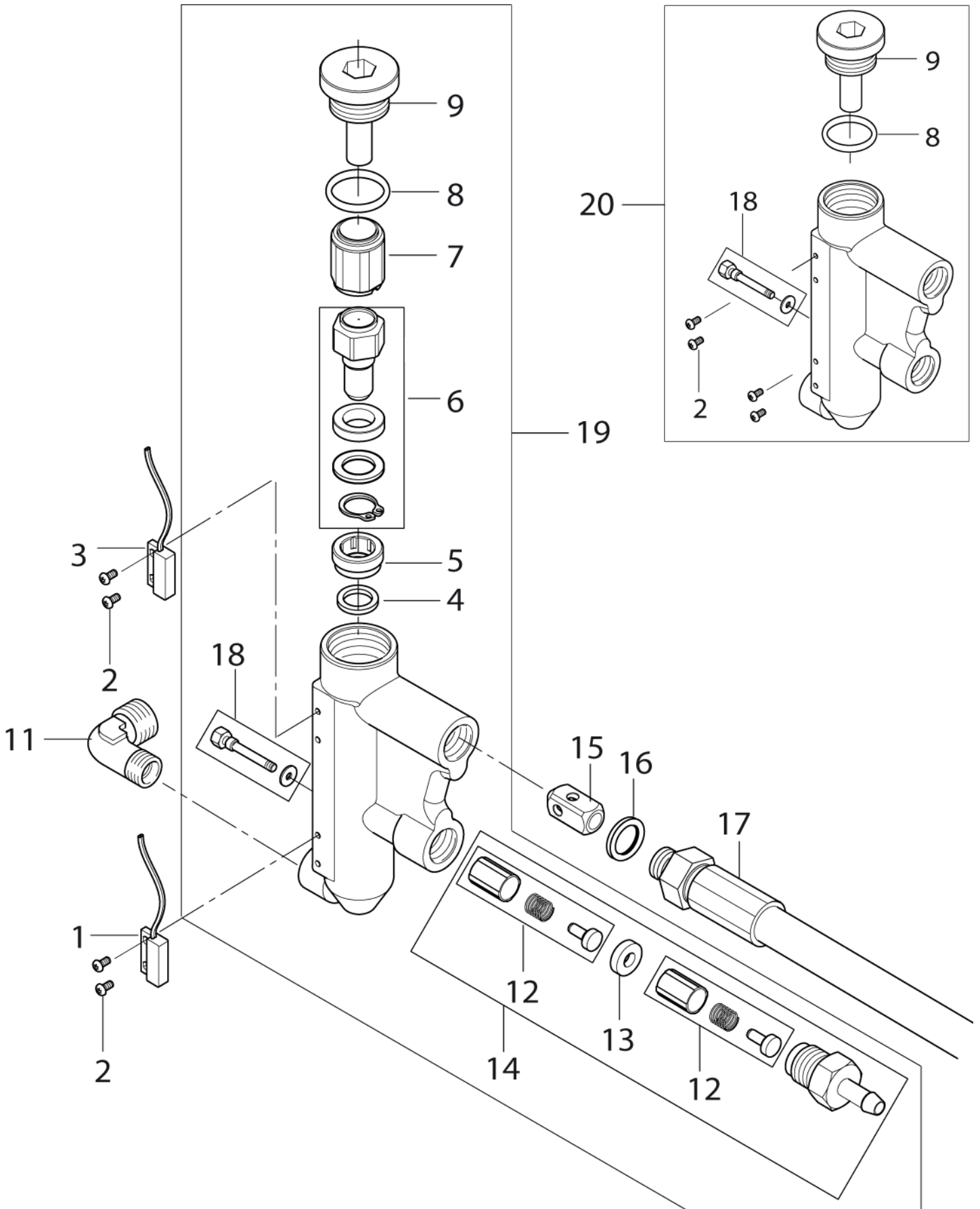
Flow control

NEPTUNE 5 FA

11-10-2012

StyMiste ID
NEP5FA18

21



Flow control

NEPTUNE 5 FA

11-10-2012

StyMiste ID
NEP5FA18

22

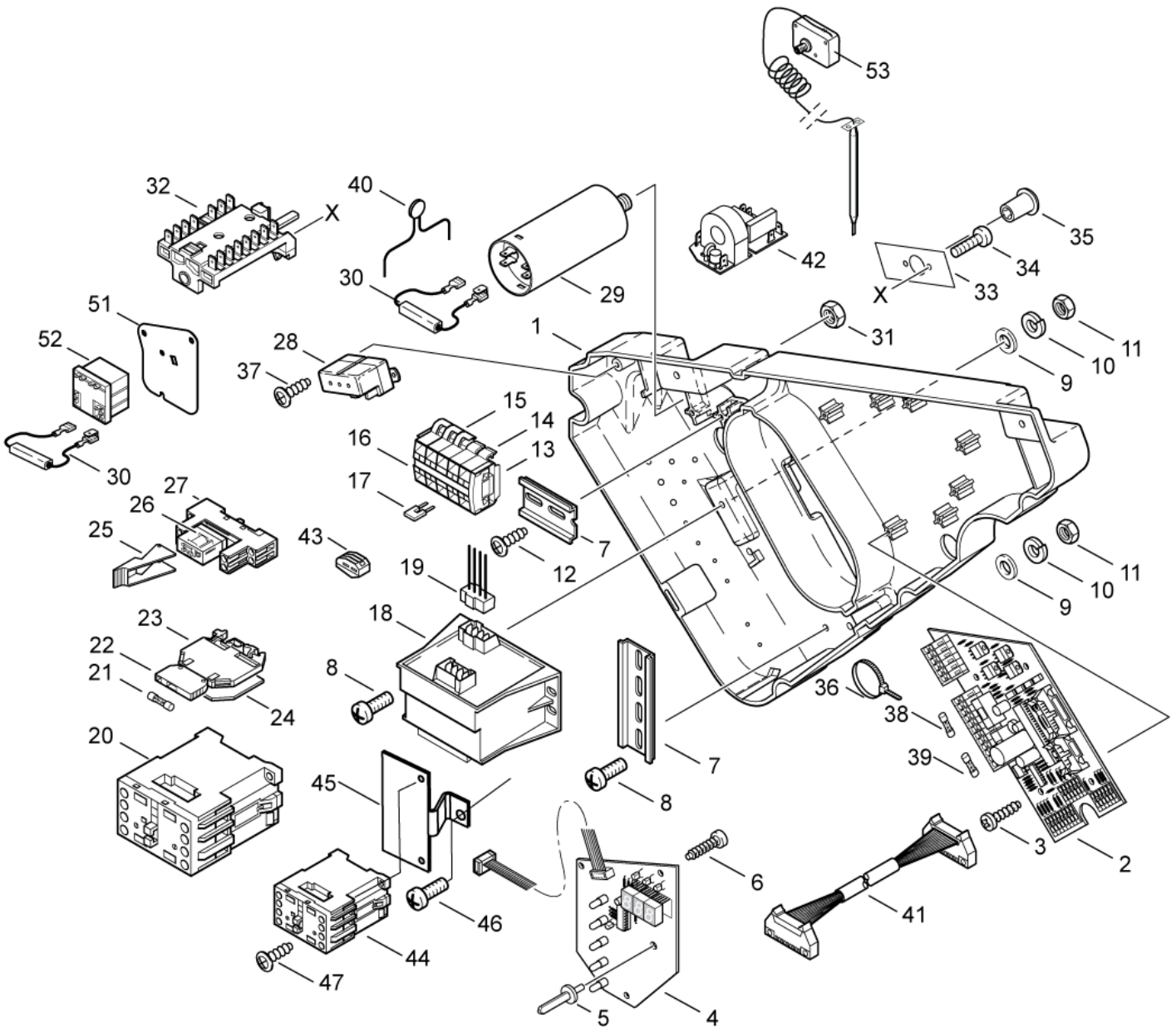
Pos	Vare nr.	Ant	Beskrivelse	
1	101117891	1	Micro Switch N/C	
2	101118033	4	Screw M3X6 Brass Din 84 Iso 1207 Kit ISO 1207 KIT	
3	101117800	1	Reed Switch Kit	
4	3001112	1	O-Ring 10X3	
5	6201534	1	Sæde	
6	101117896	1	Non Return Valve W/Magnet	
7	6350454	1	Stempel	
8	3000825	1	O-Ring 20,24X2,62 Nitril	
9	101117899	1	Plug For Flow Control	
11	1603119	1	"Vinkel Ø12X1/4" "	
12	1119566	2	Rep.Sæt Kontraventil	
13	6201535	1	Sæde F. Kontraventil	
14	1119318	1	Rep.Sæt F. Kontraventil	
15	6101038	1	Stempel	
16	1801075	1	"Tætningsskive 3/8" Rg "	
17	101117907	1	Hose Dn8X700	
18	101118010	1	Screw Kit For Flowcontrol	See note
19	101118012	1	Flow Control Komplet Sæt	See note
20	101118032	1	Flow Control Replacement Kit KIT	

El-box NEPTUNE 5 FA

11-10-2012

StyMiste ID
NEP5FA20

23



El-box

NEPTUNE 5 FA

11-10-2012

StyMiste ID
NEP5F-A20

24

Pos	Vare nr.	Ant	Beskrivelse
1	301000679	1	ASSEMBLY PLATE
2	301000680	1	Hov ed Print
2	301002123	1	Microprocessor
3	1805175	4	Plastskruer
4	301000678	1	Display
5	301000636	1	Aksle
6	11254	3	SCREW 3.5X10 WN1411
7	22290	1	MOU. RAIL TS35/F6 7.5 18X5.2 EN60715 ZN
8	15146	4	RAISED DOME HEAD SCREW M5X12 H DIN 7985
9	2763	4	Washer 5,3X1
10	1813773	4	SERRATED LOCK WASHER
11	2760	4	Møtrik
12	16860	1	Skruer 4x12
13	301000689	1	END PLATE GREY 4MM TYP 264
14	301000688	1	WIRE TERMINAL 4X2.5MM
15	301000686	2	WIRE TERMINAL 4X2.5MM T
16	301000687	2	WIRE TERMINAL 2X2.5MM
17	301000683	1	JUMPER
18	301000681	1	Transfomator
18	301001059	1	Transformer
18	301001060	1	TRANSFORMER 115AT 200V 2
19	301000722	1	WIRE H07V-K 4-POL. AEH US
19	301002463	1	CABLE H07V-K 4-POLE
20	103822306	1	Contactør Cjx2-D18-B7 24V
20	103822313	1	Contactør 12-25A 50/60Hz 24V 24V
20	103822317	1	Contactør Cjx2-D32-B7 24V
21	3812385	1	Sikring Ø5X20
22	3807914	1	Sikringsholder Sist
23	3807906	1	TERMINAL STEIP WK4
24	301000734	1	END PLATE
25	301000684	1	Holderbøjle
26	26817	1	Relæ
27	41573	1	Relæsokkel
28	11060	1	Startrelæ
29	301000403	1	Startkondensator 98µf
30	301000402	2	Modstand
31	2758	1	HEXAGON NUT M8
32	301000293	1	Kontakt Stjerne/Trekant
33	64586	1	LABEL
33	64787	1	LABEL 220-440V CHANGE-OVER 74X28
34	40045	2	PAN HEAD SCREW M4X30
35	64580	1	ROTARY KNOB
36	15147	1	CABLE STRAP 3.5X1.3X175

El-box

NEPTUNE 5 FA

11-10-2012

StyMiste ID

NEP5FA20

25

Pos	Vare nr.	Ant	Beskrivelse
37	16860	1	Skrue 4x12
38	103821729	1	Fuse Ø5X20 2A T, 250V
39	24499	1	Sikring
40	301002353	1	Current Limiter 5W
41	301001995	1	WIRE 16-POL. 1.3M TUBEFLEX-Y
42	301001991	1	CIRCUIT BOARD 1PH 24VAC
43	301001229	1	Rækkelemme 3X4 Qmm JP
43	301002165	2	CAGE CLAMP TERMINAL 5POL WAGO 222-415
51	107140151	1	FITTING FOR STARTER RELAY NEPTUNE 5
52	103822214	1	STARTER RELAY HOTWATER RVAH4AH3D US 5-45
53	101117723	1	Flammesensor Neptun 2

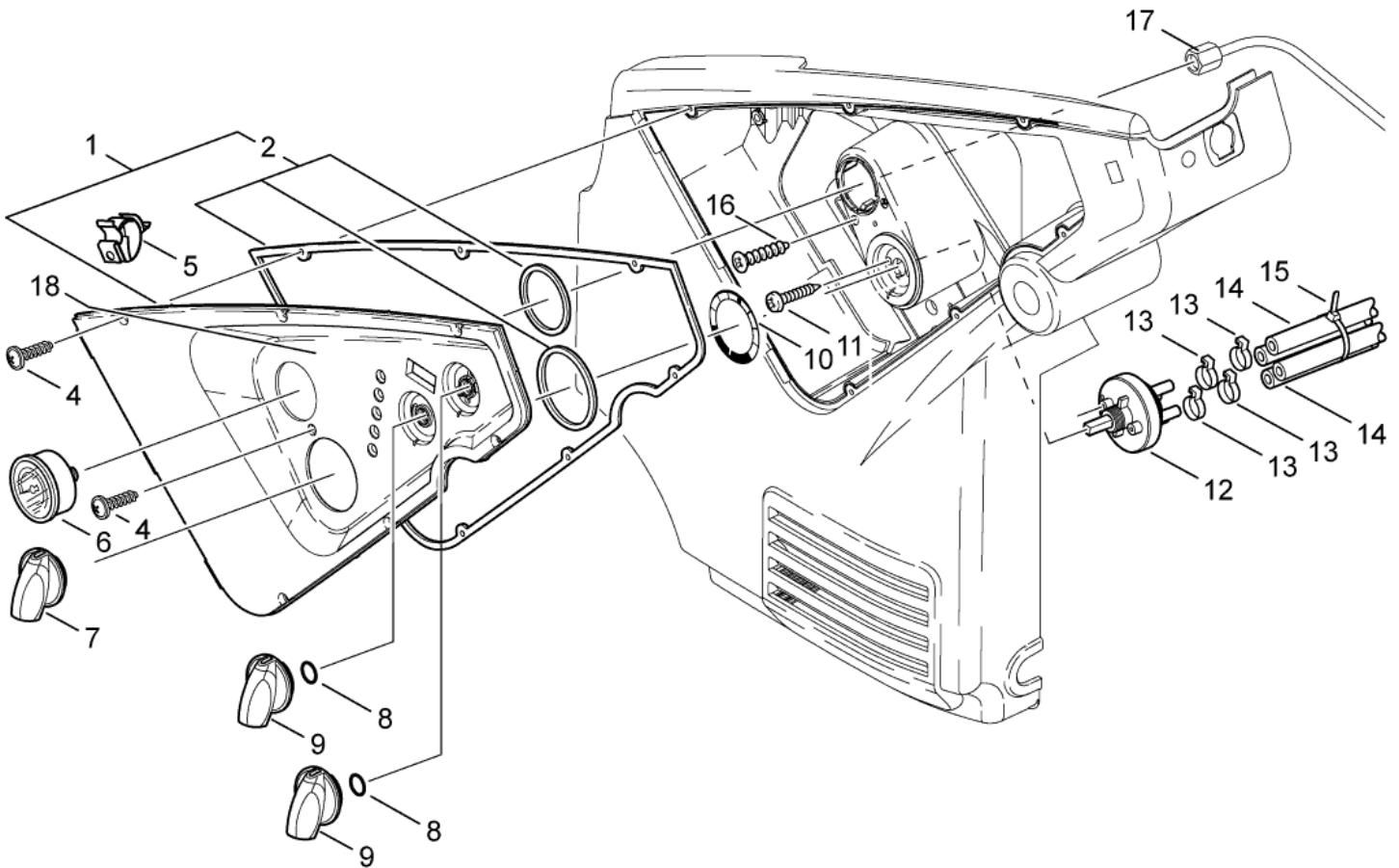
El-box cover

NEPTUNE 5 FA

11-10-2012

StyMiste ID
NEP5FA22

26



El-box cover

NEPTUNE 5 FA

11-10-2012

StyMiste ID

NEP5F-AZZ

27

Pos	Vare nr.	Ant	Beskrivelse
1	301001095	1	Dæksel
2	301000970	1	Pakningssæt
4	1814614	6	Skrue K50X18 Wn1451 A2
5	301001075	1	WIRE HOLDER D22X38X16
6	49473	1	Manometer 0-250 Bar
7	909100207	1	Drejeknap
8	9868	2	O-Ring 10.0X2.5
9	909100206	2	Drejeknap
10	301000786	1	Klæbeskilt
11	1814730	2	SCREW 35X10B W1423
12	301001000	1	Doserventil
13	11654	4	Slangeklemme
14	101406100	1	Kemislange, 5 Meter
15	8819	1	Strips
16	11253	2	Skrue Ka5,0X20 Aero
17	60141	1	Manometerslange (Højtryk)
18	301000785	1	Label

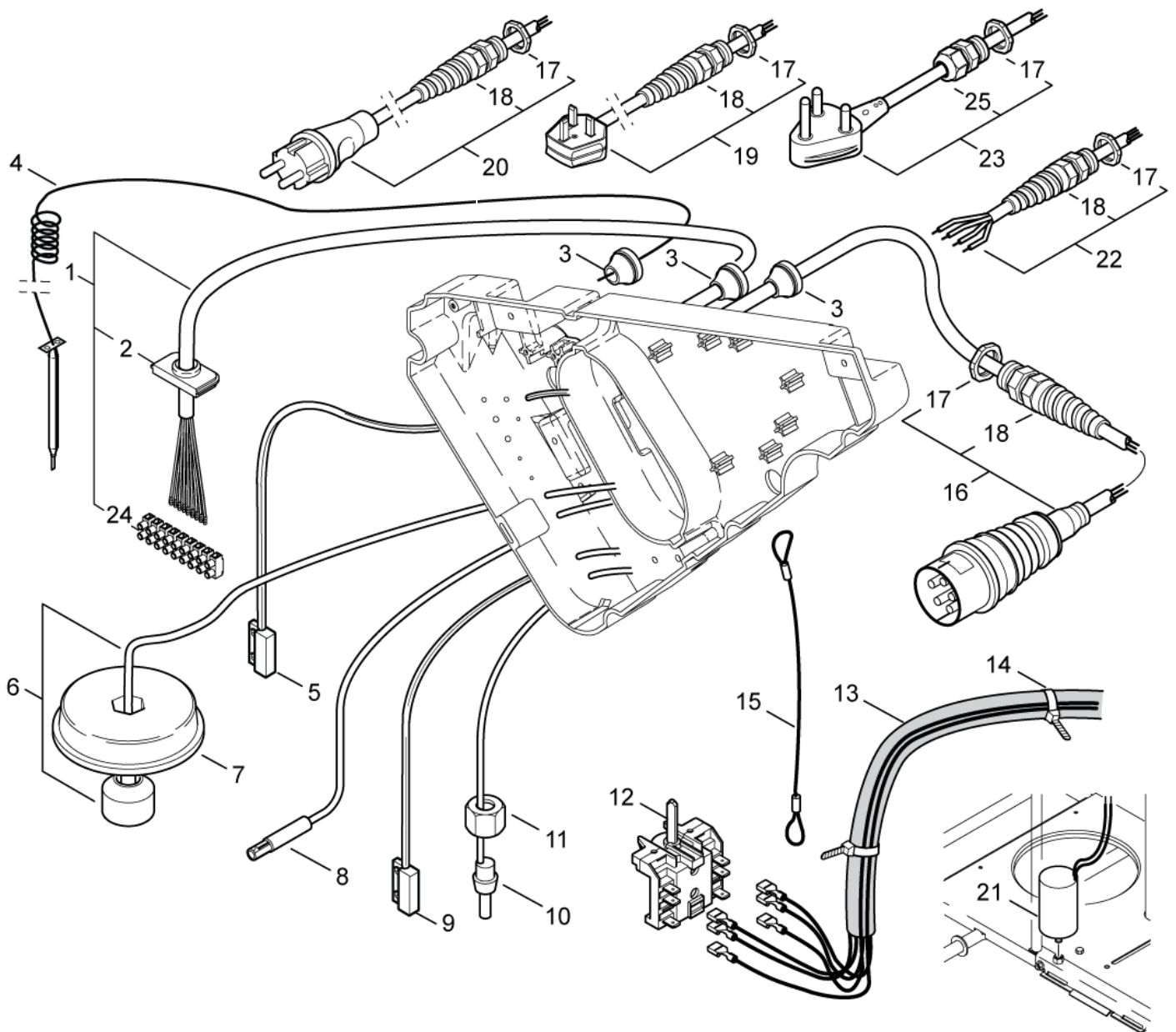
El-box cables

NEPTUNE 5 FA

11-10-2012

StyMiste ID
NEP5FA24

28



El-box cables

NEPTUNE 5 FA

11-10-2012

StyMiste ID
NEP5F-A24

29

Pos	Vare nr.	Ant	Beskrivelse	
1	101117846	1	MOTOR CABLE 9-WIRE 1PH AWG14	1x220V 60Hz US
1	101117848	1	NEPTUNE MOTOR CABLE 7-WIRE 1PH 1.5MM2	
1	101117849	1	Kabel 9-Ledet, Motorkit	
1	101117851	1	NEPTUNE MOTOR CABLE 9-WIRE 3PH 1.5MM2	220-440V 60Hz
2	17106	1	INSET	
3	3803780	2	Pakdåse Tet 10-14C	
3	3803798	2	Pakdåse Tet 14-20C	
4	101117723	1	Flammesensor Neptun 2	
5	101117800	1	Reed Switch Kit	
6	301001196	1	Float Switch	
7	301000615	1	Dæksel	
8	301000729	1	Flammeføler	
9	101117891	1	Micro Switch N/C	
10	301000730	1	Temperaturføler	
11	1081	1	Tilslutningsmøtrik, Galv.	
12	28877	1	Switch	
13	301000719	1	CORD TRANSFORMER 230AT 4G	
13	301000720	1	CORD TO TRANSFORMER 400V	
13	301000721	1	CORD TRANSFORMER 4G1.5	
14	4059	5	CABLE STRAP 3.6X1.1X110	
15	301001091	1	ROPE D1.2X365	
16	301000834	1	Ledning Med Stik	
16	301001992	1	POWER CORD H07BQ-F 3G4X6.0 CEE 32A4H	
17	909100019	1	Møtrik	
17	909100020	1	Hexagon Thin Nut M25X1.5 En 50262 P EN 50262 PA	
18	909100043	1	Kabelaf lastning	
18	909100198	1	SCREWED CABLE GLAND M25X1.5	
19	301000830	1	POWER CORD H07RN-F 3G1.5	GB 1x230V 50Hz
19	301000912	1	POWER CORD H07RN-F 3G1.5X6.0	GB
20	301000829	1	POWER CORD H07RN-F 3G1.5X6.0	
22	301000833	1	POWER CORD H07RN-F 4G2.5X6.0	3x230-400V 50Hz BE, NO, 3x220-440V 60Hz KR
22	301000834	1	Ledning Med Stik	3x230V 50Hz EU
22	301001384	1	POWER CORD VCT 4X3.5X11M	JP
22	301001466	1	POWER CORD SJOW AWG12/4X11	
23	301000407	1	POWER CORD SJOW AWG10/3X9.0	US
24	101117839	1	Terminal Plug And Termina L Pins L PINS	
25	107141571	1	CABLE GLAND KIT	US

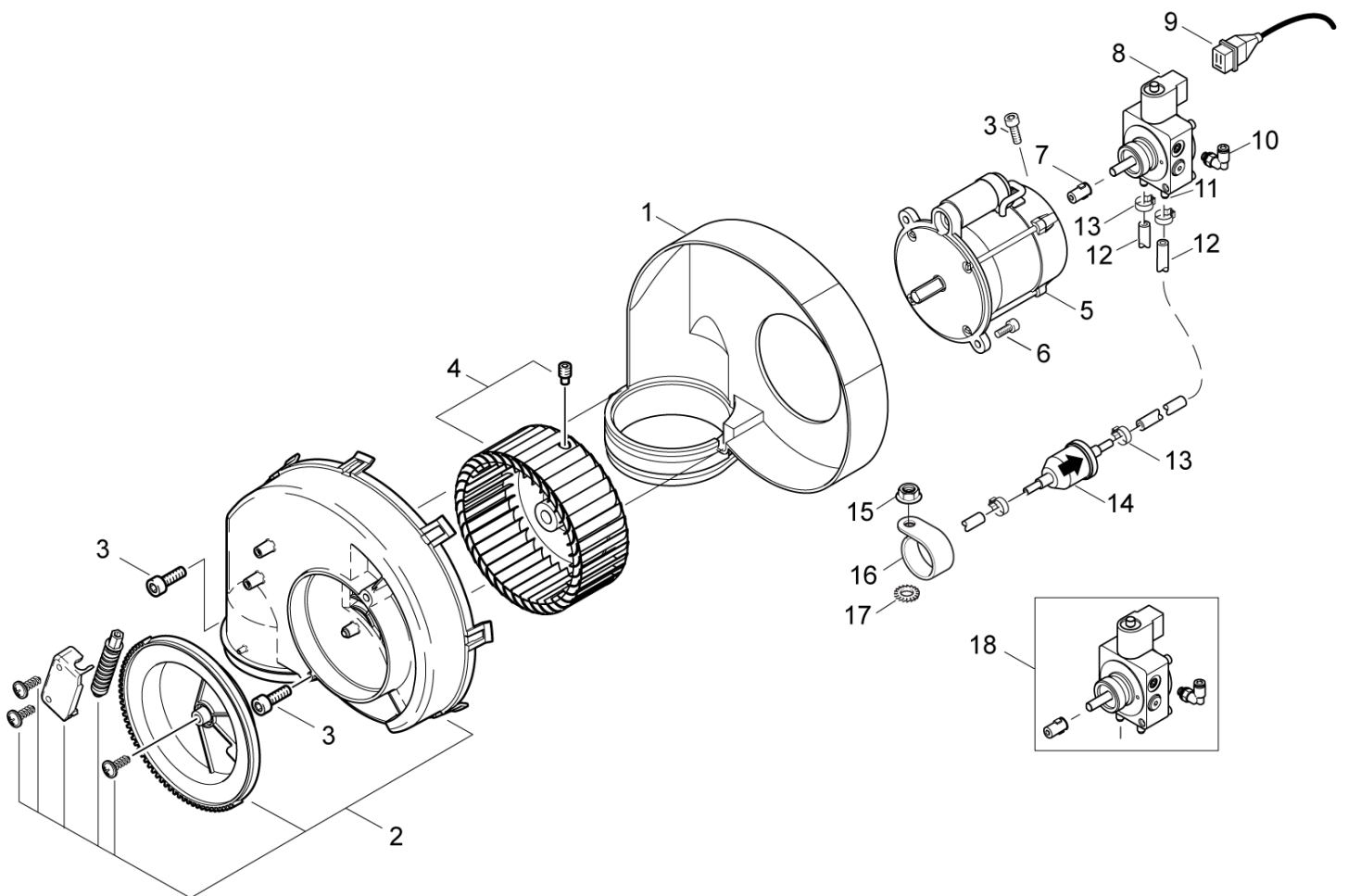
Burner unit - From 2012

NEPTUNE 5 FA

11-10-2012

StyMiste ID
NEP5FA26

30



Burner unit - From 2012

NEPTUNE 5 FA

11-10-2012

StyMiste ID
NEP5F-A26

31

Pos	Vare nr.	Ant	Beskrivelse
1	101117704	1	FAN HOUSING N2
2	301000852	1	Dælsel For Kedelblæserhus
3	32535	3	SCREW M5X16
4	301000889	1	Kedelblæsehjul
5	101117708	1	BURNER MOTOR 250W - 110V
5	101117709	1	BURNER MOTOR 390W - 200V
5	101117710	1	Burner Motor 300W - 230V
6	4697	2	SCREW M6X16
7	101117707	1	Coupling For Oil Pump Bfa 01 L3L 01 L3L
8	3821089	1	Spole (Danfoss)
9	101117703	1	CABLE FOR OIL SOLONOIDE
10	101117706	1	Push-In Angle Fitting
11	101117777	1	HOSE CONNECTIONS FOR OIL PUMP BFA 01 L3
12	5226220	1	Gummislange Sort Pr.M.
13	11654	2	Slangeklemme
14	301002926	1	Filter
15	12496	1	Møtrik M6
16	101117705	1	HOLDER FOR FUEL FILTER
17	7062	1	SERRATED WASHER A 6.4 DIN 6797 ZN
18	101117673	1	Oilepumpe Incl. Fittings

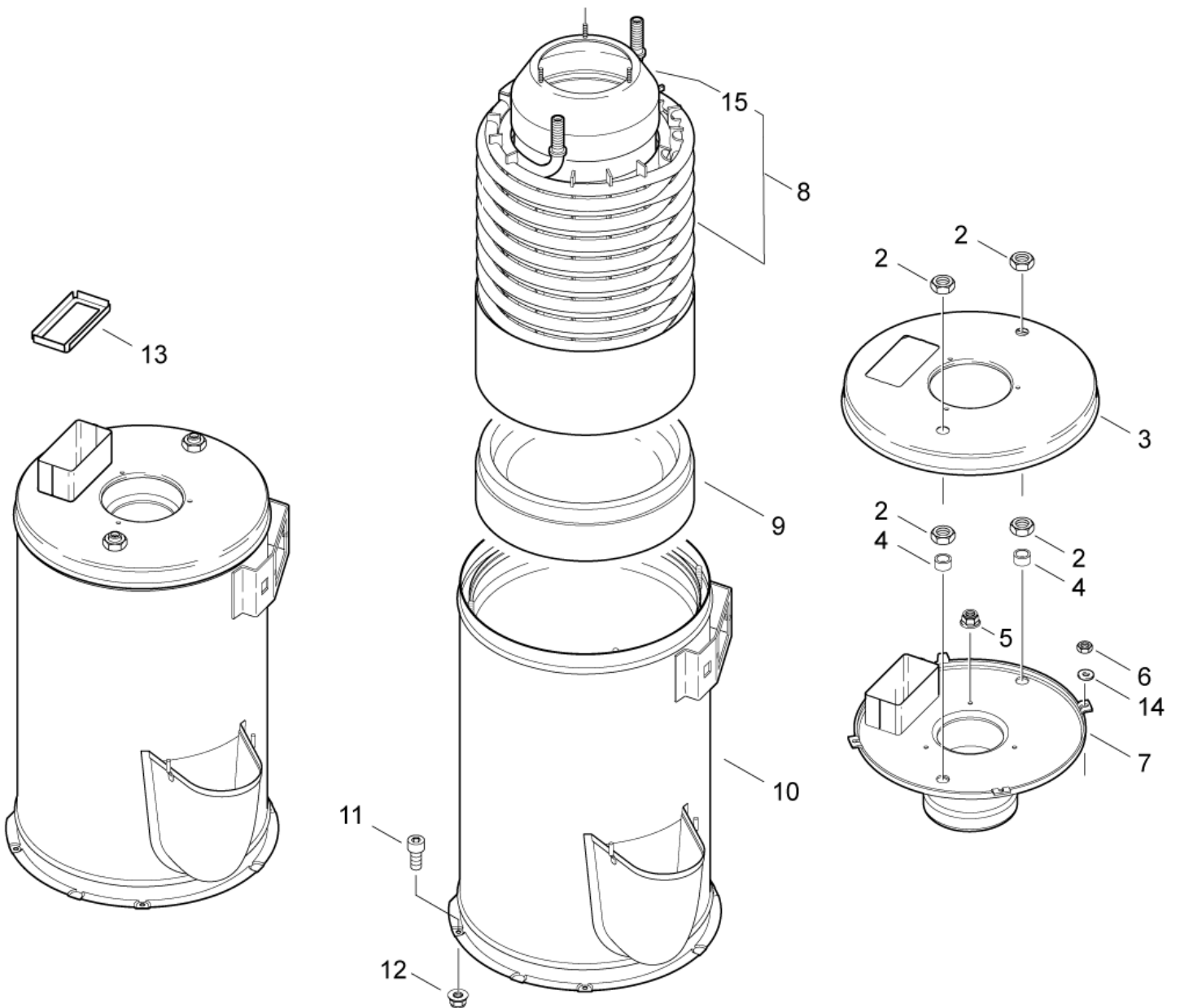
Heat exchanger

NEPTUNE 5 FA

11-10-2012

StyMiste ID
NEP5FA28

32



Heat exchanger

NEPTUNE 5 FA

11-10-2012

StyMiste ID

NEP5F-A23

33

Pos	Vare nr.	Ant	Beskrivelse
2	7012	4	Møtrik
3	301000534	1	Kedellæg Ydre
4	301000582	2	BUSHING Ø22X1.5X24
5	12496	3	Møtrik M6
6	12263	4	HEXAGON NUT M6
7	301001838	1	Brænderlæg, Inderste
8	301001098	1	Spiral NEPTUNE 5
8	301001341	1	COIL STAINLESS NEPTUNE
9	301000916	1	Isolation
10	301000968	1	BOILER JACKET COMPL. NE
11	3913	4	Skrue M6X12
12	12496	4	Møtrik M6
13	301001224	1	SHUTTER PLATE FOR CHIMNEY
14	2764	4	Washer 6,4X1,6
15	301000541	1	Flammerør NEPTUNE 5+7

Distributor, ignition transformer - From 2012

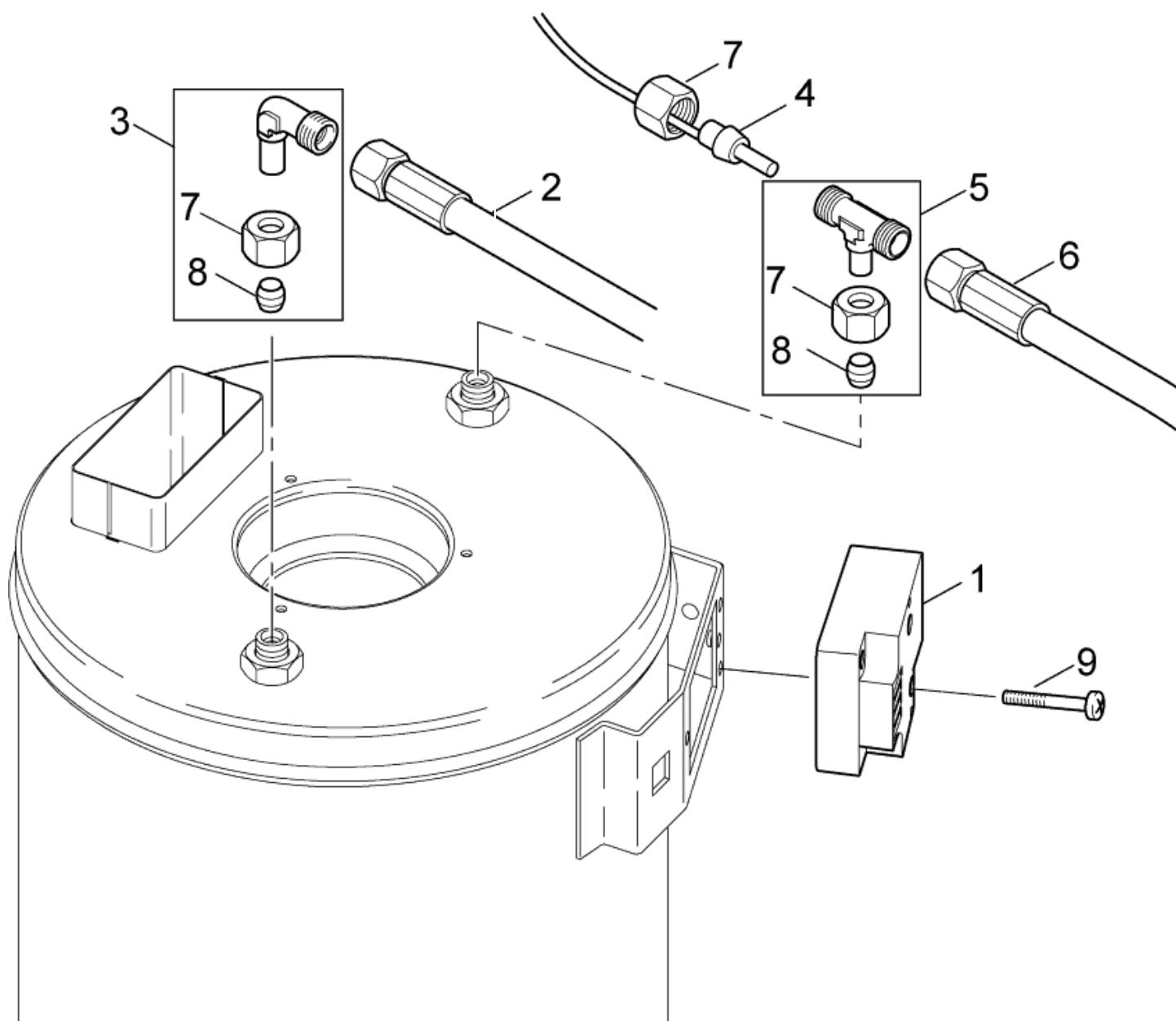
NEPTUNE 5 FA

11-10-2012

StyMiste ID

NEP5FA30

34



Distributor, ignition transformer - From 2012

NEPTUNE 5 FA

11-10-2012

StyMiste ID

NEP5F-A30

35

Pos	Vare nr.	Ant	Beskrivelse
1	101117759	1	Tændtransformer 220-240V
2	101117907	1	Hose Dn8X700
3	101118094	1	COUPLING KIT 90D ISO 8434 M18X1.5 THREAD
4	301000730	1	Temperaturløler
5	101118093	1	T-FITTING M18 X 1.5 THREAD
6	301000855	1	Ht Slange
7	1081	3	Tilslutningsmøtrik, Galv.
8	1080	2	Skærring, Galv.
9	42236	2	CYLINDER SCREW M5X45 ISO 1207 ZN

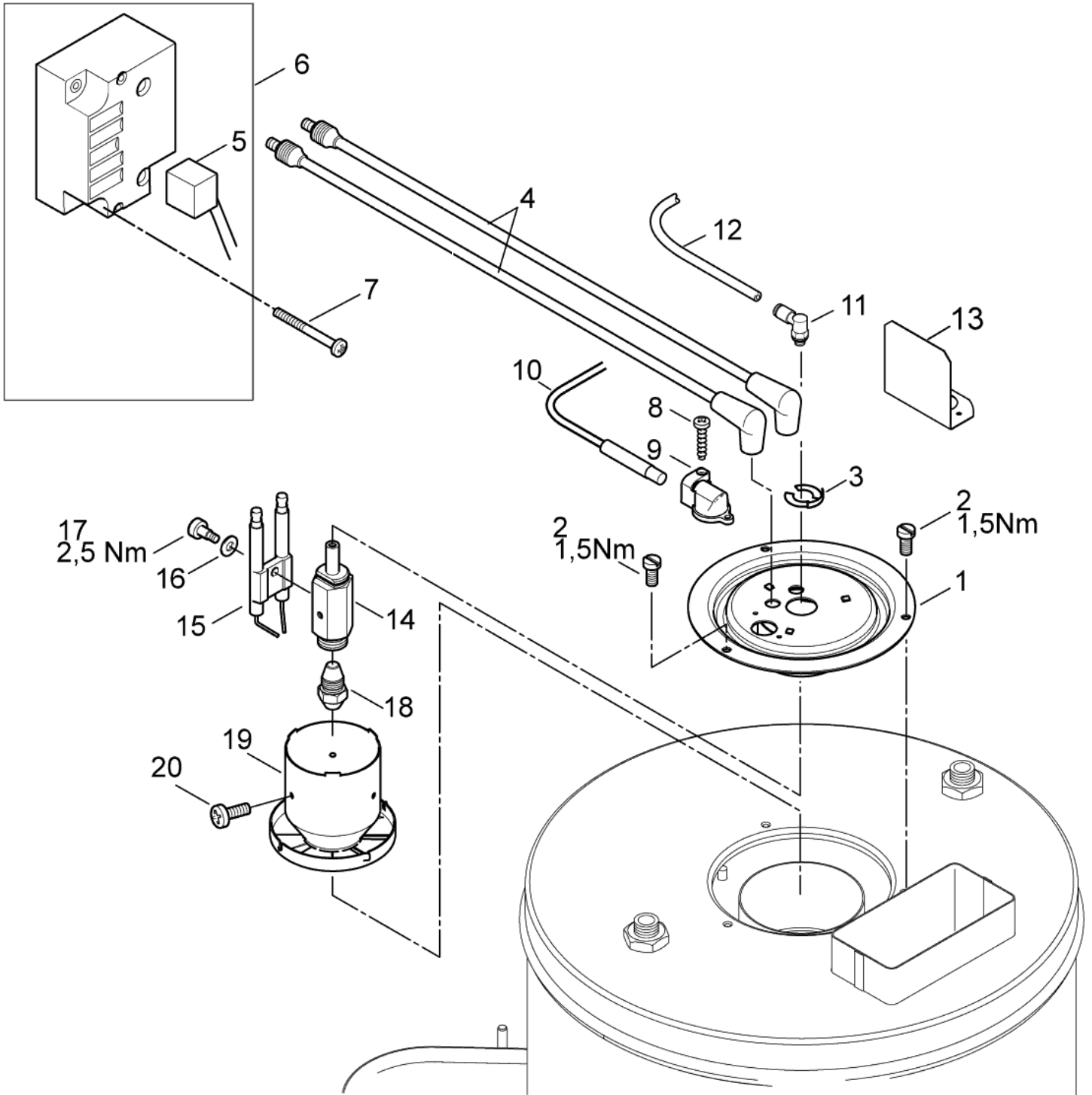
Air distributor

NEPTUNE 5 FA

11-10-2012

StyMiste ID
NEP5FA32

36



Air distributor

NEPTUNE 5 FA

11-10-2012

StyMiste ID

NEP5F-A3Z

37

Pos	Vare nr.	Ant	Beskrivelse
1	101117757	1	COVER FOR BOILER COMPLETE
2	4820	3	Skrue
3	101117876	1	Circlips
4	101117760	1	Ignition Cord 7X500 - Da Nfoss NFOSS
5	101117756	1	Tændkabel
6	101117660	1	Ignition Transformer W/Pr Imary Cord imary cord
6	301002083	1	Ignition Transformer 110- 120 50-60 120 50-60 (cable not included)
7	42236	2	CYLINDER SCREW M5X45 ISO 1207 ZN
8	5606	1	Metal Skrue
9	301000934	1	Holder Flammeføler
10	301000729	1	Flammeføler
11	101117913	1	Elbow 4/M5 Push-In
12	909100141	1	Slange
13	101117922	1	Plate For Flame Sensor Ki T
14	101117915	1	Oil Nozzle Holder
15	301150009	1	Tændelegtrode
16	909100144	1	Fjederskive
17	909100143	1	Skrue
18	301000886	1	Oliedyse 5-50, 5-61
18	301001068	1	Oliedyse 5-47, SB
19	301001834	1	Air Distributor Ø94X59,2
20	51848	3	Skrue

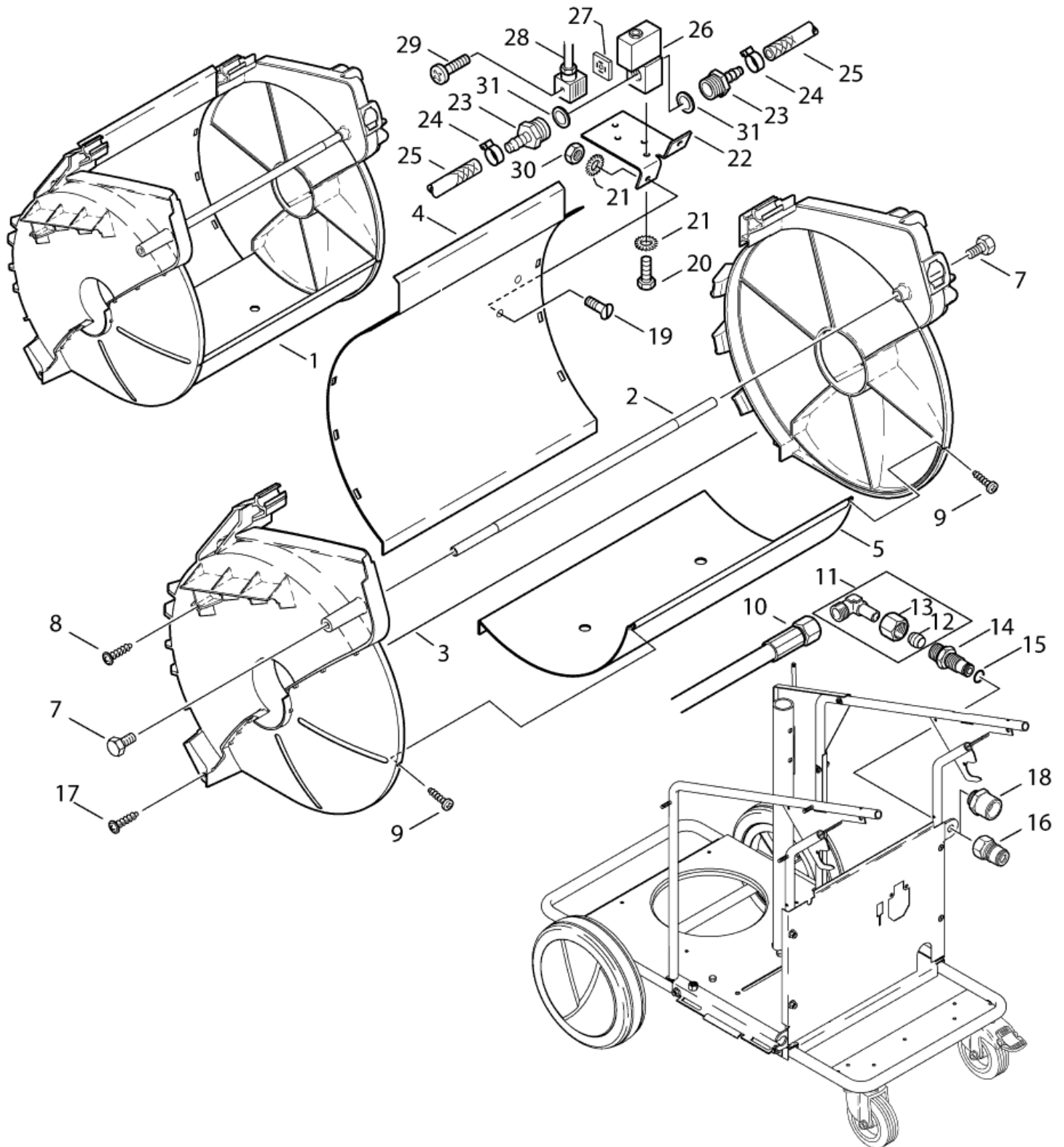
Basket for hose reel, NEPTUNE 5 + 7

NEPTUNE 5 FA

11-10-2012

StyMiste ID
NEPTUNE21

38



Basket for hose reel, NEPTUNE 5 + 7

NEPTUNE 5 FA

11-10-2012

StyMiste ID
NEPTUNE21

39

Pos	Vare nr.	Ant	Beskrivelse	
1	301000708	1	BASKET	
2	301000668	1	GUIDE BAR Ø12X451	
3	301001359	1	Hose Reel Cabinet Left	
4	301000602	1	SHEET METAL 390X262X142	
5	301000601	1	SHEET METAL 390X261X142	
7	6557	2	Skrue, M8X16	
8	11565	2	Skrue Pt5X18	
9	18086	1	Metal Skrue	
10	301000855	1	Ht Slange	N5+7-25
10	301000856	1	Ht Slange	N7, NOT 7-25
11	101118094	1	COUPLING KIT 90D ISO 8434 M18X1.5 THREAD	
12	1080	1	Skæring, Galv.	
13	1081	1	Tilslutningsmøtrik, Galv.	
14	301000627	1	Fitting	
15	42768	1	O-Ring	
16	1600493	1	"Lynkoblingsnippel 3/8"" "	
17	43341	2	SCREW 5X30	
18-		1	NOTE COMMENT	Only SB models

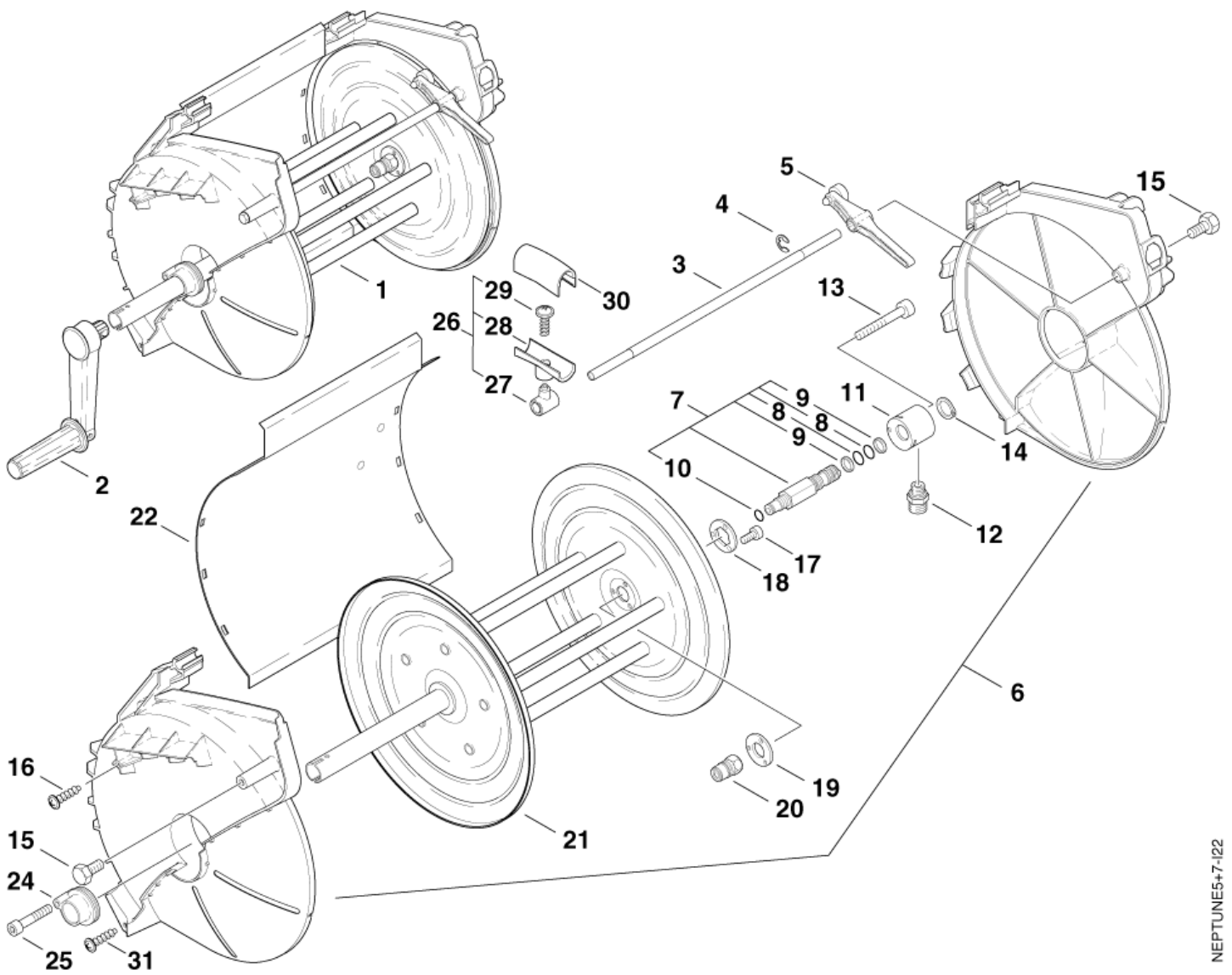
Hose reel x-models

NEPTUNE 5 FA

11-10-2012

StyMiste ID
NEPTUNE22

40



Hose reel x-models

NEPTUNE 5 FA

11-10-2012

StyMiste ID
NEPTUNEZZ

41

Pos	Vare nr.	Ant	Beskrivelse
1	301000851	1	Slangerulle
2	301000733	1	Drejehåndtag
3	301000668	1	GUIDE BAR Ø12X451
4	1814466	1	SAFETY WASHER D9
5	301000746	1	Bremse
6	301001359	1	Hose Reel Cabinet Left
7	301001096	1	Tryk gennemføring
8	19620	2	O-Ring
9	63792	2	Back-Up Ring
10	42768	1	O-Ring
11	301000624	1	Hus For Tryk gennemføring
12	54590	1	Forskruning
13	5100	1	Screw M6X45
14	32524	1	Skringsring
15	6557	2	Skrue, M8X16
16	11565	2	Skrue Pt5X18
17	3913	3	Skrue M6X12
18	301000653	1	Skive
19	301000850	1	Washer Ø2
20	1600493	1	"Lynkoblingsnippel 3/8" "
21	301000698	1	Slangerulle 50M
22	301000602	1	SHEET METAL 390X262X142
24	301000849	1	Leje
25	5945	1	Skrue
26	301000780	1	Slangeføring Formonteret
27	301000672	1	HOSE GUIDE SLEEVE 33.2X2
28	301000676	1	Slangeføring Underdel
29	10028	1	Skrue
30	301000674	1	Slangeføring Overdel
31	43341	2	SCREW 5X30

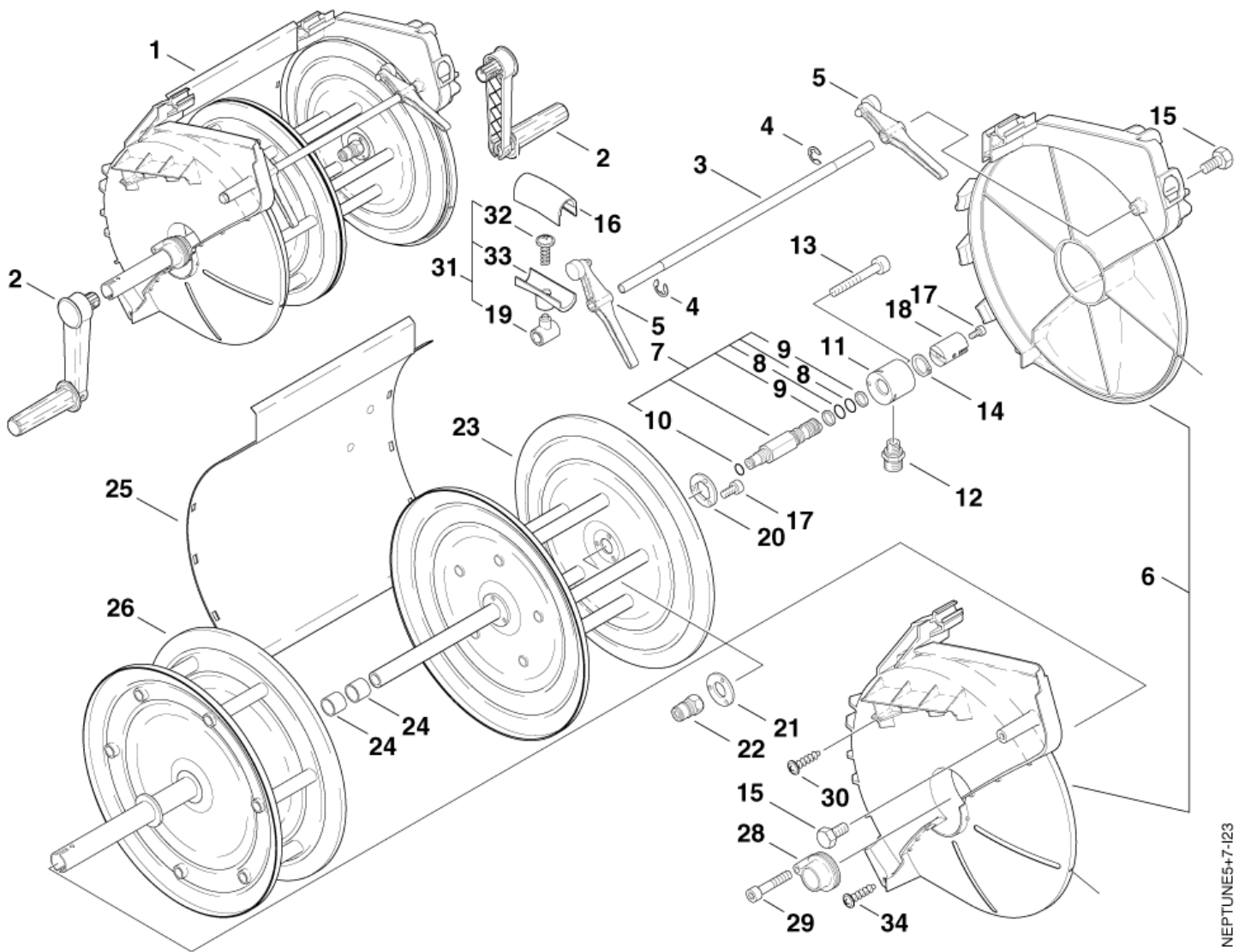
Hose reel - cord reel x2-models

NEPTUNE 5 FA

11-10-2012

StyMiste ID
NEPTUNE23

42



NEPTUNE5+7-123

Hose reel - cord reel x2-models

NEPTUNE 5 FA

11-10-2012

StyMiste ID
NEPTUNEZ3

43

Pos	Vare nr.	Ant	Beskrivelse
1	301001130	1	Slange+Kabel F.Slanger.
2	301000733	2	Drejehåndtag
3	301000668	1	GUIDE BAR Ø12X451
4	1814466	2	SAFETY WASHER D9
5	301000746	2	Bremse
6	301001359	1	Hose Reel Cabinet Left
7	301001096	1	Tryk gennemføring
8	19620	2	O-Ring
9	63792	2	Back-Up Ring
10	42768	1	O-Ring
11	301000624	1	Hus For Tryk gennemføring
12	54590	1	Forskruning
13	5100	1	Screw M6X45
14	32524	1	Sikringsring
15	6557	2	Skrue, M8X16
16	301000674	1	Slangeføring Overdel
17	3913	4	Skrue M6X12
18	301000625	1	Adapter
19	301000672	1	HOSE GUIDE SLEEVE 33.2X2
20	301000653	1	Skive
21	301000850	1	Washer Ø2
22	1600493	1	"Lynkoblingsnippel 3/8" "
23	301000662	1	HOSE REEL 30M
24	301001179	2	BEARING BUSHING 22X 24X2
25	301000602	1	SHEET METAL 390X262X142
26	301000654	1	Kabeltrommel
28	301000849	1	Leje
29	5945	1	Skrue
30	11565	2	Skrue Pt5X18
31	301000780	1	Slangeføring Formonteret
32	10028	1	Skrue
33	301000676	1	Slangeføring Underdel
34	43341	2	SCREW 5X30

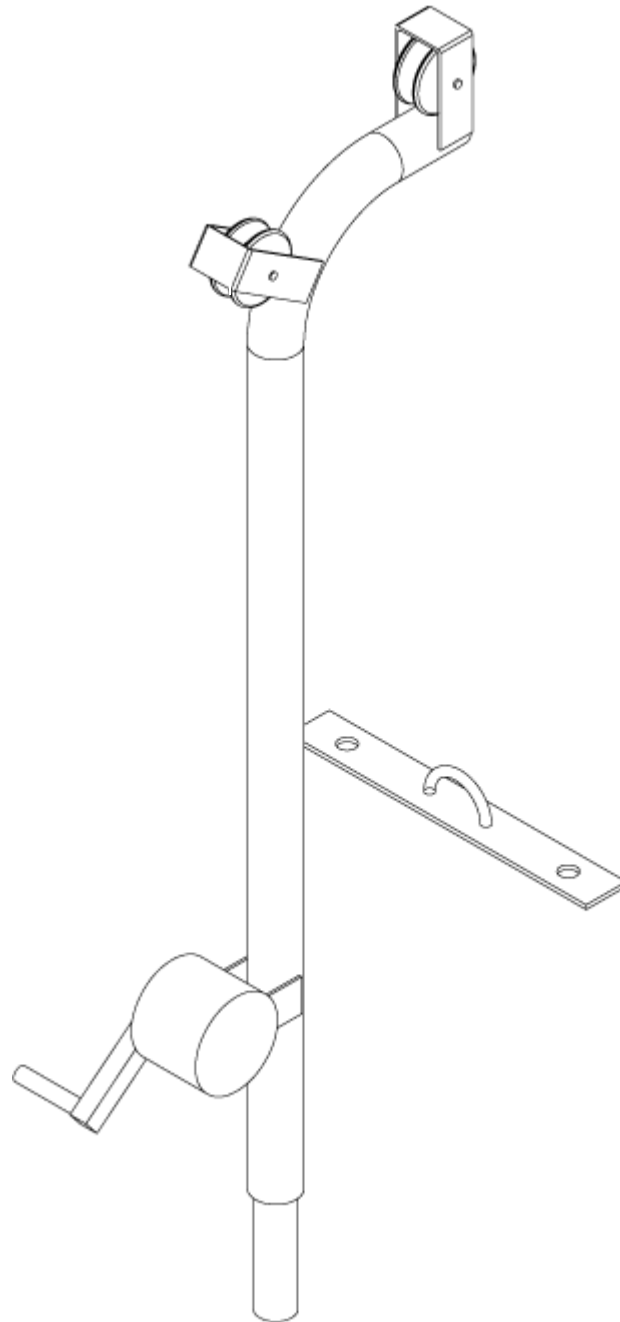
Service crane

NEPTUNE 5 FA

11-10-2012

StyMiste ID
NEPTUNE24

44



NEPTUNE5+7-124

Service crane

NEPTUNE 5 FA

11-10-2012

StyMiste ID
NEPTUNE24

45

Pos	Vare nr.	Ant	Beskrivelse
-----	----------	-----	-------------

-	301001078	1	Service Crane
---	-----------	---	---------------

Default accessories

NEPTUNE 5 FA

11-10-2012

StyMiste ID

NEP5FA34

46

Ingen tegning

Default accessories

NEPTUNE 5 FA

11-10-2012

StyMiste ID
NEP5FA34

47

Pos	Vare nr.	Ant	Beskrivelse
-	106403122	1	Spulehåndtag Ergo 2000
-	106403123	1	Spulehåndtag Ergo 2000 Incl. Vario Press INCL. VARIO PRESS
1	101405770	1	"Slange 2W. 10M. 5/16" "
1	1402072	1	Dampslange 20 M.
1	301001101	1	"Slange 2W. 20M. 5/16" " X-tra
1	6101766	1	Dampslange 10 M.
2	101119740	1	"Tornado+ 0450 1/8" "
2	101119743	1	"Tornado+ 0550 1/8" "
2	101119744	1	"Tornado+ 0600 1/8" "
2	106403011	1	Tornado Plus, Uden Dyse LænGD: 100 Cm LÆNGDE: 100 CM
2	106403035	1	Universal Plus, Bøjet Uden Dyse. LænGD: UDEN DYSE. LÆNGDE: 109 CM
3	301002411	1	Spulehåndtag Ergo 1000 Variopress Up to 2010

ANBEFALEDE RESERVEDELE

NEPTUNE 5 FA

11-10-2012

StyMiste ID
NEP5FA36

48

Ingen tegning

ANBEFALEDE RESERVEDELE

NEPTUNE 5 FA

11-10-2012

StyMiste ID NEP5F-A36

49

Pos	Vare nr.	Ant	Beskrivelse	
A	101117707	1	Coupling For Oil Pump Bfa 01 L3L 01 L3L	A
A	101117708	1	BURNER MOTOR 250W - 110V	A
A	101117709	1	BURNER MOTOR 390W - 200V	A
A	101117710	1	Burner Motor 300W - 230V	A
A	101118097	1	WATER SEAL KIT W. NEW SUPPORT RING - NA5	A
A	103821729	1	Fuse Ø5X20 2A T, 250V	A
A	107140920	1	CYLINDER HEAD W. CANAL NA5 SPARE	A
A	107144100	1	Ventil Kit Na5	A
A	107144102	1	Oliemanchet Kit - Na5	A
A	107144103	1	Stempel Kit - Na5	A
A	107144104	1	Fjeder Kit - Na5	A
A	107144113	1	D-Leje Dæksel	A
A	107144114	1	Skråskive-Sæt 12 Na5	A
A	107144124	1	FAN W/LOCK RING - EME	A
A	107144125	1	FAN W LOCK RING RF	A
A	107144128	1	Motor 6.7 Kw 220-400/440/ 3 50/60Hz - Eu 3 50/60Hz - EU	
A	107144129	1	Motor 5,5 Kw	A
A	107144140	1	Cylinderblok M O-Ring	A
A	107144141	1	Screw Kit Cylinder Head N A5Sparepart A5SPAREPART	↓
A	107144142	1	Screw Kit Pump Na5	A
A	107144146	1	Pump Oil Na5 1 Liter B	A
A	1118512	1	Rep.Sæt, Sikkerhedsventil	A
A	1118546	1	Rep.Sæt F. Omløbsventil	A
A	1119317	1	Rep.Sæt Udluftningsventil	A
A	1119318	1	Rep.Sæt F. Kontraventil	A
A	1119566	1	Rep.Sæt Kontraventil	A
A	1600493	1	"Lynkoblingsnippel 3/8" "	A
A	1814614	1	Skrue K50X18 Wn1451 A2	A
A	19639	1	Fjede A	A
A	24499	1	Sikring	A
A	3000296	1	O-Ring 7,1X1,6 Nitril	A
A	3000825	1	O-Ring 20,24X2,62 Nitril	A
A	3001112	1	O-Ring 10X3	A
A	3001377	1	Selv tættende Skive	A
A	301000615	1	Dæksel	A
A	301000624	1	Hus For Trykgennemføring	A
A	301000636	1	Aksle	A
A	301000680	1	Hoved Print	A
A	301000729	1	Flammeføler	A
A	301000730	1	Temperaturføler	A
A	301000916	1	Isolation	A
A	301000970	1	Pakningssæt	A

A-Parts. Wearing parts. Number of machines x1,2

B-Parts. Wearing parts. Number of machines x0,6

C-Parts: Wearing parts. Number of machines x0,4

ANBEFALEDE RESERVEDELE

NEPTUNE 5 FA

11-10-2012

StyMiste ID NEP5F-A36

50

Pos	Vare nr.	Ant	Beskrivelse	
A	301001000	1	Doserventil	A
A	301001078	1	Service Crane	A
A	301001096	1	Trykgenneføring	A
A	301002926	1	Filter	A
A	301150009	1	Tændelegtrode	A
A	31000148	1	Rear Bearing Cover Rf	A
A	31000149	1	Leje, Rf	A
A	31000150	1	REAR BEARING COVER EME	A
A	31000151	1	REAR BEARING EME	A
A	34218	1	Filter For Float Valve Ku	A
A	3812385	1	Sikring Ø5X20	A
A	49473	1	Manometer 0-250 Bar	A
A	6008041	1	Ventilgreb Komp.	A
A	6101038	1	Stempel	A
A	6200561	1	VandmæGDeregulering Komp	A
A	6201534	1	Sæde	A
A	6201535	1	Sæde F. Kontraventil	A
A	62877	1	Svømmer	A
A	63347	1	Svømme Ventil	A
A	6350454	1	Stempel	A
A	909100173	1	O-Ring	A
A	9868	1	O-Ring 10.0X2.5	A
B	101117703	1	CABLE FOR OIL SOLONOIDE	B
B	101117760	1	Ignition Cord 7X500 - Da Nfoss NFOSS	B
B	103822306	1	Contactora Cjx2-D18-B7 24V	B
B	103822313	1	Contactora 12-25A 50/60Hz 24V 24V	B
B	103822317	1	Contactora Cjx2-D32-B7 24V	B
B	107318091	1	VIBRATION DAMPER M8	B
B	28877	1	Switch	B
B	301000614	1	Kemibeholder	B
B	301000644	1	Brændstof måler	B
B	301000733	1	Drejehåndtag	B
B	301001196	1	Float Switch	B
B	5226220	1	Gummislange Sort Pr.M.	B
B	6100928	1	Kontramøtrik	B
B	6150642	1	Bundskruer F. Omløbsventil	B
B	6150680	1	Kontramøtrik	B
B	6221529	1	Dæksel F. Ventilhus	B
B	62878	1	Gummimembran	B
C	10028	1	Skrue	C
C	101117706	1	Push-In Angle Fitting	C
C	101117756	1	Tændkabel	C

A-Parts. Wearing parts. Number of machines x1,2

B-Parts. Wearing parts. Number of machines x0,6

C-Parts: Wearing parts. Number of machines x0,4

ANBEFALEDE RESERVEDELE

NEPTUNE 5 FA

11-10-2012

StyMiste ID NEP5F-A36

51

Pos	Vare nr.	Ant	Beskrivelse	
C	101117759	1	Tændtransf ormer 220-240V	C
C	101117777	1	HOSE CONNECTIONS FOR OIL PUMP BFA 01 L3	C
C	101117826	1	Blødgøringspumpe	C
C	101117828	1	Antiscale Pump St-15 140M L 24V L 24V	C
C	101117831	1	Monterings-Sæt	C
C	101117833	1	Slange Ø3/05, 0.6 Mm.	C
C	101118094	1	COUPLING KIT 90D ISO 8434 M18X1.5 THREAD	C
C	101406100	1	Kemislange, 5 Meter	C
C	103822214	1	STARTER RELAY HOTWATER RVAH4AH3D	C
C	1080	1	Skæring, Galv .	C
C	1081	1	Tilslutningsmøtrik, Galv .	C
C	11060	1	Startrelæ	C
C	12496	1	Møtrik M6	C
C	17106	1	INSET	C
C	26817	1	Relæ	C
C	301000402	1	Modstand	C
C	301000403	1	Startkondensator 98µf	C
C	301000541	1	Flammerør NEPTUNE 5+7	C
C	301000554	1	Drejehjul	C
C	301000561	1	Dæksel	C
C	301000582	1	BUSHING Ø22X1.5X24	C
C	301000678	1	Display	C
C	301000681	1	Transformator	C
C	301000781	1	Elkasse	C
C	301000782	1	Dæksel	C
C	301000855	1	Ht Slange	C
C	301000889	1	Kedelblæsehjul	C
C	301000934	1	Holder Flammeføler	C
C	301001059	1	Transformer	C
C	301001060	1	TRANSFORMER 115AT 200V 2	C
C	301001098	1	Spiral NEPTUNE 5	C
C	301001292	1	Filter-Cup Ø98,8	C
C	301001991	1	CIRCUIT BOARD 1PH 24VAC	C
C	301002083	1	Ignition Transformer 110- 120 50-60 120 50-60	C
C	301002123	1	Microprocessor	C
C	301002353	1	Current Limiter 5W	C
C	46363	1	Låsering	C
C	4697	1	SCREW M6X16	C
C	6100940	1	Justerskrue	C
C	6184074	1	Kørehjul	C
C	7012	1	Møtrik	C
C	909100143	1	Skrue	C

A-Parts. Wearing parts. Number of machines x1,2

B-Parts. Wearing parts. Number of machines x0,6

C-Parts: Wearing parts. Number of machines x0,4

ANBEFALEDE RESERVEDELE

NEPTUNE 5 FA

11-10-2012

StyMiste ID
NEP5F-A36

52

Pos	Vare nr.	Ant	Beskrivelse	
C	909100206	1	Drejeknap	C
C	909100207	1	Drejeknap	C

A-Parts. Wearing parts. Number of machines x1,2
B-Parts. Wearing parts. Number of machines x0,6
C-Parts: Wearing parts. Number of machines x0,4