

NEPTUNE 7 FA/FAX

Model:
NEPTUNE 7-63 FA



Stykliste Dansk

26-02-2013

Nilfisk
ALTO
works for you

www.nilfisk-alto.com

Indholdsfortegnelse

NEPTUNE 7 FA/FAX

Cabinet	3
RAMME	5
Fuel tank, detergent tank	7
Water break tank	9
Anti-scale pump	11
Motor NEPTUNE 7	13
Pump A NEPTUNE 7	16
Pump B NEPTUNE 7 FA	18
Electric box (motor)	20
Electric box	22
Electric box cables	25
Cover electric box	27
Flow control 7FA	29
Flow control (heating exchanger) 7FA	31
Burner unit	33
Heat exchanger	35
Distributor, ignition transformer 7FA	37
Air distributor Dec. 2010	39
Air distributor	41
Basket	43
Hose reel x-models, NEPTUNE 5, 7	45
Hose reel - cord reel x2-models, NEPTUNE 5, 7	47
Service crane	49
Default accessoires	51
Remote control - accessory	53
ANBEFALEDE RESERVEDELE	55

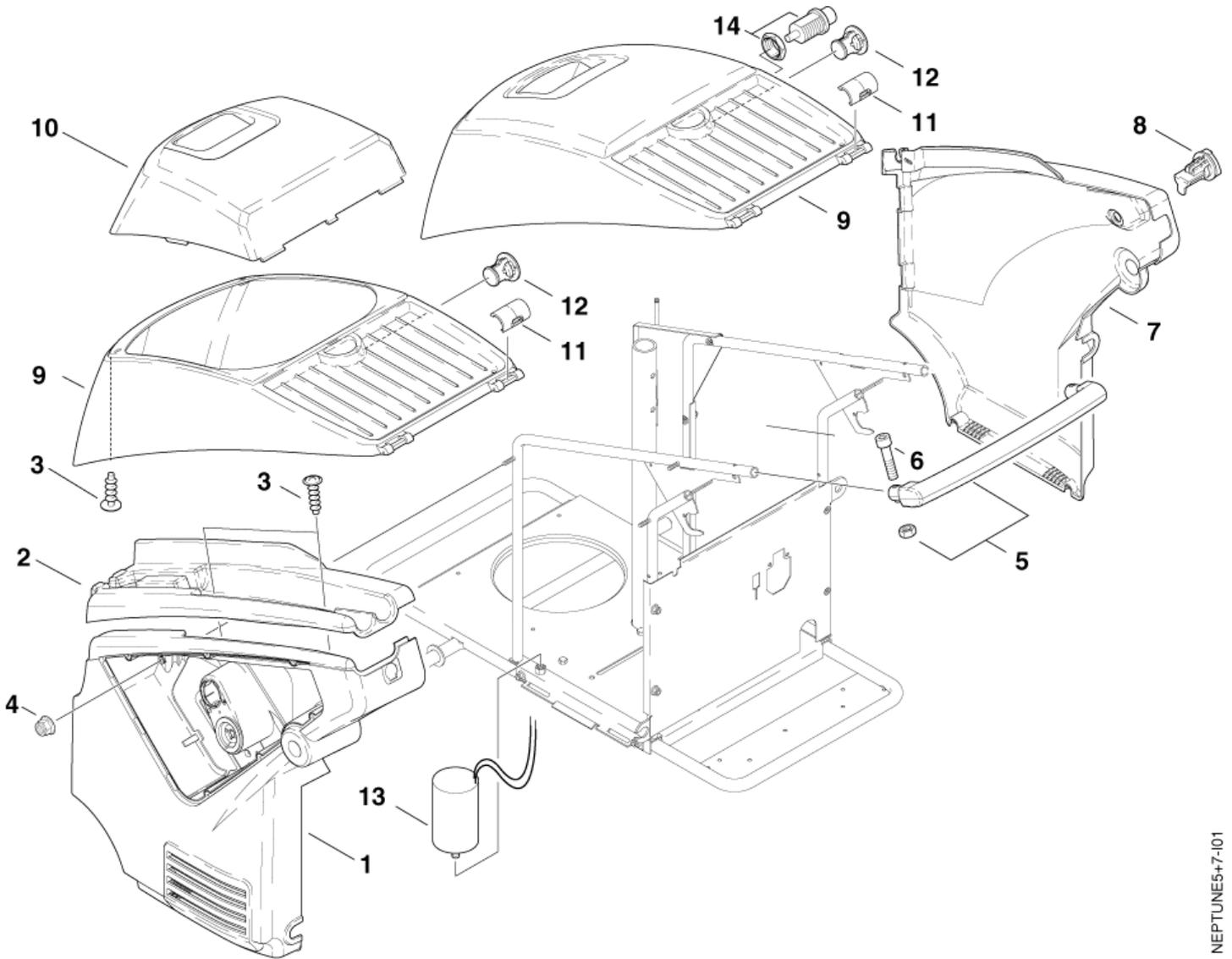
Cabinet

NEPTUNE 7 FA/FAX

26-02-2013

StyMiste ID
NEPTUNE25

3



Cabinet

NEPTUNE 7 FA/FAX

26-02-2013

StyMiste ID
NEPTUNE25

4

Pos	Vare nr.	Ant	Beskrivelse	
1	301000455	1	Sidekabinet - Venstre	
2	301000454	1	Lanse Holder	
3	1814614	4	Skrue K50X18 Wn1451 A2	
4	12496	3	Møtrik M6	
5	301000447	1	Håndtag	
6	5945	2	Skrue	
7	301000456	1	Sidekabinet - Højre	
8	301000585	1	Dørlås - Ø29X28	
9	301000452	1	Dæksel F. NEPTUNE 7	
9	301000896	1	SHROUD NEPTUNE 7 BLACK	7-25 outphased 2007
10	301000453	1	"Cover (Black) ""NEPTUNE 7""	
11	301000457	2	Clips For Topkabinet	
12	301000584	1	Lås For Topkabinet	
13	301000415	1	CAPACITOR 80MICRONFOR 420V	7-25, 7-58 (2x)

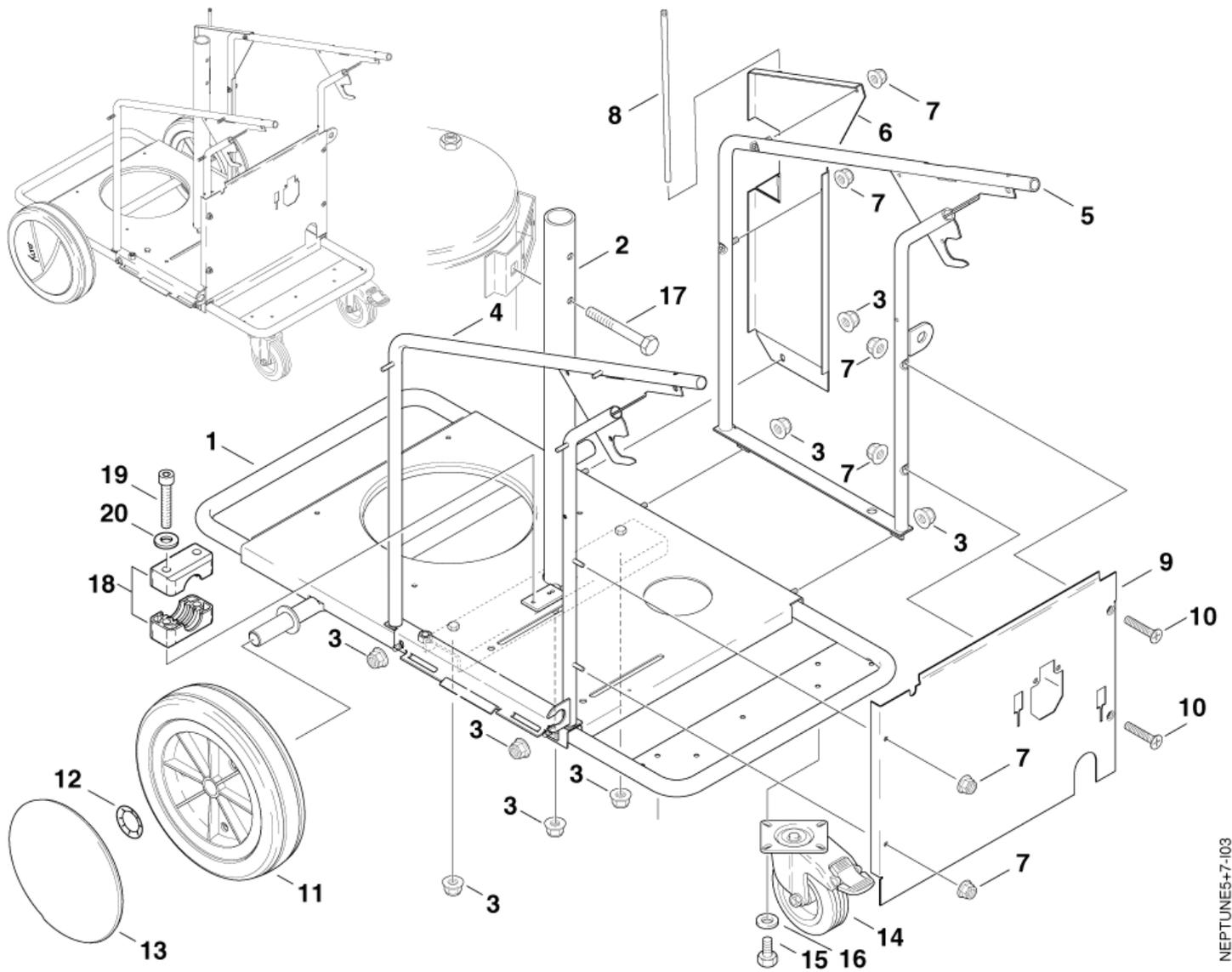
RAMME

NEPTUNE 7 FA/FAX

26-02-2013

StyMiste ID
NEPTUNE27

5



NEPTUNE5+7-103

RAMME

NEPTUNE 7 FA/FAX

26-02-2013

StyMiste ID
NEPTUNEZ7

6

Pos	Vare nr.	Ant	Beskrivelse
1	301000510	1	Base Frame
2	301000525	1	CENTRAL TUBE
3	61467	8	Møtrik M8
4	301000518	1	TUBE FRAME LEFT
4	301000557	1	TUBE FRAME - LEFT 800X650X67.5 ST 7-58, 7-63*JP*, 7-66*US*
5	301000519	1	Sideramme - Højre
6	301000521	1	HINGE PLATE
7	12496	6	Møtrik M6
8	301000706	1	BOLT D8X310
9	301000523	1	REAR WALL 487X364.7X20
10	8947	2	COUNTERSUNK SCREW
11	6184074	2	Kørehjul
12	46363	2	Låsering
13	301001077	2	Hjulcappe
14	301000554	2	Drejehjul
15	5370	8	SCREW M8X10
16	2762	8	Skive
17	3453	1	SCREW M8X60
18	909100368	1	CLAMP D25 7-66
19	9570	2	Bolt 7-66
20	2764	2	Washer 6,4X1,6 7-66

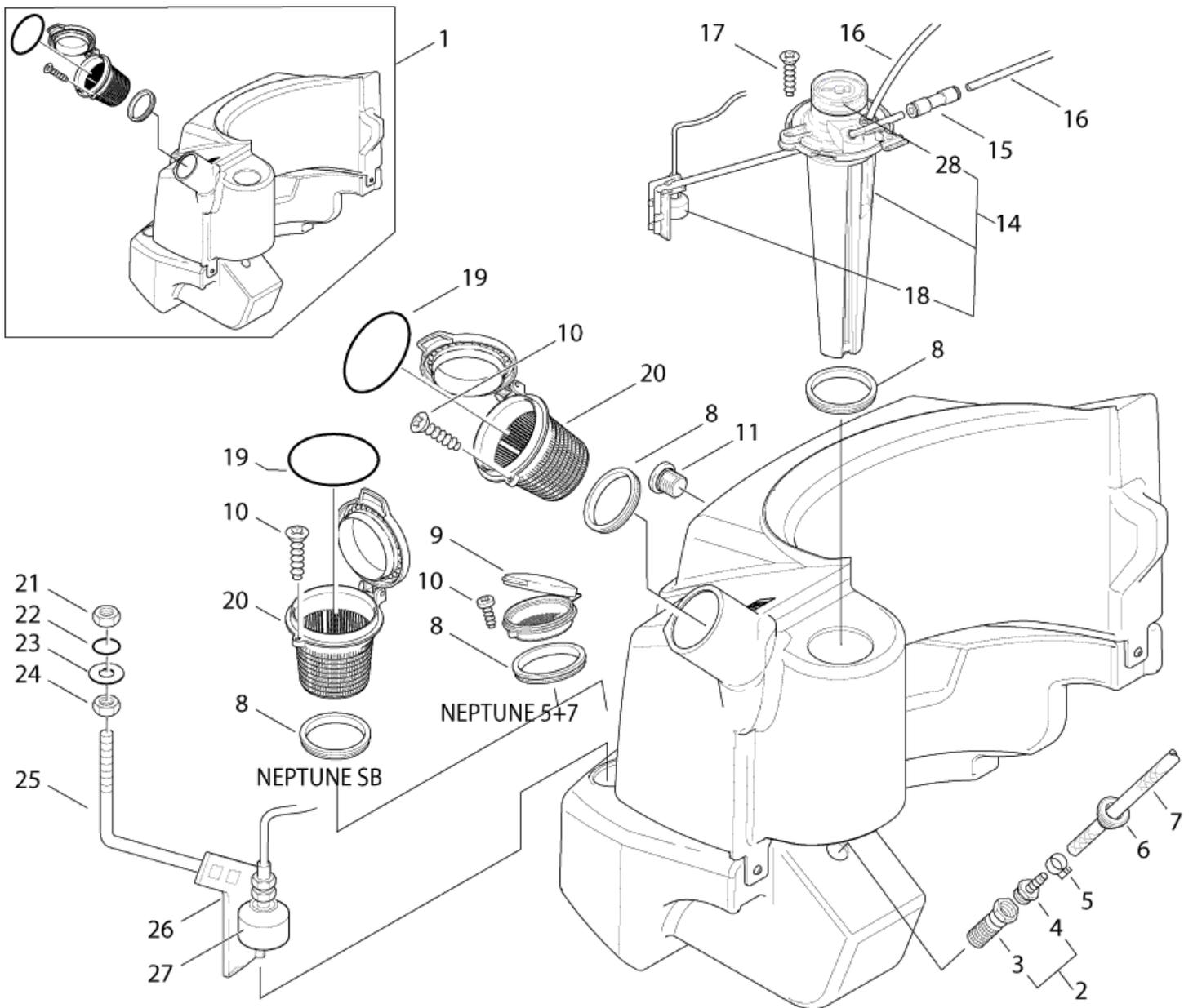
Fuel tank, detergent tank

NEPTUNE 7 FA/FAX

26-02-2013

StyMiste ID
NEPTUNE7FA06

7



Fuel tank, detergent tank

NEPTUNE 7 FA/FAX

26-02-2013

StyMiste ID
NEPTUNE 7 FA/FAX

8

Pos	Vare nr.	Ant	Beskrivelse	
1	301000458	1	Tank Brændstof /Kemi	
2	107145440	1	Strainer Valve Compl. Kit	
3	3205	1	Filterventil	
4	5283	1	HOSE NOZZLE 6R3/8	
5	11654	1	Slangeklemme	
6	301000618	1	Pakning Ø32X20, 1	
7	101406100	1	Kemislange, 5 Meter	PLEASE INDICATE LENGTHS IN METRES WHEN ORDERING
8	301000620	2	Pakning Ø79,6Xø66X10	TSB-PPW-2013-001 301000620, 301001276
9	301000561	1	Dæksel	
10	18086	2	Metal Skrue	
11	6180906	1	Prop M. O-Ring	
14	301000644	1	Brændstof måler	
15	61442	1	Forbindelsessty k	
16	17710	1	Rør	PLEASE INDICATE LENGTHS IN METRES WHEN ORDERING
17	5606	1	Metal Skrue	
18	301001196	1	Float Switch	
19	909100173	1	O-Ring	
20	301001292	1	Filter-Cup Ø98,8	
28	301000634	1	Dæksel	

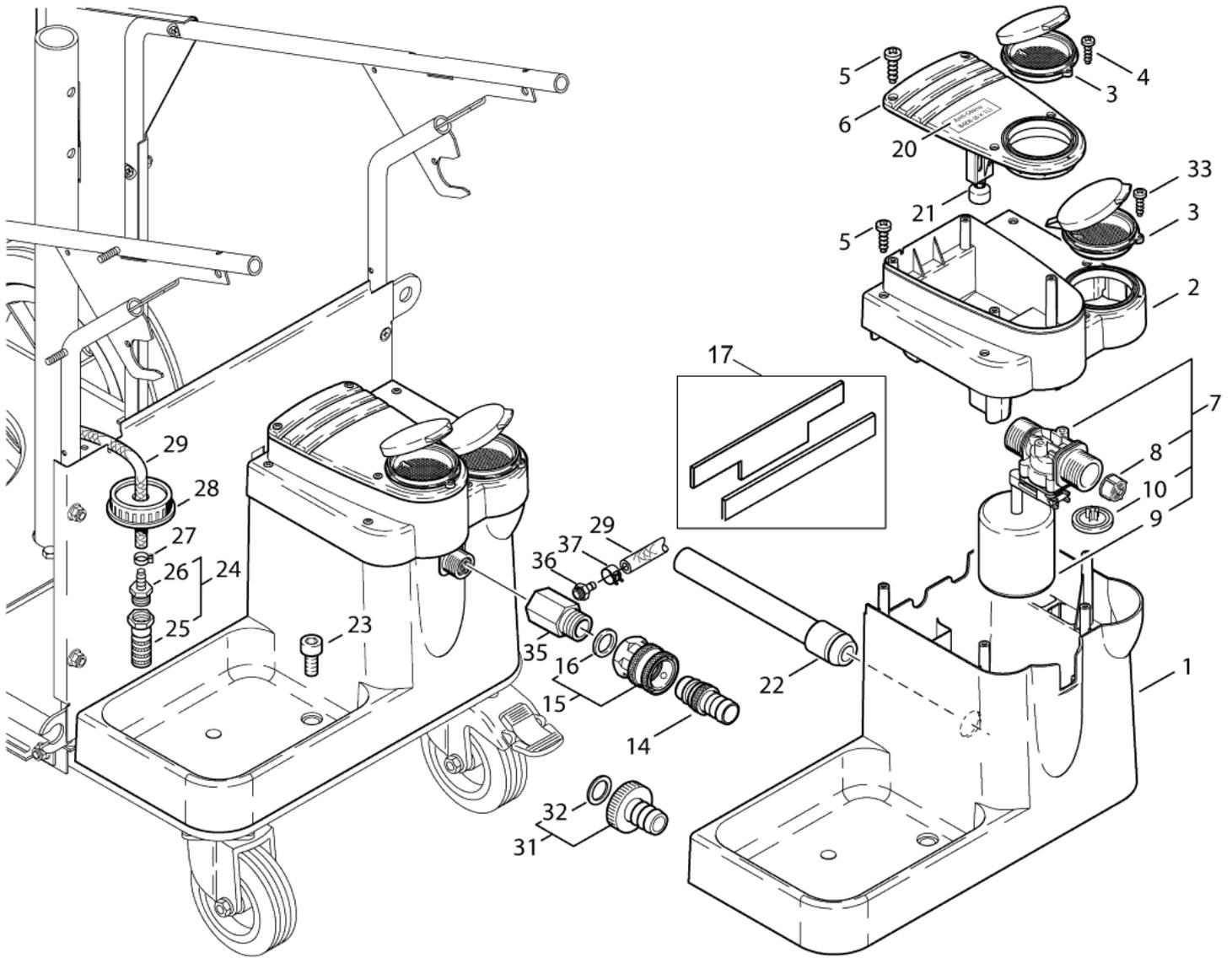
Water break tank

NEPTUNE 7 FA/FAX

26-02-2013

StyMiste ID
NEPTUNE281

9



Water break tank

NEPTUNE 7 FA/FAX

26-02-2013

StyMiste ID
NEPTUNE281

10

Pos	Vare nr.	Ant	Beskrivelse	
1	301000563	1	Vand Tank	
2	301000562	1	Anti Kalk Tank	
3	301000561	2	Dæksel	
4	5606	1	Metal Skrue	
5	56727	9	Ejop-Skrue	
6	301000560	1	Låg Anti Kalk Tank	
7	63347	1	Svømme Ventil	
8	34218	1	Filter For Float Valve Ku	
9	62877	1	Svømmer	
10	62878	1	Gummimembran	
14	1600659	1	Lynkoblingsnippel	
14	1605872	1	QUICK COUPLING NIPPLE	
15	1602945	1	"Lynkobling 3/4" Lav tryk "	
16	3001237	1	Pakning Ø24,5Xø16X3	
17	101117872	1	Gasket Kit	
18	301001180	1	Prop For Anti Kalk Ventil	
19	301000915	1	Klæbeskilt	
20	301000932	1	Label	
21	301000695	1	Niveauføler	
22	301001416	1	Suge Slange	
23	8892	2	Skrue	
24	107145440	1	Strainer Valve Compl. Kit	
25	3205	1	Filterventil	
26	5283	1	HOSE NOZZLE 6R3/8	
27	11654	1	Slangeklemme	
28	301001004	1	Canister Cover	Empty container 10L part no. 80518
29	101406100	2	Kemislange, 5 Meter	1,5m
30	6250	1	Liste	
31	61369	1	Slangestuds Ø20X3/4 Cuzn	
32	46487	1	Packing Ring 21X29X2,5	
33	18086	1	Metal Skrue	
34	909100141	1	Slange	
35	101117805	1	Adapter Kit	
36	301001392	1	Slange Dyse Ø8/M10X1	
37	11654	1	Slangeklemme	

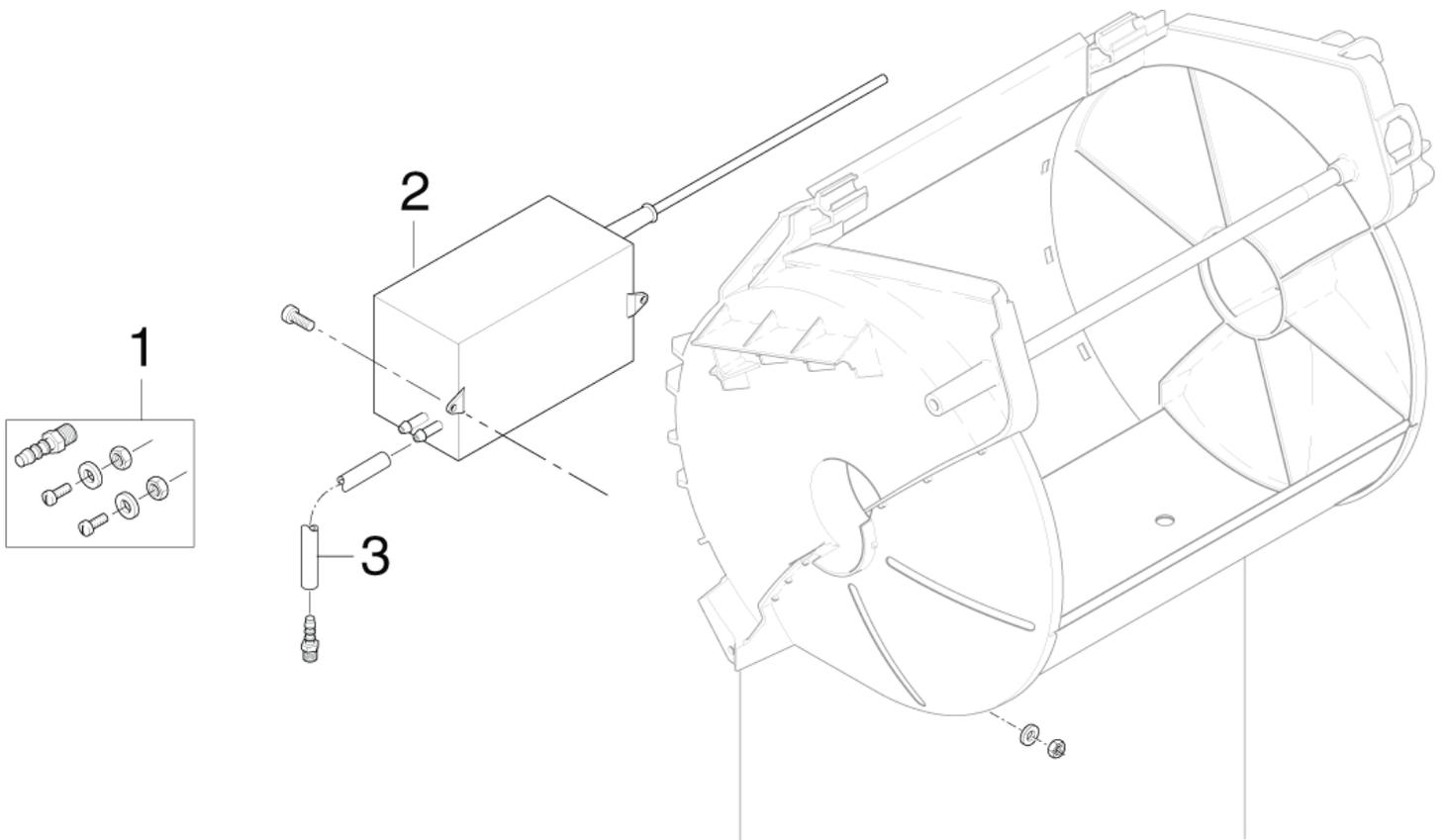
Anti-scale pump

NEPTUNE 7 FA/FAX

26-02-2013

StyMiste ID
NEPTUNE282

11



Anti-scale pump

NEPTUNE 7 FA/FAX

26-02-2013

Stykliste ID
NEPTUNE282

12

Pos	Vare nr.	Ant	Beskrivelse
1	101117831	1	Monterings-Sæt
2	101117826	1	Blødgøringspumpe NEPTUNE 5
2	101117828	1	Antiscale Pump St-15 140M L 24V NEPTUNE 7 + 8
3	101117833	1	Slange Ø3/05, 0.6 Mm.

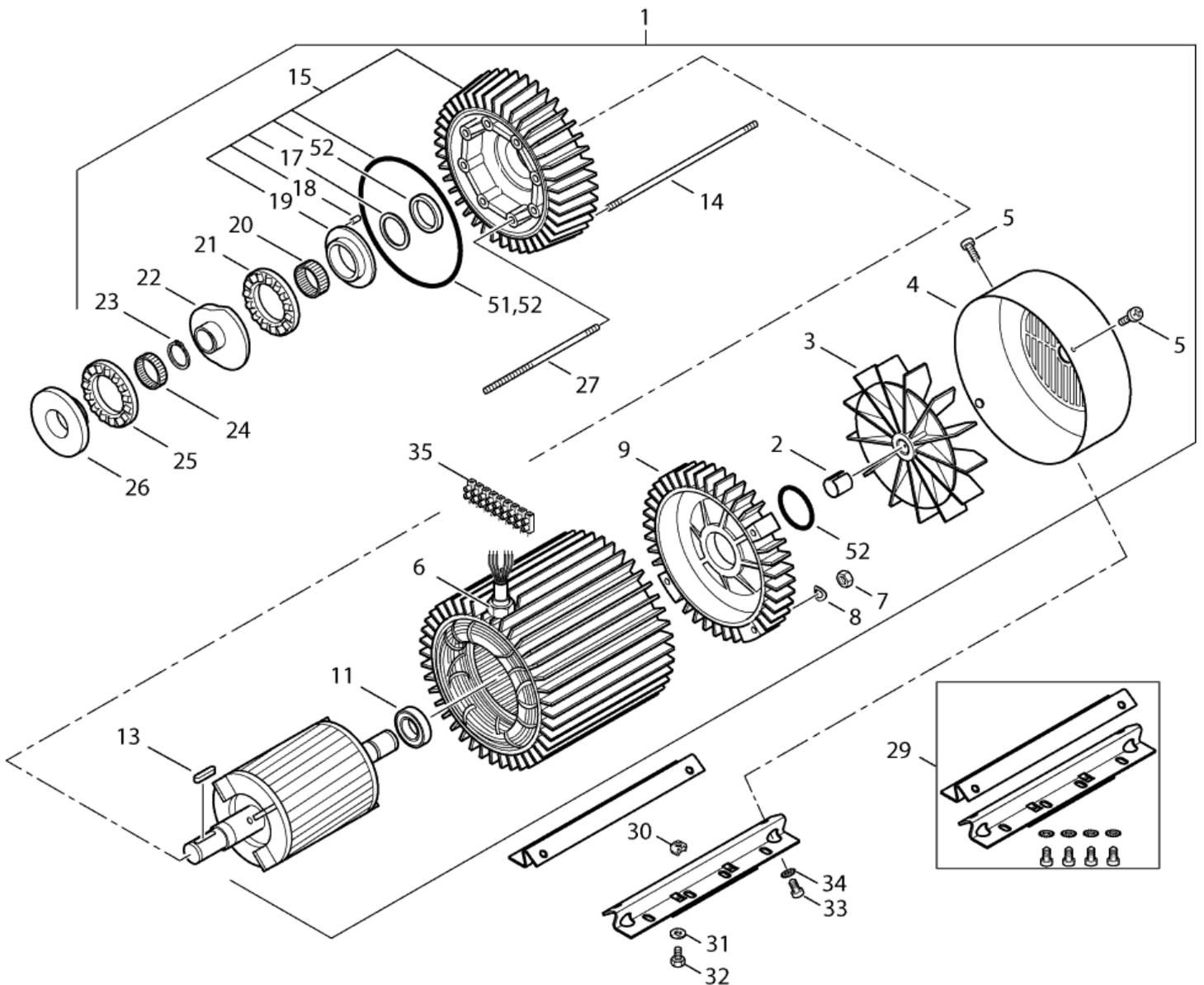
Motor NEPTUNE 7

NEPTUNE 7 FA/FAX

26-02-2013

StyMiste ID
NEPTUNE13

13



Motor NEPTUNE 7

NEPTUNE 7 FA/FAX

26-02-2013

StyMiste ID
NEPTUNE13

14

Pos	Vare nr.	Ant	Beskrivelse	
0	107121000	1	MP UNIT 400-230/3/50 6.5KW NEPTUNE 7	Motorpump unit complete - not shown
1	107120750	1	Motor 6,5Kw/400-415/230/ 3	7-63 *EU*BE*NO*, WITH WOBBLEDISC NO. 12
1	107120751	1	MOTOR 6.5KW 440 220 3 60	7-63 *KR*, WITH WOBBLEDISC NO. 6
1	107120752	1	MOTOR 6.5KW 200 3 50	7-63 *JP, 50HZ*, WITH WOBBLEDISC NO. 12
1	107120753	1	MOTOR 6.5KW 200 3 60	7-63 *JP,60HZ*, WITH WOBBLEDISC NO. 6
1	107120757	1	MOTOR 5.0KW 208 230 1 60	7-58, WITH WOBBLEDISC NO. 4
1	107120759	1	MOTOR 2.1KW 230 1 50	7-25*GB*, WITH WOBBLEDISC NO.17
1	107120790	1	MOTOR 7.8KW 440.220/3/60 NEPTUNE	7-66, WITH WOBBLEDISC NO. 6
2	1802503	1	Låsering Ø25Xø25	
3	6100605	1	Ventilatorvinge	
4	6100609	1	Ventilatorskærm	
5	101814693	2	SCREW M4X 8 EE DIN 7500 A2	
6	107302152	1	Bøsning	
7	2758	4	HEXAGON NUT M8	
8	1801182	4	Fjederskive M8	
9	107140617	1	Rear Bearing Cover	From week 32 2009 (EME)
9	6100611	1	N-Lejedæksel	Up to week 32 2009 (ATB)
11	3200623	1	Leje	
13	3200672	1	Feder	
14	6100711	4	Stagbolt F. Statorhus	7-25
14	6100712	4	Stagbolt F. Statorhus	7-58, 7-63, 7-66
15	107140615	1	Front Bearing Cover Compl Ete	From week 32 2009 (EME) - TSB-PPW-2011-013 C3 Pump
15	6101750	1	D-Lejedæksel Komp. 03	Up to week 32 2009 (ATB) - TSB-PPW-2011-013 C3 Pum
17	6100995	1	Skive	
18	6100996	1	Styrestift	
19	107120703	1	Lejeskive	
20	3200656	1	Nåleleje Ina K 40X46X17	
21	3200615	1	Rulleleje	
22	107120708	1	Skråskive 4	7-58
22	107120710	1	Skråskive 6	7-63 60HZ, 7-66
22	107120716	1	Skråskive 12	7-63 50HZ
22	107120719	1	WOBBLE DISC NO 17	7-25*GB*
23	1802511	1	Seegerring U 28 X 1,5	
24	3200664	1	Nåleleje	
25	3200615	1	Rulleleje	
26	107120704	1	Lejeskive	
27	6301368	8	Stagbolt	
29	101118095	1	Konsol For Motor	7-58, 7-63, 7-66
29	301001070	1	Console 263X220X41,2	7-25
30	909100152	4	Møtrik	
31	2793	4	WASHER 8.4X2	
32	8919	4	Skrue	
33	1802651	4	Taptite Skrue M10X25	

Motor NEPTUNE 7

NEPTUNE 7 FA/FAX

26-02-2013

Stykliste ID
NEPTUNE13

15

Pos	Vare nr.	Ant	Beskrivelse
34	10204	4	SERRATED LOCK WASHER A10
35	101117839	1	Terminal Plug And Terminal Pins
49	1119310	1	Rep.Sæt F. Ventiler
50	1119571	1	Pakningssæt (Reduceret)
51	1119820	1	Rep.Sæt Olieætning 03
52	1119570	1	Rep.Sæt Pakninger C3

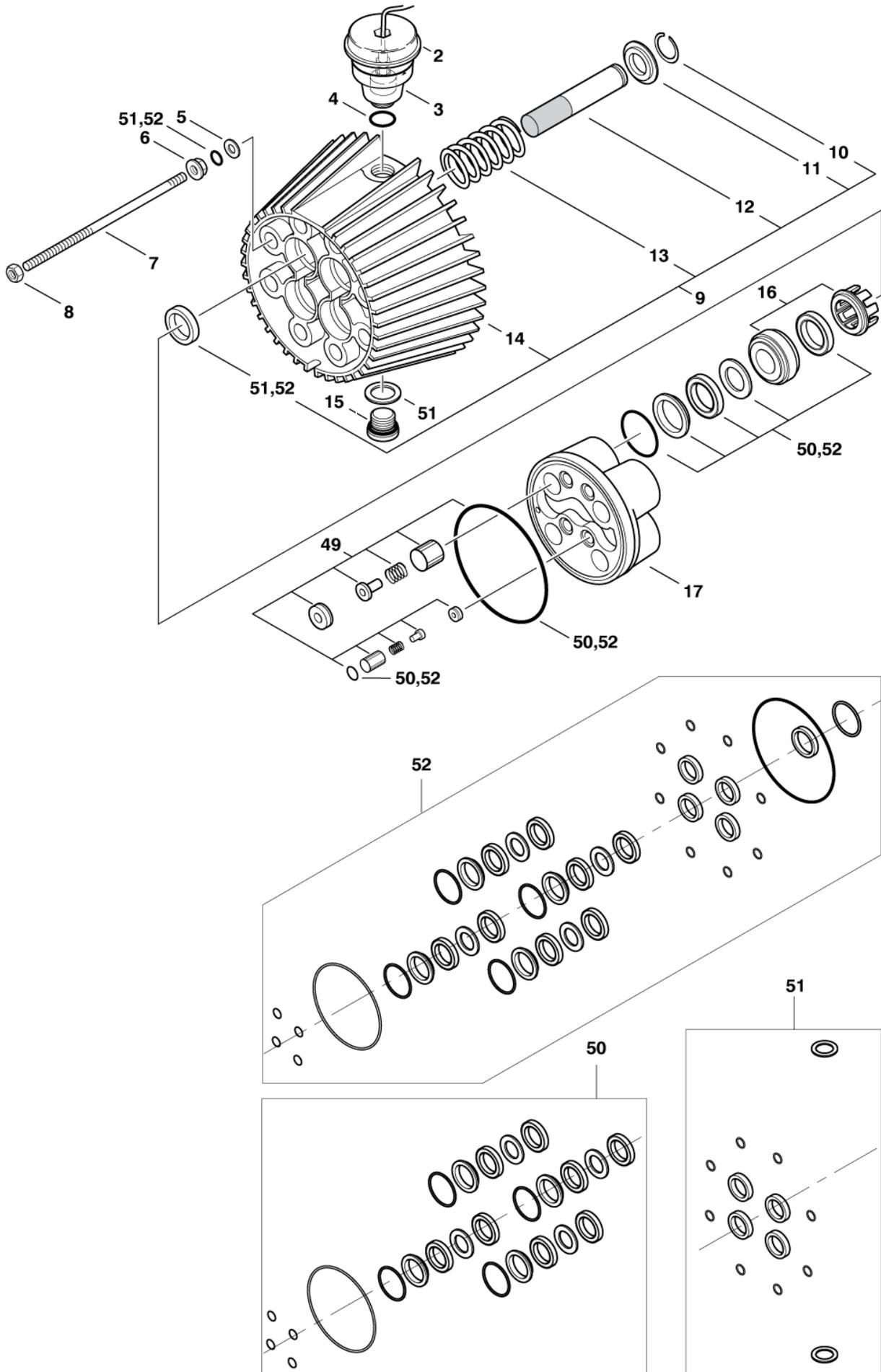
Pump A NEPTUNE 7

NEPTUNE 7 FA/FAX

26-02-2013

StyMiste ID
NEPTUNE12

16



Pump A NEPTUNE 7

NEPTUNE 7 FA/FAX

26-02-2013

StyMiste ID
NEPTUNE12

17

Pos	Vare nr.	Ant	Beskrivelse
-	5218433	1	Pump Oil Iso 150 1 L.
2	301000615	1	Dæksel
3	301000614	1	Kemibeholder
4	19690	1	O-Ring 9,0 X 1,8
5	6100718	8	Skive F. Stagbolt
6	6100719	8	Trykring
7	6301368	8	Stagbolt
8	4826	8	Hexagon Nut M10
9	6300071	1	Cylinderblok Komp.
10	1802529	4	Seeger Springring
11	6100666	4	Ring F. Returfjeder
12	6301166	4	Trykstempel-Keramik C3
13	102602517	4	Returfjeder C3K
14	6100610	1	Cylinderblok
15	6150400	1	Bundprop
16	107120700	4	Trykring & Støttering
17	107120701	1	Cylinder
49	1119310	1	Rep.Sæt F. Ventiler
50	1119571	1	Pakningssæt (Reduceret)
51	1119820	1	Rep.Sæt Olieætning 03
52	1119570	1	Rep.Sæt Pakninger C3

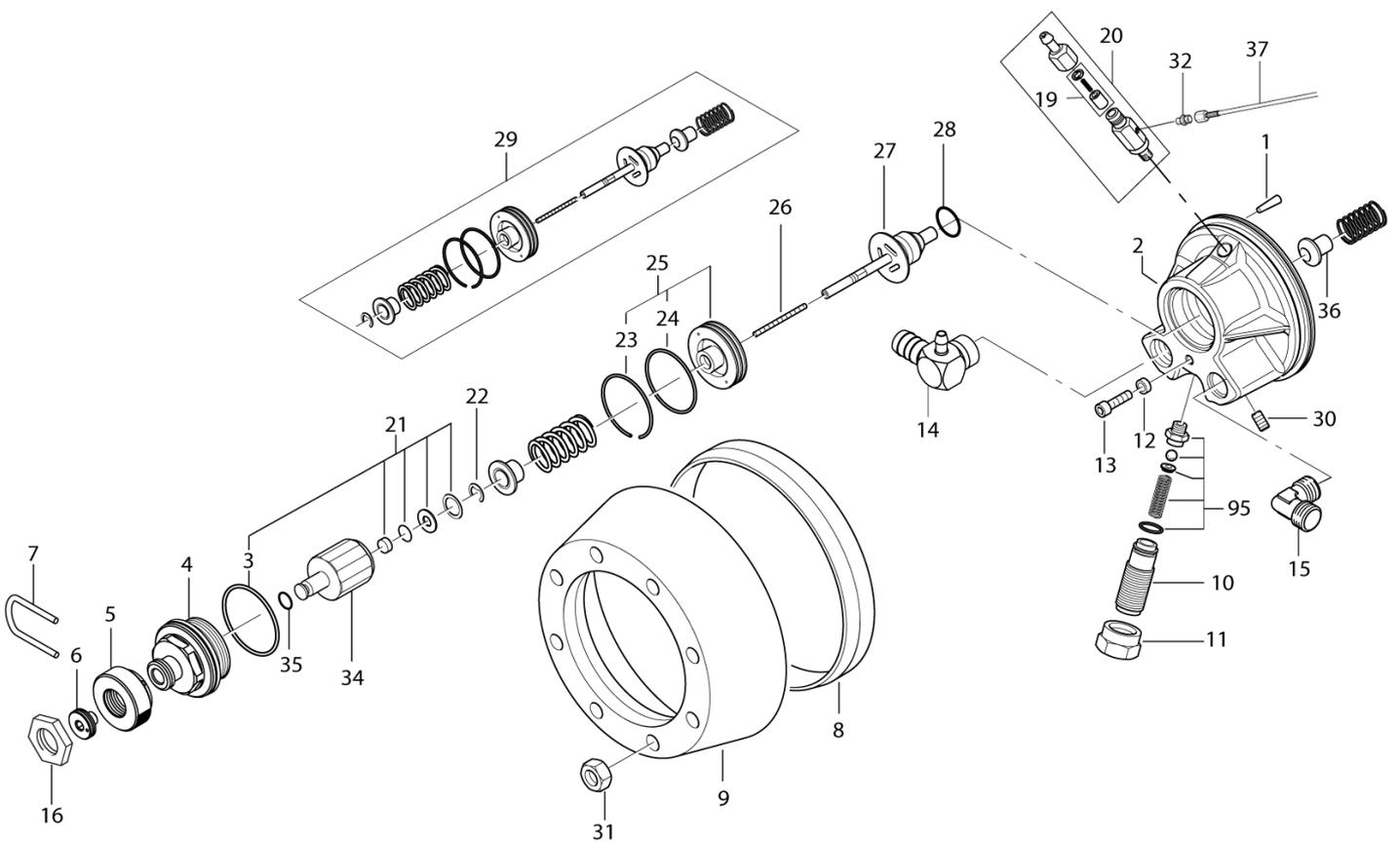
Pump B NEPTUNE 7 FA

NEPTUNE 7 FA/FAX

26-02-2013

StyMiste ID
NEPTUNE111

18



Pump B NEPTUNE 7 FA

NEPTUNE 7 FA/FAX

26-02-2013

StyMiste ID
NEPTUNE111

19

Pos	Vare nr.	Ant	Beskrivelse
1	6100996	1	Sty restif t
2	6101042	1	Ventildæksel
3	3001179	1	O-Ring 39,6X2,4 Nitril
4	101117801	1	Bushing Stream Device Kit
5	101117802	1	Regulation Handle Kit
6	101117803	1	Adjustment Knob Kit
7	101117804	1	Retainer Spring Kit
8	6301392	1	Ring F. Motorpumpeenhed
9	6100602	1	Spændering
10	6100940	1	Justerskrue
11	6100928	1	Kontramøtrik
12	6100985	1	Låseskive
13	3913	1	Skruer M6X12
14	6220681	1	Vinkel
15	1600444	1	"Vinkel Ø12 X 3/8" "
16	106408175	1	Lock Nut For NEPTUNE Bypa Ss Valve Kit
19	1119317	1	Rep.Sæt Udluftningsventil
20	6220596	1	Udluftningsventil Komp.
21	101119410	1	Rep. Sæt Pakninger
22	6101069	1	Låsering F. Fjederstyr
23	6101061	1	Stempelring
24	3001716	1	O-Ring 35,1X1,6 Nitril
25	6100925	1	Stempel F. Omløbsventil
26	2600286	1	Fjeder
27	6400143	1	Ventilkegle
28	6441	1	O-Ring
29	1118580	1	Rep.Sæt F. Omløbsventil
30	1602333	1	"Rørprop 1/8" "
31	4826	8	Hexagon Nut M10
32	1821	1	Fitting
33	60141	1	Manometerslange (Højtryk)
34	6100921	1	Stop Bøsning F. Stempel
35	3001187	1	O-Ring 5,6X2,4 Nitril
36	6100915	1	Ventilkegle F. Kontravent.
37	60141	1	Manometerslange (Højtryk)
95	1118512	1	Rep.Sæt, Sikkerhedsventil
18A	1803493	1	"Tætningsskive F. 1/4"Rg "

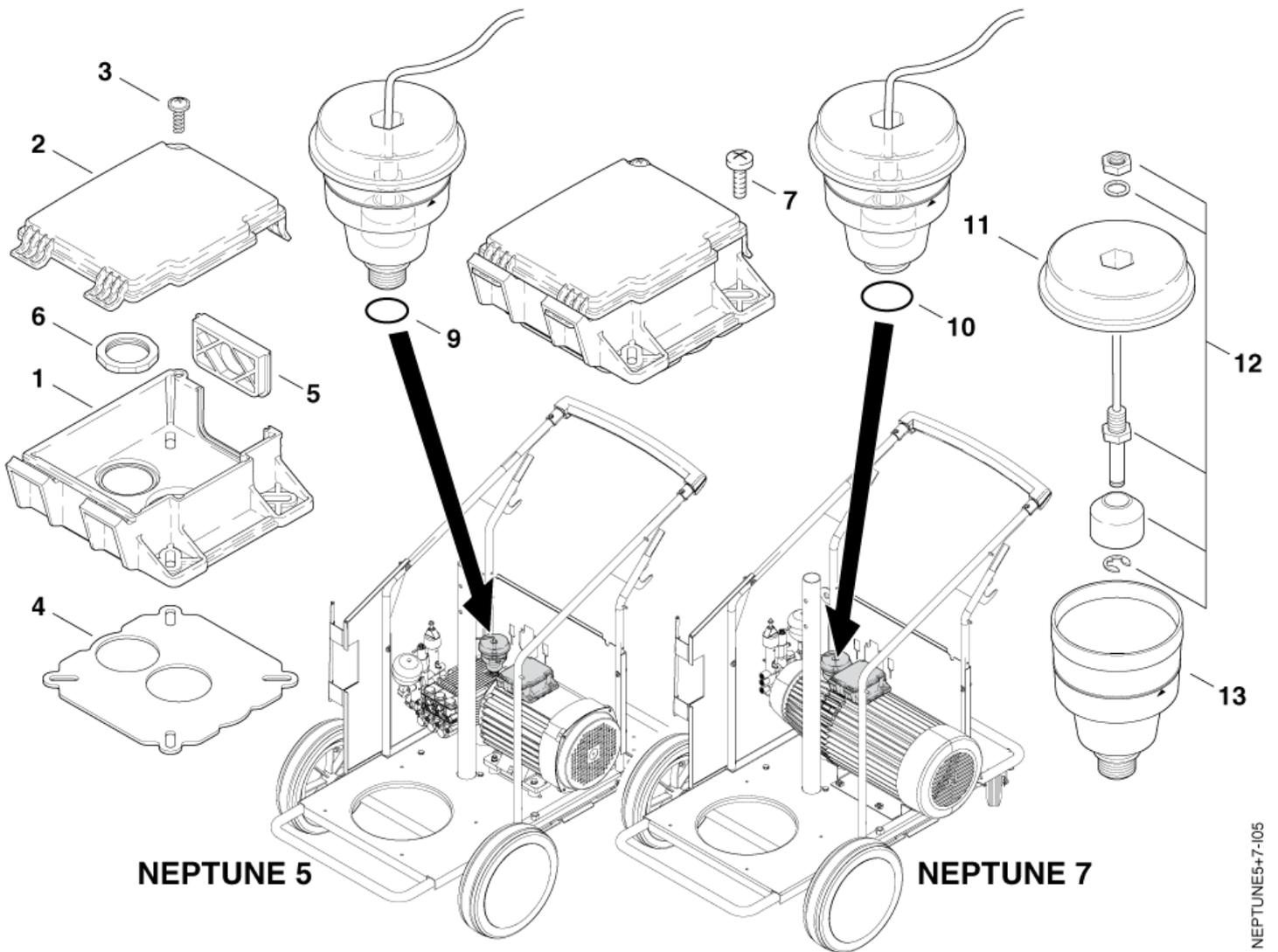
Electric box (motor)

NEPTUNE 7 FA/FAX

26-02-2013

StyMiste ID
NEPTUNE29

20



Electric box (motor)

NEPTUNE 7 FA/FAX

26-02-2013

StyMiste ID
NEPTUNE29

21

Pos	Vare nr.	Ant	Beskrivelse	
-	5218433	1	Pump Oil Iso 150 1 L.	1,01
1	301000781	1	Elkasse	
2	301000782	1	Dæksel	
3	10028	1	Skrue	
4	301000845	1	GASKET FOR ELECTRIC BOX 100.50X114X1MM N	
5	17106	1	Indsats	
6	20862	1	Møtrik	
10	19690	1	O-Ring 9,0 X 1,8	
11	301000615	1	Dæksel	
12	301001196	1	Float Switch	
13	301000614	1	Kemibeholder	

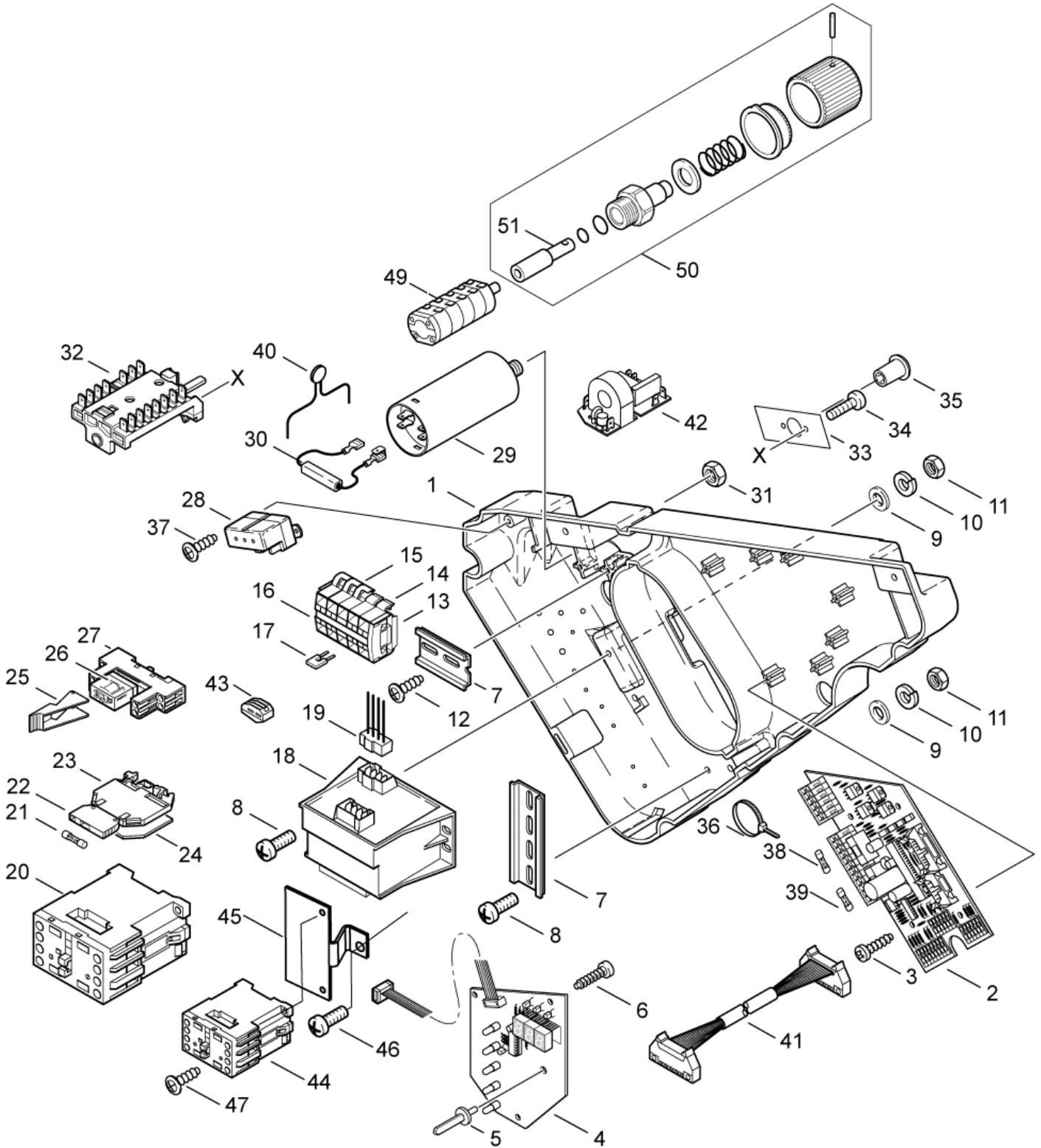
Electric box

NEPTUNE 7 FA/FAX

26-02-2013

StyMiste ID
NEPTUNE32

22



Electric box

NEPTUNE 7 FA/FAX

26-02-2013

StyMiste ID
NEPTUNE32

23

Pos	Vare nr.	Ant	Beskrivelse	
1	301000679	1	ASSEMBLY PLATE	
2	301000680	1	Hov ed Print	
2	301002123	1	Microprocessor	For main circuit board
3	1805175	4	Plastskruer	
4	301000678	1	Display	
5	301000636	1	Aksle	
6	11254	3	SCREW 3.5X10 WN1411	
7	22290	1	MOU. RAIL TS35/F6 7.5 18X5.2 EN60715 ZN	* SEE NOTE
8	15146	4	RAISED DOME HEAD SCREW M5X12 H DIN 7985	
9	2763	4	Washer 5,3X1	
10	1813773	4	SERRATED LOCK WASHER	
11	2760	4	Møtrik	
12	16860	1	Skruer 4x12	
13	301000689	1	END PLATE GREY 4MM TYP 264	
14	301000688	1	WIRE TERMINAL 4X2.5MM	
15	301000686	2	WIRE TERMINAL 4X2.5mm TYPE 264	
16	301000687	2	WIRE TERMINAL 2X2.5MM	1 PH
17	301000683	1	JUMPER	400/3/50
18	101117724	1	POWER TRANSFORMER 230/400-24/8V T70	7-25, 7-63, *EU*GB*BE*NO*
18	301001059	1	Transformer	7-58, 7-63*KR*, 7-66
18	301001060	1	TRANSFORMER 115AT 200V 2	7-63*JP*
19	301000722	1	WIRE H07V-K 4-POL. AEH US	
19	301002463	1	CABLE H07V-K 4-POLE	7-25, 7-58 01.10.2005=>
20	103822306	1	Contacteur Cjx2-D18-B7 24V	7-25, 7-63*EU*
20	103822313	1	Contacteur 12-25A 50/60Hz 24V	7-63 *KR*
20	103822317	1	Contacteur Cjx2-D32-B7 24V	7-58, 7-63 *BE*NO*, 7-63 *JP*, 7-66
21	3812385	1	Sikring Ø5X20	
22	3807914	1	Sikringsholder Sist	
23	3807906	1	TERMINAL STEIP WK4	
24	301000734	1	END PLATE	
25	301000684	1	Holderbøjle	
26	26817	1	Relæ	
27	41573	1	Relæsokkel	
28	11060	1	Startrelæ	7-25 *EU*GB* 230/1/50 =>01.10.2005]
29	301000403	1	Startkondensator 98µf	7-25, 7-58
30	301000402	1	Modstand	7-25, 7-58
31	2758	1	HEXAGON NUT M8	7-25, 7-58
32	301000293	1	Kontakt Stjerne/Trekant	*BE*NO*KR*US* 3-
33	64586	1	Label 230-400V CHANGE-OVER 74X28	*BE*NO*
33	64787	1	LABEL 220-440V CHANGE-OVER 74X28	*KR*US*
34	40045	2	PAN HEAD SCREW M4X30	*BE*NO*KR*US* 3-
35	64580	1	ROTARY KNOB	*BE*NO*KR*US* 3-
36	15147	1	CABLE STRAP 3.5X1.3X175	

*NOTE: PLEASE INDICATE LENGTHS IN METRES WHEN ORDERING

Electric box

NEPTUNE 7 FA/FAX

26-02-2013

StyMiste ID
NEPTUNE32

24

Pos	Vare nr.	Ant	Beskrivelse	
37	16860	1	Skrue 4x12	7-25, 7-58
38	103821729	1	Fuse Ø5X20 2A T, 250V	
39	24499	1	Sikring	
40	301002353	1	Current Limiter 5W	1 PHASE MACHINES
41	301001995	1	WIRE 16-POL. 1.3M TUBEFLEX-Y	
42	301001991	1	CIRCUIT BOARD 1PH 24VAC	7-25 01.10.2005=>
42	301002469	1	CIRCUIT BOARD 1PH 24VAC	7-58 01.10.2005=>
43	301002165	2	CAGE CLAMP TERMINAL 5POL WAGO 222-415	7-58 01.10.2005=>
44	103822301	1	Contacto Cjx2-D12-B7 24V	7-25 01.10.2005=>
45	301002465	1	BRACKET 60X40X19.5	7-25 01.10.2005=>
46	23394	1	RAISED DOME HEAD SCREW M5X16 H DIN 7985	7-25 01.10.2005=>
47	8956	2	TREAD-CUTTING SCREW M3.9X9.5 ISO 1481 ZN	7-25 01.10.2005=>
49	301001936	1	SWITCH START/TRIANGLE 25A	
50	1117357	1	Drejeknap F. Kontakter	
51	6201778	1	Forlængeraksel F.Omskift	

*NOTE: PLEASE INDICATE LENGTHS IN METRES WHEN ORDERING

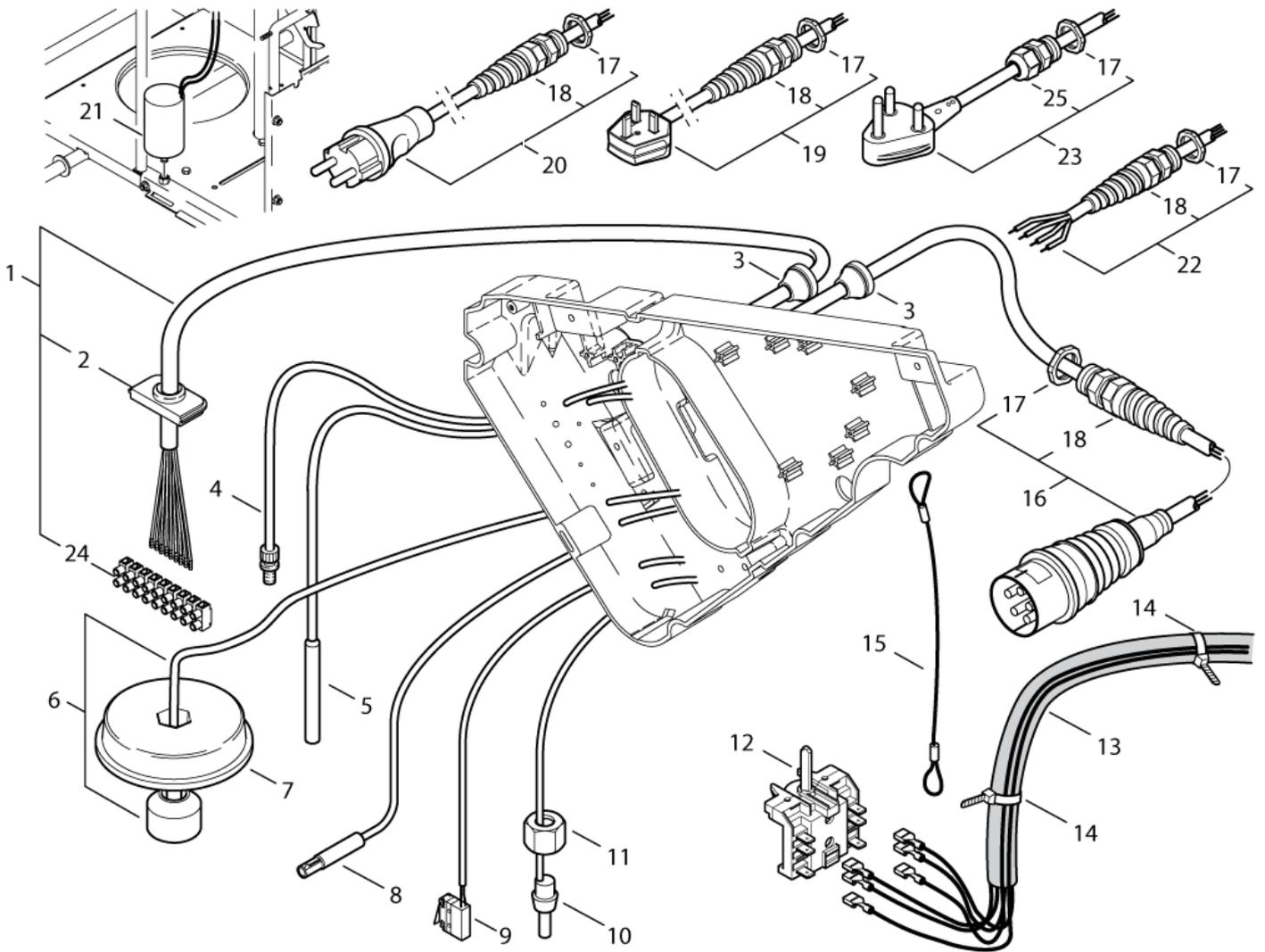
Electric box cables

NEPTUNE 7 FA/FAX

26-02-2013

StyMiste ID
NEPTUNE33

25



Electric box cables

NEPTUNE 7 FA/FAX

26-02-2013

StyMiste ID
NEPTUNE33

26

Pos	Vare nr.	Ant	Beskrivelse	
1	101117846	1	MOTOR CABLE 9-WIRE 1PH AWG14	110/1/50, 220/1/60, 7-58
1	101117847	1	MOTOR CABLE 9-WIRE 3PH AWG14	*JP*
1	101117848	1	NEPTUNE MOTOR CABLE 7-WIRE 1PH 1.5MM2	230/1/50, 7-25
1	101117849	1	Kabel 9-Ledet, Motorkit	400/3/50, 7-63 *EU*
1	101117851	1	NEPTUNE MOTOR CABLE 9-WIRE 3PH 1.5MM2	* SEE NOTE
2	17106	1	Indsats	
3	3803780	2	Pakdåse Tet 10-14C	
3	3803798	2	Pakdåse Tet 14-20C	110/1/50 *JP*US*
4	301000732	1	Termo Sikring	
5	301002458	1	Reed Contact	
6	301001196	1	Float Switch	
7	301000615	1	Dæksel	
8	301000729	1	Flammeføler	
9	301000731	1	Mikrokontakt	
10	301000730	1	Temperaturføler	
11	1081	1	Tilslutningsmøtrik, Galv.	
12	28877	1	Switch	
13	301000719	1	CORD TRANSFORMER 230AT 4G	7-25, 7-58
13	301000720	1	CORD TO TRANSFORMER 400V	7-63, *EU*JP*
13	301000721	1	CORD TRANSFORMER 4G1.5	7-63, 7-66, *BE*NO*KR*US*
14	4059	5	CABLE STRAP 3.6X1.1X110	
15	301001091	1	ROPE D1.2X365	
16	301000832	1	Ledning Med Stik	400/3/50 7-63X2 *EU*
16	301000834	1	Ledning Med Stik	400/3/50 7-63 *EU*
17	909100019	1	Møtrik	
17	909100020	1	Hexagon Thin Nut M25X1.5 En 50262 P	110/1/50 *JP*US*
18	909100043	1	Kabelaf lastning	
18	909100198	1	SCREWED CABLE GLAND M25X1.5	110/1/50 *JP*US*
19	301000830	1	POWER CORD H07RN-F 3G1.5	230/1/50 7-25X2 *GB*
19	301000912	1	POWER CORD H07RN-F 3G1.5X6.0	230/1/50 7-25 *GB*
21	301000415	1	CAPACITOR 80MICRONFOR 420V	7-25, 7-58
22	301000091	1	POWER CORD SOW 4AWG8 X 6.5M	7-66
22	301000380	1	POWER CORD VCT 4X5.5X9	7-63 *JP*
22	301000831	1	POWER CORD H07RN-F 4G2.5x 11m	230/400/3/50, 220/440/3/60 7-63 X2
22	301000833	1	POWER CORD H07RN-F 4G2.5X6.0	230/400/3/50 7-63
23	301000407	1	POWER CORD SJOW AWG10/3X9.0	7-58
24	101117839	1	Terminal Plug And Termina L Pins	
25	107141571	1	CABLE GLAND KIT	

* NOTE: 230/400/3/50, 220/440/3/60, 7-63 *BE*NO*KR*

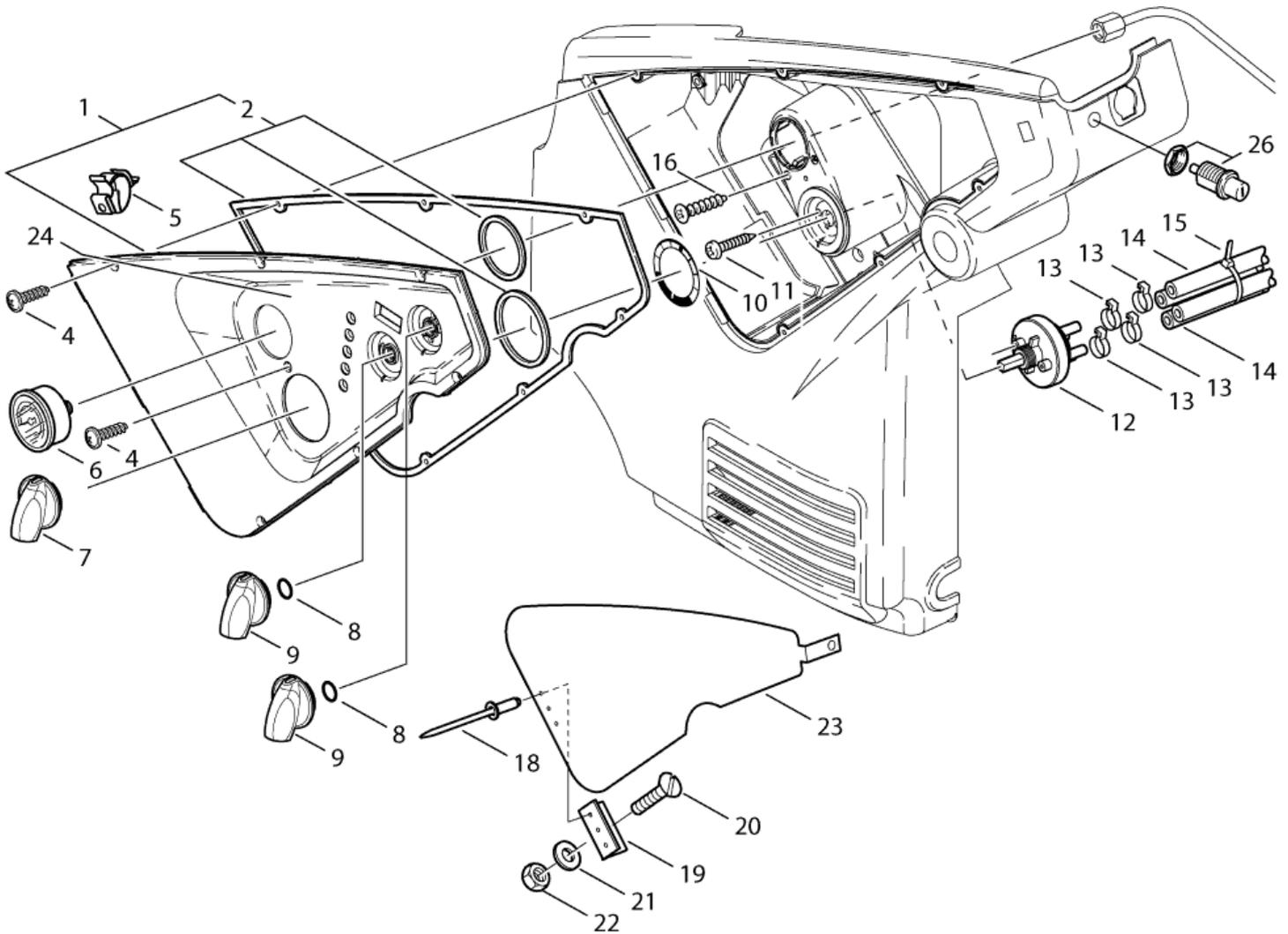
Cover electric box

NEPTUNE 7 FA/FAX

26-02-2013

StyMiste ID
NEPTUNE34

27



Cover electric box

NEPTUNE 7 FA/FAX

26-02-2013

StyMiste ID
NEPTUNE34

28

Pos	Vare nr.	Ant	Beskrivelse
1	301001095	1	Dæksel
2	301000970	1	Pakningssæt
4	1814614	6	Skrue K50X18 Wn1451 A2
5	301001075	1	WIRE HOLDER D22X38X16
6	49473	1	Manometer 0-250 Bar
7	909100207	1	Drejeknap
8	9868	2	O-Ring 10.0X2.5
9	909100206	2	Drejeknap
10	301000786	1	Klæbeskilt
11	1814730	2	SCREW 35X10B W1423
12	301001000	1	Doserventil
13	11654	4	Slangeklemme
14	101406100	1	Kemislange, 5 Meter
15	8819	1	Strips
16	11253	2	Skrue Ka5,0X20 Aero
24	301000785	1	Label

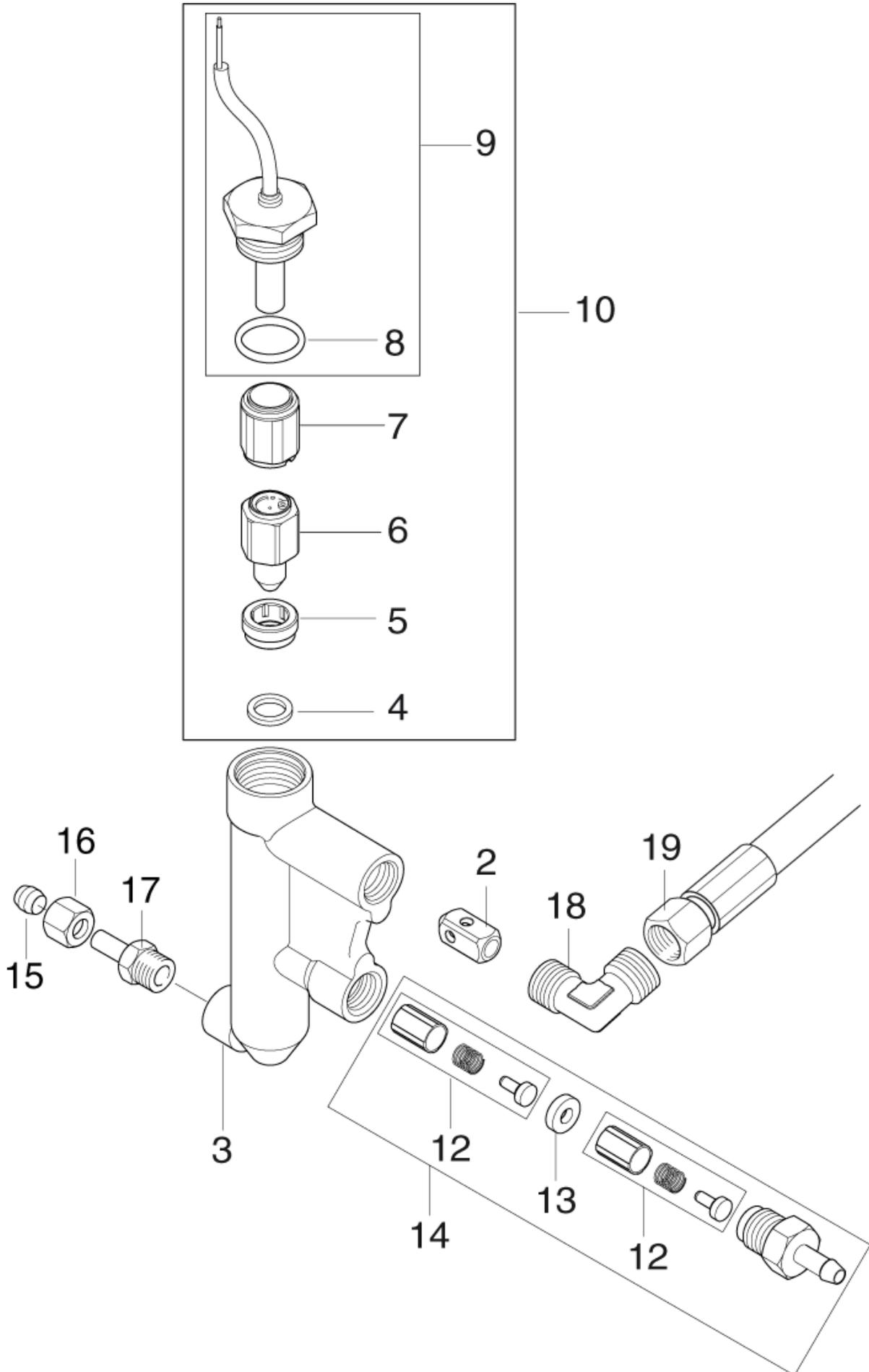
Flow control 7FA

NEPTUNE 7 FA/FAX

26-02-2013

StyMiste ID
NEPTUNE370

29



Flow control 7FA

NEPTUNE 7 FA/FAX

26-02-2013

StyMiste ID
NEPTUNE370

30

Pos	Vare nr.	Ant	Beskrivelse
2	6101038	1	Stempel
3	6201545	1	Hus F. Strømningskontrol See TSB-PPW-2011-014
4	3001112	1	O-Ring 10X3
5	6201534	1	Sæde
6	6350463	1	Kontraventil, Kompl.
7	6350454	1	Stempel
8	3000825	1	O-Ring 20,24X2,62 Nitril
9	6221773	1	Reedkontakt Komp.
10	1119319	1	Rep.Sæt Strømningskontrol
12	1119566	1	Rep.Sæt Kontraventil
13	6201535	1	Sæde F. Kontraventil
14	1119318	1	Rep.Sæt F. Kontraventil
15	1080	1	Skæring, Galv.
16	1081	1	Tilslutningsmøtrik, Galv.
17	6628	1	Screw Xevge 12Lr1/4 Z
18	1600444	1	"Vinkel Ø12 X 3/8" "
19	101117806	1	Hp Hose Cpl. Kit

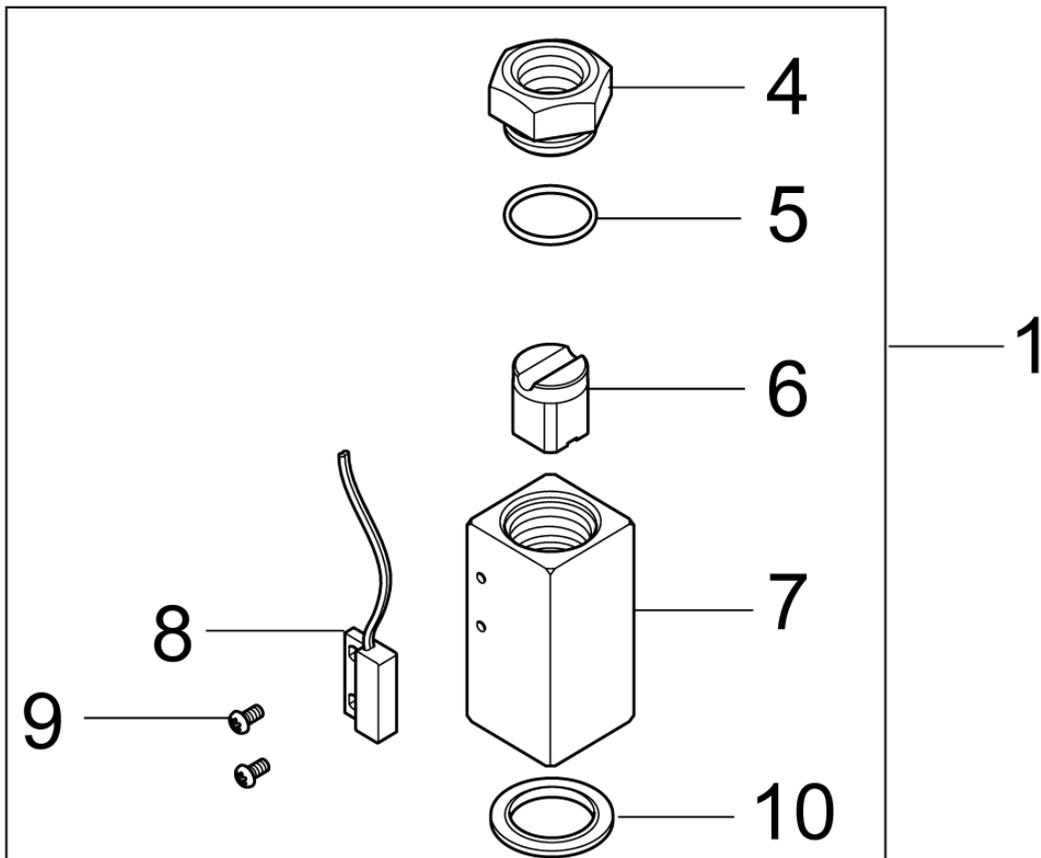
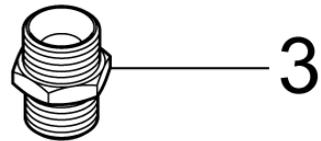
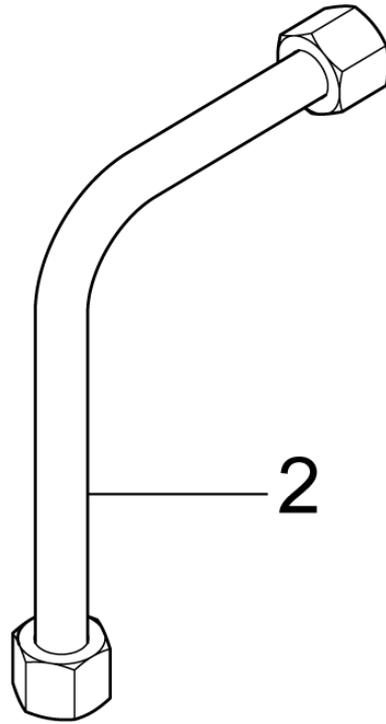
Flow control (heating exchanger) 7FA

NEPTUNE 7 FA/FAX

26-02-2013

StyMiste ID
NEPTUNE372

31



Flow control (heating exchanger) 7FA

NEPTUNE 7 FA/FAX

26-02-2013

StyMiste ID
NEPTUNE372

32

Pos	Vare nr.	Ant	Beskrivelse
1	101117797	1	Flow Switch Cpl. Kit
2	101117657	1	Pipe Bend Kit Cpl. F. Flo W Switch
3	1601079	1	Ligeforskrning
4	G181345	1	Nippel For Flowswitch
5	G120381	1	O-Ring 18X2 70 Gr Shore
6	101117798	1	Magnet Housing Cpl. Kit
7	101117799	1	Housing For Flow Switch K It
8	101117800	1	Reed Switch Kit
9	101117717	2	Screw Torx M3X6 Electro Plated Din 7985
10	1801075	1	"Tætningsskive 3/8" Rg "

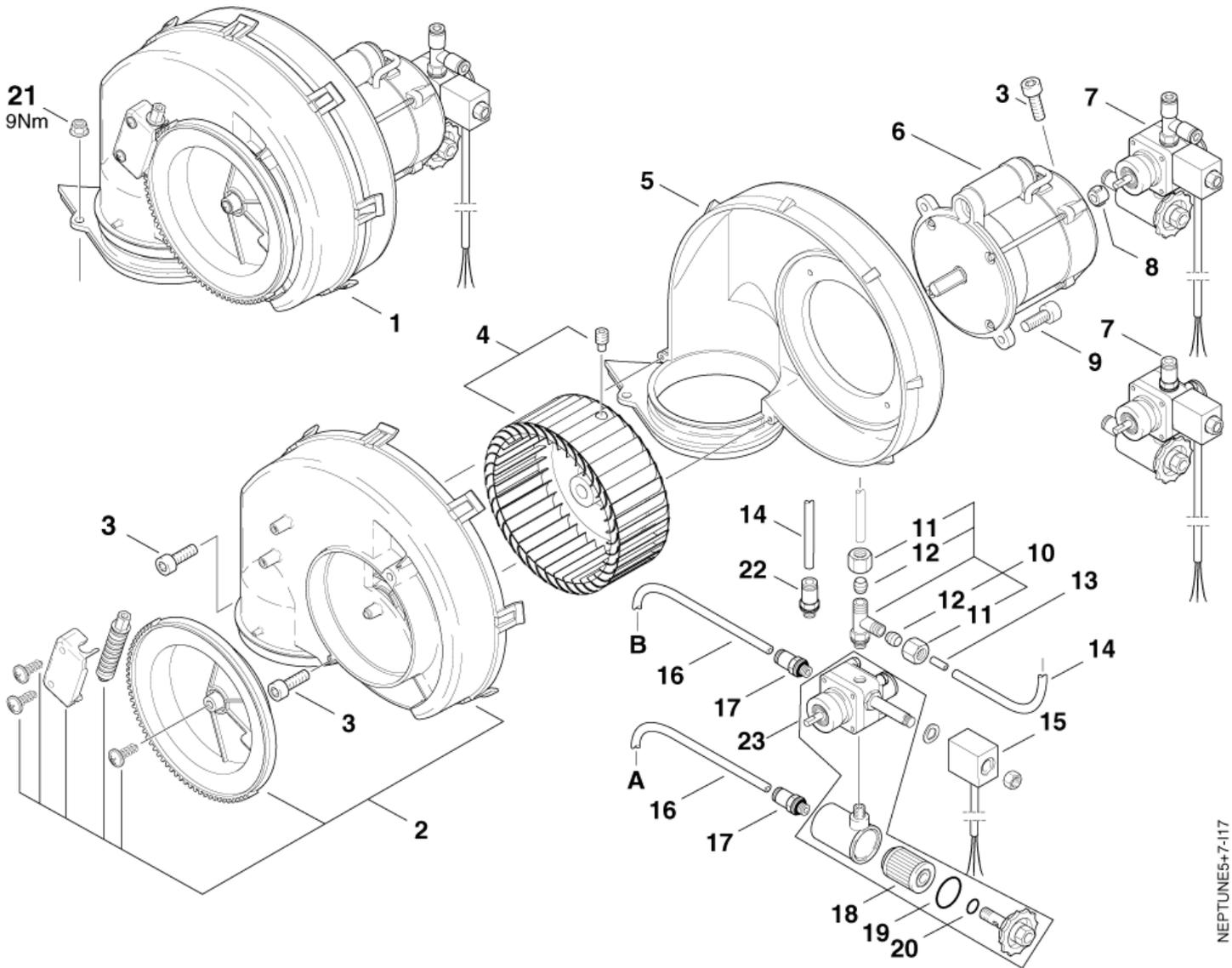
Burner unit

NEPTUNE 7 FA/FAX

26-02-2013

StyMiste ID
NEPTUNE35

33



Burner unit

NEPTUNE 7 FA/FAX

26-02-2013

StyMiste ID
NEPTUNE35

34

Pos	Vare nr.	Ant	Beskrivelse	
1	301000908	1	Kedelblæser Hus Komplet	230V 7-63, *EU*BE*NO*
1	301001358	1	BURNER FAN HOUSING Kerosine	230/50 7-25
1	301001377	1	BURNER FAN HOUSING Kerosine	5-25 110/1/50
1	301001395	1	BURNER FAN HOUSING Kerosine	* SEE NOTE
2	301000852	1	Dæsel For Kedelblæserhus	
3	32535	3	SCREW M5X16	
4	301000889	1	Kedelblæsehjul	
5	301000495	1	Kedelblæse Hus	
6	301000881	1	Burner Motor 0V/50-60Hz	200-220/50,60 7-58, 7-63*JP*KR*, 7-66
6	301000882	1	Blæser Motor	*EU*BE*NO*GB*
7	101117988	1	Oil Pump Sp55B 431 Kit	*EU*BE*NO* 01.04.2005=>
7	101117989	1	OIL PUMP SP55B 4316M KIT	*GB*US*JP*KR* 01.04.2005=>
7	301000888	1	Brændstofpumpe	*EU*BE*NO* =>31.03.2005
7	301001348	1	FUEL PUMP 24V KEROSINE	*GB*US*JP*KR* =>31.03.2005
8	1226	1	Kobling	
9	4697	2	SCREW M6X16	
10	909100142	1	Forskrning - L Type	=>31.03.2005
11	1603430	2	Omløber Ø4	=>31.03.2005
12	1603448	2	Skæring Ø4	=>31.03.2005
13	301000914	1	Støtte	=>31.03.2005
14	909100141	1	Slange	** SEE NOTE
15	101117987	1	Magnetventil 24V	
16	17710	1	Rør	** SEE NOTE
17	29599	2	Forskrning - Lige	
18	1756	1	Filter Patron	
19	40907	1	O-Ring	
20	9868	1	O-Ring 10.0X2.5	
21	12496	2	Møtrik M6	
22	301002070	1	Union	01.04.2005=>
23	301002100	1	BASE-FUEL PUMP WITH FILTER	Kerosine
23	301002101	1	Oliepumpe Med Filter	

*NOTE: 200/50, 200,220/60 7-58, 7-63*JP*KR*, 7-66

**NOTE: PLEASE INDICATE LENGTHS IN METRES WHEN ORDERING

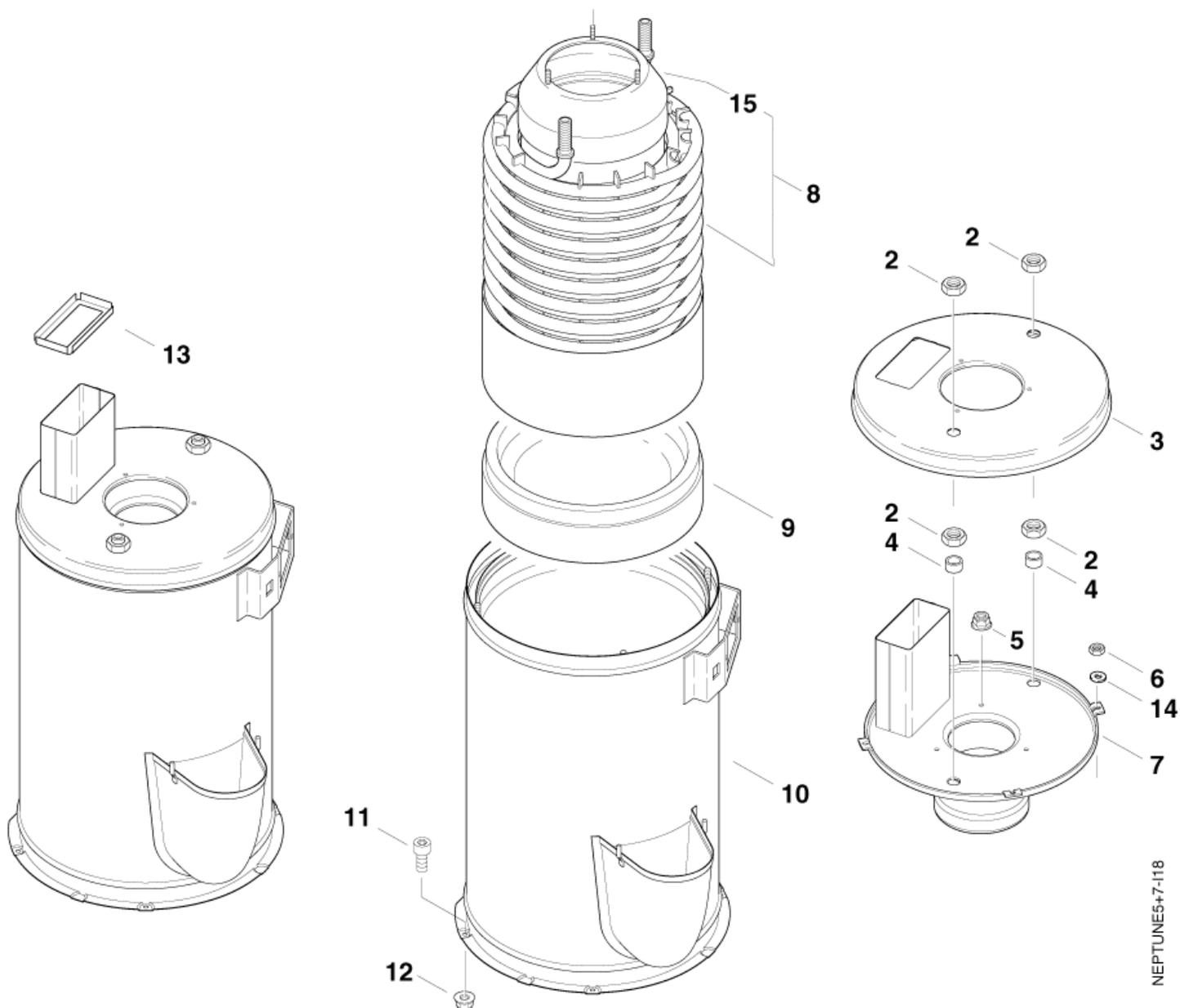
Heat exchanger

NEPTUNE 7 FA/FAX

26-02-2013

StyMiste ID
NEPTUNE36

35



NEPTUNE5+7-118

Heat exchanger

NEPTUNE 7 FA/FAX

26-02-2013

StyMiste ID
NEPTUNE36

36

Pos	Vare nr.	Ant	Beskrivelse	
2	7012	4	Møtrik	
3	301000534	1	Kedellæg Ydre	
4	301000582	2	BUSHING Ø22X1.5X24	
5	12496	3	Møtrik M6	
6	12263	4	HEXAGON NUT M6	
7	301001838	1	Brænderlæg, Inderste	NEPT. 5 + 7-25
7	301001839	1	Brænderlæg, Inderste	NEPT.7, NOT 7-25
8	301001098	1	Spiral NEPTUNE 5	NEPT. 5 + 7-25
8	301001099	1	Spiral NEPTUNE 7	NEPT.7, NOT 7-25
8	301001341	1	Coil Stainless Neptune	OPTION, NEPT. 5 + 7-25
8	301001342	1	"Coil Stainless ""NEPTUNE 7+8""	OPTION, NEPT.7, NOT 7-25
9	301000916	1	Isolation	
10	301000968	1	BOILER JACKET COMPL. NE	NEPT. 5 + 7-25
10	301000969	1	BOILER JACKET COMPL. NE	NEPT.7, NOT 7-25
11	3913	4	Skrue M6X12	
12	12496	4	Møtrik M6	
13	301001224	1	SHUTTER PLATE FOR CHIMNEY	7-25
14	2764	4	Washer 6,4X1,6	
15	301000541	1	Flammerør NEPTUNE 5+7	

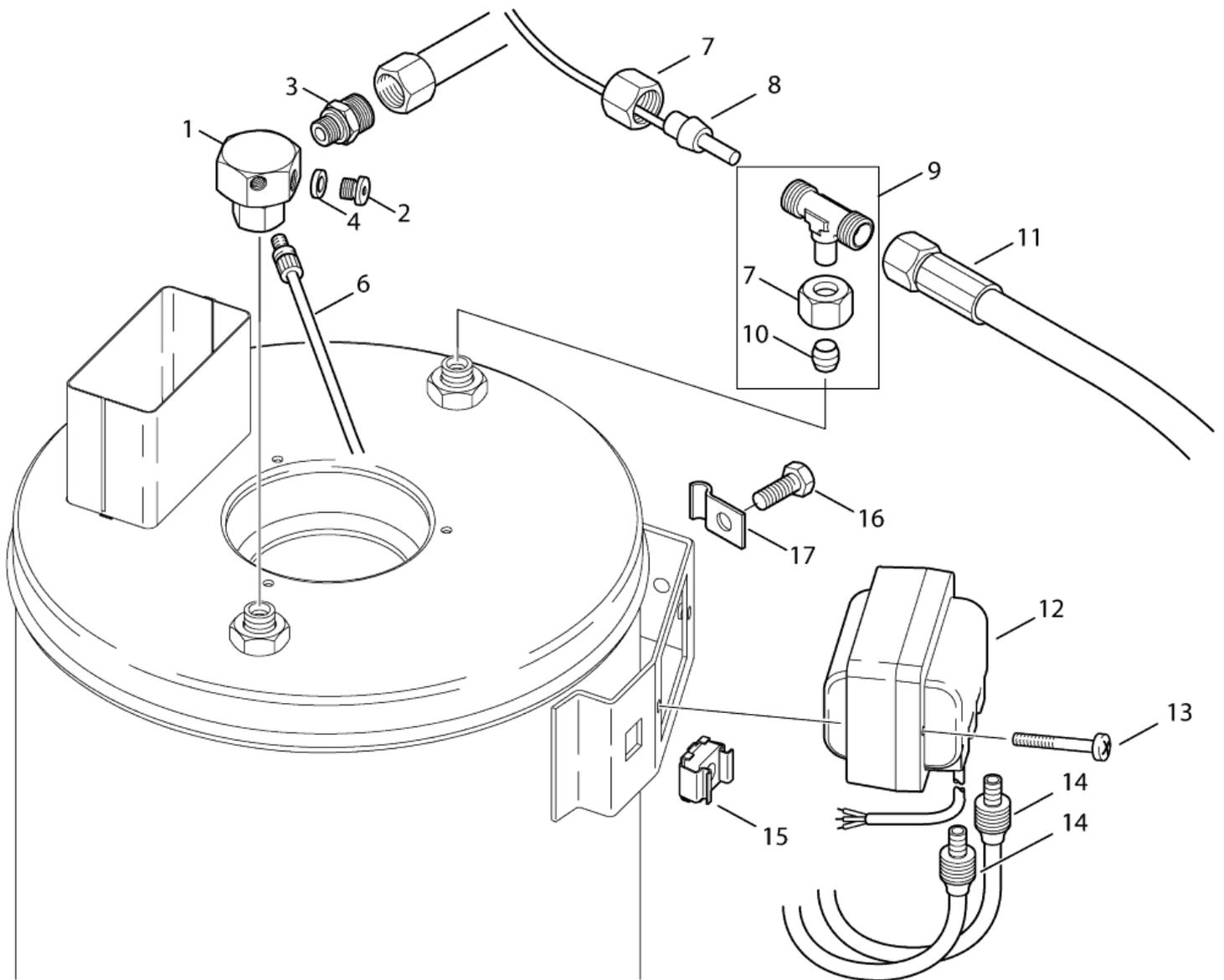
Distributor, ignition transformer 7FA

NEPTUNE 7 FA/FAX

26-02-2013

StyMiste ID
NEPTUNE371

37



Distributor, ignition transformer 7FA

NEPTUNE 7 FA/FAX

26-02-2013

StyMiste ID
NEPTUNE371

38

Pos	Vare nr.	Ant	Beskrivelse
1	301000847	1	DISTRIBUTOR HEXAGON 36X39
2	33047	1	Prop G1/8 Din 908
3	3938	1	Forskruning
4	1605	1	Pakning
6	301000732	1	Termo Sikring
7	1081	2	Tilslutningsmøtrik, Galv.
8	301000730	1	Temperaturføler
9	101118093	1	T-FITTING M18 X 1.5 THREAD
10	1080	1	Skæring, Galv.
11	301000855	1	Ht Slange
11	301000856	1	Ht Slange
12	301000879	1	Tændingstransformator
13	1809821	2	Skruer M5X50 Din 7985
14	301000858	2	Tændingskabel
14	301000859	2	Tændingskabel
15	909100152	1	Møtrik
16	1803543	1	Taptite M4X10
17	909100379	1	CLAMP 1-4-W1-1

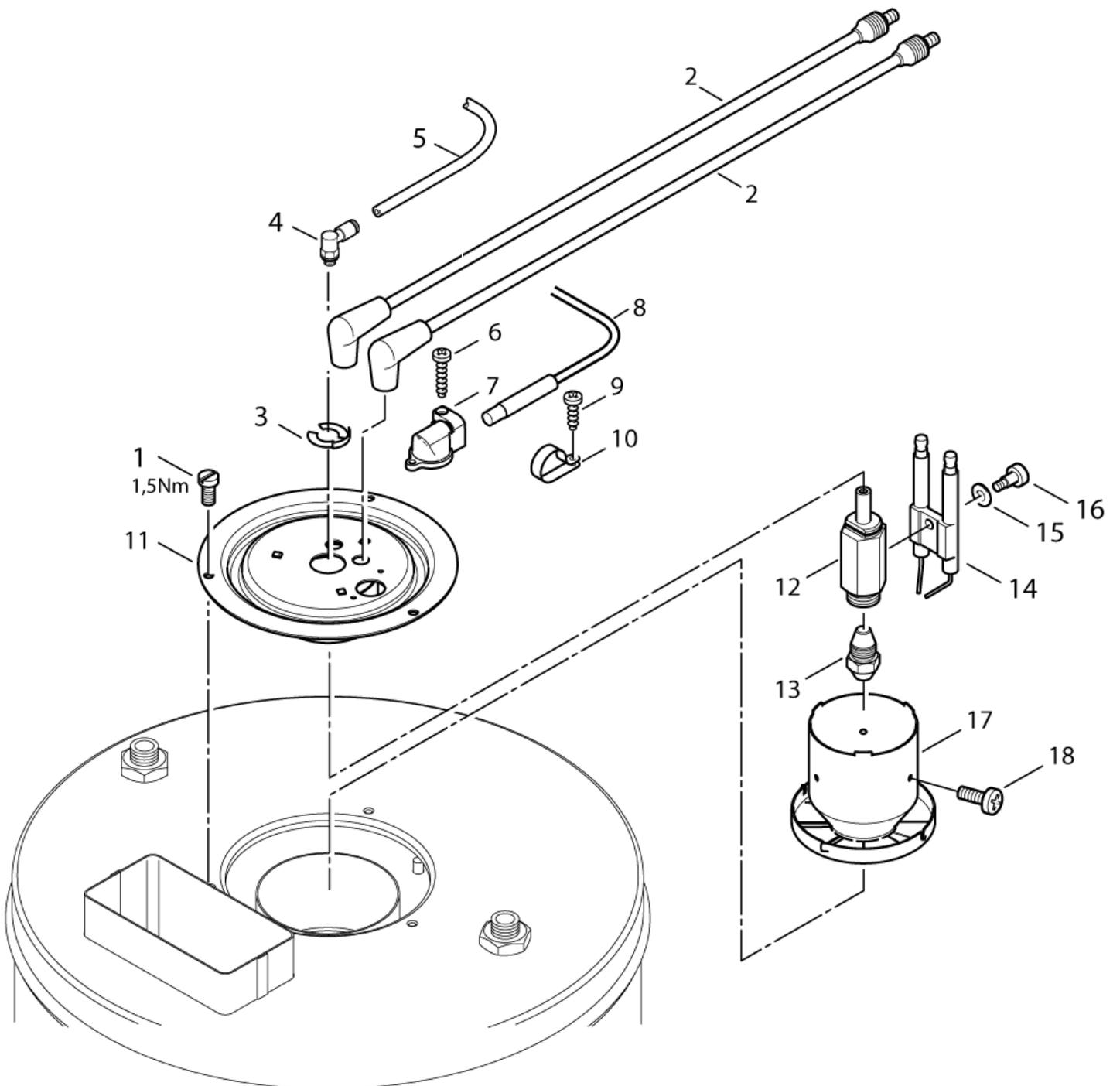
Air distributor Dec. 2010

NEPTUNE 7 FA/FAX

26-02-2013

StyMiste ID
NEPTUNE738

39



Air distributor Dec. 2010

NEPTUNE 7 FA/FAX

26-02-2013

StyMiste ID
NEPTUNE738

40

Pos	Vare nr.	Ant	Beskrivelse
1	4820	3	Skrue
2	301000859	2	Tændingskabel
3	101117876	1	Circlips
4	101117913	1	Elbow 4/M5 Push-In
5	909100141	1	Slange
6	5606	1	Metal Skrue
7	301000934	1	Holder Flammeføler
8	301000729	1	Flammeføler
9	4036	2	Skrue 2,9X9,5
10	301001069	1	Holder Temperaturføler
11	301000606	1	Dæksel
12	101117915	1	Oil Nozzle Holder
13	101118013	1	Oliedyse 2.25 Gal/H 60
			7 not 7-25
13	301001068	1	Oliedyse
			7-25
14	301150009	1	Tændelegtrode
15	909100144	1	Fjederskive
16	909100143	1	Skrue
17	301001833	1	Luftfordeler
18	51848	3	Skrue

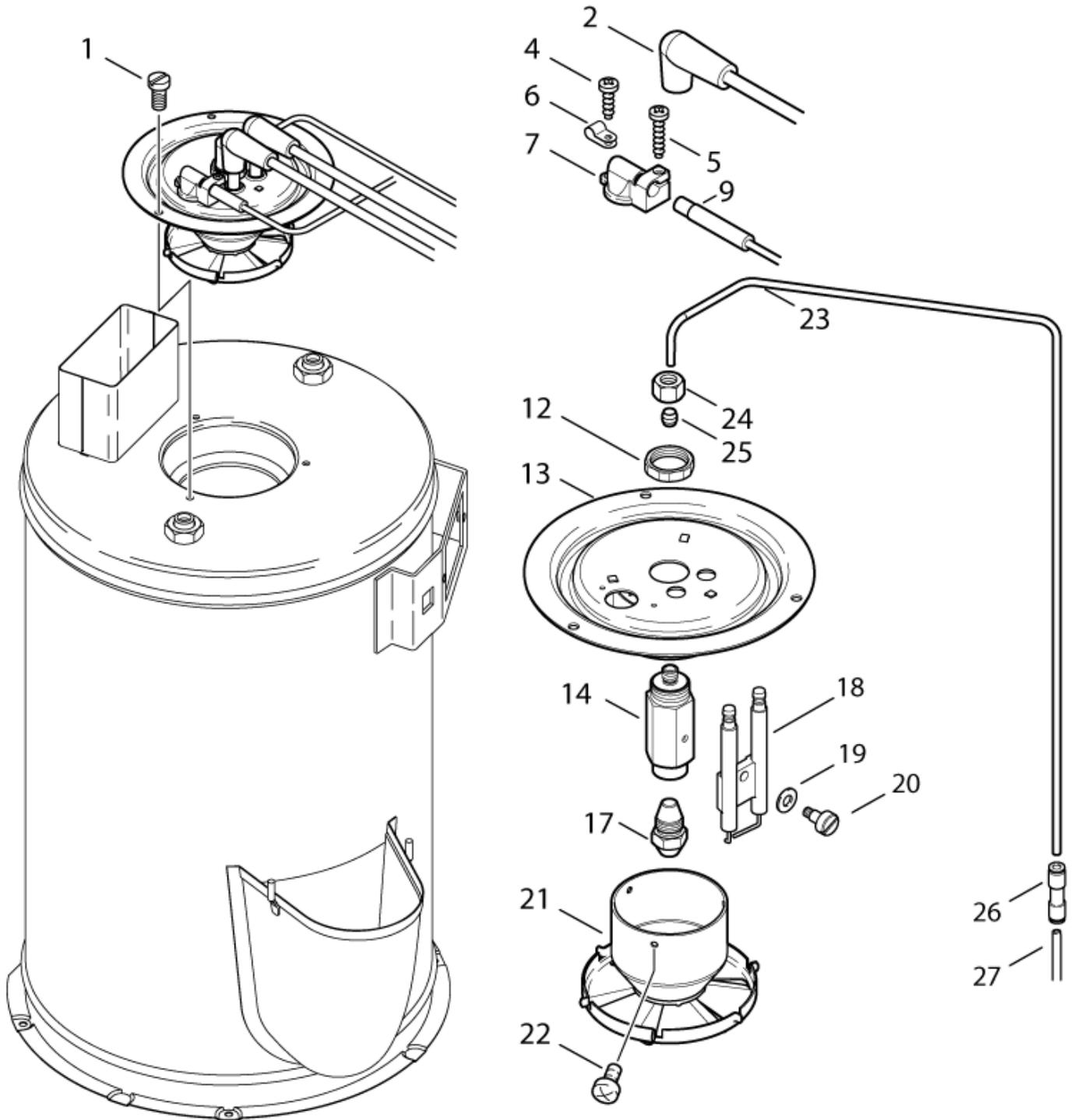
Air distributor

NEPTUNE 7 FA/FAX

26-02-2013

StyMiste ID
NEPTUNE7FA02

41



Air distributor

NEPTUNE 7 FA/FAX

26-02-2013

StyMiste ID
NEPTUNE 7 FA/FAX

42

Pos	Vare nr.	Ant	Beskrivelse
1	4820	3	Skrue
2	301000859	2	Tændingskabel
4	4036	1	Skrue 2,9X9,5
5	5606	1	Metal Skrue
6	301001069	1	Holder Temperaturføler
7	301000934	1	Holder Flammeføler
9	301000729	1	Flammeføler
12	909100139	1	Møtrik
13	301000606	1	Dæksel
14	301001548	1	Holder For Oliedyse
17	101118013	1	Oliedyse 2.25 Gal/H 60 from Serial no.2010960107 - TSB no. 2010-027
18	301150009	1	Tændelegtrode
19	909100144	1	Fjederskive
20	909100143	1	Skrue
21	301001833	1	Luffordeler
22	51848	3	Skrue
23	301002072	1	Pipe Bended Ø4X582
24	1603430	1	Omløber Ø4
25	1603448	1	Skæring Ø4
26	301001912	1	Union Piece Ø4/Ø4
27	909100141	1	Slange

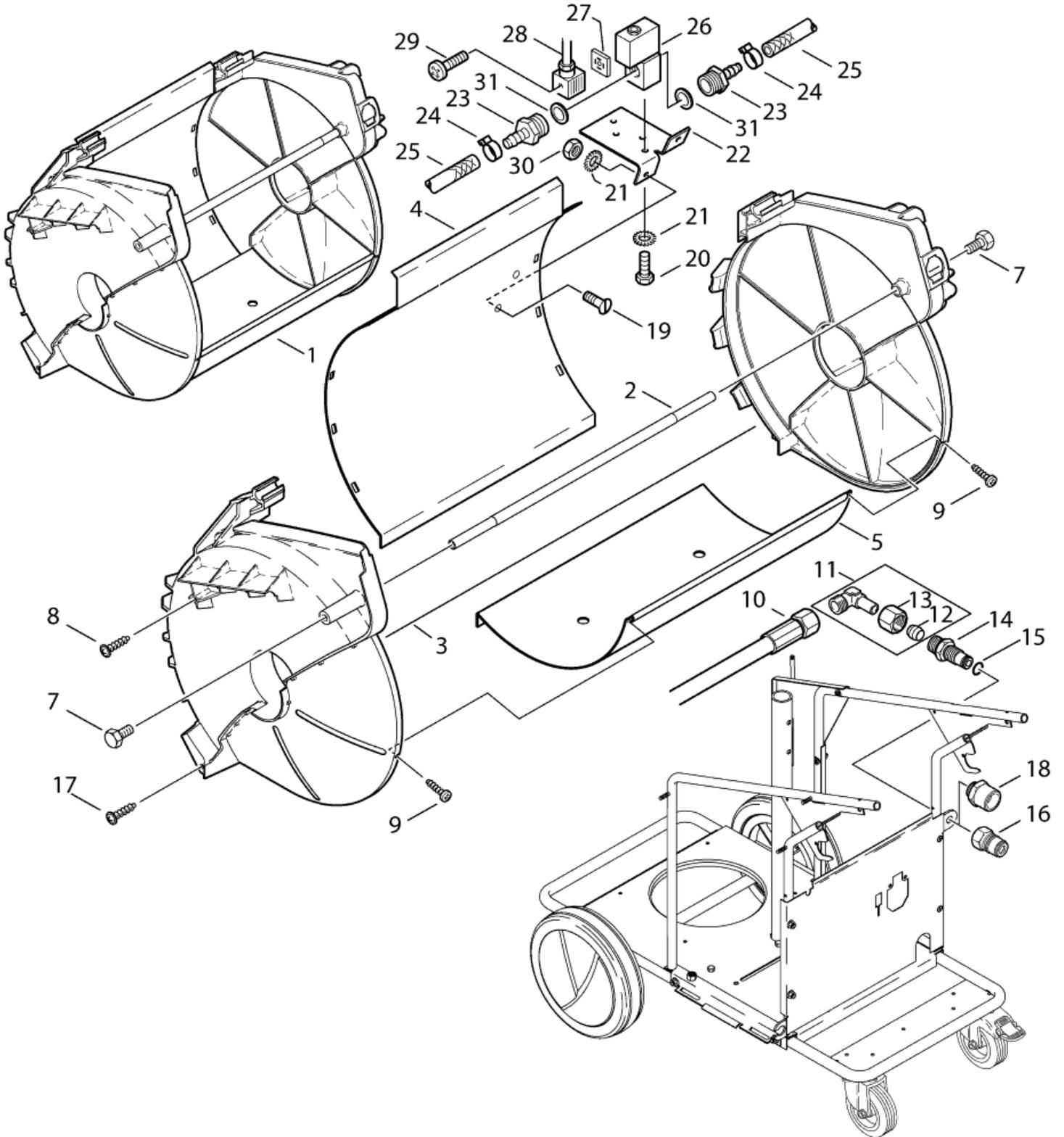
Basket

NEPTUNE 7 FA/FAX

26-02-2013

StyMiste ID
NEPTUNE39

43



Basket

NEPTUNE 7 FA/FAX

26-02-2013

StyMiste ID
NEPTUNE39

44

Pos	Vare nr.	Ant	Beskrivelse	
1	301000708	1	BASKET	CONTAINS *
2	301000668	1	GUIDE BAR Ø12X451	*
3	301001359	1	Hose Reel Cabinet Left	*
4	301000602	1	SHEET METAL 390X262X142	*
5	301000601	1	SHEET METAL 390X261X142	*
7	6557	2	Skrue, M8X16	
8	11565	2	Skrue Pt5X18	
9	18086	2	Metal Skrue	*
10	301000855	1	Ht Slange	N5+7-25
10	301000856	1	Ht Slange	N7, NOT 7-25
11	101118094	1	COUPLING KIT 90D ISO 8434 M18X1.5 THREAD	
12	1080	1	Skæring, Galv.	
13	1081	1	Tilslutningsmøtrik, Galv.	
14	301000627	1	Fitting	
15	42768	1	O-Ring	
16	1600493	1	"Lynkoblingsnippel 3/8" "	
17	43341	2	SCREW 5X30	

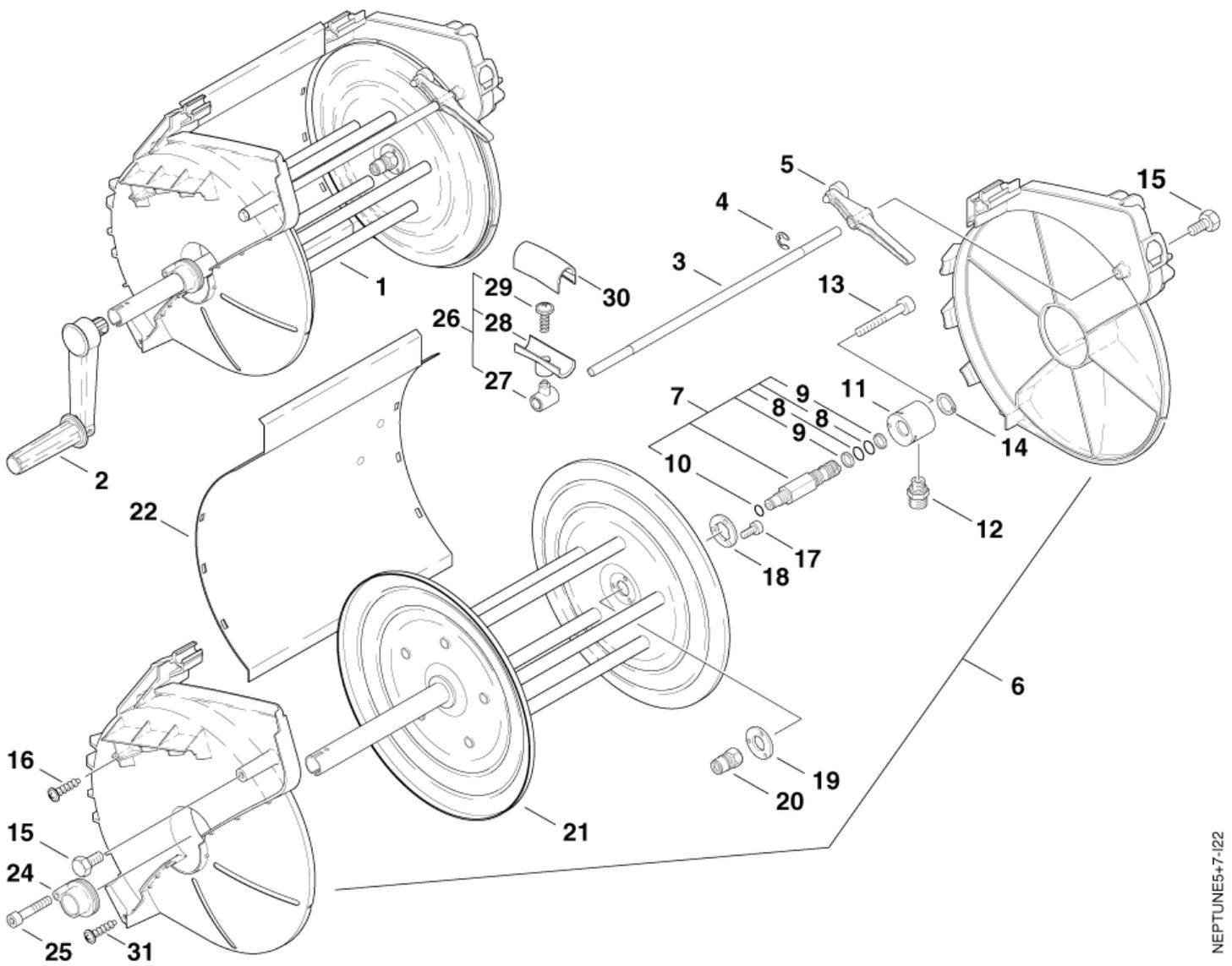
Hose reel x-models, NEPTUNE 5, 7

NEPTUNE 7 FA/FAX

26-02-2013

StyMiste ID
NEPTUNE40

45



Hose reel x-models, NEPTUNE 5, 7

NEPTUNE 7 FA/FAX

26-02-2013

StyMiste ID
NEPTUNE40

46

Pos	Vare nr.	Ant	Beskrivelse
0	301001131	1	Slangerulle 20 Mtr N5-7-8
1	301000851	1	Slangerulle
2	301000733	1	Drejehåndtag
3	301000668	1	GUIDE BAR Ø12X451
4	1814466	1	SAFETY WASHER D9 A2 DIN 6799
5	301000746	1	Bremse
6	301001359	1	Hose Reel Cabinet Left
7	301001096	1	Tryk gennemføring
8	19620	2	O-Ring
9	63792	2	Back-Up Ring
10	42768	1	O-Ring
11	301000624	1	Hus For Tryk gennemføring
12	54590	1	Forskruning
13	5100	1	Screw M6X45
14	32524	1	Sikringsring
15	6557	2	Skrue, M8X16
16	11565	2	Skrue Pt5X18
17	3913	3	Skrue M6X12
18	301000653	1	Skive
19	301000850	1	Washer Ø2
20	1600493	1	"Lynkoblingsnippel 3/8" "
21	301000698	1	Slangerulle 50M
22	301000602	1	SHEET METAL 390X262X142
24	301000849	1	Leje
25	5945	1	Skrue
26	301000780	1	Slangeføring Formonteret
27	301000672	1	HOSE GUIDE SLEEVE 33.2X2
28	301000676	1	Slangeføring Underdel
29	10028	1	Skrue
30	301000674	1	Slangeføring Overdel
31	43341	2	SCREW 5X30

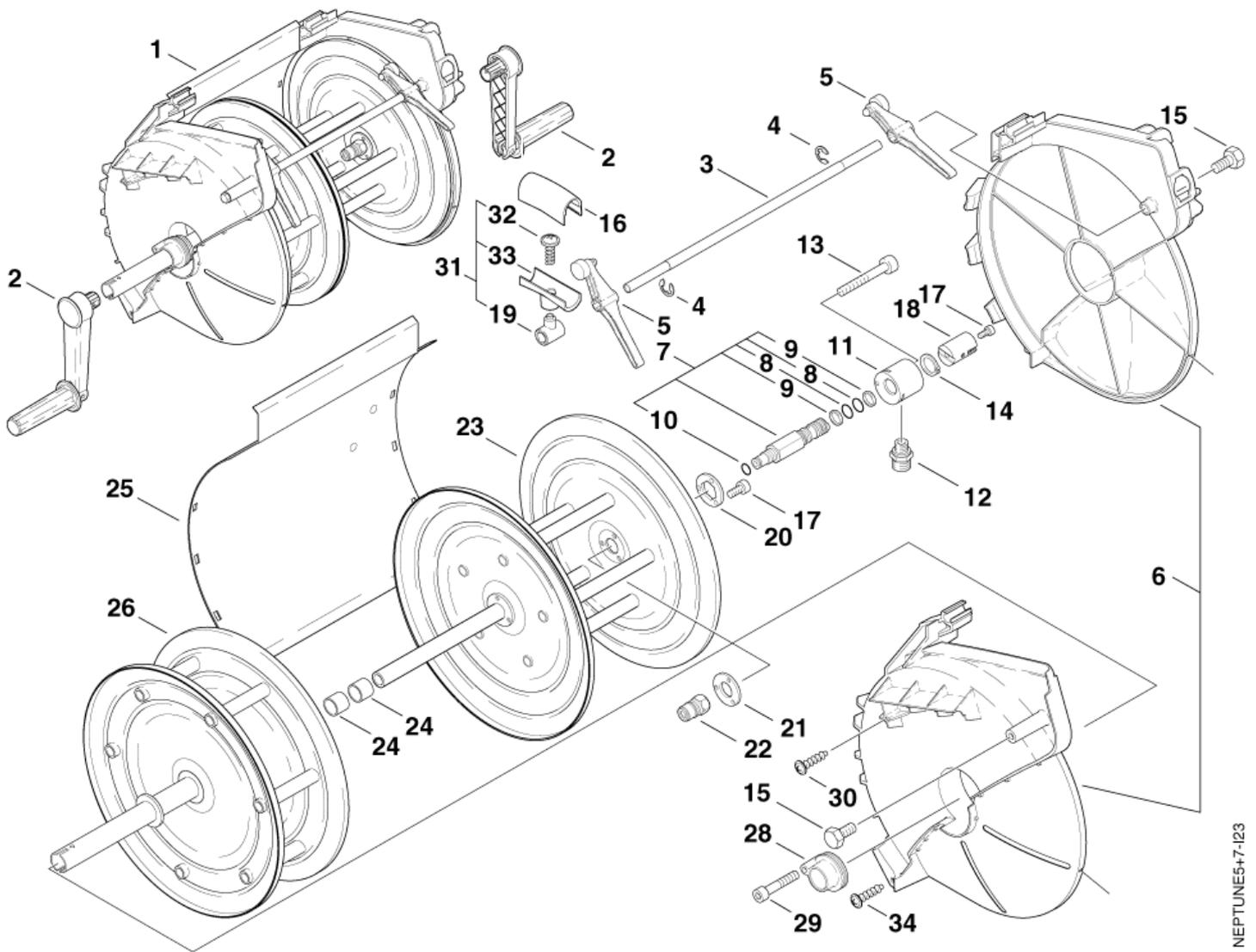
Hose reel - cord reel x2-models, NEPTUNE 5, 7

NEPTUNE 7 FA/FAX

26-02-2013

StyMiste ID
NEPTUNE41

47



NEPTUNE5+7-123

Hose reel - cord reel x2-models, NEPTUNE 5, NEPTUNE 7 FA/FAX

26-02-2013

StyMiste ID
NEPTUNE41

48

Pos	Vare nr.	Ant	Beskrivelse
0	301001130	1	Slange+Kabel F.Slanger.
1	301001130	1	Slange+Kabel F.Slanger.
2	301000733	2	Drejehåndtag
3	301000668	1	GUIDE BAR Ø12X451
4	1814466	2	SAFETY WASHER D9 A2 DIN 6799
5	301000746	2	Bremse
6	301001359	1	Hose Reel Cabinet Left
7	301001096	1	Tryk gennemføring
8	19620	2	O-Ring
9	63792	2	Back-Up Ring
10	42768	1	O-Ring
11	301000624	1	Hus For Tryk gennemføring
12	54590	1	Forskruing
13	5100	1	Screw M6X45
14	32524	1	Sikringsring
15	6557	2	Skrue, M8X16
16	301000674	1	Slangeføring Overdel
17	3913	4	Skrue M6X12
18	301000625	1	Adapter
19	301000672	1	HOSE GUIDE SLEEVE 33.2X2
20	301000653	1	Skive
21	301000850	1	Washer Ø2
22	1600493	1	"Lynkoblingsnippel 3/8" "
23	301000662	1	HOSE REEL 30M
24	301001179	2	BEARING BUSHING 22X 24X2
25	301000602	1	SHEET METAL 390X262X142
26	301000654	1	Kabeltrommel
28	301000849	1	Leje
29	5945	1	Skrue
30	11565	2	Skrue Pt5X18
31	301000780	1	Slangeføring Formonteret
32	10028	1	Skrue
33	301000676	1	Slangeføring Underdel
34	43341	2	SCREW 5X30

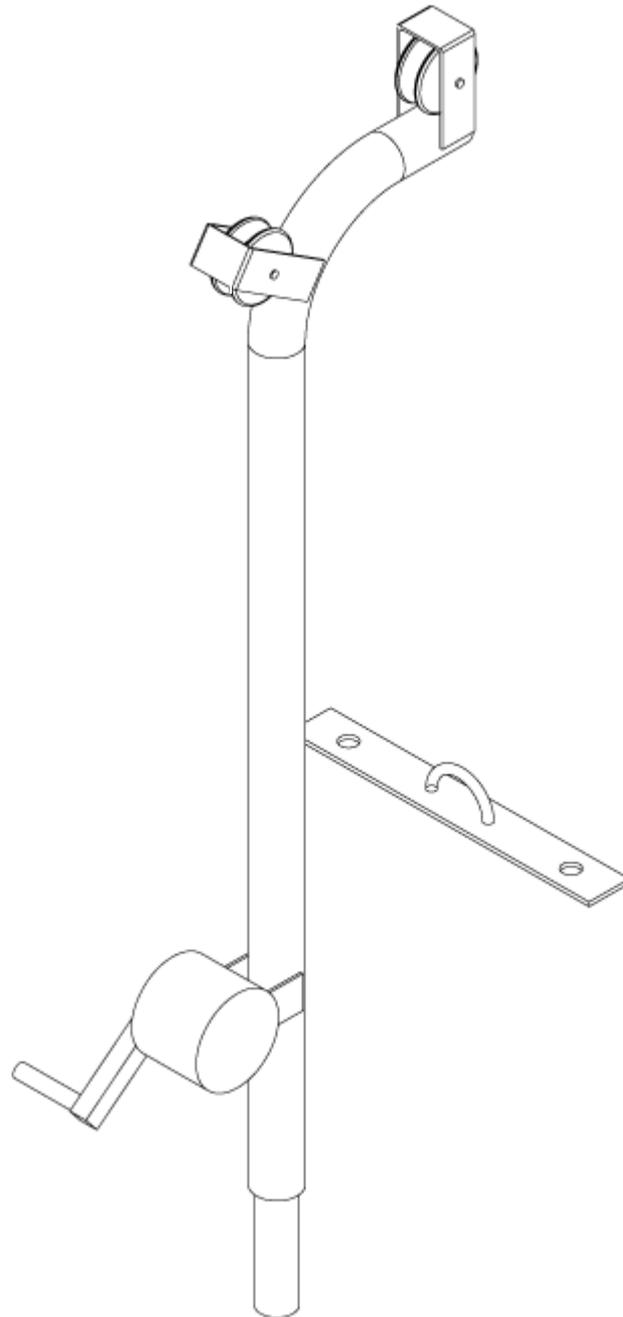
Service crane

NEPTUNE 7 FA/FAX

26-02-2013

StyMiste ID
NEPTUNE42

49



NEPTUNE5+7-124

Service crane

NEPTUNE 7 FA/FAX

26-02-2013

Stykliste ID
NEPTUNE42

50

Pos	Vare nr.	Ant	Beskrivelse
-----	----------	-----	-------------

-	301001078	1	Service Crane
---	-----------	---	---------------

Default accessoires

NEPTUNE 7 FA/FAX

26-02-2013

Stylid ID
NEPTUNE44

51

Ingen tegning

Default accessoires

NEPTUNE 7 FA/FAX

26-02-2013

StyMiste ID
NEPTUNE44

52

Pos	Vare nr.	Ant	Beskrivelse	
-	106403122	1	Spulehåndtag Ergo 2000	
-	106403123	1	Spulehåndtag Ergo 2000 Incl. Vario Press	
0	101119743	1	"Tornado+ 0550 1/8" "	7-25
0	101119747	1	"Tornado+ 0680 1/8" "	7-63
0	101119748	1	"Tornado+ 0700 1/8" "	7-63, 230/400V
0	106403010	1	Tornado Plus, Uden Dyse LænGD: 112 Cm.	
0	106403012	1	Tornado Plus, Uden Dyse LænGD: 208 Cm.	
1	1402072	1	Dampslange 20 M.	
1	6101766	1	Dampslange 10 M.	
2	106402190	1	Spulehåndtag Ergo 3000	Up to 2010
2	106402191	1	Spulehåndtag, Variopress	Up to 2010

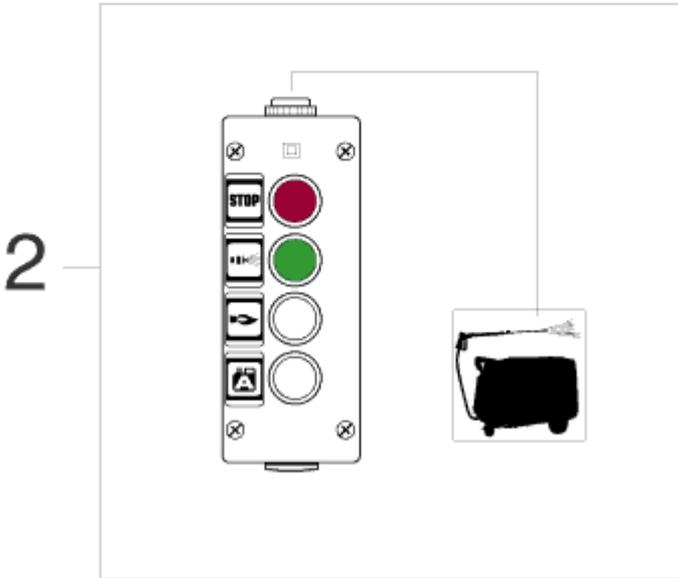
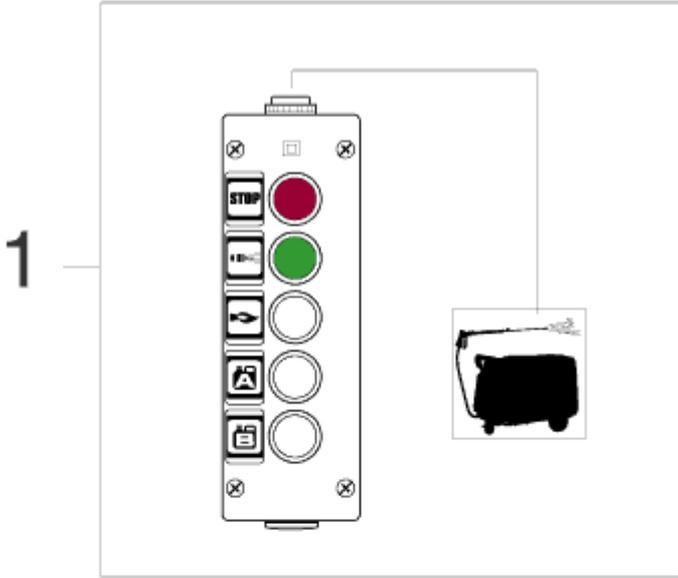
Remote control - accessory

NEPTUNE 7 FA/FAX

26-02-2013

StyMiste ID
NEPTUNE578

53



Remote control - accessory

NEPTUNE 7 FA/FAX

26-02-2013

Stykliste ID
NEPTUNE578

54

Pos	Vare nr.	Ant	Beskrivelse
1	301001356	1	REMOTE CONTROL 2X DETERGENT
2	301001355	1	Fjernbetjening NEPTUNE
NI	301001357	1	Electronic Unit For Remot E Control

Print for remote control

ANBEFALEDE RESERVEDELE

NEPTUNE 7 FA/FAX

26-02-2013

StyMiste ID
NEPTUNE7REC

55

Ingen tegning

ANBEFALEDE RESERVEDELE

NEPTUNE 7 FA/FAX

26-02-2013

StyMiste ID
NEPTUNE7REC

56

Pos	Vare nr.	Ant	Beskrivelse	
-	101119743	1	"Tornado+ 0550 1/8" "	"A"
-	101119747	1	"Tornado+ 0680 1/8" "	"A"
-	101119748	1	"Tornado+ 0700 1/8" "	"A"
-	106402190	1	Spulehåndtag Ergo 3000	"A"
-	106402191	1	Spulehåndtag, Variopress	"A"
-	106403010	1	Tornado Plus, Uden Dyse Længde: 112 Cm.	"A"
-	1402072	1	Dampslange 20 M.	"A"
-	6101766	1	Dampslange 10 M.	"A"
0	101117826	1	Blødgøringspumpe	"C"
	301001958	1	Totalcheck N7 Kit A	
	301001959	1	Totalcheck N7-63 Eu Kit B	
	301001960	1	TOTAL CHECK N7-63 NO	
	301002017	1	TOTAL CHECK N7-25	
0	5218433	1	Pump Oil Iso 150 1 L.	"A"
1	101117831	1	Monterings-Sæt	"C"
2	101117828	1	Antiscale Pump St-15 140M L 24V	"C"
2	107121501	2	Prop	"A"
2	301000615	1	Dæksel	"B"
2	301000680	1	Hoved Print	"A"
2	301000733	1	Drejehåndtag	"B"
2	301002123	1	Microprocessor	"A"
2	6101038	1	Stempel	"A"
2	6101042	1	Ventildæksel	"C"
2	62397	1	Drejeknap	"B"
2	7012	4	Møtrik	"C"
3	10028	1	Skrue	"A"
3	101117833	1	Slange Ø3/05, 0.6 Mm.	"C"
3	3000270	2	O-Ring 5,1X1,6 Nitril	"A"
3	3001179	1	O-Ring 39,6X2,4 Nitril	"A"
3	3205	1	Filterventil	"A"
3	6201545	1	Hus F. Strømningskontrol	"C"
4	19690	1	O-Ring 9,0 X 1,8	"A"
4	301000582	2	BUSHING Ø22X1.5X24	"C"
4	301000678	1	Display	"C"
4	301000889	1	Kedelblæsehjul	"C"
4	G120381	1	O-Ring 18X2 70 Gr Shore	"A"
5	101117798	1	Magnet Housing Cpl. Kit	"A"
5	12496	3	Møtrik M6	"C"
5	16443	1	O-Ring	"A"
5	3001740	1	O-Ring 7,66X1,78 Nitril	"A"
6	101117799	1	Housing For Flow Switch Kit	"B"
6	301000732	1	Termo Sikring	"B"

A-Parts. Wearing parts. Number of machines x1,2

B-Parts. Wearing parts. Number of machines x0,6

C-Parts: Wearing parts. Number of machines x0,4

ANBEFALEDE RESERVEDELE

NEPTUNE 7 FA/FAX

26-02-2013

StyMiste ID
NEPTUNE7REC

57

Pos	Vare nr.	Ant	Beskrivelse	
6	301000881	1	Burner Motor 0V/50-60Hz	"C"
6	301000882	1	Blæser Motor	"C"
6	49473	1	Manometer 0-250 Bar	"B"
6	62706	1	O-Ring	"A"
7	101117800	1	Reed Switch Kit	"B"
7	101117988	1	Oil Pump Sp55B 431 Kit	"A"
7	101117989	1	OIL PUMP SP55B 4316M KIT	"A"
7	101406100	1	Kemislange, 5 Meter	"C"
7	16443	2	O-Ring	"A"
7	301000888	1	Brændstofpumpe	"A"
7	301000934	1	Holder Flammeføler	"C"
7	301001096	1	Trykgennemføring	"A"
7	301001348	1	FUEL PUMP 24V KEROSENE	"A"
7	6100602	1	Spændering	"A"
7	63347	1	Svømme Ventil	"A"
7	909100207	1	Drejeknap	"C"
8	1226	1	Kobling	"A"
8	3000825	1	O-Ring 20,24X2,62 Nitril	"A"
8	301000729	1	Flammeføler	"A"
8	301000730	1	Temperaturføler	"B"
8	301001099	1	Spiral NEPTUNE 7	"C"
8	34218	1	Filter For Float Valve Ku	"A"
8	9868	1	O-Ring 10.0X2.5	"A"
9	301000561	1	Dæksel	"C"
9	301000729	1	Flammeføler	"A"
9	301000791	1	Pump Np5 15.20N 15L 200B	"A"
9	301000916	1	Isolation	"A"
9	6100611	1	N-Lejedæksel	"B"
9	6221773	1	Reedkontakt Komp.	"C"
9	62877	1	Svømmer	"A"
9	909100206	2	Drejeknap	"C"
10	1119319	1	Rep.Sæt Strømningskontrol	"B"
10	1802529	1	Seeger Springring	"B"
10	19690	1	O-Ring 9,0 X 1,8	"A"
10	301000730	1	Temperaturføler	"A"
10	62878	1	Gummimenbran	"B"
11	1603430	2	Omløber Ø4	"C"
11	24347	2	O-Ring	"B"
11	301000855	1	Ht Slange	"C"
11	301000856	1	Ht Slange	"C"
11	301000879	1	Tændingstransformator	"C"
11	301001096	1	Trykgennemføring	"A"

A-Parts. Wearing parts. Number of machines x1,2

B-Parts. Wearing parts. Number of machines x0,6

C-Parts: Wearing parts. Number of machines x0,4

ANBEFALEDE RESERVEDELE

NEPTUNE 7 FA/FAX

26-02-2013

StyMiste ID
NEPTUNE7REC

58

Pos	Vare nr.	Ant	Beskrivelse	
11	3200623	1	Leje	"A"
11	6184074	2	Kørehjul	"C"
12	1119566	1	Rep.Sæt Kontrav entil	"A"
12	28877	1	Switch	"C"
12	3004226	1	O-Ring D13X3	"A"
12	301000879	1	Tændingstransf ormotor	"C"
12	301001000	1	Doserv entil	"B"
12	301001196	1	Float Switch	"A"
12	46363	2	Låsering	"C"
12	62401	1	Hus F. Micro Switch	"B"
12	6301166	1	Trykstempe l-Keramik C3	"B"
12	63058	1	Tilslutningssty kke	"B"
13	301000914	1	Støtte	"C"
13	3200672	1	Feder	"C"
14	301000187	1	Blænde	"C"
14	301000554	2	Drejehjul	"C"
14	301000644	1	Brændstof måler	"B"
14	301000731	1	Mikrokontakt	"A"
14	301000858	1	Tændingskabel	"B"
14	301000859	2	Tændingskabel	"B"
14	301001103	1	Blænde	"C"
14	56519	1	O-Ring	"A"
14	6100610	1	Cylinderblok	"C"
14	909100141	1	Slange	"C"
15	301000541	1	Flammerør NEPTUNE 5+7	"C"
15	301000905	1	Stempel	"A"
15	6101750	1	D-Lejedæksel Komp. 03	"A"
16	107120700	1	Tryk ring & Støttering	"A"
16	17710	1	Rør	"C"
17	107121503	1	Banjo Bolt, Inlet	"C"
17	301001068	1	Oliedy se	"A"
18	101117724	1	POWER TRANSFORMER 230/400-24/8V T70	"C"
18	1756	1	Filter Patron'	"A"
18	24347	1	O-Ring	"A"
18	301001059	1	Transf ormer	"C"
18	301001060	1	TRANSFORMER 115AT 200V 2	"C"
18	301001196	1	Float Switch	"B"
18	57571	1	Kontaktstempel	"A"
18	63538	1	Kontakt Stempel	"A"
18	64314	1	Rep.Sæt Ventilstempel	"A"
19	101117806	1	Hp Hose Cpl. Kit	"B"
19	1119317	1	Rep.Sæt Udluftningsv entil	"A"

A-Parts. Wearing parts. Number of machines x1,2

B-Parts. Wearing parts. Number of machines x0,6

C-Parts: Wearing parts. Number of machines x0,4

ANBEFALEDE RESERVEDELE

NEPTUNE 7 FA/FAX

26-02-2013

StyMiste ID
NEPTUNE7REC

59

Pos	Vare nr.	Ant	Beskrivelse	
19	16443	1	O-Ring	"A"
19	40907	1	O-Ring	"A"
19	6231	1	Fjeder	"A"
19	909100144	1	Fjederskive	"C"
19	909100173	1	O-Ring	"A"
20	103822306	1	Contactoer Cjx2-D18-B7 24V	"B"
20	103822313	1	Contactoer 12-25A 50/60Hz 24V	"B"
20	103822317	1	Contactoer Cjx2-D32-B7 24V	"B"
20	1600493	1	"Lynkoblingsnippel 3/8" "	"A"
20	301001292	1	Filter-Cup Ø98,8	"B"
20	3200656	1	Nåleleje Ina K 40X46X17	"A"
20	62697	1	Banjo Bolt	"C"
20	909100143	1	Skrue	"C"
20	9868	1	O-Ring 10.0X2.5	"A"
21	101119410	1	Rep. Sæt Pakninger	"A"
21	101406100	1	Kemislange, 5 Meter	"B"
21	301000415	1	CAPACITOR 80MICRONFOR 420V	"A"
21	3200615	1	Rulleleje	"A"
21	3812385	1	Sikring Ø5X20	"A"
21	49461	1	O-Ring	"A"
22	107120708	1	Skråskive 4	"A"
22	107120710	1	Skråskive 6	"A"
22	107120716	1	Skråskive 12	"A"
22	107120719	1	WOBBLE DISC NO 17	"A"
22	6101069	1	Låsering F. Fjederstyr	"A"
22	62706	1	O-Ring	"A"
22	9523	1	O-Ring	"A"
23	1802511	1	Seegerring U 28 X 1,5	"A"
23	301000857	1	Ht Slange	"A"
23	301002926	1	Filter	"A"
23	32091	1	O-Ring	"A"
24	301002458	1	Reed Contact	"A"
24	3200664	1	Nåleleje	"A"
26	107120704	1	Lejeskive	"A"
26	26817	1	Relæ	"C"
27	6301368	1	Stagbolt	"C"
28	11060	1	Startrelæ	"B"
28	301000634	1	Dæksel	"C"
29	1118580	1	Rep.Sæt F. Omløbsventil	"A"
32	301000293	1	Kontakt Stjerne/Trekant	"B"
40	301002353	1	Current Limiter 5W	"A"
42	301001991	1	CIRCUIT BOARD 1PH 24VAC	"A"

A-Parts. Wearing parts. Number of machines x1,2

B-Parts. Wearing parts. Number of machines x0,6

C-Parts: Wearing parts. Number of machines x0,4

ANBEFALEDE RESERVEDELE

NEPTUNE 7 FA/FAX

26-02-2013

Styliste ID
NEPTUNE7REC

60

Pos	Vare nr.	Ant	Beskrivelse	
42	301002469	1	CIRCUIT BOARD 1PH 24VAC	"B"
49	1119310	1	Rep.Sæt F. Ventiler	"A"
50	1119571	1	Pakningssæt (Reduceret)	"A"
51	1119820	1	Rep.Sæt Olieætning 03	"A"
52	1119570	1	Rep.Sæt Pakninger C3	"A"
77	103822301	1	Contactore Cjx2-D12-B7 24V	"B"
95	1118512	1	Rep.Sæt, Sikkerhedsventil	"A"
99	301001195	1	Rep. Sæt Omløbsventil	"A"

A-Parts. Wearing parts. Number of machines x1,2
B-Parts. Wearing parts. Number of machines x0,6
C-Parts: Wearing parts. Number of machines x0,4