

40H/HA -MASTER, -FORCE, -ENERGY

Model:
1640
1840
2340
3040
3840
40HA MASTER
840



Stykliste Dansk

28-07-2010

Nilfisk
ALTO
Why Compromise

www.nilfisk-alto.com

Indholdsfortegnelse

40H/HA -MASTER, -FORCE, -ENERGY

Summary	3
Motor pump unit	6
Auto start/stop housing	10
Electric components	12
Boiler	16
Flow switch	19
Fuel tank	21
Cover for float chamber	23

Summary

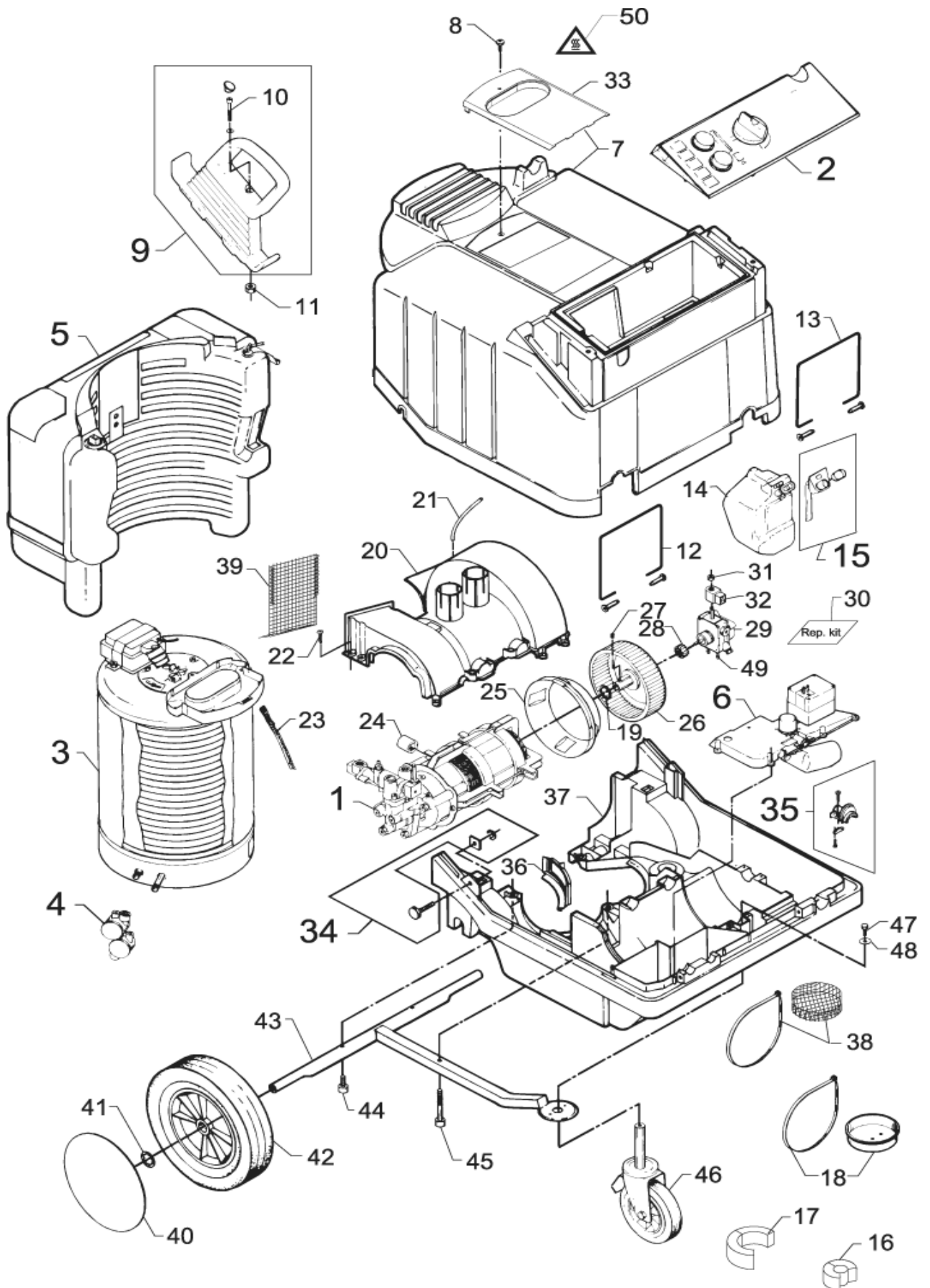
40H/HA -MASTER, -FORCE, -ENERGY

28-07-2010

Stykiste ID

40HA02

3



Summary

40H/HA -MASTER, -FORCE, -ENERGY

28-07-2010

StyKiste ID

40HA02

4

Pos	Vare nr.	Ant	Beskrivelse	EAN
1		1	USE LINK	MOTOR PUMP UNIT
2		1	USE LINK	ELECTRICAL COMPONENTS
3		1	USE LINK	BOILER
4		1	USE LINK	FLOW SWITCH
5		1	USE LINK	FUEL TANK
6		1	USE LINK	COVER F. FLOAT CHAMBER
7	6185942	1	KABINET M. KEDELSKJOLD	5701715236
8	6184116	1	SKRUE M6X14	5701715078
9	1119211	1	REP.SÆT KØREHÅNDTAG H+V	5701715019
10	1813385	2	SKRUE M8X60	5701715030
11	6184920	2	MØTRIK	5701715008
12	6184938	1	KABINETHÆNGSEL KOMP.	5701715079
13	6184937	1	KABINETHÆNGSEL KOMP.	5701715079
14	6184106	1	NO SCALE CONTAINER	5701715078
15	1119216	1	REP. SÆT, INDIKATOR	5701715019
16	1119388	1	PROPSÆT	16/18/3040H/HA, ENERGY
17	1119399	1	PROPSÆT	3840HA, MASTER, FORCE
18	1119259	1	PLUG KIT (98)	0840H/HA
19	6184408	1	AFSTANDSSKIVE	5701715078
20	6184056	1	BLÆSERHUS	5701715078
21	5206388	1	HOSE PVC 3/ 5	800MM
22	1813989	11	SKRUE 35X16	5701715008
23	6184736	1	STROP	5701715078
24	6184676	4	VIBRATION DAMPER	5701715078
25	6184404	1	INDSUGNINGSTRA GT	5701715078
26	6184405	1	BLÆSERHJUL	5701715015
27	1800325	1	CRA TER-POINT SCREW M8X10	5701715026
28	6184279	1	KOBLING F. OLIEPUMPE	5701715078
29	101117978	1	FUEL PUMP COMPLETE 24V	4005337179
30		1	REP.SÆT DANFOSS OLIEPUMPE	5701715019
32		1	SPOLE F. SUNTEC	5701715044
32		1	SPOLE (DANFOSS)	5701715044
33	6184329	1	KEDELSKJOLD	FROM 01.01.99
34	1119218	1	REP. SÆT, KABINETSKRUE	5701715019
35	1119219	1	REP.SÆT KABELAFLASTNING	5701715019
36	6184403	1	BLÆSERTÆTNING	5701715078
37	6184058	1	CHASSIS	5701715013
38	6184805	1	GRATING F. AIR ADJUSTING DAMPE	5701715125
39	6184806	1	GITTER F. LUFTINDTAG	5701715125
40	301000332	2	NAV KAPSEL, SORT	FORCE, ENERGY
40	6184136	2	NAV KAPSEL ALTO BLÅ	5701715236
41	1813799	2	LÅSESKIVE Ø 25	5701715031

Summary

40H/HA -MASTER, -FORCE, -ENERGY

28-07-2010

Stykliste ID 40HA02

5

Pos	Vare nr.	Ant	Beskrivelse	EAN
42	6184074	1	KØREHJUL	5701715078
43	6184200	1	HJULOPHÆNG	5701715078
44	1802636	2	INSEX M6X12	5701715028
45	1814573	1	SKRUE M6X35	5701715117
46	6241052	1	DREJEHJUL Ø150	5701715114
47	2753	1	SCREW M8X20	4005337027
48	1813377	1	SKIVE 8,4X25X2	5701715030
49	1600527	2	SLANGESTUDS Ø6,5X1/4"	5701715023
50	4210066	1	ADVARSELSLABEL, VARMEOVER.	5701715271

Motor pump unit

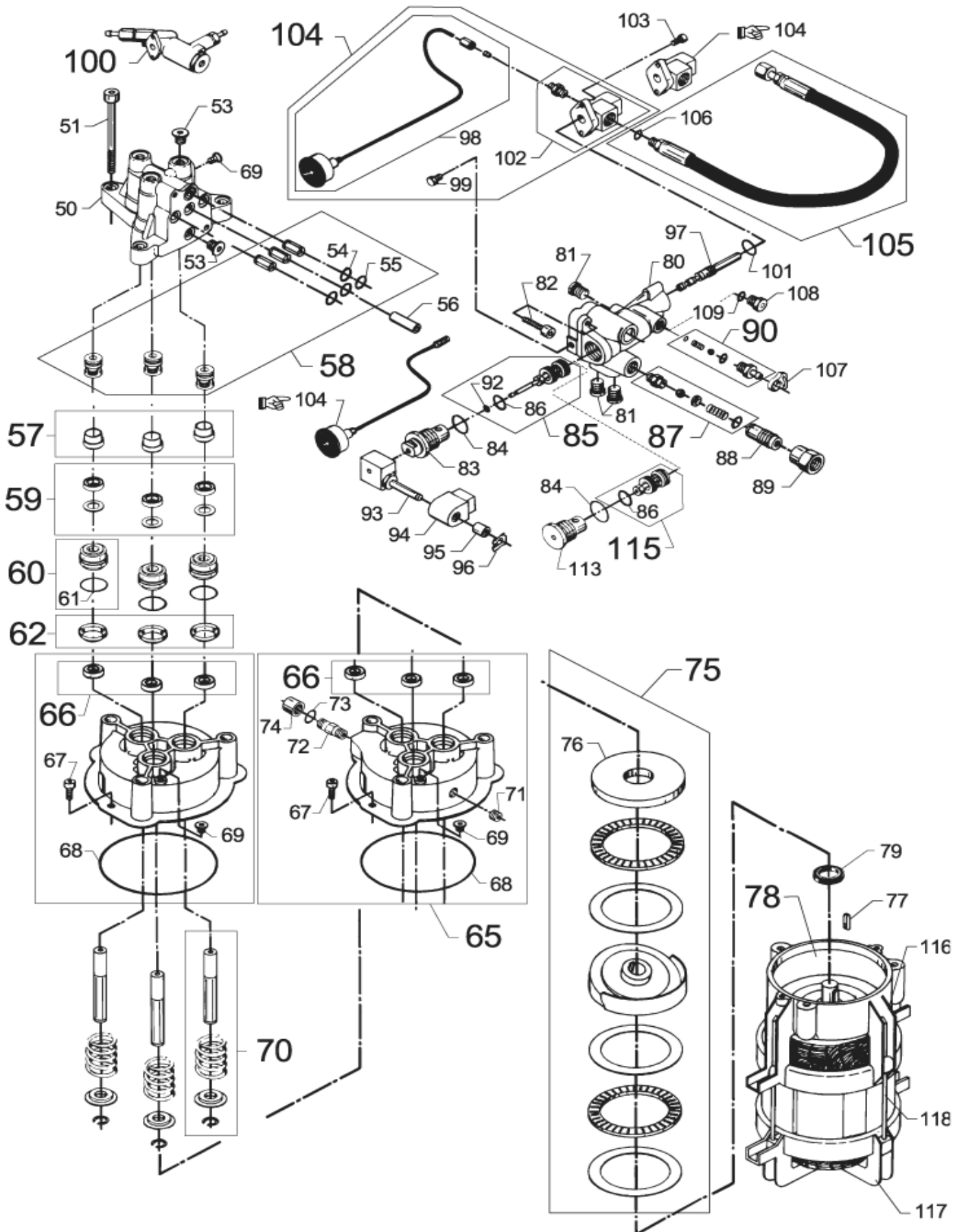
40H/HA -MASTER, -FORCE, -ENERGY

28-07-2010

StyKiste ID

40HA04

6



Motor pump unit

40H/HA -MASTER, -FORCE, -ENERGY

28-07-2010

StyKiste ID

40HA04

7

Pos	Vare nr.	Ant	Beskrivelse		EAN
-	5218433	1	PUMP OIL ISO 150 1 L.		5701715046
-	6189413	1	INSTRUCTION MANUAL 3840HA	DK-N-S-SF	5701715079
-	6189414	1	INSTRUCTION MANUAL 3840HA	GB-D-F-NL-E-P-I-GR	5701715012
-	6189446	1	INSTRUKTIONSBOG 40H/HA	DK-N-S-SF	5701715017
-	6189447	1	INSTRUKTIONSBOG 40H/HA EU	GB-D-F-NL-E	5701715113
-	6189448	1	INSTRUCTION MANUAL 40H/HA	USA	5701715005
-	6189449	1	INSTRUCTION MANUAL 40H/HA	CDN	
50	6187132	1	TOPSTYKKE		5701715277
51	1813393	3	SKRUE M10X100		5701715030
53	6180906	3	PROP M. O-RING		5701715077
54	3001807	1	O-RING 16X1,2 NITRIL		5701715038
55	3001070	3	O-RING Ø13,1X1,6 NITRIL		5701715037
56	6120624	1	AFSTANDSBØSNING		5701715067
57	6183050	1	AFSTANDSSTYKKE (3 STK.)		5701715271
58	1119209	1	REP.SÆT, VENTILSYSTEM		5701715019
59	1119212	1	REP.SÆT, STØTTER/MANCHET		5701715019
60	6180910	3	TRYKRING, KOMPL.		5701715077
61	3004009	3	O-RING 30,0 X 2,0		5701715038
62	6183051	1	AFSTANDSTYKKE (3 STK.)		5701715271
65	6180911	1	CYLINDERBLOK KOMPL.	UP TO 20.04.99	5701715077
65	6180947	1	CYLINDERBLOK M. MANCHET	FROM 19.04.99	5701715240
66	1117642	1	U-MANCHET (3STK.)		5701715278
67	1814573	2	SKRUE M6X35		5701715117
68	3003886	1	O-RING 120,4 X 1,78		5701715038
69	6180912	2	PROP 1/8" M. O-RING		5701715077
70	1119201	3	REP.SÆT KERAMIKSTEMPEL		5701715019
70	1119202	3	REP.SÆT KERAMIKSTEMPEL		5701715019
71	1602325	1	RØRPROP 1/4"	FROM 19.04.99	5701715024
72	6184810	1	NIPPLE TUBE 1/4"	FROM 19.04.99	5701715274
73	3002185	1	O-RING	FROM 19.04.99	5701715038
74	6184807	1	SOCKET	FROM 19.04.99	5701715259
75	1119205	1	REP.SÆT SKRÅSKIVE 3340C	0840H/HA, 60HZ, UP TO 01.03.94	5701715019
75	1119220	1	REP.KIT WOBBLE DISC 1556/Ø95	1640H/HA,(GB) 50HZ, UP TO 01.01.94	5701715019
75	1119221	1	REP.KIT WOBBLE DISC 1557/Ø95	1840H/HA, 50HZ, UP TO 02.10.95	5701715019
75	1119222	1	REP.SÆT SKRÅS+LEJER 3040H	3040H/HA, 50HZ, UP TO 02.10.95	5701715019
75	1119223	1	REP.KIT WOBBLE DISC 1559/Ø95	1640H/HA, 60HZ, (1440H) UP TO 01.03.94	5701715019
75	1119224	1	REP.KIT WOBBLE DISC 1560/Ø95	1840H/HA, 60HZ, UP TO 01.03.94	5701715019
75	1119225	1	REP.KIT WOBBLE DISC 3040H/60HZ	3040H/HA, 60HZ, UP TO 01.10.95	5701715019
75	1119647	1	WOBBLE DISC/BEARINGS 2460/Ø70	1840H/HA, 60HZ, FROM 01.03.94	5701715021
75	1119648	1	REP.SÆT SKRÅSKIVE/LEJER	1640H/HA, 50HZ, UP TO 01.01.94	5701715021
75	1119648	1	REP.SÆT SKRÅSKIVE/LEJER	1640H/HA, 50HZ, FROM 01.01.94	5701715021
75	1119649	1	WOBBLE DISC/BEARINGS 2452/Ø70	0840H/HA, 60HZ, FROM 01.03.94	5701715021

Motor pump unit

40H/HA -MASTER, -FORCE, -ENERGY

28-07-2010

Stykliste ID

40HA04

8

Pos	Vare nr.	Ant	Beskrivelse		EAN
75	1119653	1	WOBBLE DISC/BEARINGS 2459/İ70	1640H/HA, 60HZ, (1440H) FROM 01.03.94	5701715021
75	1119655	1	REP.SÆT SKRÅSKIVE/LEJER	3840HA (60HZ), 40HA MASTER	5701715021
75	1119656	1	REP.SÆT SKRÅSKIVE/LEJER	3840HA (50HZ)	5701715021
75	1119681	1	WOBBLE DISC/BEARINGS 2457/İ70	1840H/HA, 50HZ, FROM 02.10.95	5701715021
75	1119688	1	REP.SÆT F. SKRÅSKIVE	3040H/HA, 50HZ, FROM 02.10.95 + ENERGY	5701715021
75	1119689	1	REP.SÆT SKRÅSK./LEJER	3040H/HA, 60HZ, FROM 01.10.95	5701715007
75	1119826	1	WOBBLE DISC/BEARINGS REP.KIT	2340HA (60HZ)	5701715118
76	6181518	1	BEARING TRACK	3 -, UP TO 02.10.95	5701715077
76	6181518	1	BEARING TRACK	1-, 50HZ - UP TO 01.01.94	5701715077
76	6181518	1	BEARING TRACK	1-, 60HZ - 01.03.94	5701715077
76	6182479	1	LEJESKIVE	1-, 50HZ - FROM 01.01.94	5701715078
76	6182479	1	LEJESKIVE	1-, 60HZ - 01.03.94	5701715078
76	6182479	1	LEJESKIVE	3 -, FROM 02.10.95	5701715078
77	3202421	1	FEDER "A" 6X6X30		5701715039
78	6183390	1	MOTOR 3X400/230V 50	3X380/220V, 50 HZ - 3X380-440V, 60 HZ	5701715007
78	6183390	1	MOTOR 3X400/230V 50	USE # 6183390: 3X380-440 V, 60 HZ	5701715007
78	6183391	1	MOTOR 2.6KW 50HZ 3X400V	3X380/220 V, 50 HZ	5701715128
78	6183392	1	MOTOR 2.3KW 50HZ 1X240V	1X240 V, 50 HZ	5701715007
78	6183393	1	MOTOR 4.2KW 50HZ 3X415V	3X415/440 V, 50 HZ	5701715007
78	6183394	1	MOTOR 2.3KW 50HZ 1X220V	1X220/230 V, 50 HZ	5701715007
78	6183395	1	MOT 4.2KW 60HZ 3X220V UL/CSA	3X230 V, 60 HZ - 3X220/440, 60 HZ	5701715007
78	6183396	1	MOTOR 4.2KW 50/60HZ 3X220V	3X200V, 50 HZ - 3X200V, 60 HZ	5701715012
78	6183399	1	MOTOR 2.1KW 50HZ 1X110V	1X110 V, 50HZ	5701715126
78	6183402	1	MOT 2.6KW 60HZ 1X220V UL/	1X220 V, 60 HZ	5701715007
78	6183403	1	MOTOR 2.3-2.6KW 60HZ 1X220V	1X220 V, 60 HZ	5701715116
78	6183404	1	MOTOR 1.5KW 60HZ 1X115V U	1X115 V, 60 HZ	5701715007
78	6183405	1	MOTOR 4,6 KW 400/230/50	3X400/230 V, 50 HZ - 3X440/220 V, 60 HZ	5701715007
78	6183407	1	ELEC. MOTOR W. KEY 3X415-44	3X415 V, 50HZ	5701715007
78	6183408	1	MOTOR 3.0KW 60HZ 1X220V	1X220 V, 60 HZ	5701715210
79	1119671	1	REP.SÆT AKSELTÆTNINGSRING		5701715021
80	6181477	1	VENTILHUS		5701715231
81	6180913	3	BLÆNDPROP M. O-RING		5701715077
82	1803345	2	SKRUE M8X30		5701715028
83	6184525	1	PROP		5701715078
84	3001963	1	O-RING 22X3 NITRIL		5701715038
85	1119227	1	REP.SÆT VENTILKEGLE	08/16/1840H	5701715020
85	1119228	1	REP.SÆT VENTILKEGLE	3040H	5701715020
85	1119247	1	REP.SÆT VENTILKEGLE	08/16/1840HA	5701715020
85	1119248	1	REP.SÆT VENTILKEGLE	(2340HA), 20/3840HA, MASTER, ENERGY, FORCE	5701715020
86	3003860	1	O-RING 13,95 X 2,62		5701715038
87	1118512	1	REP.SÆT, SIKKERHEDSVENTIL		5701715019
88	6100940	1	JUSTERSKRUE		5701715063

Motor pump unit

40H/HA -MASTER, -FORCE, -ENERGY

28-07-2010

Stykliste ID

40HA04

9

Pos	Vare nr.	Ant	Beskrivelse	EAN
89	6100928	1	KONTRAMØTRIK	5701715063
90	1119406	1	REP.SÆT KONTRAVENTIL	5701715251
92	3000387	1	O-RING 3,1X1,6 NITRIL	5701715037
93	6184930	1	DAMPTRIN	5701715078
94	3820305	1	SPOLE F. SUNTEC	5701715044
95	6184533	1	BØSNING	5701715078
96	1813591	1	LÅSECLIPS	5701715031
97	6180916	1	INJEKTORDYSE M. O-RING	5701715077
98	6184949	1	MANOMETER M/RØR KOMP.	5701715013
99	6181542	1	PROP F. MANOMETER	5701715077
101	3001674	1	O-RING 19,2 X 3,0	5701715038
102	6184934	1	AFGANGSVINKEL, KOMPL.	5701715079
103	1813484	2	SKRUE INSEX M6X16	5701715030
104	1119691	1	REP.SÆT FOR MANOMETER	5701715021
			40H UPGRADE KIT	
105	1450000	1	INTERN HØJTRYKSSLANGE	5701715023
106	3000072	1	O-RING 10,1X1,6 NITRIL	5701715037
107	1814029	1	SPÆNDEBÅND	5701715031
108	6105533	1	PROP	5701715065
109	3000072	1	O-RING 10,1X1,6 NITRIL	5701715037
113	6180650	1	PROP	5701715077
115	6184941	1	REP.SÆT VENTILKEGLE 3.0KW	5701715236
118	6180939	4	STUD	5701715311

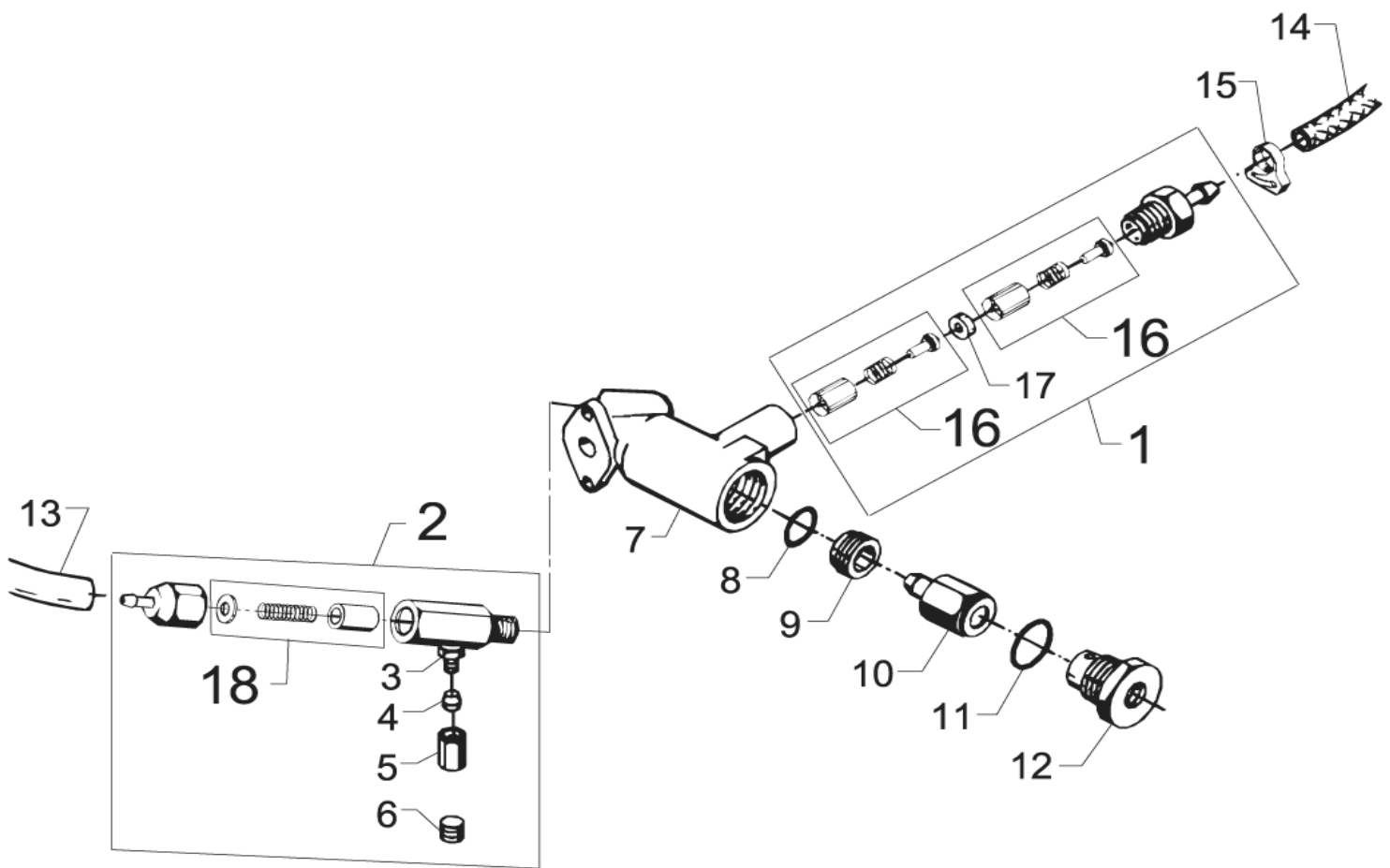
Auto start/stop housing

40H/HA -MASTER, -FORCE, -ENERGY

28-07-2010

StyKiste ID 40HA06

10



Auto start/stop housing

40H/HA -MASTER, -FORCE, -ENERGY

28-07-2010

Stykliste ID

40HA06

11

Pos	Vare nr.	Ant	Beskrivelse	EAN
1	1119318	1	REP.SÆT F. KONTRAVENTIL	5701715020
2	1119288	1	REP.SÆT UDLUFTNINGSVENTIL	5701715017
3	1603422	1	LIGEFORSKRUNING Ø4X1/8"	5701715024
4	1603448	1	SKÆRERING Ø4	5701715024
5	1603430	1	OMLØBER Ø4	5701715024
6	1602333	1	RØRPROP 1/8"	5701715024
7	6401819	1	HUS F. AUT. START/STOP	5701715100
8	3001112	1	O-RING 10X3	5701715037
9	6201534	1	SÆDE	5701715081
10	6350463	1	KONTRAVENTIL, KOMPL.	5701715095
11	3000825	1	O-RING 20,24X2,62 NITRIL	5701715037
12	6401817	1	TILSLUTNINGSPROP START/ST	5701715100
13	5206636	1	PVC-SLANGE, KLAR Ø6/Ø10	5701715046
14	5206054	1	HOSE EXT 12X3. 0 BLUE	4005337171
15	1801034	2	HOSE CLIP 13MM	5701715027
16	1119566	2	REP.SÆT KONTRAVENTIL	5701715020
17	6201535	1	SÆDE F. KONTRAVENTIL	5701715081
18	1119317	1	REP.SÆT UDLUFTNINGSVENTIL	5701715020

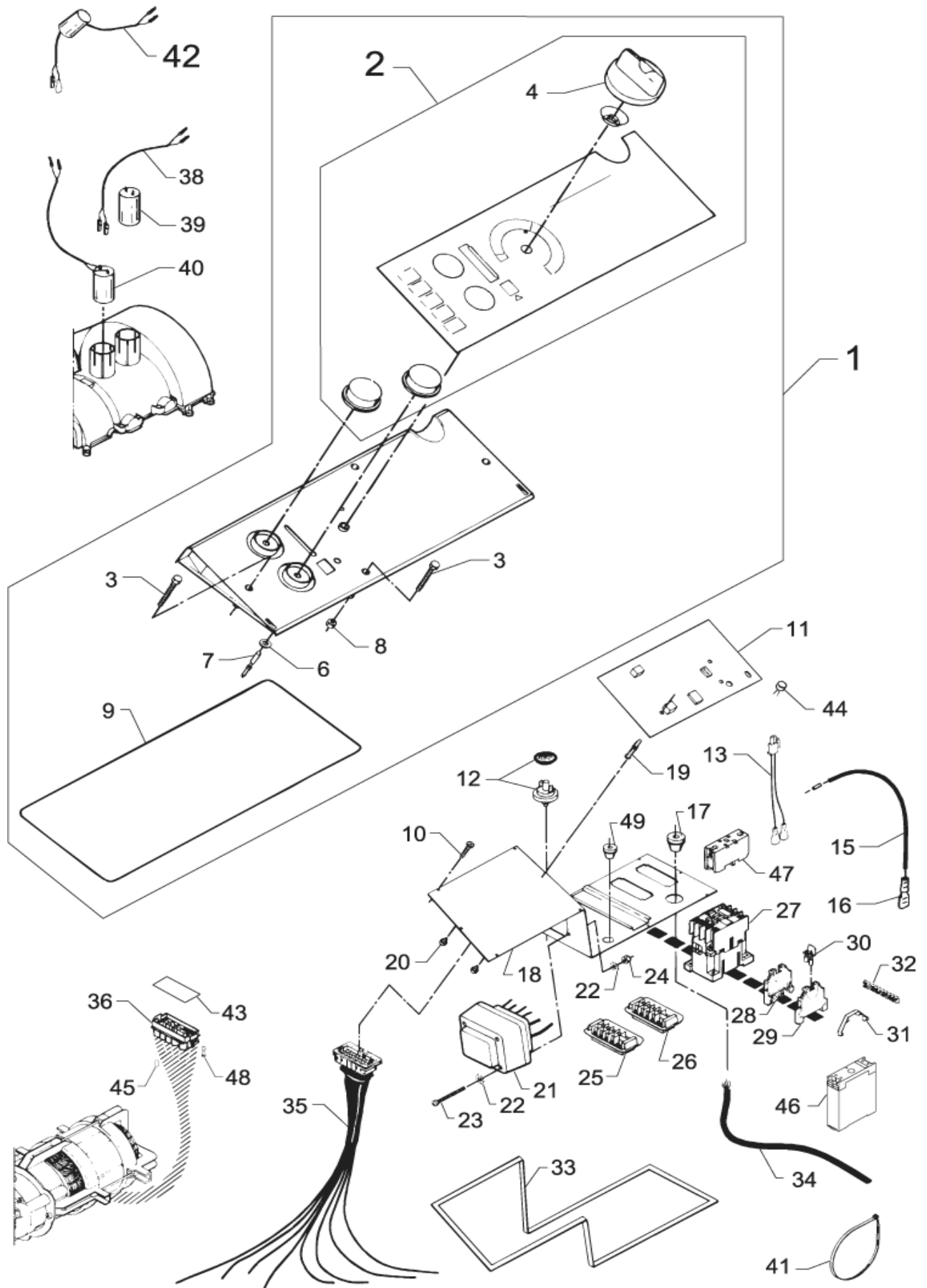
Electric components

40H/HA -MASTER, -FORCE, -ENERGY

28-07-2010

Stykiste ID 40HA08

12



Electric components

40H/HA -MASTER, -FORCE, -ENERGY

28-07-2010

StyKiste ID

40HA08

13

Pos	Vare nr.	Ant	Beskrivelse		EAN
-	3807518	7	RÆKKEKLEMME		5701715005
-	3821048	2	ENDEPLADE AP 4/D1/2	B, E, I, N	5701715044
-	3821515	7	TERMINAL CLIP WK6/U	(2340HA)	
0	103004408	1	LEAD-IN 10- 15 DA80/100/15		5701715474
1	1119424	1	REP.KIT, CONTROL PANEL 0840H	0840H	
1	1119427	1	REP.KIT CONTROL PANEL 1640HA	1640HA	5701715240
1	1119431	1	REP KIT CONTROL PANEL 3040H	3040H	5701715240
1	1119432	1	REP.SÆT INSTRUMENTPANEL	3040HA	5701715240
1	1119472	1	SÆT, INSTRUMENTPANEL	40HA MASTER	5701715251
1	301002486	1	KIT CONTROL PANEL 40H/HA NEUTRALLY	W/H HEATING STAGE	4005337102
1	301002486	1	KIT CONTROL PANEL 40H/HA NEUTRALLY	3840HA	4005337102
1	301002486	1	KIT CONTROL PANEL 40H/HA NEUTRALLY	ENERGY	4005337102
1	301002486	1	KIT CONTROL PANEL 40H/HA NEUTRALLY	1840H	4005337102
1	301002486	1	KIT CONTROL PANEL 40H/HA NEUTRALLY	1840HA	4005337102
1	301002486	1	KIT CONTROL PANEL 40H/HA NEUTRALLY	1440H, IRL	4005337102
1	301002486	1	KIT CONTROL PANEL 40H/HA NEUTRALLY	2340HA	4005337102
1	301002486	1	KIT CONTROL PANEL 40H/HA NEUTRALLY	FORCE	4005337102
1	301002486	1	KIT CONTROL PANEL 40H/HA NEUTRALLY	0840HA	4005337102
1	301002486	1	KIT CONTROL PANEL 40H/HA NEUTRALLY	1640H	4005337102
2	1119434	1	REP.KIT SWITCHES/LABEL 0840H	0840H	
2	1119439	1	KIT SWITCHES/LABEL 1840HA ALTO	1840HA	5701715240
2	1119442	1	REP.SÆT GREB/LABEL 3040HA	3040HA	5701715240
2	1119460	1	REP.SÆT GREB/LABEL MASTER	40HA MASTER	5701715251
2	301000492	1	SWITCH BUTTON.LABEL.... 4	ENERGY	4005337682
2	301002487	1	KIT SWITCHES/LABEL 40H/HA	1840H	4005337102
2	301002487	1	KIT SWITCHES/LABEL 40H/HA	1440H, IRL	4005337102
2	301002487	1	KIT SWITCHES/LABEL 40H/HA	2340HA	4005337102
2	301002487	1	KIT SWITCHES/LABEL 40H/HA	FORCE	4005337102
2	301002487	1	KIT SWITCHES/LABEL 40H/HA	3040H	4005337102
2	301002487	1	KIT SWITCHES/LABEL 40H/HA	W/H HEATING STAGE	4005337102
2	301002487	1	KIT SWITCHES/LABEL 40H/HA	3840HA	4005337102
2	301002487	1	KIT SWITCHES/LABEL 40H/HA	0840HA	4005337102
2	301002487	1	KIT SWITCHES/LABEL 40H/HA	1640H	4005337102
2	301002487	1	KIT SWITCHES/LABEL 40H/HA	1640HA	4005337102
3	1813666	4	SCREW M5X45		5701715031
4	6180920	1	TEMPERA TURKNAP M/DÆKPLADE		5701715114
6	1813682	1	PLANSKIVE M10		5701715031
7	6184104	1	AKSEL		5701715078
8	1813195	4	MØTRIK		5701715030
9	6184110	1	PAKNING		5701715078
10	1813989	12	SKRUE 35X16		5701715008
11	6420030	1	ELEKTRONISK STYRING	40H	5701715012

Electric components

40H/HA -MASTER, -FORCE, -ENERGY

28-07-2010

Stykliste ID

40HA08

14

Pos	Vare nr.	Ant	Beskrivelse		EAN
11	6420033	1	ELEKTRONISK STYRING	08/16/18/3040HA, UP TO 97.30	5701715128
11	6420033	1	ELEKTRONISK STYRING	08/16/18/3040HA, FROM 97.31	5701715128
11	6420034	1	ELEKTRONISK STYRING	FROM 97.32, 3840HA, MASTER	5701715139
11	6420034	1	ELEKTRONISK STYRING	UP TO 97.31, 3840HA	5701715139
12	31000156	1	PHASE SEQ. PRESS. SWITCH	See TSB PPW-2009-001	
12	3812732	1	RECEPTACLE 4.8-1 INSULATIN SLE	See TSB PPW-2009-001	5701715474
12	3820354	1	FASERFØLGE, PRESSOSTAT	See TSB PPW-2009-001	5701715044
12	4601147	1	PLUG F. Ø12.7	1~	5701715046
13	6184876	1	CABLE FOR PRESSURE SWITCH		5701715078
15		1	NOTE COMMENT	1X2,5 / H07V-K, BLACK	5701715456
15		1	NOTE COMMENT	TEW 105°C AWG 14, GREEN	5701715456
16	40104	1	RECEPTACLE 4,8X0,8 1,0-2,5 BLUE MS/SN		4005337401
17	3803780	1	PAKÐÅ SE TET 10-14C		5701715007
17	3803798	1	RUBBER SEAL 14-20C	(110/115V) TET 14-20	5701715007
18	6184875	1	MOUNTING PLATE		5701715227
18	6184879	1	MOUNTING PLATE STAR/DELTA		5701715078
19	3820347	1	PRINTSTAG		5701715044
20	1813740	3	SCREW 35 X 10		5701715031
21	6184828	1	CONTROL TRANSFORMER 380V	380V	5701715007
21	6184829	1	CONTROL TRANSFORMER 200V	200V	5701715007
21	6184830	1	STYRETRAFØ, 220V/50-60HZ	220V	5701715007
21	6184831	1	CONTROL TRANSFORMER 240V	240V	5701715007
21	6184832	1	CONTROL TRANSFORMER 110V	110V (115V)	5701715007
21	6184833	1	CONTROL TRANSFORMER 415V	415V-50/60HZ	5701715007
21	6184834	1	CONTROL TRANSFORMER 415-4	415/440V	5701715007
21	6184835	1	STYRETRAFØ, 220-380V/50	220/380V	5701715007
21	6184836	1	CONTROL TRANSFORMER 220-4	220/440V	5701715007
23	1813856	4	SCREW		5701715031
24	1800168	4	NUT M3		5701715026
25	3820206	1	MOTORSTIK/HAN T-KOBLING		5701715044
25	3820214	1	STJERNEKOBLING/HAN		5701715044
26	3821022	1	CHANGE OVER PLUG B,E,I,N		5701715044
26	3821445	1	MOTORSTIK, STJERNEKOBLING		5701715044
27	103822313	1	CONTACTOR 12-25A 50/60HZ24V	FROM 01.01.00	
27	103822317	1	CONTACTOR CJX2-D32-B7 24V		5701715472
27	103822317	1	CONTACTOR CJX2-D32-B7 24V	UP TO 31.12.99	5701715472
27	3804051	1	KONTAKTOR KOMP. CA3-16-10		5701715011
28	3807518	7	RÆKKEKLEMME		5701715005
29	3817483	1	KLEMMERÆKKE, JORD		5701715043
29	3821513	1	TERMINAL CLIP, EARTH WK6SL/35	(2340HA)	4005337046
30	3800331	1	SPLICE 3-POLED		
30	3807534	1	TOPOLET LASKE		5701715042

Electric components

40H/HA -MASTER, -FORCE, -ENERGY

28-07-2010

Stykliste ID

40HA08

15

Pos	Vare nr.	Ant	Beskrivelse	EAN
31	3807542	4	COVER PLATE	5701715042
33	6184733	1	PAKNING FOR ELKASSE	5701715078
34	3821014	1	EL-CABLE W. GFCI, 30A/250V	5701715254
34	3821142	1	POWER CORD SJTWA WG 12/3X11	5701715008
34	3821316	1	POWER CORD AWG12/3X11 SJTOW	4005337115
34	6180239	1	EL. CABLE SOW-AWG 1X220V60HZ	
34	6180260	1	EL-KABEL H07RN-F 4G 1.5	5701715077
34	6180261	1	EL. CABLE H07RN-F 3G 1.5	5701715077
34	6180264	1	EL. CABLE SOW-AWG 14/3	
34	6180265	1	EL. CABLE SOW-AWG 14/4	
34	6180269	1	ELEC.CABLE H07RN-F3G2.5	5701715323
35	6184825	1	STYREKABLER MED STIK	UP TO 26.10.95 5701715078
35	6185845	1	LEDNINGSBUNDT EXT.	5701715079
36	3820230	1	MOTORSTIK (HUN)	5701715044
38	6180273	1	CABLE F. CAPACITOR L450	5701715077
38	6180275	1	CABLE/CAPACITOR L600	5701715077
39	3821063	1	KONDENSATOR, START	(2340HA) 5701715044
39	3821216	1	CAPACITOR (START-UP) 315-	5701715044
40	3821426	1	CAPACITOR OPERATION 100 ØØØÅµF	1~, 60HZ USA,CDN 5701715044
40	3821427	1	KONDENSATOR (DRIFT) 40µF	1~, 60HZ 5701715044
41	1814052	2	CABLE TIE 2.5X140 BLACK	USA,CDN 5701715414
42	1119612	1	CAPACITOR WIRE REP.KIT	USA,CDN 5701715020
43	3821456	1	PAKNING FOR MOTORSTIK	5701715044
44	3821255	1	SIKRING	5701715011
45	3820909	3	PLUG	5701715044
46	3821482	1	TIMER	5701715044
47	3809464	1	HJÆLPEKONTAKT, NO	1~ 5701715043
48	1119375	1	REP KIT	5701715123
49	3803764	1	PAKDÅSE TET 5-7C	5701715007

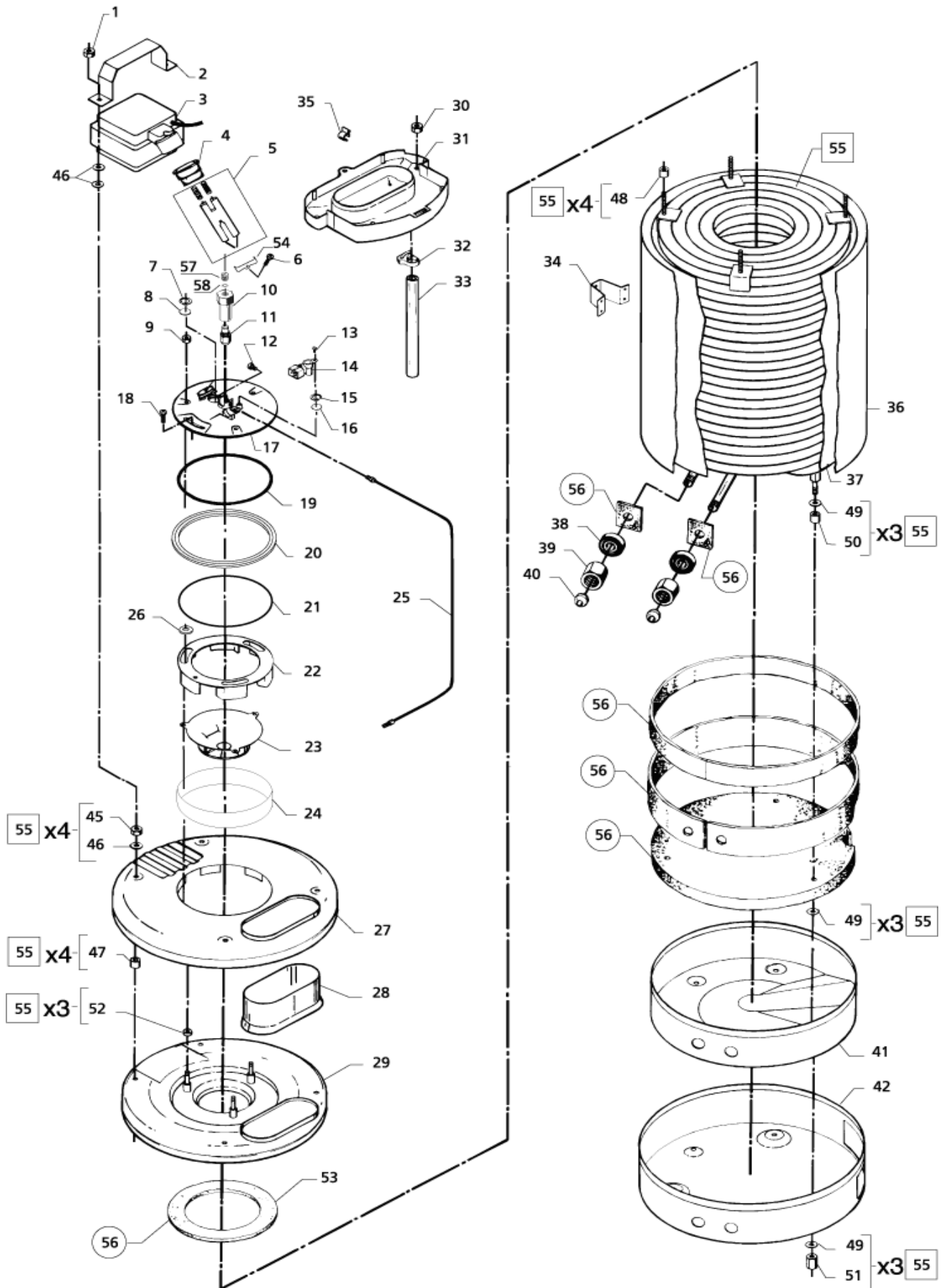
Boiler

40H/HA -MASTER, -FORCE, -ENERGY

28-07-2010

StyKiste ID
40HA10

16



Boiler

40H/HA -MASTER, -FORCE, -ENERGY

28-07-2010

Stykliste ID

40HA10

17

Pos	Vare nr.	Ant	Beskrivelse		EAN
-	1119250	1	BOILER COMPLETE 40HA	Boiler complete 40HA	5701715020
-	1119828	1	KEDEL KOMPLET. 3840HA	Boiler complete 40HA MASTER	5701715115
1	1803725	2	MØTRIK M8		5701715028
2	6184290	1	FITTINGS		5701715078
3	6184838	1	IGNITION TRANSFORMER 220V	230V, 60HZ	5701715116
3	6184839	1	IGNITION TRANSFORMER, 110	110-115V, 50-60HZ	5701715007
3	6184840	1	TÆNDTRANSFORMER 380 V/50H	380V, 50-60HZ	5701715078
3	6184841	1	IGNITION TRANSFORMER 200V	200V, 50-60HZ	5701715007
3	6184842	1	TÆNDTRAFO, 220V/50-60HZ	220V, 50-60HZ	5701715078
3	6184843	1	IGNITION TRANSFORMER 240V50HZ	240V, 50HZ	5701715008
3	6184845	1	IGNITION TRANSFORMER 415V	415V, 50-60HZ	5701715008
3	6184846	1	TÆNDTRANSFORMER	440V, 50-60HZ	5701715008
3	6184847	1	IGNITION TRANSFORMER,220V	220V, 60HZ	5701715008
3	6184848	1	IGNITION TRANSFOR 110AT 50-	110-115V, 50-60HZ	5701715008
3	6185840	1	TÆNDTRANSFORMATOR 230V	ALL	5701715013
4	6184729	1	TÆTNINGSTYLLE FOR TRAFØ		5701715078
5	6184359	1	ELEKTRODEHOLDER	08/16/18/3040H/HA, ENERGY	5701715078
5	6186362	1	ELEKTRODEHOLDER	3840HA, MASTER, FORCE	5701715079
6	1805464	1	SCREW		5701715029
7	1814611	1	SEEGERRING 18X1		5701715125
8	6184295	1	INSPEKTIONSGLAS		5701715078
9	2760	3	MØTRIK		4005337027
10	6184400	1	DYSEHOLDER	08/16/18/3040H/HA, ENERGY	5701715078
10	6184412	1	DYSEHOLDER	3840HA, MASTER, FORCE	5701715078
11	2802445	1	OLIEDYSE	16/18/3040H/A, ENERGY	5701715036
11	2802647	1	OLIEDYSE	0840H/HA, CDN	5701715036
11	2802649	1	OLIEDYSE 5.17 KG/H 80 G H	18/3040H/HA, CDN	5701715037
11	2802690	1	FUEL NOZZLE 3.72KH/H 1 US	0840H/HA, USA	5701715037
11	2802719	1	OLIEDYSE	3840HA, MASTER, FORCE	5701715005
12	1803717	1	SCREW FOR NOZZLE		5701715028
13	1800606	1	MASKINSKRUE M4X10		5701715026
14	6420300	1	FLAMMEFØLER, KOMPL.		5701715103
15	1814584	1	LÅSERING DIN 472		5701715121
16	6220285	1	TRANSPARENT COVER		5701715083
17	6184272	1	KEDELDÆKSEL	08/16/18/3040H/A, ENERGY	5701715078
17	6186377	1	KEDELDÆKSEL KOMP.	3840HA, MASTER, FORCE	5701715115
18	1813575	1	SCREW M5X12	08/16/18/3040H/A, ENERGY	5701715031
18	1814516	1	SCREW TEKTITE M5X16 FIB 7	3840HA, MASTER, FORCE	5701715207
19	6184296	1	PAKNING		5701715078
20	6184318	1	RING F. KEDELDÆKSEL		5701715078
21	6184319	1	PAKNING		5701715078
22	6184255	1	LUFTSPJÆLD		5701715078

Boiler

40H/HA -MASTER, -FORCE, -ENERGY

28-07-2010

Stykliste ID

40HA10

18

Pos	Vare nr.	Ant	Beskrivelse		EAN
23	6184350	1	LUFTFORDELER	08/16/18/3040H/A, ENERGY	5701715078
23	6186361	1	LUFTFORDELER	3840HA, MASTER, FORCE	5701715079
24	6184322	1	LUFTFILTER	3840HA, MASTER, FORCE	5701715078
25	6184450	1	OLIERØR		5701715078
26	1807999	3	GLATSKIVE M5.3X10X1		5701715030
27	6184281	1	KEDELTOP, UDVENDIG		5701715078
28	6184259	1	SKORSTEN		5701715078
29	6184360	1	KEDELTOP, INDVENDIG	08/16/18/3040H/A, ENERGY	5701715078
29	6186360	1	KEDELTOP	3840HA, MASTER, FORCE	5701715013
30	1803725	2	MØTRIK M8		5701715028
31	6184303	1	VANDSKJOLD		5701715078
32	1813658	1	BAND CLAMP FITTING		5701715031
33	5206330	1	HOSE		5701715312
34	6184286	1	FITTING		5701715078
35	3821105	1	KABELCLIPS		5701715007
36	6184262	1	KEDELSVØB UDVENDIG		5701715078
37	6185927	1	KEDELSVØB M. ISOLERING		5701715007
38	6184282	2	RØRGENNEMFØRING		5701715078
39	6184288	2	OMLØBER		5701715078
40	6184287	2	NIPPEL		5701715078
41	6184250	1	KEDELBUND INDVENDIG		5701715078
42	6184254	1	KEDELBUND UDVENDIG		5701715078
45	1803725	4	MØTRIK M8		5701715028
46	1800796	8	SKIVE M8		5701715027
47	6184275	4	AFSTANDBØSNING		5701715078
48	6184293	4	AFSTANDBØSNING		5701715078
49	1813567	9	WASHER 25/8.4 A2 DIN9021		5701715031
50	6184275	3	AFSTANDBØSNING		5701715078
51	6184276	3	NUT		5701715078
52	6184294	3	AFSTANDBØSNING		5701715078
53	1119700	1	SPIRALPAKNING		5701715114
54	6184328	1	BRACKET FOR ELECTRODE HOL		5701715239
55	6184931	1	KEDELSPIRAL	08/16/18/3040H/A, ENERGY	5701715078
55	6184946	1	KEDELSPIRAL KOMPLET	3840HA, MASTER, FORCE	5701715012
55	6185363	1	CALORIFIER WELD. 65KW	70KW STAINLESS STEEL	
55	6185928	1	KEDELSPIRAL KOMPLET RF	3840HA, MASTER, FORCE - STAINLESS STEEL	5701715115
55	6185929	1	CALORIFIER STAINLESS STEEL	08/16/18/3040H/A, ENERGY - STAINLESS STEEL	5701715114
56	1119236	1	ISOLERINGSSÆT FOR KEDEL		5701715008

Flow switch

40H/HA -MASTER, -FORCE, -ENERGY

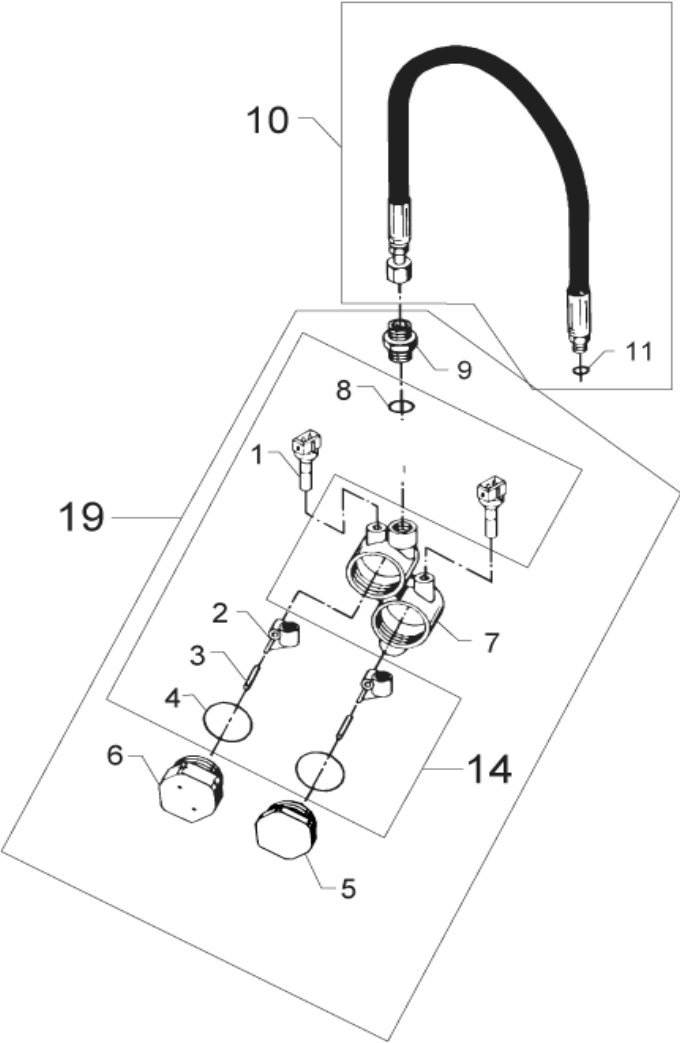
28-07-2010

Stykiste ID

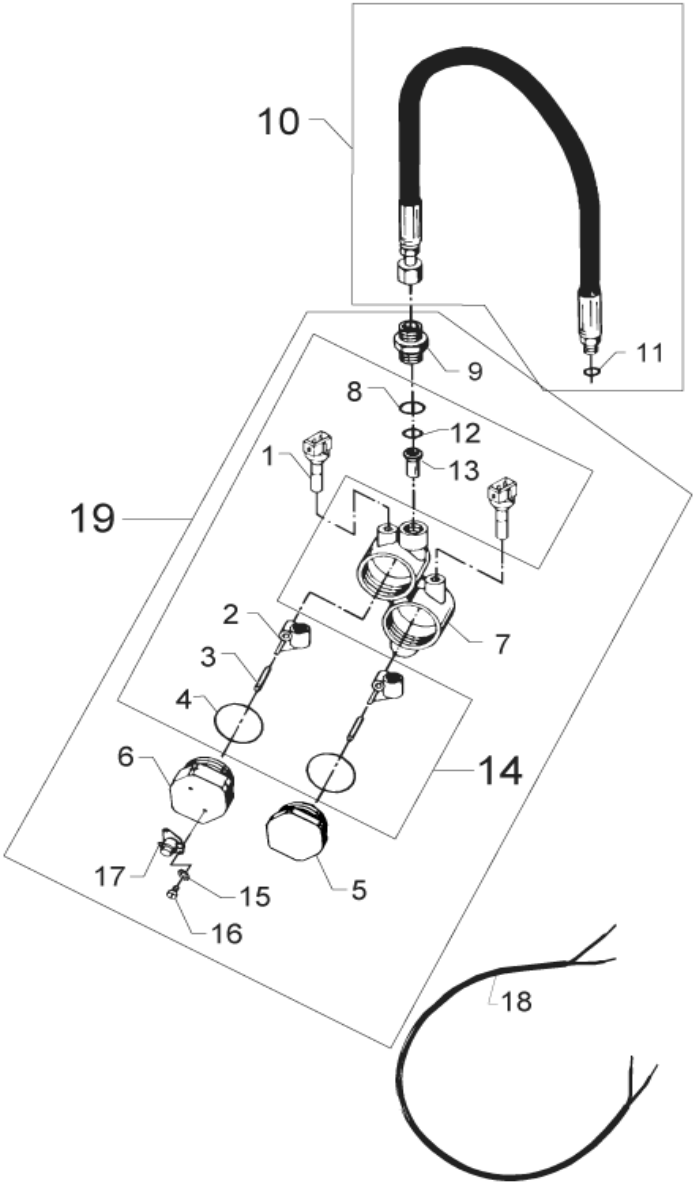
40HA12

19

H



HA



Flow switch

40H/HA -MASTER, -FORCE, -ENERGY

28-07-2010

Stykliste ID

40HA12

20

Pos	Vare nr.	Ant	Beskrivelse	EAN
1	6420306	2	SENSOR FOR FLAME MONITOR.	
2	6184927	1	SVINGARM MED MAGNET N-S	5701715078
3	6184923	2	AKSEL FOR FLOWINDIKATOR	5701715078
4	3001716	2	O-RING 35,1X1,6 NITRIL	5701715038
5	6184802	1	DÆKSEL F. FLOWINDIKATOR	5701715078
6	6184801	1	DÆKSEL, TYK	5701715078
7	6184534	1	INDIKATORHUS	5701715078
8	3000064	1	O-RING 14.1X1.6 NITRIL 70SH	5701715037
9	1601079	1	LIGEFORSKRUNING	5701715024
10	1450000	1	INTERN HØJTRYKSSLANGE	5701715023
11	3000072	1	O-RING 10,1X1,6 NITRIL	5701715037
12	3001799	1	O-RING 10,3X2,4 NITRIL	HA 5701715038
13	6401821	1	DYSE FOR START-STOP	HA 5701715100
14	1119311	1	REP.SÆT F. STRØMNINGSKON.	5701715017
15	1809953	2	WASHER M3	FROM 97.31 5701715236
16	1803139	2	MASKINSKRUE M3X6	FROM 97.31 5701715028
17	3821228	1	SIKKERHEDSTERMOSTAT	FROM 97.31 5701715044
19	6184565	1	INDIKATORHUS F. AUS S/S	5701715314

Fuel tank

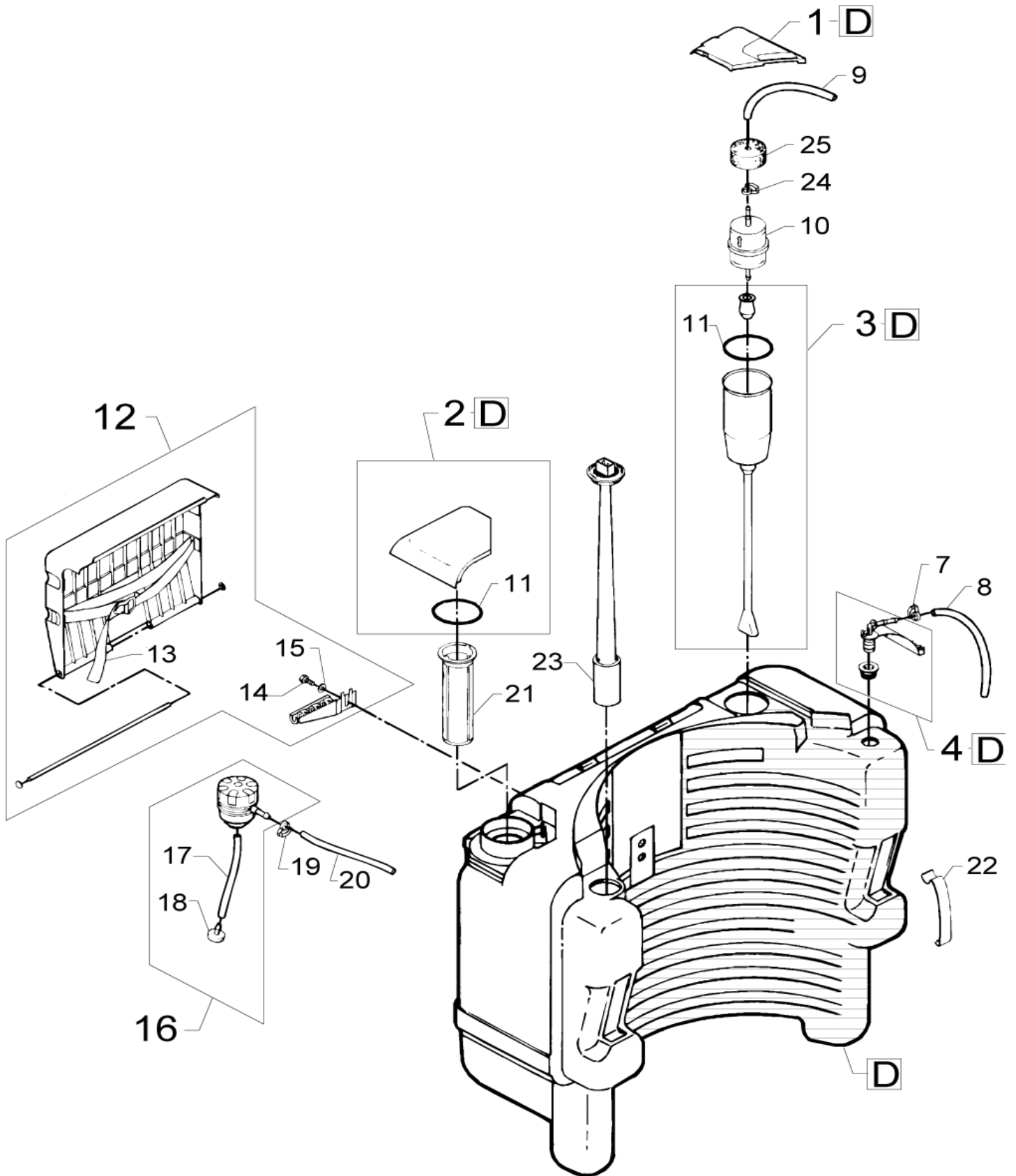
40H/HA -MASTER, -FORCE, -ENERGY

28-07-2010

Stykiste ID

40HA14

21



Fuel tank

40H/HA -MASTER, -FORCE, -ENERGY

28-07-2010

Stykliste ID

40HA14

22

Pos	Vare nr.	Ant	Beskrivelse	EAN
1	6184097	1	FILTERDÆKSEL	5701715078
2	1119237	1	REP.SÆT LÅG BRÆNDSTOFTANK	5701715020
2	1119237	1	REP.SÆT LÅG BRÆNDSTOFTANK	5701715020
			CDN	
3	1119238	1	REP. SÆT FILTEROPHÆNG	5701715020
4	1119239	1	REP.SÆT F. RETURDÆKSEL	5701715113
7	6184101	1	SLANGE/KABELKLEMME	5701715078
8	5226220	1	GUMMISLANGE SORT PR.M.	5701715208
9	2450006	1	OLIESLANGE 1200 MM	5701715035
D	6184932	1	BRÆNDSTOFTANK	5701715078
D	6184932	1	BRÆNDSTOFTANK	5701715078
			CDN	
10	6184100	1	OLIEFILTER	5701715078
11	3003944	2	O-RING 57,0 X 4,0	5701715038
12	1119240	1	REP. SÆT DUNKHOLDER	5701715020
13	6184902	1	DUNKSELE	5701715078
14	1802933	1	SÆTSKRUE M6X22 RF	5701715028
15	1813807	1	WASHER 6.4/18.0X1.6 A ISO7090 VA	5701715031
16	6180425	1	DOSERINGSENHED, KOMPL.	5701715234
17	2450002	1	SLANGE 300 MM 1/4"	5701715035
18	6400240	1	FILTER	5701715097
19	1810084	1	SPÆNDEBÅND Ø10,8/12,3	5701715007
20	2450011	1	PVC HOSE 1/4 L1400MM	5701715115
21	1604222	1	FILTERSI	5701715025
22	2601565	2	SPRING LOCK	5701715035
23	31000115	1	LEVEL SWITCH REPAIR KIT	See MPW 093 - concerning level switch
23	6420303	1	NIVEAUFØLER	See MPW 093 - concerning level switch
24	1810084	1	SPÆNDEBÅND Ø10,8/12,3	5701715007
25	6184117	1	SKUMGUMMIPROP	5701715078

Cover for float chamber

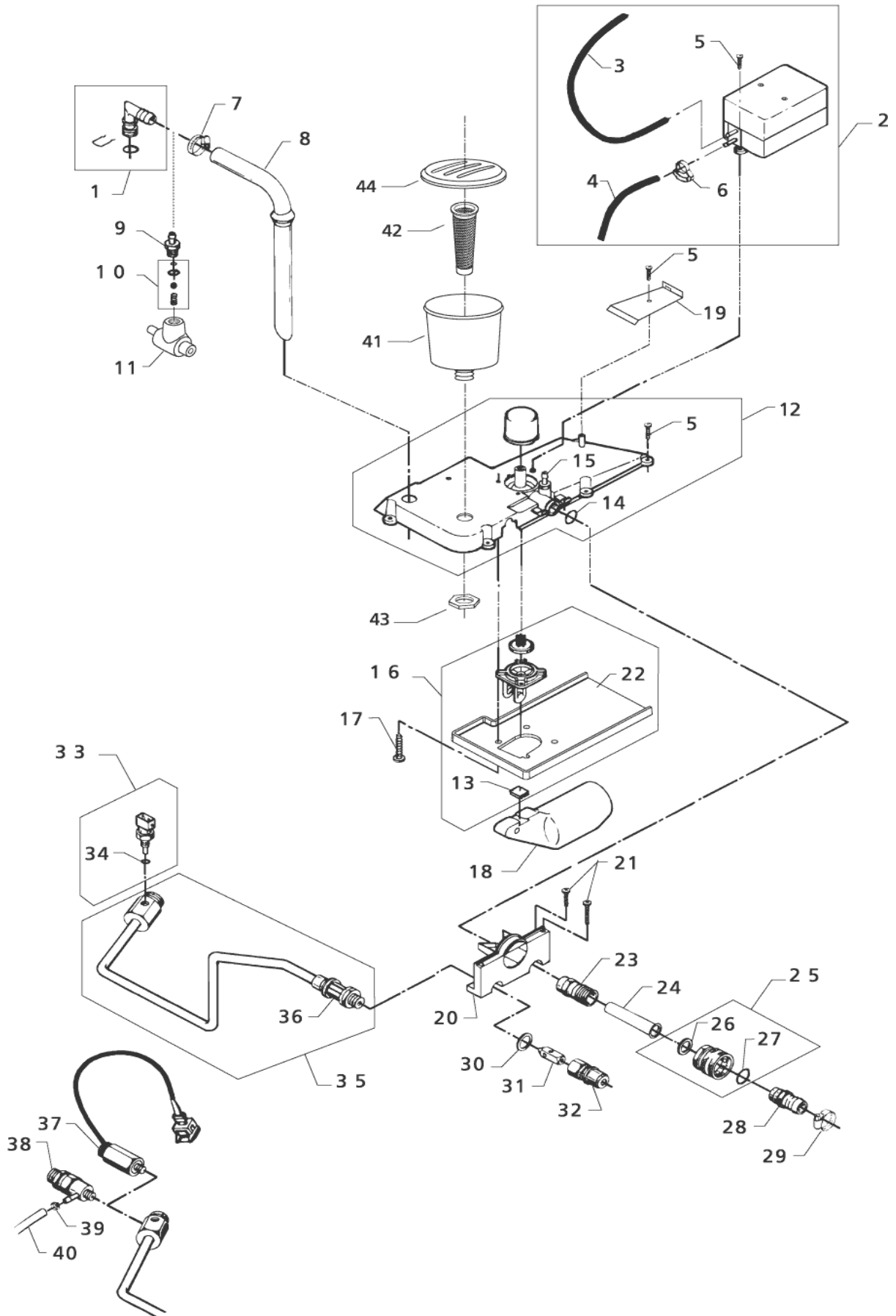
40H/HA -MASTER, -FORCE, -ENERGY

28-07-2010

StyKiste ID

40HA16

23



Cover for float chamber

40H/HA -MASTER, -FORCE, -ENERGY

28-07-2010

Stykliste ID

40HA16

24

Pos	Vare nr.	Ant	Beskrivelse	EAN
1	1119210	1	REP. SÆT TILGANGSVINKEL	5701715019
2	1119695	1	REP.SÆT NO-SCALE PUMPE	5701715021
3	5226147	1	HOSE PVC 4/7.2 (400MM)	5701715474
4	5226147	1	HOSE PVC 4/7.2 (180MM) FROM 26.10.95	5701715474
5	1813989	7	SKRUE 35X16	5701715008
6	1814151	2	SLANGKLEMME Ø7,8/Ø8,7	5701715007
7	1805100	1	SPÆNDEBÅND 8-20 MM	5701715029
8	6184588	1	SUGERØR F. SVØMMEHUS	5701715078
9	3400512	1	SLANGESTUDS 3840HA, 40HA MASTER	5701715039
10	1119694	1	REP.SÆT F. KEMINJEKTOR 3840HA, 40HA MASTER	5701715021
11	6184677	1	HUS F. KEMI 3840HA, 40HA MASTER	5701715078
12	1119242	1	REP. SÆT SVØMMEHUSLÅG H	5701715020
12	1119249	1	SVØMMEHUSLÅG KOMPL. HA	5701715020
13	6184581	1	VENTILSÆDE F.SVØM.VENTIL	5701715078
14	3004221	1	O-RING 16X2	5701715039
15	6401820	1	HOSE NOZZLE Ø 6 PT Ø 11	5701715008
16	1119243	1	REP. SÆT SVØMMEVENTIL	5701715020
17	1813641	4	SKRUE KB40X16 WN1412	5701715031
18	6184084	1	SVØMMER	5701715078
19	6184679	1	PLATE BRACKET FOR KS PUMP	5701715078
20	6184086	1	MANOMETERKONSOL	5701715078
21	1813633	6	SKRUE 35 X 25 RF	5701715031
22	6184591	1	GUIDE PLATE	5701715240
23	6184583	1	FILTERHUS	5701715078
24	6100941	1	FILTER	5701715000
25	1602945	1	LYNKOBLING 3/4" LAVTRYK	5701715024
26	3001237	1	GASKET 24.5X 16X3	5701715037
27	3000320	1	O-RING 20X3 NITRIL	5701715037
28	1600659	1	LYNKOBLINGSNIPPEL	5701715023
28	1602473	1	STIKNIPPEL LAVTRYK CH	5701715024
28	1605955	1	NIPPLE F. QUICK COUPLING L.P ISA, CDN	5701715026
29	8298	1	SPÆNDEBÅND	4005337082
30	1801075	1	TÆTNINGSSKIVE 3/8" RG	5701715027
31	6101038	1	STEMPEL	5701715063
32	1600493	1	LYNKOBLINGSNIPPEL 3/8"	5701715023
32	1603101	1	LYNKOBLINGSNIPPEL, RF	5701715024
33	1119244	1	TEMPERATURFØLER M. O-RING	5701715007
34	3004217	1	O-RING 8,1X1,6	5701715039
35	1119245	1	REP. SÆT AFGANGSRØR	5701715020
35	1119269	1	REP.KIT OUTLET PIPE S, USA, CDN	5701715020
36	6184477	1	GUMMIBØSNING	5701715078
37	1119270	1	REP.SÆT OVERKOGNINGSFØLER S	5701715020

Cover for float chamber

40H/HA -MASTER, -FORCE, -ENERGY

28-07-2010

Stykliste ID

40HA16

25

Pos	Vare nr.	Ant	Beskrivelse		EAN
38	6220583	1	SAFETY VALVE	AUS, CDN	5701715084
38	6220584	1	SAFETY VALVE COMPL. 250 BAR	AUS, CDN	5701715084
39	1810084	1	SPÆNDEBÅND Ø10,8/12,3	AUS, CDN	5701715007
40	5206636	1	PVC-SLANGE, KLAR Ø6/Ø10	AUS, CDN	5701715046
41	2200285	1	OLIEGLAS	FROM 01.04.02, JP	5701715034
42	6100941	1	FILTER	FROM 01.04.02, JP	5701715000
43	14478	1	NUT 6KT- G1/2 FLANGE MS	FROM 01.04.02, JP	4005337144
44	2201854	1	LÅG F. OLIEGLAS	FROM 01.04.02, JP	5701715034