

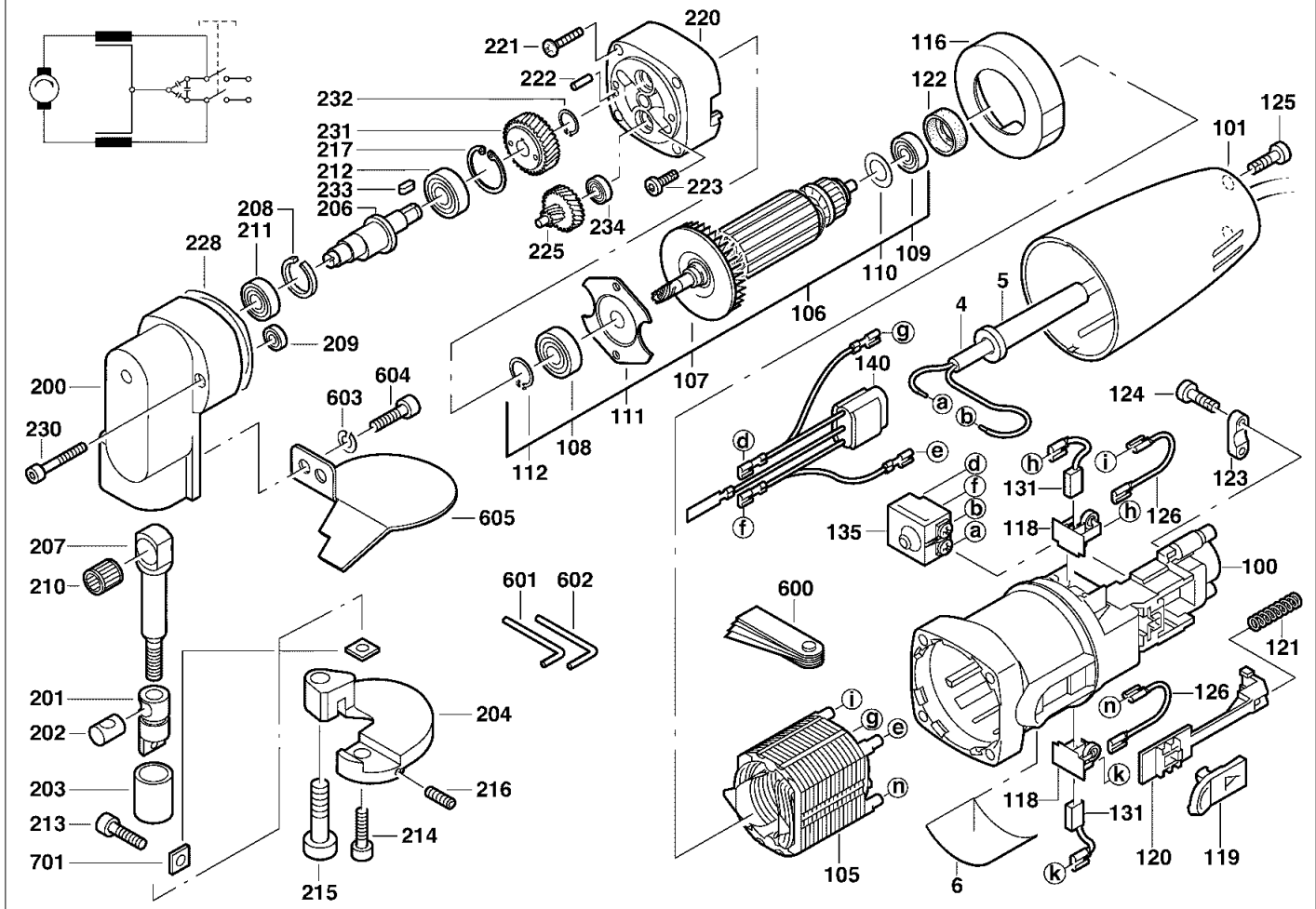
A & M Electric Tools

Sheet Metal Shears

Ind Product No.	Type	Voltage	Country
a 4000378866	KS2,5	230V	IN2

Ind Product No.	Type	Voltage	Country

Milwaukee			
KS2,5			
Exp.view No.	Version	Date	Page
4926 3788 72	0001	01.06.01	1/2



Pos	Index	Quanti	Article No.	Designation
0004	a.....	1	4931623669	CONNECTION CABLE
0005	a.....	1	4931206687	CABLE ENTRY SLEEVE
0006	a.....	1	4931378869	RATING PLATE
0100	a.....	1	4931378828	MOTOR HOUSING
0101	a.....	1	4931378853	HOUSING CAP
0105	a.....	1	4931365064	ELECTRIC FIELD
0106	a.....	1	4931351909	ARMATURE
0107	a.....	1	4931351861	FAN
0108	a.....	1	4931341740	GROOVED BALL BEAR.
0109	a.....	1	4931319402	BALL BEARING
0110	a.....	1	4931368345	INSULATING DISC
0111	a.....	1	4931351913	BEARING COVER
0112	a.....	2	4931605103	RING
0116	a.....	1	4931351860	AIR DEFLECTOR RING
0118	a.....	2	4931351842	BRUSH HOLDER
0119	a.....	1	4931378833	SLIDER
0120	a.....	1	4931351823	GUIDE PIECE
0121	a.....	1	4931326981	PRESSURE SPRING
0122	a.....	1	4931351729	RUBBER SLEEVE
0123	a.....	1	4931256500	CABLE COLLAR
0124	a.....	1	4931624538	SCREW
0125	a.....	2	4931618253	SCREW

Pos	Index	Quanti	Article No.	Designation
0126	a.....	2	4931253731	WIRE
0131	a.....	1	4931392611	CARBON BRUSH SET
0135	a.....	1	4931351849	SWITCH
0140	a.....	1	4931358358	CAPACITOR
0200	a.....	1	4931378868	BODY
0201	a.....	1	4931326607	RAM
0202	a.....	1	4931362178	BOLT
0203	a.....	1	4931326609	SLEEVE
0204	a.....	1	4931358777	CUTTING TABLE
0206	a.....	1	4931217551	ECCENTRIC SHAFT
0207	a.....	1	4931326610	CONNECTING ROD
0208	a.....	1	4931214527	CLAMPING RING
0209	a.....	1	4931887416	BALL BEARING
0210	a.....	1	4931983003	NEEDLE BEARING
0211	a.....	1	4931939266	BALL BEARING
0212	a.....	1	4931898737	BALL BEARING
0213	a.....	1	4931623528	SCREW
0214	a.....	1	4931623529	SCREW
0215	a.....	1	4931622696	SCREW
0216	a.....	2	4931623530	THREADED PIN
0217	a.....	1	4931616614	LOCKING RING
0220	a.....	1	4931378855	BEARING END PLATE

Repairs/modification and testing of electric power tools are to be carried out by specialists. The safety regulations according to DIN/VDE/CEE/AFNOR and other regulations valid in the different countries are to be observed.

