

# A & M Electric Tools

# Angle Grinders

Milwaukee

**AGVM 24-230 GEX**

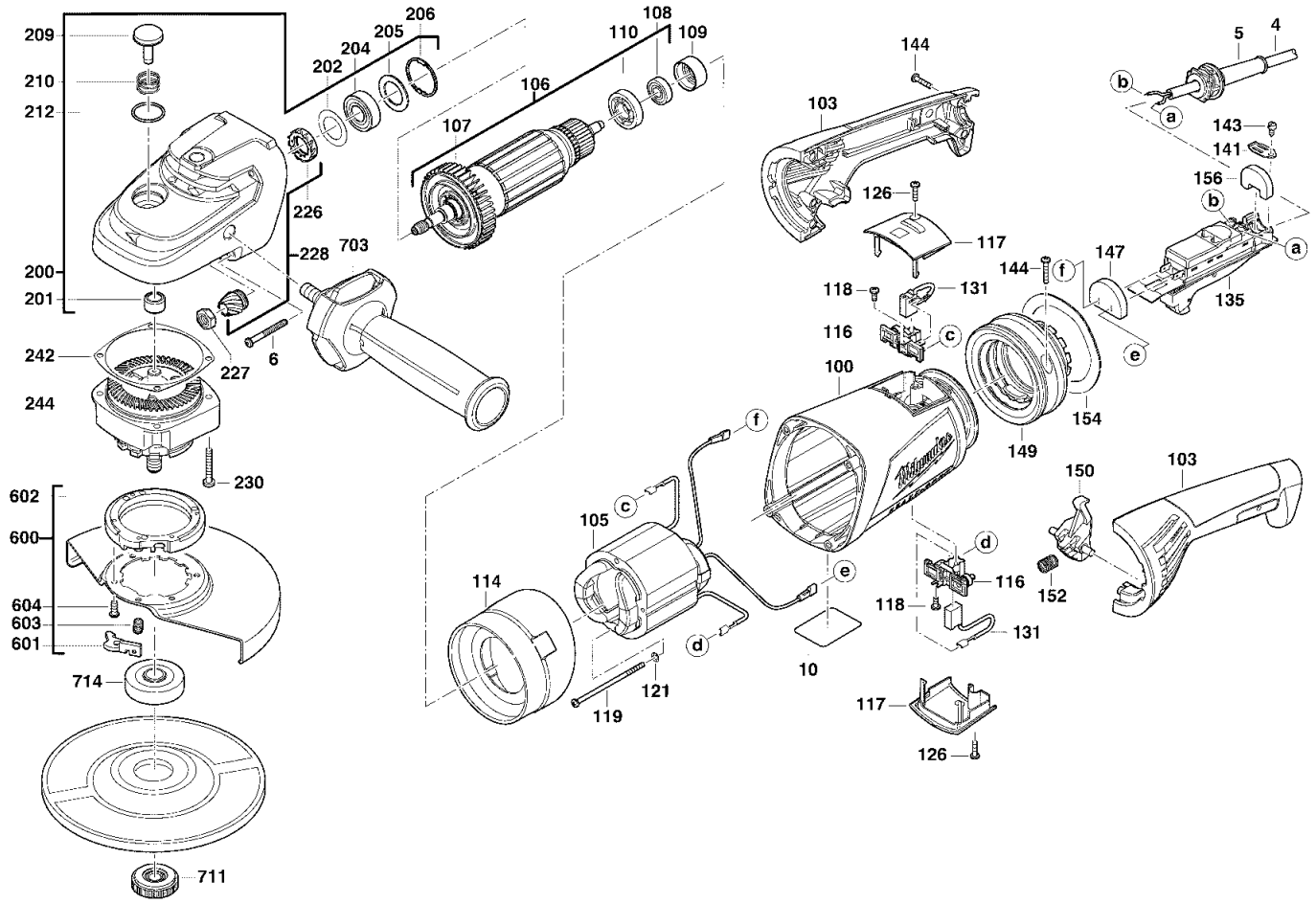
**AGVM 26-230 GEX**

Exp.view No.      Version    Date      Page

**4926 4023 44    0004    29.10.07    1/2**

Ind	Product No.	Type	Voltage	Country
a	4000402366	AGVM 26-230GEX	220-240V	IN2
b	4000402496	AGVM 26-230GEX	220-240V	IN2
c	4000402341	AGVM 24-230GEX	220-240V	IN2
d	4000402476	AGVM 24-230GVX	220-240V	IN2
e	4000402598	AGVM24-230GX	110V	GB1
f	4000402486	AGVM 24-230GVX	240V	GB2

Ind	Product No.	Type	Voltage	Country



Pos	Index	Quanti	Article No.	Designation	Pos	Index	Quanti	Article No.	Designation
0004	abcd.....	1	4931622899	CONNECTION CABLE	0110	abcd.f.....	1	4931402219	SEAL RING
0004	....e.....	1	4931624290	CONNECTION CABLE	0110	....e.....	1	4931329084	SEAL RING
0004	....f.....	1	4931624580	CONNECTION CABLE	0114	abcd.f.....	1	4931402269	AIR DEFLECTOR RING
0005	abcd.f.....	1	4931387206	PROTECTING COVER	0114	....e.....	1	4931402271	AIR DEFLECTOR RING
0005	....e.....	1	4931402354	PROTECTING COVER	0116	abcdef.....	2	4931329079	BRUSH HOLDER
0006	abcdef.....	4	4931622765	SCREW	0117	abcdef.....	2	4931402169	COVER
0010	a.....	1	4931402367	RATING PLATE	0118	abcdef.....	2	4931624538	SCREW
0010	.b.....	1	4931402497	RATING PLATE	0119	abcd.f.....	2	4931331734	SCREW
0010	..c.....	1	4931402342	RATING PLATE	0119	....e.....	2	4931329170	SCREW
0010	...d.....	1	4931402477	RATING PLATE	0121	abcdef.....	2	4931619992	SPRING WASHER
0010	....e.....	1	4931402599	RATING PLATE	0126	abcdef.....	2	4931624537	SCREW
0010	....f.....	1	4931402487	RATING PLATE	0131	abcd.f.....	1	4931395107	CARBON BRUSH SET
0100	abcd.f.....	1	4931402268	MOTOR HOUSING	0131	....e.....	1	4931392591	CARBON BRUSH SET
0100	....e.....	1	4931402172	MOTOR HOUSING	0135	a.c.....	1	4931402034	SWITCH
0103	abcdef.....	1	4931402176	SWITCH HANDLE	0135	.b.d.f.....	1	4931402277	SWITCH
0105	abcd.f.....	1	4931402223	ELECTRIC FIELD	0135	....e.....	1	4931402081	SWITCH
0105	....e.....	1	4931402355	ELECTRIC FIELD	0141	abcd.f.....	1	4931329273	CABLE COLLAR
0106	abcd.f.....	1	4931402215	ARMATURE	0141	....e.....	1	4931334597	CABLE COLLAR
0106	....e.....	1	4931402356	ARMATURE	0143	abcdef.....	1	4931624537	SCREW
0107	abcdef.....	1	4931334394	FAN	0144	abcdef.....	6	4931618253	SCREW
0108	abcdef.....	1	4931341741	BALL BEARING	0147	abcdef.....	1	4931402013	DUST SEAL
0109	abcdef.....	1	4931329086	RUBBER SLEEVE	0149	abcdef.....	1	4931402283	DAMPER

Repairs/modification and testing of electric power tools are to be carried out by specialists. The safety regulations according to DIN/VDE/CEE/AFNOR and other regulations valid in the different countries are to be observed.

# A & M Electric Tools

# Angle Grinders

Milwaukee

**AGVM 24-230 GEX**

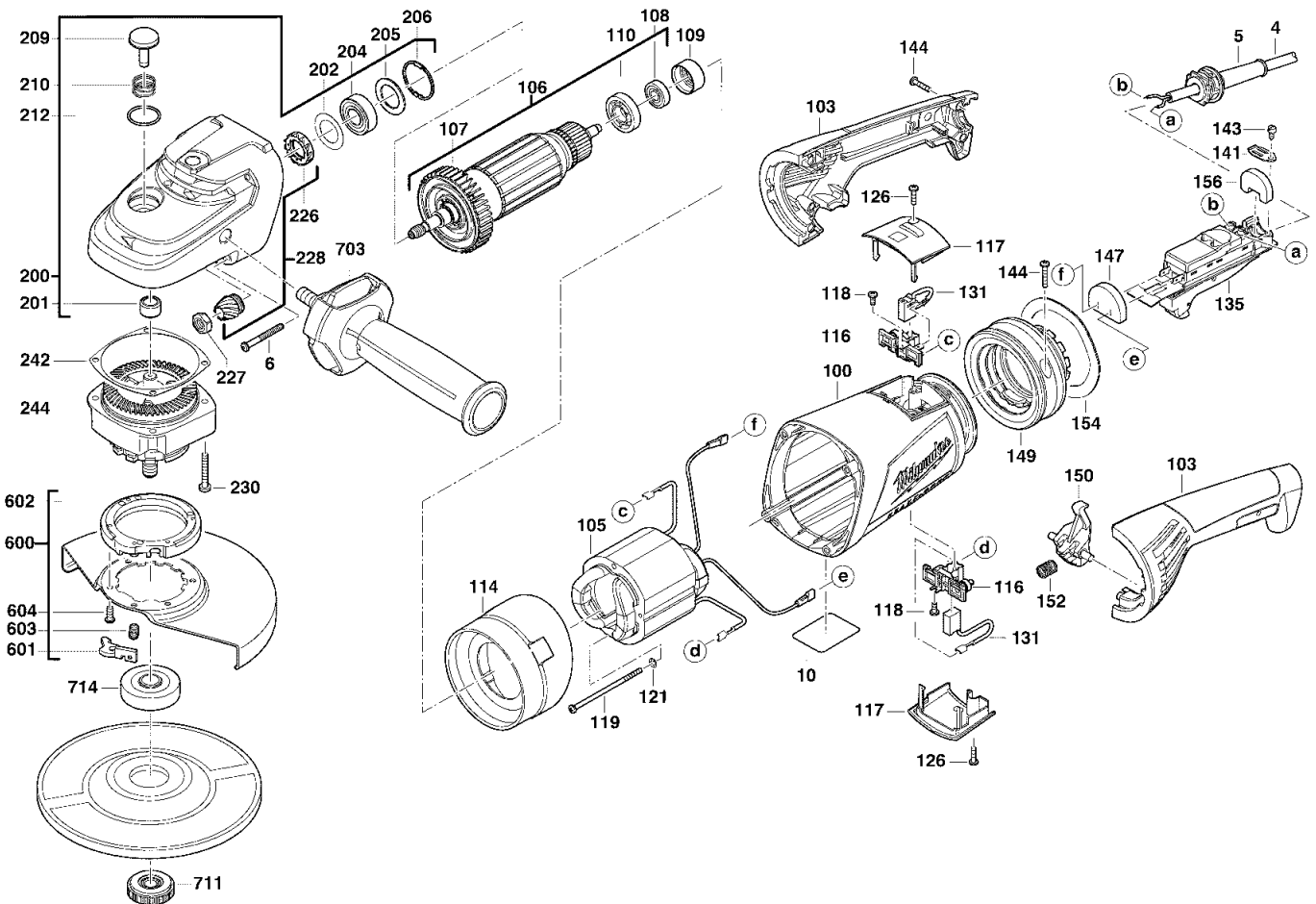
**AGVM 26-230 GEX**

Exp.view No.      Version    Date      Page

4926 4023 44    0004    29.10.07    2/2

Ind	Product No.	Type	Voltage	Country
a	4000402366	AGVM 26-230GEX	220-240V	IN2
b	4000402496	AGVM 26-230GEX	220-240V	IN2
c	4000402341	AGVM 24-230GEX	220-240V	IN2
d	4000402476	AGVM 24-230GVX	220-240V	IN2
e	4000402598	AGVM24-230GX	110V	GB1
f	4000402486	AGVM 24-230GVX	240V	GB2

Ind	Product No.	Type	Voltage	Country



Pos	Index	Quanti	Article No.	Designation
0150	abcdef.....	1	4931402230	LATCH
0152	abcdef.....	1	4931402039	PRESSURE SPRING
0154	abcdef.....	1	4931402029	SPRING WASHER
0156	abcdef.....	1	4931402286	DUST SEAL
0200	abcdef.....	1	4931402161	GEAR BOX
0201	abcdef.....	1	4931621981	SLEEVE
0202	abcdef.....	1	4931621629	DISC
0204	abcdef.....	1	4931624305	BALL BEARING
0205	abcdef.....	1	4931622897	DISC
0206	abcdef.....	1	4931334400	LOCKING RING
0209	abcdef.....	1	4931402166	LOCKING BOLT
0210	abcdef.....	1	4931329173	PRESSURE SPRING
0212	abcdef.....	1	4931622764	O-RING
0226	abcdef.....	1	4931329178	GREASE RETAIN.DIS
0227	abcdef.....	1	4931329494	NUT
0228	abcdef.....	1	4931402159	PINION
0230	abcdef.....	4	4931624147	SCREW
0242	abcdef.....	1	4931329150	GASKET
0244	abcdef.....	1	4931402148	DRIVE GEAR
0600	abcdef.....	1	4931402196	GUARD CAP
0601	abcdef.....	1	4931402072	CATCH LEVER
0602	abcdef.....	1	4931402063	FLANGE

Pos	Index	Quanti	Article No.	Designation
0603	abcdef.....	1	4931402089	PRESSURE SPRING
0604	abcdef.....	5	4931624491	SCREW
0703	abcdef.....	1	4931398251	HANDLE
0711	abcdef.....	1	4931402358	FIXTEC-NUT
0714	abcdef.....	1	4931402435	AUTOBALANCER

Repairs/modification and testing of electric power tools are to be carried out by specialists. The safety regulations according to DIN/VDE/CEE/AFNOR and other regulations valid in the different countries are to be observed.