

# A & M Electric Tools

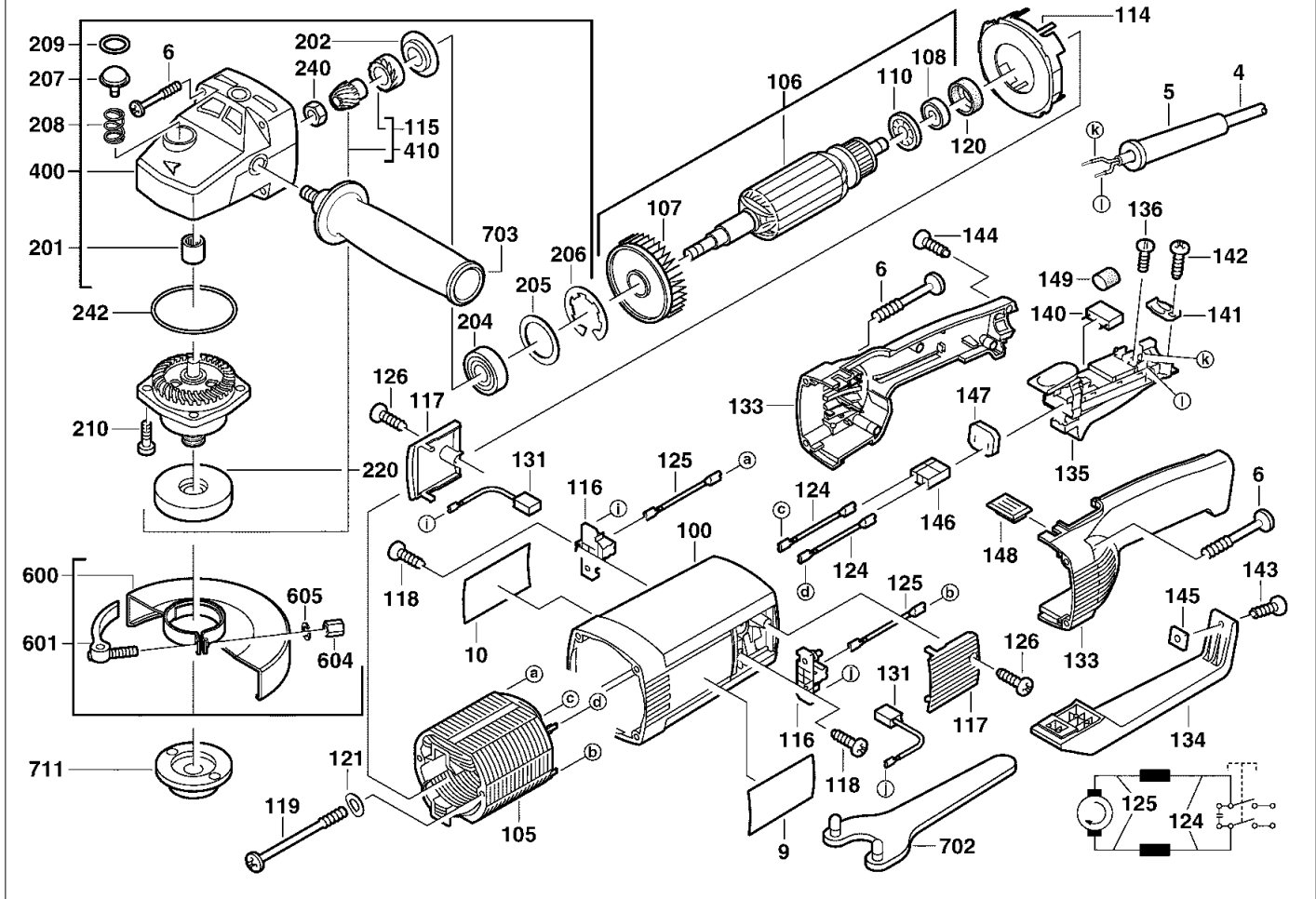
# Angle Grinders

Milwaukee

**AGV 23-230**

Exp.view No.      Version      Date      Page  
**4926 3934 15      0002      03.01.06      1/2**

Ind	Product No.	Type	Voltage	Country	Ind	Product No.	Type	Voltage	Country
a	4000393867	AGV23-230	230V	IN2					
b	4000393873	AGV23-230	110V	GB1					



Pos	Index	Quanti	Article No.	Designation	Pos	Index	Quanti	Article No.	Designation
0004	a.....	1	4931622899	CONNECTION CABLE	0120	ab.....	1	4931329086	RUBBER SLEEVE
0004	b.....	1	4931624290	CONNECTION CABLE	0121	ab.....	2	4931619992	SPRING WASHER
0005	a.....	1	4931217556	CABLE ENTRY SLEEVE	0124	a.....	2	4931622785	WIRE
0005	b.....	1	4931217557	CABLE ENTRY SLEEVE	0124	b.....	2	4931623063	CONNECTION CABLE
0006	ab.....	8	4931622765	SCREW	0125	a.....	2	4931622831	WIRE
0009	ab.....	1	4931378792	TYPE PLATE	0125	b.....	2	4931334528	WIRE
0010	a.....	1	4931393868	RATING PLATE	0126	ab.....	2	4931013472	SCREW
0010	b.....	1	4931393874	RATING PLATE	0131	a.....	1	4931369479	CARBON BRUSH SET
0100	ab.....	1	4931362790	MOTOR HOUSING	0131	b.....	1	4931392591	CARBON BRUSH SET
0105	a.....	1	4931393353	ELECTRIC FIELD	0133	ab.....	1	4931362785	HANDLE
0105	b.....	1	4931393407	ELECTRIC FIELD	0134	ab.....	1	4931334465	YOKE
0106	a.....	1	4931393354	ARMATURE	0135	a.....	1	4931378784	SWITCH
0106	b.....	1	4931393408	ARMATURE	0135	b.....	1	4931391633	SWITCH
0107	ab.....	1	4931334394	FAN	0136	ab.....	2	4931940611	SCREW
0108	ab.....	1	4931341741	BALL BEARING	0140	ab.....	1	4931329272	CAPACITOR
0110	ab.....	1	4931329084	SEAL RING	0141	a.....	1	4931329273	CABLE COLLAR
0114	ab.....	1	4931326156	AIR REFLECTOR RING	0141	b.....	1	4931334597	CABLE COLLAR
0115	ab.....	1	4931329118	GREASE RETAIN.DISC	0142	ab.....	1	4931013472	SCREW
0116	ab.....	2	4931329079	BRUSH HOLDER	0143	ab.....	1	4931622933	SCREW
0117	ab.....	2	4931378798	COVER	0144	ab.....	5	4931618253	SCREW
0118	ab.....	2	4931624538	SCREW	0145	ab.....	1	4931300231	CLAMPING PIECE
0119	ab.....	2	4931329170	SCREW	0146	ab.....	1	4931329171	SWITCH MOUNTING

Repairs/modification and testing of electric power tools are to be carried out by specialists. The safety regulations according to DIN/VDE/CEE/AFNOR and other regulations valid in the different countries are to be observed.

# A & M Electric Tools

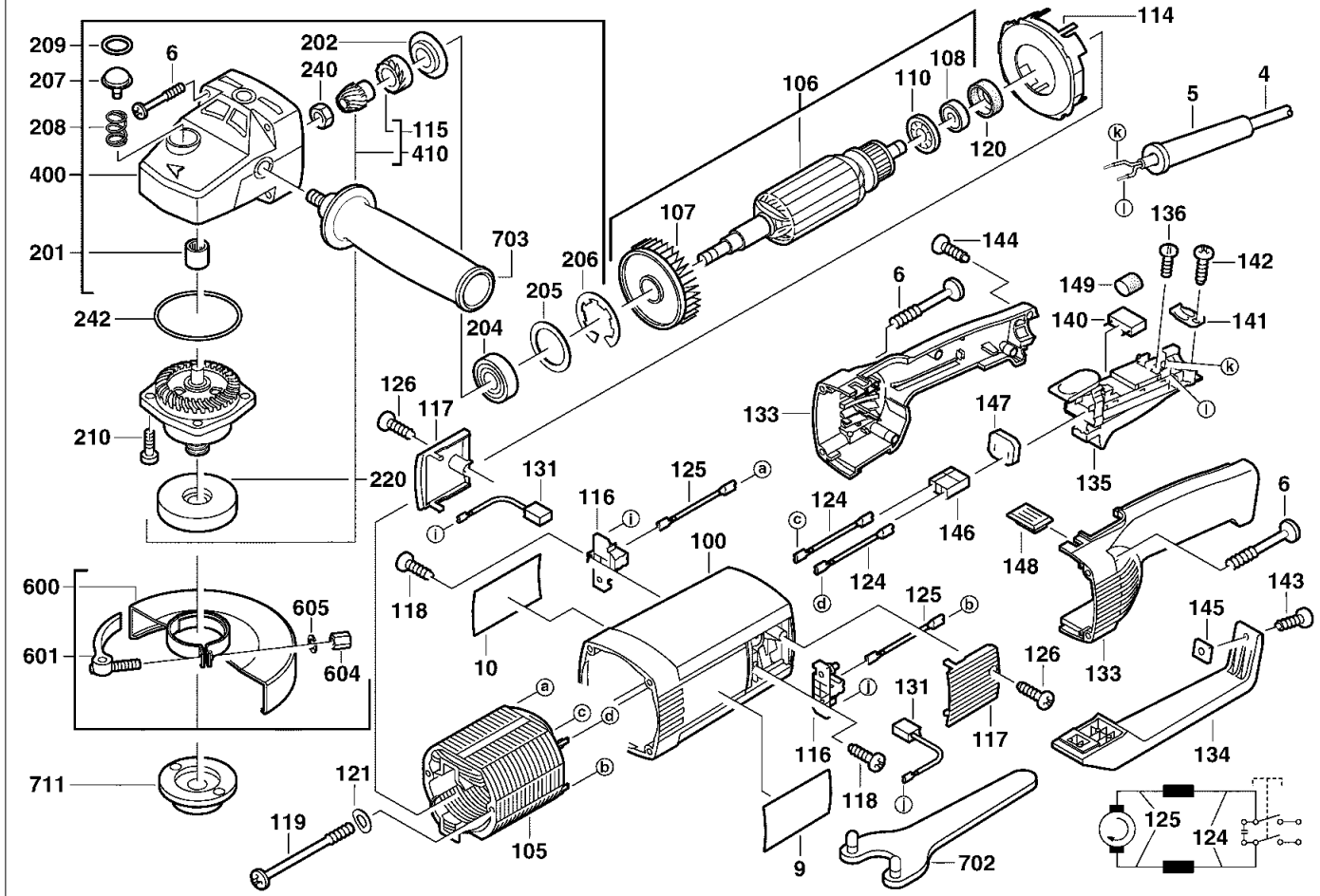
# Angle Grinders

Milwaukee

**AGV 23-230**

Exp.view No.      Version    Date      Page  
**4926 3934 15    0002    03.01.06    2/2**

Ind	Product No.	Type	Voltage	Country	Ind	Product No.	Type	Voltage	Country
a	4000393867	AGV23-230	230V	IN2					
b	4000393873	AGV23-230	110V	GB1					



Pos	Index	Quanti	Article No.	Designation
0147	ab.....	1	4931329503	SEAL RING
0148	ab.....	1	4931329122	SUPPORT
0149	ab.....	1	4931341889	SPRING
0201	ab.....	1	4931621981	SLEEVE
0202	ab.....	1	4931621629	DISC
0204	ab.....	1	4931624305	BALL BEARING
0205	ab.....	1	4931622897	DISC
0206	ab.....	1	4931334400	LOCKING RING
0207	ab.....	1	4931329107	LOCKING BOLT
0208	ab.....	1	4931329173	PRESSURE SPRING
0209	ab.....	1	4931622764	O-RING
0210	ab.....	4	4931624147	SCREW
0220	ab.....	1	4931369829	AUTOBALANCER
0240	ab.....	1	4931329494	NUT
0242	ab.....	1	4931329150	GASKET
0400	ab.....	1	4931378799	GEAR BOX
0410	ab.....	1	4931393803	DRIVE GEAR
0600	ab.....	1	4931383906	GUARD CAP
0601	ab.....	1	4931383175	TENSION LEVER
0604	ab.....	1	4931615586	NUT
0605	ab.....	1	4931616932	SPRING WASHER
0702	ab.....	1	4932367712	PIN SPANNER

Pos	Index	Quanti	Article No.	Designation
0703	ab.....	1	4932209035	HANDLE
0711	ab.....	1	4932345629	FLANGE NUT

Repairs/modification and testing of electric power tools are to be carried out by specialists. The safety regulations according to DIN/VDE/CEE/AFNOR and other regulations valid in the different countries are to be observed.