

A & M Electric Tools

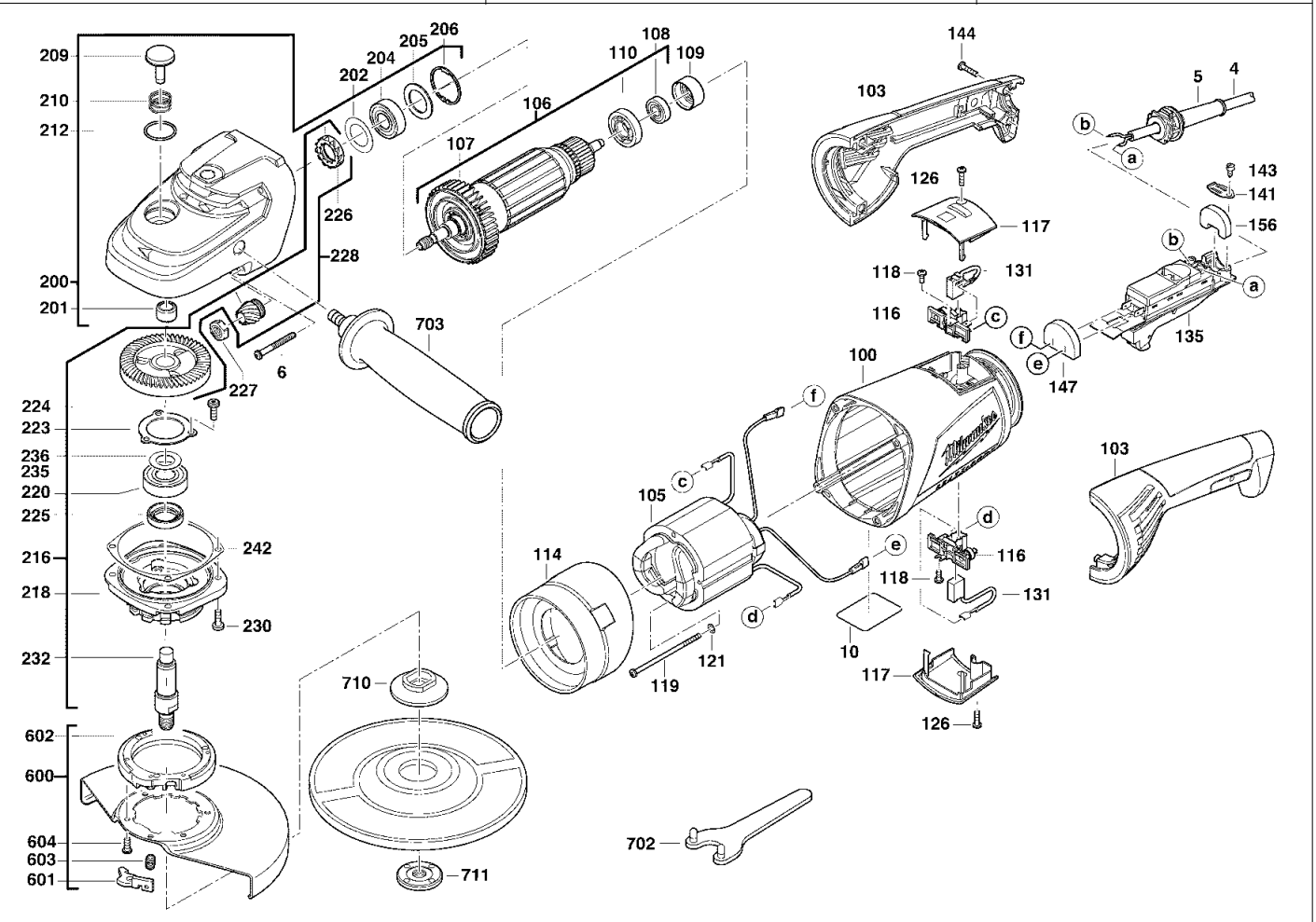
Ind	Product No.	Type	Voltage	Country
a	4000402657	AG24-230E DMS	220-240V	IN2
b	4000402615	AG24-230E	220-240V	IN2
c	4000402659	AG24-230E	220-240V	GB2

Angle Grinders

Milwaukee

AG 24-230 E

Exp.view No. Version Date Page
4926 4026 16 0001 31.01.08 1/2



Pos	Index	Quanti	Article No.	Designation	Pos	Index	Quanti	Article No.	Designation
0004	ab.....	1	4931622899	CONNECTION CABLE	0131	abc.....	1	4931395107	CARBON BRUSH SET
0004	..c.....	1	4931624580	CONNECTION CABLE	0135	a.c.....	1	4931402277	SWITCH
0005	abc.....	1	4931387206	PROTECTING COVER	0135	.b.....	1	4931402034	SWITCH
0006	abc.....	4	4931622765	SCREW	0141	abc.....	1	4931329273	CABLE COLLAR
0010	a.....	1	4931402658	RATING PLATE	0143	abc.....	1	4931624537	SCREW
0010	..b.....	1	4931402617	RATING PLATE	0144	abc.....	4	4931618253	SCREW
0010	..c.....	1	4931402660	RATING PLATE	0147	abc.....	1	4931402013	DUST SEAL
0100	abc.....	1	4931402268	MOTOR HOUSING	0156	abc.....	1	4931402286	DUST SEAL
0103	abc.....	1	4931402177	SWITCH HANDLE	0200	abc.....	1	4931402161	GEAR BOX
0105	abc.....	1	4931402628	ELECTRIC FIELD	0201	abc.....	1	4931621981	SLEEVE
0106	abc.....	1	4931402626	ARMATURE	0202	abc.....	1	4931621629	DISC
0107	abc.....	1	4931334394	FAN	0204	abc.....	1	4931624305	BALL BEARING
0108	abc.....	1	4931341741	BALL BEARING	0205	abc.....	1	4931622897	DISC
0109	abc.....	1	4931329086	RUBBER SLEEVE	0206	abc.....	1	4931334400	LOCKING RING
0110	abc.....	1	4931402219	SEAL RING	0209	abc.....	1	4931402166	LOCKING BOLT
0114	abc.....	1	4931402269	AIR DEFLECTOR RING	0210	abc.....	1	4931329173	PRESSURE SPRING
0116	abc.....	2	4931329079	BRUSH HOLDER	0212	abc.....	1	4931622764	O-RING
0117	abc.....	2	4931402169	COVER	0216	abc.....	1	4931402546	DRIVE GEAR
0118	abc.....	2	4931624538	SCREW	0218	abc.....	1	4931402240	GEAR ENDPLATE
0119	abc.....	2	4931331734	SCREW	0220	abc.....	1	9170316990	BEARING
0121	abc.....	2	4931619992	SPRING WASHER	0223	abc.....	1	4931402150	BEARING COVER
0126	abc.....	2	4931624537	SCREW	0224	abc.....	3	4931624147	SCREW

Repairs/modification and testing of electric power tools are to be carried out by specialists. The safety regulations according to DIN/VDE/CEE/AFNOR and other regulations valid in the different countries are to be observed.

