

# A & M Electric Tools

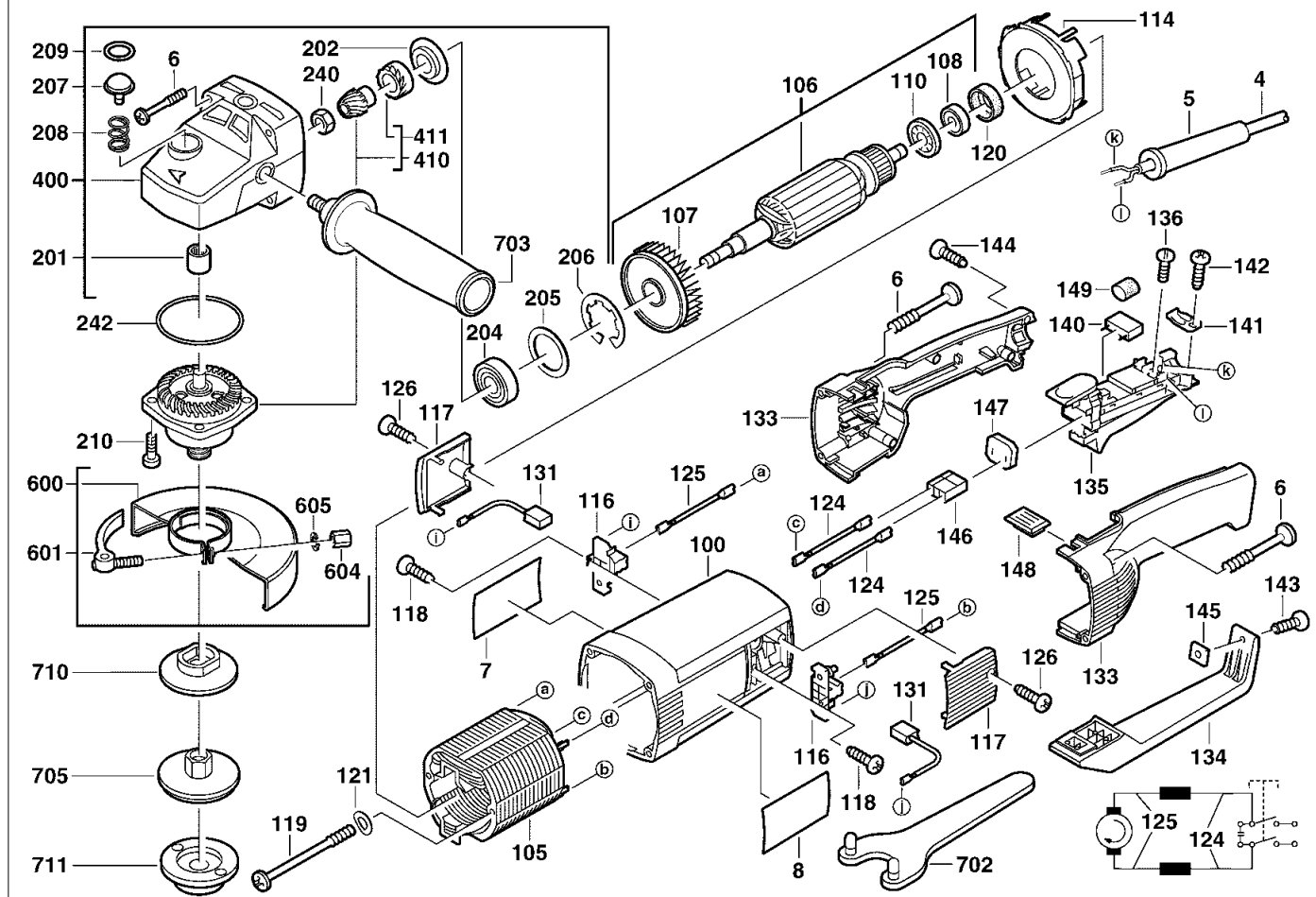
# Angle Grinders

Milwaukee

## AG 23-180

Exp.view No.      Version      Date      Page  
**4926 3934 14      0002      26.01.06      1/2**

Ind	Product No.	Type	Voltage	Country	Ind	Product No.	Type	Voltage	Country
a	4000393854	AG23-180	230V	IN2					
b	4000393875	AG23-180	240V	AUS					



Pos	Index	Quanti	Article No.	Designation	Pos	Index	Quanti	Article No.	Designation
0004	a.....	1	4931622899	CONNECTION CABLE	0124	ab.....	2	4931622785	WIRE
0004	b.....	1	4931624340	CONNECTION CABLE	0125	ab.....	2	4931622831	WIRE
0005	ab.....	1	4931217556	CABLE ENTRY SLEEVE	0126	ab.....	2	4931013472	SCREW
0006	a.....	8	4931622765	SCREW	0131	a.....	1	4931369479	CARBON BRUSH SET
0006	b.....	4	4931622765	SCREW	0133	ab.....	1	4931362785	HANDLE
0007	a.....	1	4931393856	RATING PLATE	0134	ab.....	1	4931383035	YOKE
0007	b.....	1	4931393876	RATING PLATE	0135	a.....	1	4931383044	SWITCH
0008	ab.....	1	4931378792	TYPE PLATE	0135	b.....	1	4931378784	SWITCH
0100	ab.....	1	4931362790	MOTOR HOUSING	0136	ab.....	2	4931940611	SCREW
0105	ab.....	1	4931393353	ELECTRIC FIELD	0140	ab.....	1	4931329272	CAPACITOR
0106	a.....	1	4931393354	ARMATURE	0141	ab.....	1	4931329273	CABLE COLLAR
0106	b.....	1	4931393386	ARMATURE	0142	ab.....	1	4931013472	SCREW
0107	ab.....	1	4931334394	FAN	0143	ab.....	1	4931622933	SCREW
0108	ab.....	1	4931341741	BALL BEARING	0144	ab.....	5	4931618253	SCREW
0110	ab.....	1	4931329084	SEAL RING	0145	ab.....	1	4931300231	CLAMPING PIECE
0114	ab.....	1	4931326156	AIR DEFLECTOR RING	0146	ab.....	1	4931329171	SWITCH MOUNTING
0116	ab.....	2	4931329079	BRUSH HOLDER	0147	ab.....	1	4931329503	SEAL RING
0117	ab.....	2	4931378798	COVER	0148	ab.....	1	4931329122	SUPPORT
0118	ab.....	2	4931624538	SCREW	0149	ab.....	1	4931341889	SPRING
0119	ab.....	2	4931329170	SCREW	0201	ab.....	1	4931621981	SLEEVE
0120	ab.....	1	4931329086	RUBBER SLEEVE	0202	ab.....	1	4931621629	DISC
0121	ab.....	2	4931619992	SPRING WASHER	0204	ab.....	1	4931624305	BALL BEARING

Repairs/modification and testing of electric power tools are to be carried out by specialists. The safety regulations according to DIN/VDE/CEE/AFNOR and other regulations valid in the different countries are to be observed.

# A & M Electric Tools

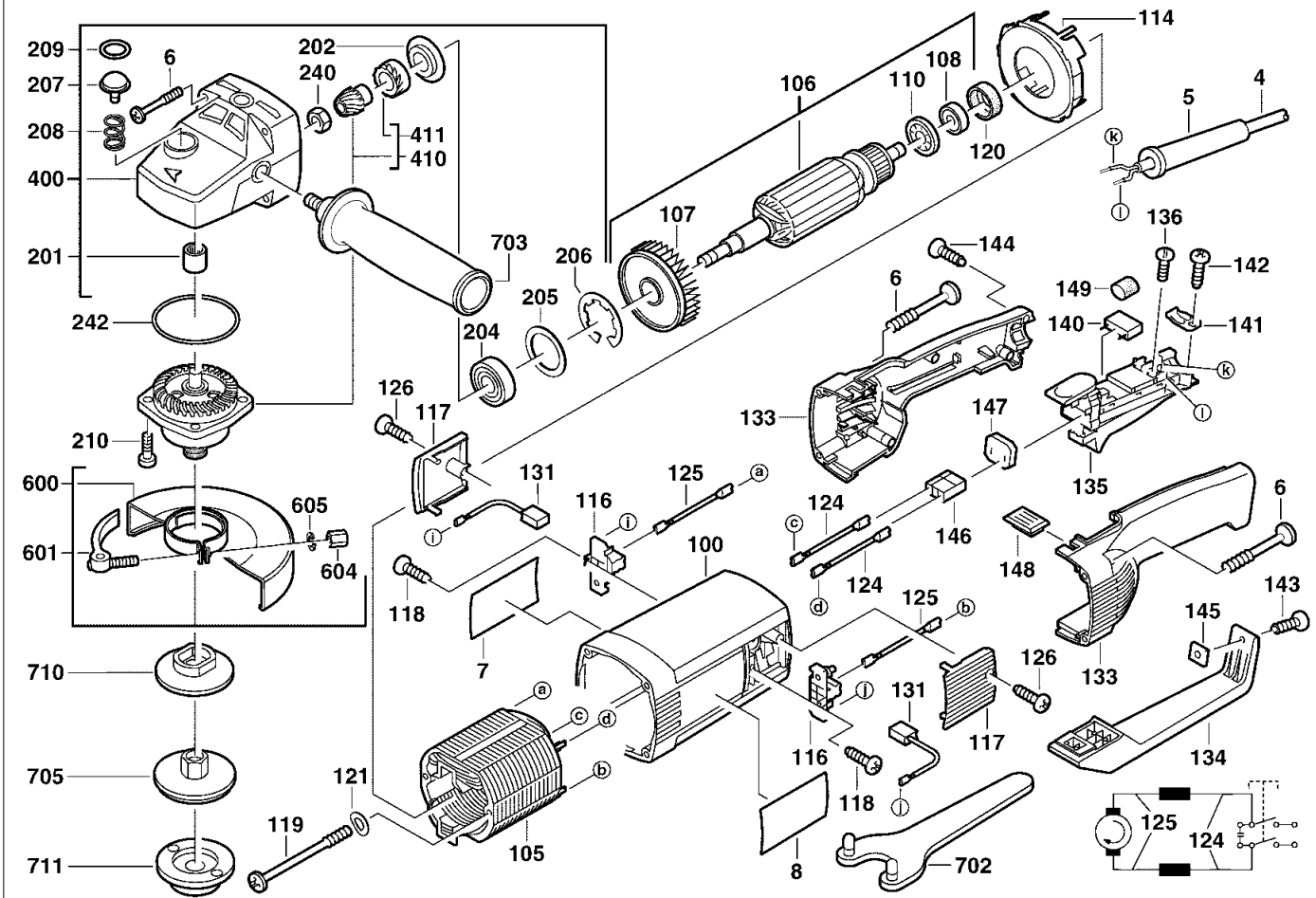
# Angle Grinders

Milwaukee

## AG 23-180

Exp.view No.      Version    Date      Page  
 4926 3934 14    0002    26.01.06    2/2

Ind	Product No.	Type	Voltage	Country	Ind	Product No.	Type	Voltage	Country
a	4000393854	AG23-180	230V	IN2					
b	4000393875	AG23-180	240V	AUS					



Pos	Index	Quanti	Article No.	Designation
0205	ab.....	1	4931622897	DISC
0206	ab.....	1	4931334400	LOCKING RING
0207	ab.....	1	4931329107	LOCKING BOLT
0208	ab.....	1	4931329173	PRESSURE SPRING
0209	ab.....	1	4931622764	O-RING
0210	ab.....	4	4931624147	SCREW
0240	ab.....	1	4931329494	NUT
0242	ab.....	1	4931329150	GASKET
0400	ab.....	1	4931378799	GEAR BOX
0410	ab.....	1	4931385683	DRIVE
0411	ab.....	1	4931329091	GREASE RETAIN.DIS
0600	ab.....	1	4931383881	GUARD CAP
0601	ab.....	1	4931383175	TENSION LEVER
0604	ab.....	1	4931615586	NUT
0605	ab.....	1	4931616932	SPRING WASHER
0702	a.....	1	4932367712	PIN SPANNER
0702	b.....	1	4932367712	PIN SPANNER
0703	ab.....	1	4932209035	HANDLE
0705	b.....	1	4932351632	CLAMPING FLANGE
0710	a.....	1	4932263299	CLAMPING FLANGE
0710	b.....	1	4932351632	CLAMPING FLANGE
0711	ab.....	1	4932345629	FLANGE NUT

Pos	Index	Quanti	Article No.	Designation
105				MOTOR
106				GEAR
107				GEAR
108				BEARING
110				GEAR
114				BEARING
120				GEAR
124				SWITCH CONTACT
125				SWITCH CONTACT
133				HANDLE
135				HANDLE
143				HANDLE
145				HANDLE
146				HANDLE
147				HANDLE
148				HANDLE
149				HANDLE
171				WASHER
172				WASHER
173				WASHER
174				WASHER
175				WASHER
176				WASHER
177				WASHER
178				WASHER
179				WASHER
180				WASHER
181				WASHER
182				WASHER
183				WASHER
184				WASHER
185				WASHER
186				WASHER
187				WASHER
188				WASHER
189				WASHER
190				WASHER
191				WASHER
192				WASHER
193				WASHER
194				WASHER
195				WASHER
196				WASHER
197				WASHER
198				WASHER
199				WASHER
200				WASHER
201				WASHER
202				WASHER
203				WASHER
204				WASHER
205				WASHER
206				WASHER
207				WASHER
208				WASHER
209				WASHER
210				WASHER
211				WASHER
212				WASHER
213				WASHER
214				WASHER
215				WASHER
216				WASHER
217				WASHER
218				WASHER
219				WASHER
220				WASHER
221				WASHER
222				WASHER
223				WASHER
224				WASHER
225				WASHER
226				WASHER
227				WASHER
228				WASHER
229				WASHER
230				WASHER
231				WASHER
232				WASHER
233				WASHER
234				WASHER
235				WASHER
236				WASHER
237				WASHER
238				WASHER
239				WASHER
240				WASHER
241				WASHER
242				WASHER
243				WASHER
244				WASHER
245				WASHER
246				WASHER
247				WASHER
248				WASHER
249				WASHER
250				WASHER
251				WASHER
252				WASHER
253				WASHER
254				WASHER
255				WASHER
256				WASHER
257				WASHER
258				WASHER
259				WASHER
260				WASHER
261				WASHER
262				WASHER
263				WASHER
264				WASHER
265				WASHER
266				WASHER
267				WASHER
268				WASHER
269				WASHER
270				WASHER
271				WASHER
272				WASHER
273				WASHER
274				WASHER
275				WASHER
276				WASHER
277				WASHER
278				WASHER
279				WASHER
280				WASHER
281				WASHER
282				WASHER
283				WASHER
284				WASHER
285				WASHER
286				WASHER
287				WASHER
288				WASHER
289				WASHER
290				WASHER
291				WASHER
292				WASHER
293				WASHER
294				WASHER
295				WASHER
296				WASHER
297				WASHER
298				WASHER
299				WASHER
300				WASHER

Repairs/modification and testing of electric power tools are to be carried out by specialists. The safety regulations according to DIN/VDE/CEE/AFNOR and other regulations valid in the different countries are to be observed.