

# A & M Electric Tools

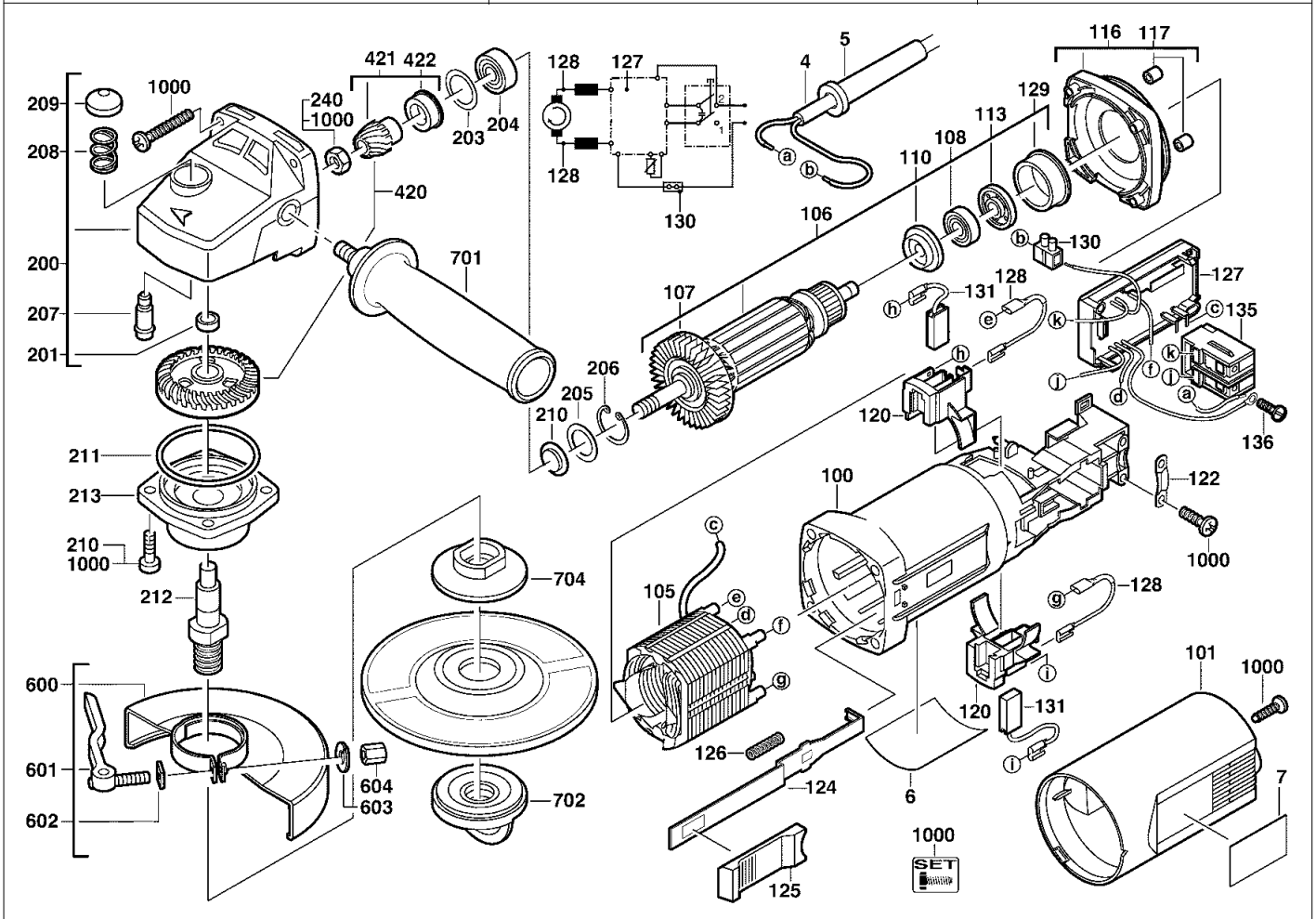
# Angle Grinders

Ind	Product No.	Type	Voltage	Country
a	4000362841	AG1500-150XC	220-240V	IN2
b	4000369071	AG1500-150XC	230V	CH2

Ind	Product No.	Type	Voltage	Country

Atlas Copco  
**AG1500-150XC**

Exp.view No.      Version      Date      Page  
**4926 3628 44      0008 18.10.01      1/2**



Pos	Index	Quanti	Article No.	Designation	Pos	Index	Quanti	Article No.	Designation
0004	a.....	1	4931623861	CONNECTION CABLE	0127	ab.....	1	4931362676	ELECTRONIC ELEMENT
0004	.b.....	1	4931362300	CONNECTION CABLE	0128	ab.....	2	4931623738	WIRE
0005	a.....	1	4931218785	CABLE ENTRY SLEEVE	0129	ab.....	1	4931326953	BEARING SLEEVE
0005	.b.....	1	4931206687	CABLE ENTRY SLEEVE	0130	ab.....	1	4931341008	TERMINAL STRIP
0006	a.....	1	4931362845	RATING PLATE	0131	ab.....	1	4931369477	CARBON BRUSH SET
0006	.b.....	1	4931369073	RATING PLATE	0135	ab.....	1	4931326976	SWITCH
0007	ab.....	1	4931355134	DATA PLATE	0136	ab.....	1	4931617313	SCREW
0100	ab.....	1	4931326911	HOUSING	0200	a.....	1	4931369768	GEAR BOX
0101	ab.....	1	4931326966	HOUSING CAP	0200	.b.....	1	4931362893	GEAR BOX
0105	ab.....	1	4931378394	ELECTRIC FIELD	0201	ab.....	1	4931912093	SLEEVE
0106	ab.....	1	4931362615	ARMATURE	0203	a.....	1	4931362085	WASHER
0107	ab.....	1	4931341088	FAN	0204	ab.....	1	4931368037	GROOVED BALL BEAR.
0108	ab.....	1	4931901253	BALL BEARING	0205	ab.....	1	4931622761	DISC
0110	ab.....	1	4931271823	INSULATING DISC	0206	ab.....	1	4931616614	LOCKING RING
0113	ab.....	1	4931307147	MAGNETIC DISC	0207	ab.....	1	4931326929	LOCKING BOLT
0116	ab.....	1	4931362611	INTERMEDIATE FLANG	0208	ab.....	1	4931326942	PRESSURE SPRING
0117	ab.....	2	4931271824	HOLDING-DOWN DEVIC	0209	ab.....	1	4931326930	PUSH-BUTTON
0120	ab.....	2	4931326923	BRUSH HOLDER	0210	a.....	1	4931622009	SEAL RING
0122	ab.....	1	4931256500	CABLE COLLAR	0210	.b.....	4	4931317532	SCREW
0124	ab.....	1	4931326959	GUIDE PIECE	0211	ab.....	1	4931254894	COMPENSATING WASH
0125	ab.....	1	4931362904	SLIDER	0212	ab.....	1	4931369771	SPINDLE
0126	ab.....	1	4931326981	PRESSURE SPRING	0213	ab.....	1	4931385803	BEARING END PLATE

Repairs/modification and testing of electric power tools are to be carried out by specialists. The safety regulations according to DIN/VDE/CEE/AFNOR and other regulations valid in the different countries are to be observed.

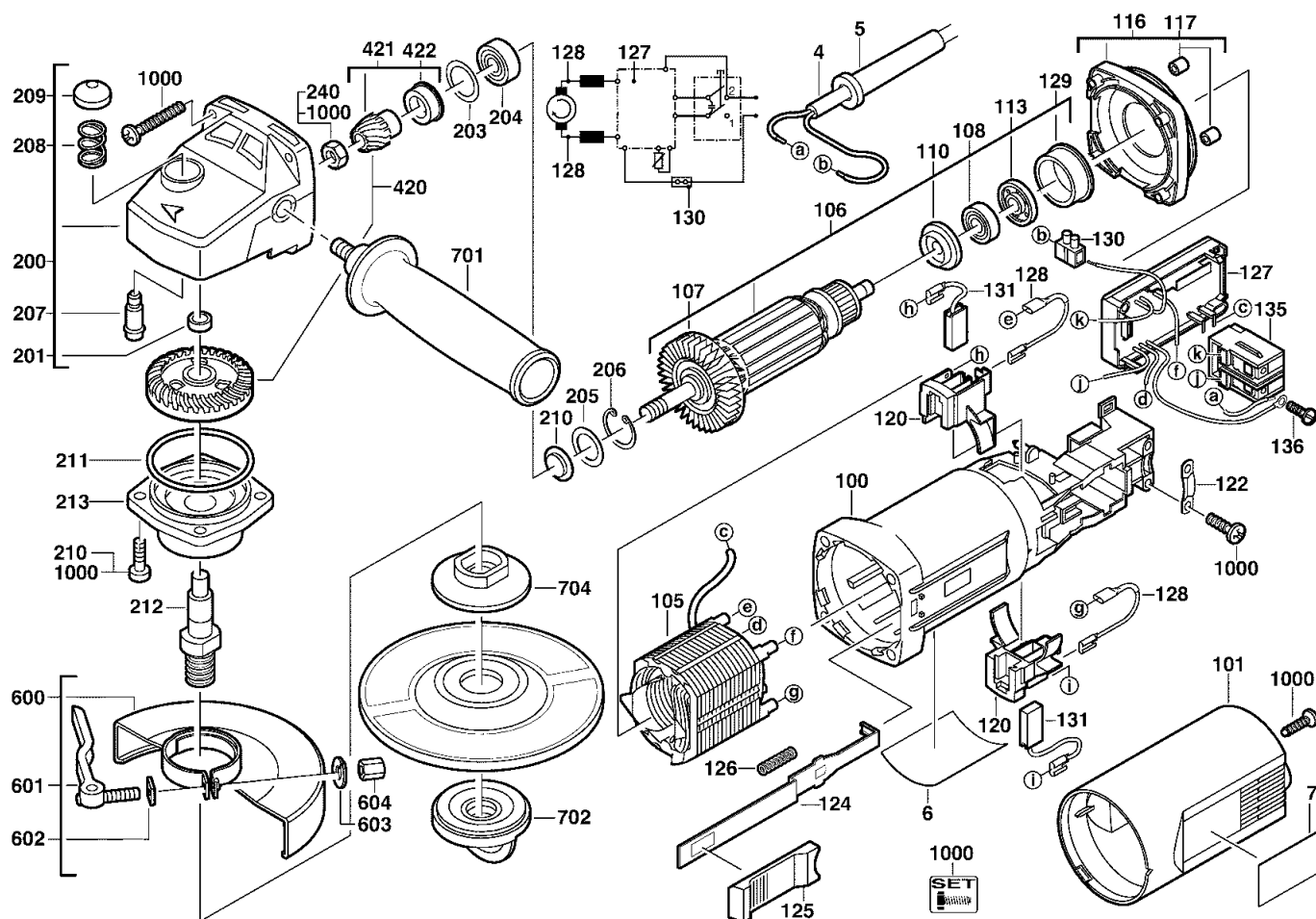
# A & M Electric Tools

Ind	Product No.	Type	Voltage	Country
a	4000362841	AG1500-150XC	220-240V	IN2
b	4000369071	AG1500-150XC	230V	CH2

# Angle Grinders

Atlas Copco  
**AG1500-150XC**

Exp.view No.      Version      Date      Page  
**4926 3628 44    0008    18.10.01    2/2**



Pos	Index	Quanti	Article No.	Designation
0240	.b.....	1	4931326952	NUT
0420	a.....	1	4931369887	BEVEL GEAR PAIR
0420	.b.....	1	4931369887	BEVEL GEAR PAIR
0421	a.....	1	4931369773	PINION
0421	.b.....	1	4931369773	PINION
0422	a.....	1	4931369774	SEAL RING
0422	.b.....	1	4931369774	SEAL RING
0600	ab.....	1	4931341023	GUARD CAP
0601	ab.....	1	4931318368	CLAMPING LEVER
0602	ab.....	1	4931318117	SLIDE PLATE
0603	ab.....	1	4931612185	SPRING WASHER
0604	ab.....	1	4931318103	NUT
0701	ab.....	1	4932279371	HANDLE
0702	ab.....	1	4932358225	FIXTEC NUT
0704	ab.....	1	4932263299	CLAMPING FLANGE
1000	ab.....	1	4931362846	BOLT SET

Pos	Index	Quanti	Article No.	Designation
-----	-------	--------	-------------	-------------