

# A & M Electric Tools

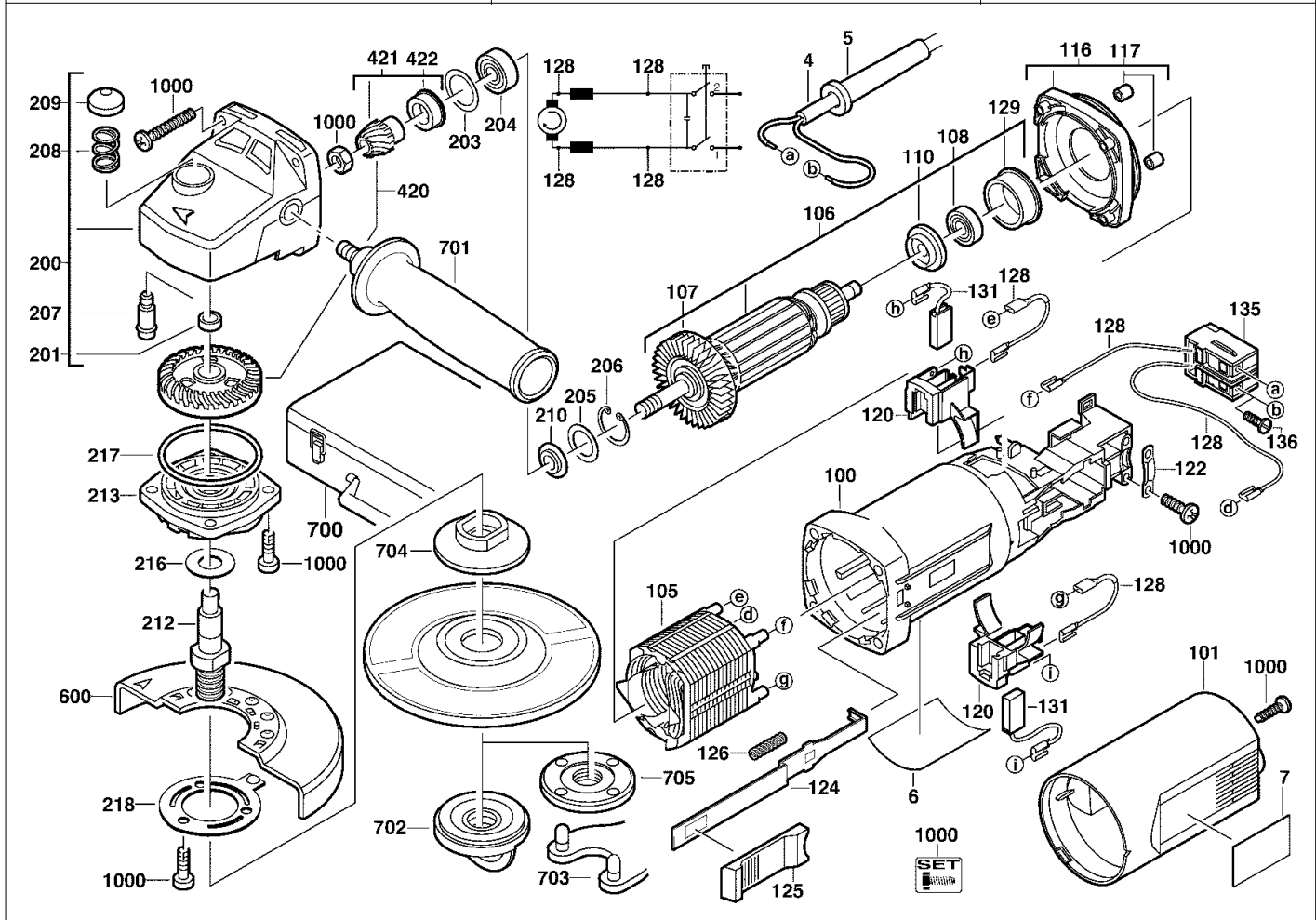
# Angle Grinders

Ind	Product No.	Type	Voltage	Country
a	4000362826	AG1200-125X	220-240V	IN2
b	4000362876	AG1200-125X	240V	GB2
c	4000369040	AG1200-125X	240V	AUS
d	4000369056	AG1200-125X	230V	CH2
e	4000369493	AG1200-125X	220-240V	IN2
f	4000369606	AG1200-125X	240V	GB2
g	4000369751	AG1200-125X	220-240V	AUS
h	4000369981	AG1200-125	220-240V	IN2

Ind	Product No.	Type	Voltage	Country

**Atlas Copco**  
**AG1200-125X**  
**AG1200-125**

Exp.view No.      Version    Date      Page  
**4926 3628 29    0011    17.10.01    1/2**



Pos	Index	Quanti	Article No.	Designation	Pos	Index	Quanti	Article No.	Designation
0004	a...e..h.....	1	4931623861	CONNECTION CABLE	0116	abcdefgh.....	1	4931362611	INTERMEDIATE FLANG
0004	.b...f.....	1	4931369241	CONNECTION CABLE	0117	abcdefgh.....	2	4931271824	HOLDING-DOWN DEVIC
0004	.c...g.....	1	4931624334	CONNECTION CABLE	0120	abcdefgh.....	2	4931326923	BRUSH HOLDER
0004	...d.....	1	4931622900	CONNECTION CABLE	0122	abcdefgh.....	1	4931256500	CABLE COLLAR
0005	ab..ef.h.....	1	4931218785	CABLE ENTRY SLEEVE	0124	abcdefgh.....	1	4931326959	GUIDE PIECE
0005	.cd..g.....	1	4931206687	CABLE ENTRY SLEEVE	0125	abcdefgh.....	1	4931362904	SLIDER
0006	a.....	1	4931362830	RATING PLATE	0126	abcdefgh.....	1	4931326981	PRESSURE SPRING
0006	.b.....	1	4931362884	RATING PLATE	0128	abcdefgh.....	4	4931623735	WIRE
0006	.c.....	1	4931369042	RATING PLATE	0129	abcdefgh.....	1	4931326953	BEARING SLEEVE
0006	...d.....	1	4931369058	RATING PLATE	0131	abcdefgh.....	1	4931369477	CARBON BRUSH SET
0006	...e.....	1	4931369495	RATING PLATE	0135	abcdefgh.....	1	4931326976	SWITCH
0006	...f.....	1	4931369608	RATING PLATE	0136	abcdefgh.....	2	4931617313	SCREW
0006	...g.....	1	4931369753	RATING PLATE	0200	a.cd...h.....	1	4931369768	GEAR BOX
0006	...h.....	1	4931369984	RATING PLATE	0200	.b..efg.....	1	4931362893	GEAR BOX
0007	abcdefgh.....	1	4931355134	DATA PLATE	0201	abcdefgh.....	1	4931912093	SLEEVE
0100	abcdefgh.....	1	4931326911	HOUSING	0203	a.cd...h.....	1	4931362085	WASHER
0101	abcdefgh.....	1	4931326966	HOUSING CAP	0204	abcdefgh.....	1	4931368037	GROOVED BALL BEAR.
0105	abcdefgh.....	1	4931369044	ELECTRIC FIELD	0205	abcdefgh.....	1	4931622761	DISC
0106	abcdefgh.....	1	4931362685	ARMATURE	0206	abcdefgh.....	1	4931616614	LOCKING RING
0107	abcdefgh.....	1	4931341088	FAN	0207	abcdefgh.....	1	4931326929	LOCKING BOLT
0108	abcdefgh.....	1	4931901253	BALL BEARING	0208	abcdefgh.....	1	4931326942	PRESSURE SPRING
0110	abcdefgh.....	1	4931271823	INSULATING DISC	0209	abcdefgh.....	1	4931326930	PUSH-BUTTON

Repairs/modification and testing of electric power tools are to be carried out by specialists. The safety regulations according to DIN/VDE/CEE/AFNOR and other regulations valid in the different countries are to be observed.

# A & M Electric Tools

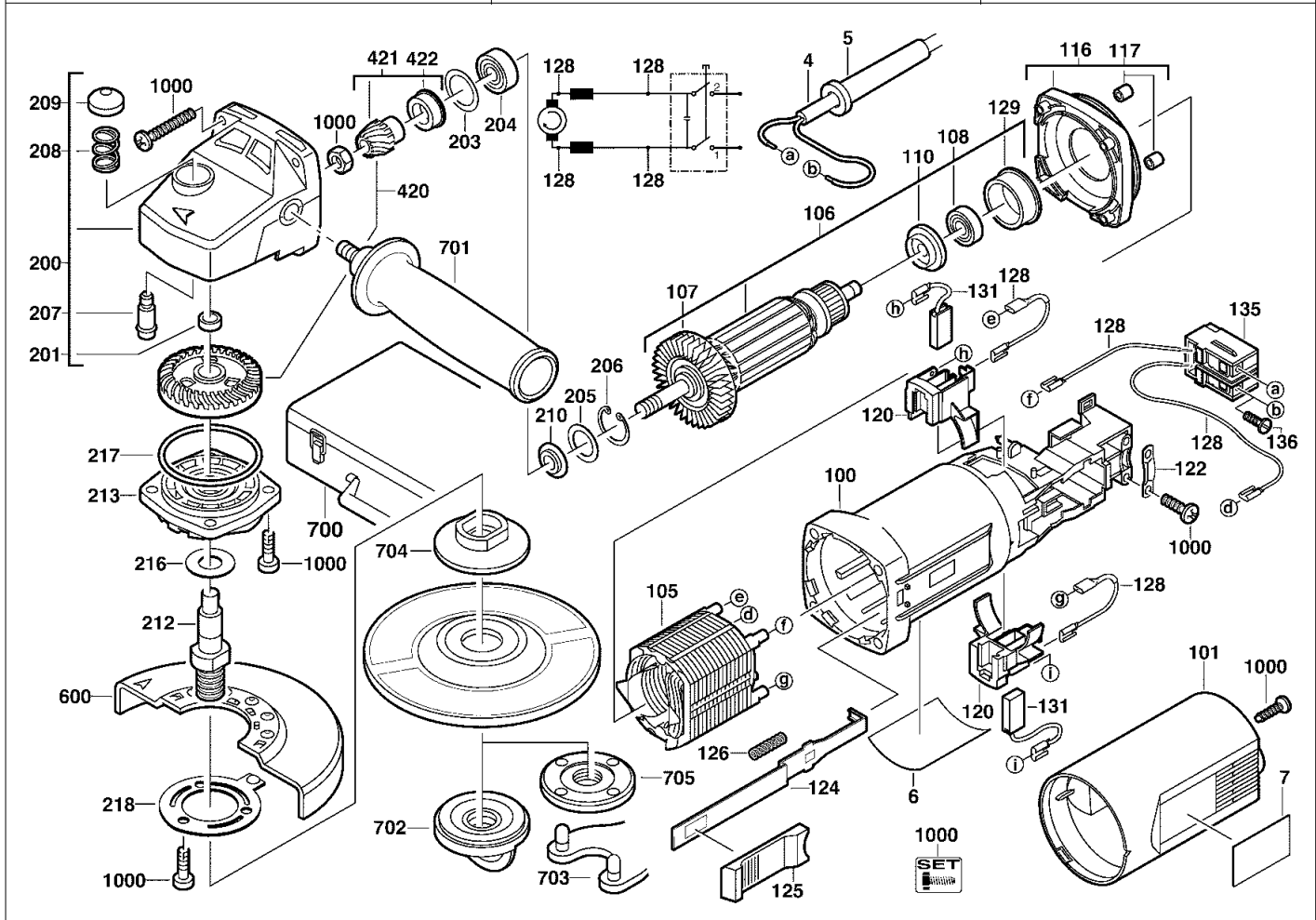
# Angle Grinders

Ind	Product No.	Type	Voltage	Country
a	4000362826	AG1200-125X	220-240V	IN2
b	4000362876	AG1200-125X	240V	GB2
c	4000369040	AG1200-125X	240V	AUS
d	4000369056	AG1200-125X	230V	CH2
e	4000369493	AG1200-125X	220-240V	IN2
f	4000369606	AG1200-125X	240V	GB2
g	4000369751	AG1200-125X	220-240V	AUS
h	4000369981	AG1200-125	220-240V	IN2

Ind	Product No.	Type	Voltage	Country

**Atlas Copco**  
**AG1200-125X**  
**AG1200-125**

Exp.view No.      Version      Date      Page  
**4926 3628 29      0011      17.10.01      2/2**



Pos	Index	Quanti	Article No.	Designation
0210	a.cd...h.....	1	4931622009	SEAL RING
0212	abcdegh.....	1	4931369770	SPINDLE
0213	abcdegh.....	1	4931378310	BEARING END PLATE
0216	abcdegh.....	1	4931623480	DISC
0217	abcdegh.....	1	4931623590	SEAL RING
0218	abcdegh.....	1	4931345965	SPRING WASHER
0420	a.cd...h.....	1	4931369937	BEVEL GEAR PAIR
0420	.b..efg.....	1	4931362896	BEVEL GEAR PAIR
0421	a.cd...h.....	1	4931369934	PINION
0421	.b..efg.....	1	4931369934	PINION
0422	a.cd...h.....	1	4931369774	SEAL RING
0422	.b..efg.....	1	4931369774	SEAL RING
0600	a...efg.....	1	4931378168	GUARD CAP
0600	.bcd...h.....	1	4931378168	GUARD CAP
0700	a..d.....	1	4932362771	CARRYING CASE
0700	...efg.....	1	4931369486	CARRYING CASE
0701	abcdegh.....	1	4932279371	HANDLE
0702	abcdegh.....	1	4932358225	FIXTEC NUT
0703	.....h.....	1	4932367712	PIN SPANNER
0704	abcdegh.....	1	4932263299	CLAMPING FLANGE
0705	.....h.....	1	4932345628	FLANGE NUT
1000	abcdegh.....	1	4931362846	BOLT SET

Pos	Index	Quanti	Article No.	Designation

Repairs/modification and testing of electric power tools are to be carried out by specialists. The safety regulations according to DIN/VDE/CEE/AFNOR and other regulations valid in the different countries are to be observed.