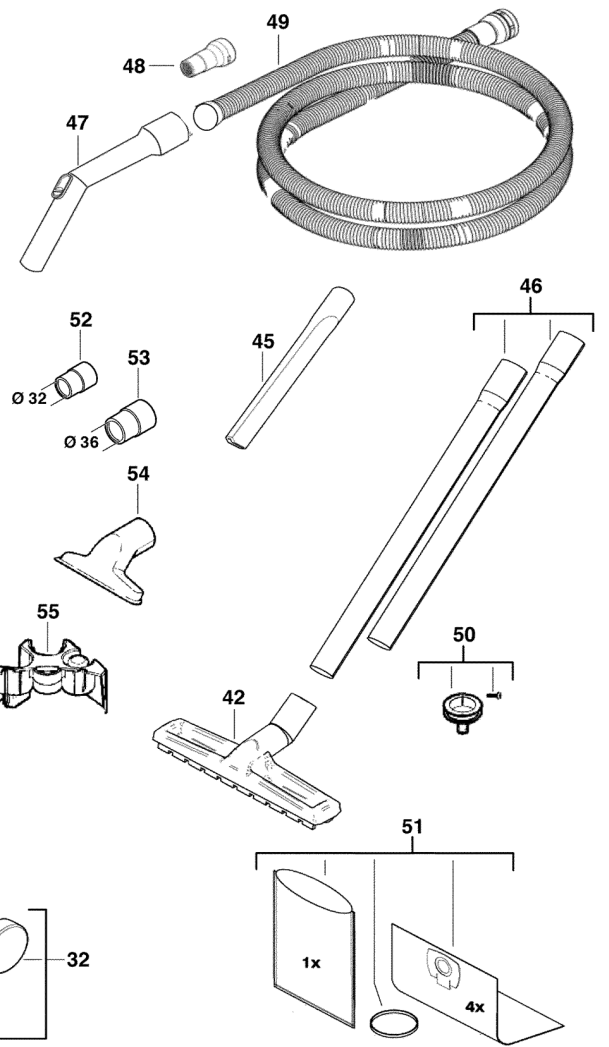
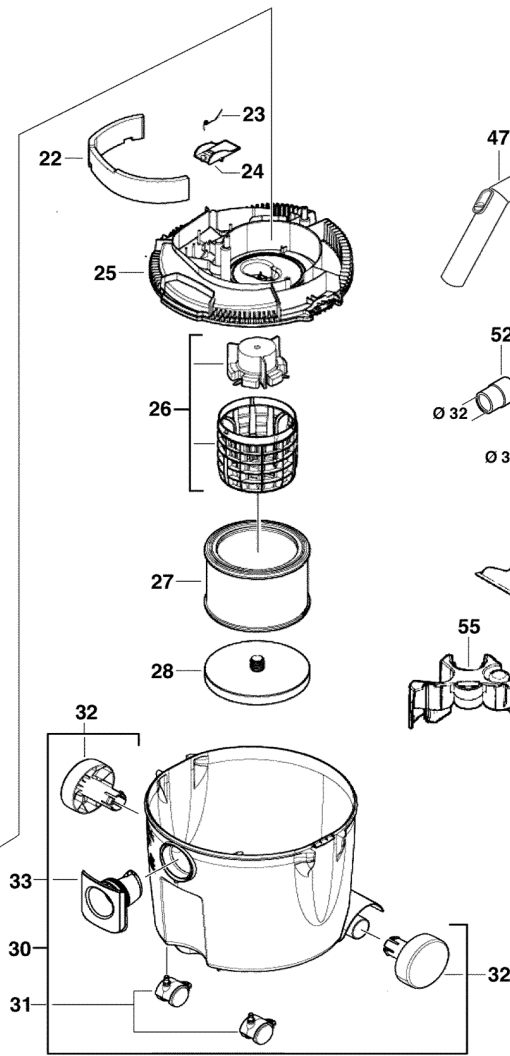
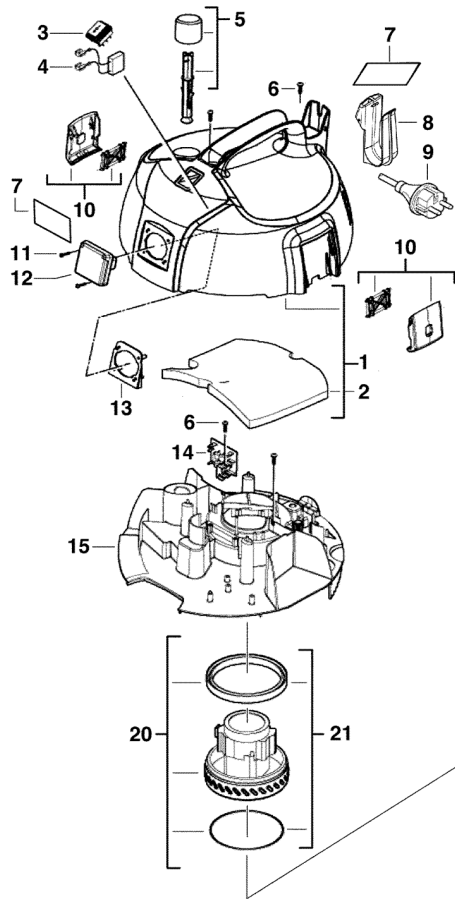


WET-DRY CLEANER

4933416050 - AS250ECP - 4000416051



| Position | Quantity | Description | Part number | EAN |
|----------|----------|--------------------------------------|-------------|---------------|
| 0001 | 1 | COVER | 4931416110 | 4002395805297 |
| 0002 | 1 | DAMPING ELEMENT | 4931416246 | 4002395796311 |
| 0003 | 1 | SWITCH | 4931416247 | 4002395796328 |
| 0004 | 1 | CAPACITOR | 4931416248 | 4002395796335 |
| 0005 | 1 | FILTER | 4931416111 | 4002395805303 |
| 0006 | 1 | BOLT SET | 4931416296 | 4002395797196 |
| 0007 | 1 | RATING PLATE | 4931416112 | 4002395805310 |
| 0008 | 1 | PLIERS | 4931416254 | 4002395796397 |
| 0009 | 1 | CONNECTION CABLE | 4931416255 | 4002395796403 |
| 0010 | 2 | SET | 4931416258 | 4002395796434 |
| 0011 | 1 | BOLT SET | 4931416295 | 4002395797189 |
| 0012 | 1 | WALL SOCKET | 4931416260 | 4002395796458 |
| 0013 | 1 | PLUG SOCKET | 4931416263 | 4002395796489 |
| 0014 | 1 | ELECTRONIC | 4931416264 | 4002395796496 |
| 0015 | 1 | LATCH PLATE | 4931416265 | 4002395796502 |
| 0020 | 1 | MOTOR ASSEMBLY | 4931416266 | 4002395796519 |
| 0021 | 1 | MOTOR PLATE | 4931416269 | 4002395796540 |
| 0022 | 1 | DAMPING ELEMENT | 4931416270 | 4002395796557 |
| 0023 | 1 | SPRING ELEMENT | 4931416271 | 4002395796564 |
| 0024 | 1 | COVER | 4931416324 | 4002395797875 |
| 0025 | 1 | PLATE | 4931416273 | 4002395796588 |
| 0026 | 1 | FILTER HOLDER | 4931416274 | 4002395796595 |
| 0028 | 1 | FILTER HOLDER | 4931416275 | 4002395797004 |
| 0030 | 1 | TANK | 4931416115 | 4002395805341 |
| 0031 | 2 | WHEEL SET | 4931416277 | 4002395797028 |
| 0032 | 2 | WHEEL SET | 4931416278 | 4002395797035 |
| 0033 | 1 | SET | 4931416279 | 4002395797042 |
| 0045 | 1 | NOZZLE | 4931416284 | 4002395797097 |
| 0046 | 1 | SUCTION PIPE | 4931416285 | 4002395797103 |
| 0047 | 1 | SUCTION CONNECTION | 4931416286 | 4002395797110 |
| 0048 | 1 | ADAPTER | 4931416287 | 4002395797127 |
| 0050 | 1 | HOLDER | 4931411889 | 4002395831043 |
| 0052 | 1 | MUFF | 4931416058 | 4002395825967 |
| 0053 | 1 | MUFF | 4931416059 | 4002395826599 |
| 0054 | 1 | NOZZLE | 4931416283 | 4002395797080 |
| 0055 | 1 | ACCEPTANCE | 4931411888 | 4002395831036 |
| 0027 | 1 | FILTER CARTRIDGE Filter Cartdge P1AM | 4932352303 | 4002395369621 |
| 0042 | 1 | ALL-PURPOSE NOZZLE CLEAN LINE P1 A/M | 4932276046 | 4002395303236 |
| 0049 | 1 | SUCTION HOSE hose 3.5m P1AM | 4932352312 | 4002395369713 |
| 0051 | 1 | FILTER (CLOTH) Filter Bag 5 pc P5AM | 4932352306 | 4002395369652 |