

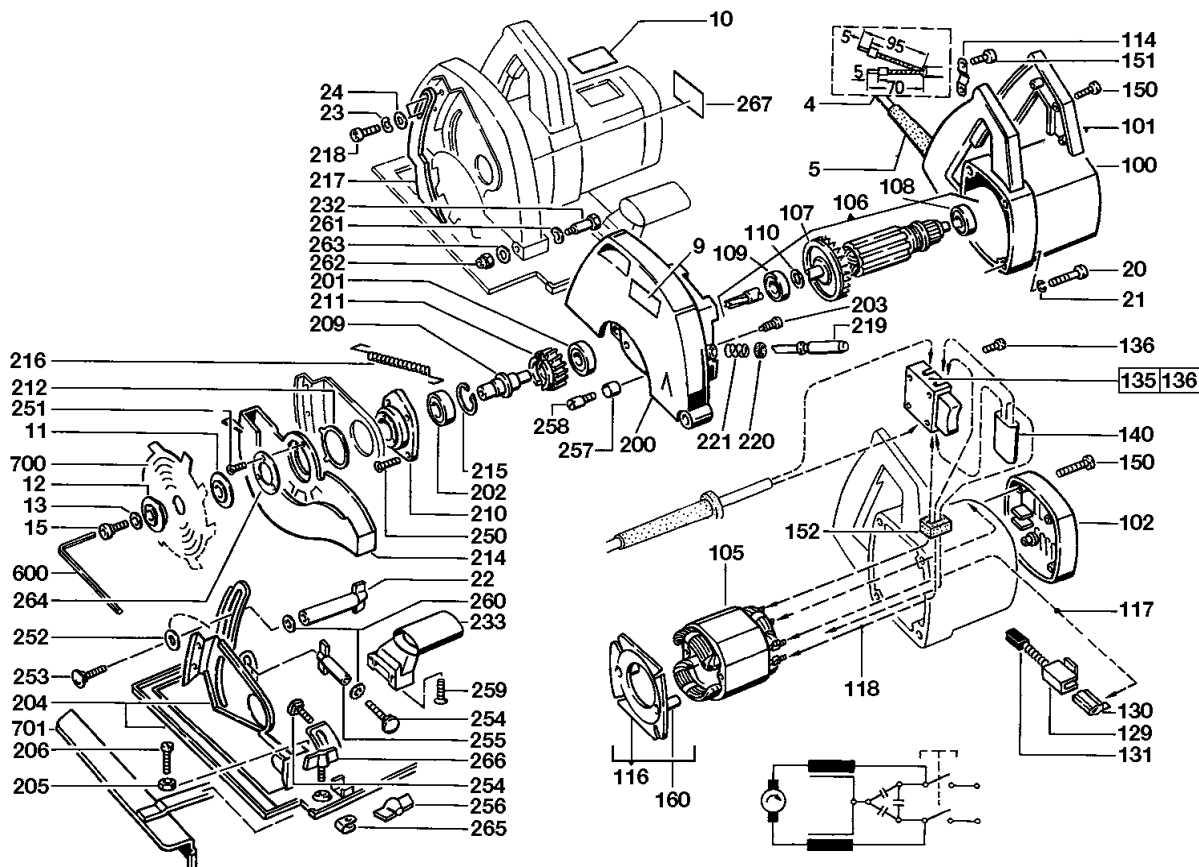
# A & M Electric Tools

Ind	Product No.	Type	Voltage	Country
a	4000383706	CS75	220V	IN2
b	4000383721	CS75	240V	GB2
c	4000383751	CS75	110V	GB1

# Circular Saws

**Milwaukee**  
**CS 75**

Exp.view No.      Version    Date      Page  
**4926 3837 09    0005 27.06.07 1/3**



Pos	Index	Quanti	Article No.	Designation	Pos	Index	Quanti	Article No.	Designation
0004	a.....	1	4931622543	CONNECTION CABLE	0106	a.....	1	4931317677	ARMATURE
0004	.b.....	1	4931623827	CONNECTION CABLE	0106	.b.....	1	4931317709	ARMATURE
0004	..c.....	1	4931623823	CONNECTION CABLE	0106	..c.....	1	4931317678	ARMATURE
0005	abc.....	1	4931322536	CABLE ENTRY SLEEVE	0107	abc.....	1	4931317671	FAN
0009	abc.....	1	4931382710	NAME PLATE	0108	abc.....	1	4931341741	BALL BEARING
0010	a.....	1	4931383713	RATING PLATE	0109	abc.....	1	4931901241	BALL BEARING
0010	.b.....	1	4931383724	RATING PLATE	0110	abc.....	1	4931907954	DISC
0010	..c.....	1	4931383754	RATING PLATE	0114	abc.....	1	4931256500	CABLE COLLAR
0011	abc.....	1	4931317023	DISC	0116	abc.....	1	4931317676	AIR DEFLECTOR RING
0012	abc.....	1	4931317024	BACKING FLANGE	0117	ab.....	2	4931623303	WIRE
0013	abc.....	1	4931276977	WASHER	0117	..c.....	2	4931622519	WIRE
0015	abc.....	1	4931621490	SCREW	0118	ab.....	2	4931623304	WIRE
0020	abc.....	4	4931613201	SCREW	0118	..c.....	2	4931622520	WIRE
0021	abc.....	4	4931615407	SPRING WASHER	0129	ab.....	2	4931317223	BRUSH HOLDER INSUL
0022	abc.....	1	4931259172	T-HANDLE	0129	..c.....	2	4931259032	BRUSH HOLDER INSUL
0023	abc.....	2	4931621492	SPRING WASHER	0130	abc.....	2	4931259031	BRUSH HOLDER
0024	abc.....	1	4931303910	FISH-PLATE	0131	abc.....	1	4931392572	CARBON BRUSH SET
0100	abc.....	1	4931383714	MOTOR HOUSING	0135	ab.....	1	4931338595	SWITCH
0101	abc.....	1	4931383716	HANDLE COVER	0136	abc.....	4	4931621772	SCREW
0102	abc.....	1	4931259153	HOUSING COVER	0136	..c.....	4	4931621772	SCREW
0105	ab.....	1	4931317350	ELECTRIC FIELD	0140	abc.....	1	4931303215	CAPACITOR
0105	..c.....	1	4931317214	ELECTRIC FIELD	0150	abc.....	9	4931618253	SCREW

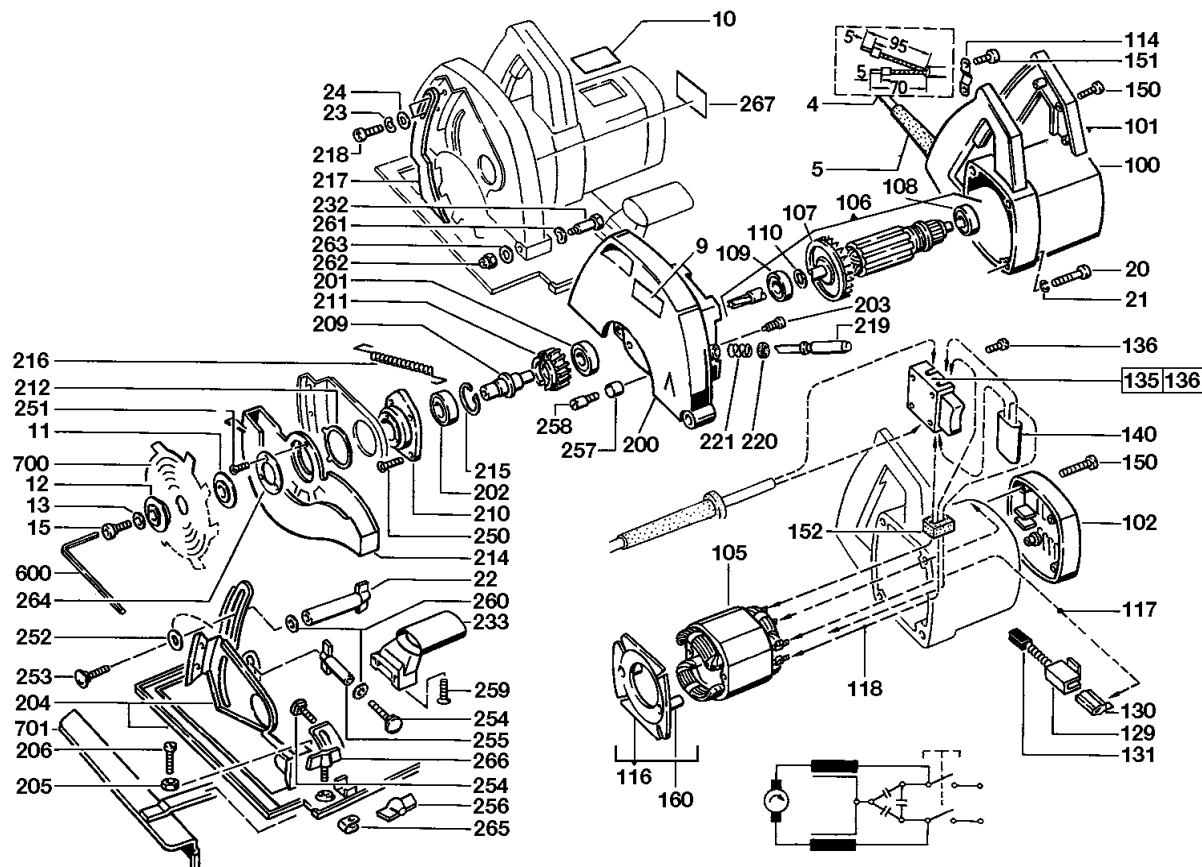
Repairs/modification and testing of electric power tools are to be carried out by specialists. The safety regulations according to DIN/VDE/CEE/AFNOR and other regulations valid in the different countries are to be observed.

# A & M Electric Tools

# Circular Saws

Ind	Product No.	Type	Voltage	Country	Ind	Product No.	Type	Voltage	Country
a	4000383706	CS75	220V	IN2					
b	4000383721	CS75	240V	GB2					
c	4000383751	CS75	110V	GB1					

Milwaukee		
CS 75		
Exp.view No.	Version	Date
4926 3837 09	0005	27.06.07
Page 2/3		



Pos	Index	Quanti	Article No.	Designation	Pos	Index	Quanti	Article No.	Designation
0151	abc	2	4931624538	SCREW	0232	abc	1	4931273219	FASTENING BOLT
0152	abc	1	4931259091	WASHER	0233	abc	1	4931346578	HANDLE
0160	abc	2	4931225758	PRESSURE SPRING	0250	abc	4	4931620612	SCREW
0200	abc	1	4931383718	GUARD CAP	0251	abc	3	4931620636	SCREW
0201	abc	1	4931341741	BALL BEARING	0252	abc	1	4931806695	DISC
0202	abc	1	4931623202	BALL BEARING	0253	abc	1	4931617010	SCREW
0203	abc	1	4931317800	SCREW	0254	abc	2	4931615497	SCREW
0204	abc	1	4931303898	GROUND PLATE	0255	abc	1	4931259173	T-HANDLE
0205	abc	1	4931621424	NUT	0256	abc	1	4931259174	T-HANDLE
0206	abc	1	4931620737	SCREW	0257	abc	1	4931259183	STOP
0209	abc	1	4931273214	SPINDLE	0258	abc	1	4931259096	SCREW
0210	abc	1	4931317829	BEARING COVER	0259	abc	2	4931623379	SCREW
0211	abc	1	4931317785	GEAR	0260	abc	2	4931615511	SEALING WASHER
0212	abc	1	4931259165	SLEEVE	0261	abc	1	4931621492	SPRING WASHER
0214	abc	1	4931276584	SAW PROTECTION	0262	abc	1	4931621502	NUT
0215	abc	1	4931605484	RING	0263	abc	1	4931615511	SEALING WASHER
0216	abc	1	4931273224	SPRING	0264	abc	1	4931259015	WASHER
0217	abc	1	4931276579	SPLITTING WEDGE	0265	abc	1	4931259175	PRESSURE PLATE
0218	abc	2	4931273254	SCREW	0266	abc	1	4931259185	SCREW
0219	abc	1	4931338604	LOCKING BOLT	0267	abc	1	4931323341	INSTRUCTION PLATE
0220	abc	1	4931303817	GASKET	0600	abc	1	4931616068	HEX WRENCH
0221	abc	1	4931303788	PRESSURE SPRING	0700	abc	1	4932259182	CIRCULAR SAW BLADE

Repairs/modification and testing of electric power tools are to be carried out by specialists. The safety regulations according to DIN/VDE/CEE/AFNOR and other regulations valid in the different countries are to be observed.

# A & M Electric Tools

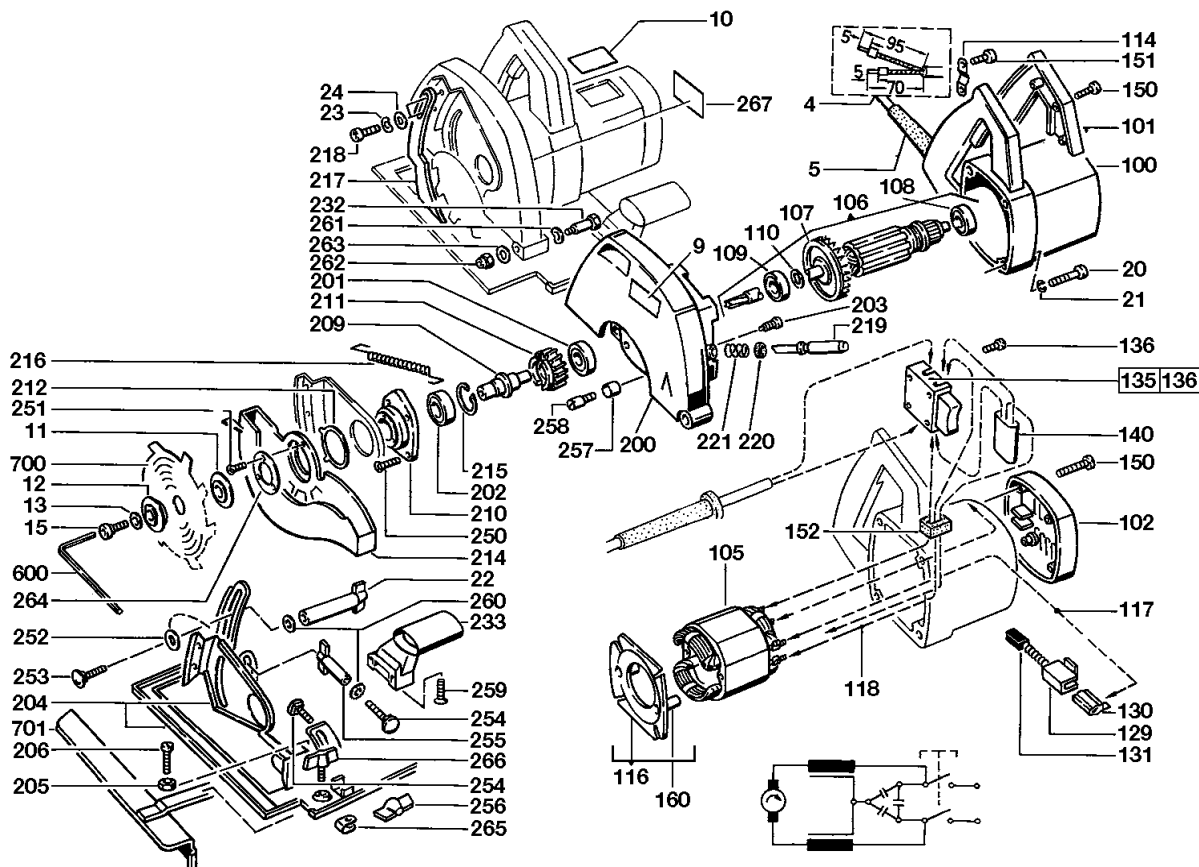
# Circular Saws

Ind	Product No.	Type	Voltage	Country
a	4000383706	CS75	220V	IN2
b	4000383721	CS75	240V	GB2
c	4000383751	CS75	110V	GB1

Ind	Product No.	Type	Voltage	Country

**Milwaukee**  
**CS 75**

Exp.view No.      Version    Date      Page  
**4926 3837 09    0005 27.06.07    3/3**



Pos	Index	Quanti	Article No.	Designation
0701	abc.....	1	4932276288	PARALLEL GUIDE

Pos	Index	Quanti	Article No.	Designation