

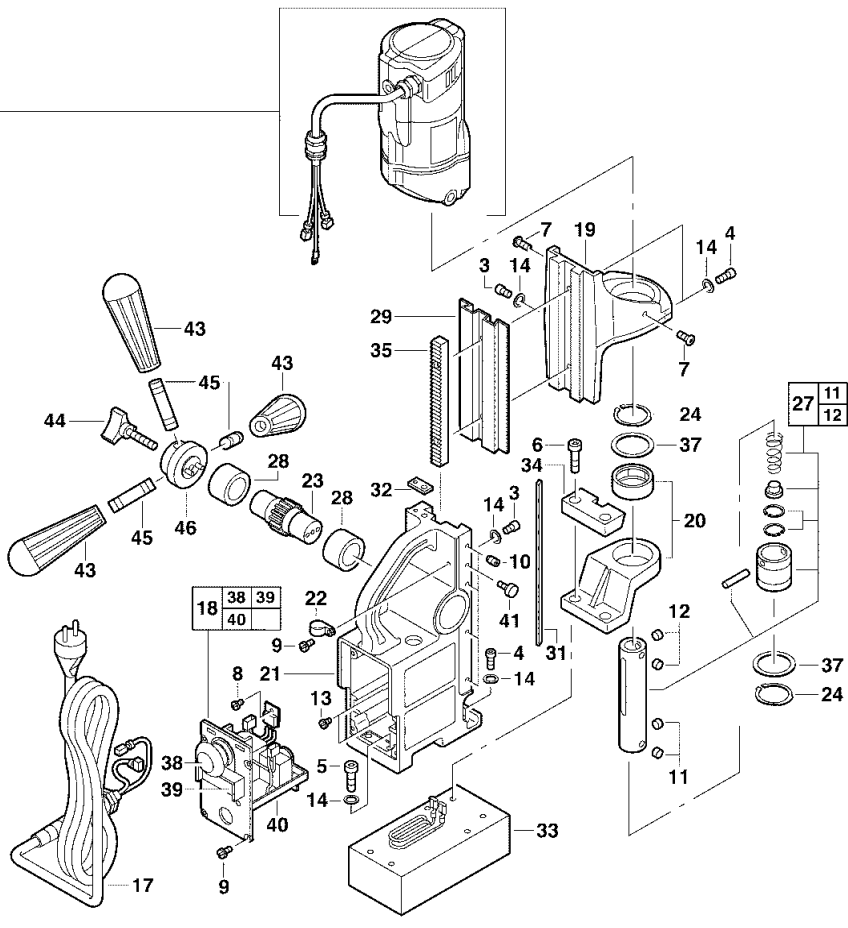
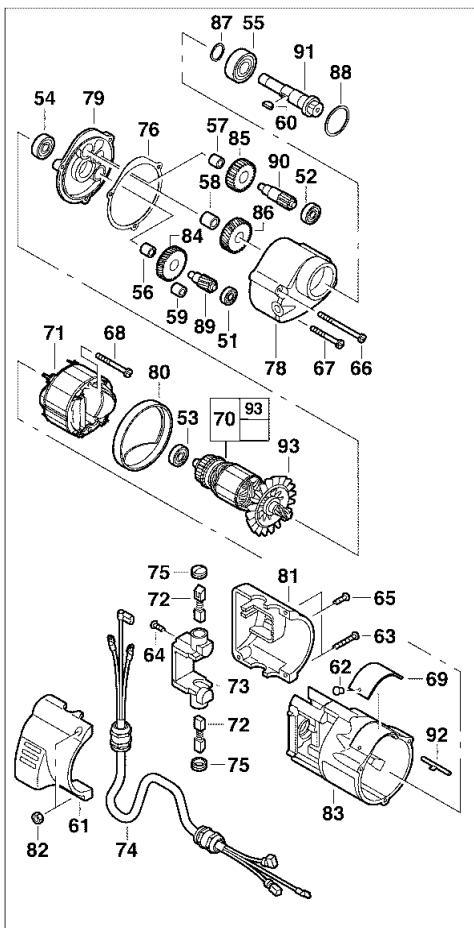
# A & M Electric Tools

# Drill accessories

|     |             |              |         |         |
|-----|-------------|--------------|---------|---------|
| Ind | Product No. | Type         | Voltage | Country |
| a   | 4000384846  | MD38 COMPACT | 230V    | EU      |

|     |             |      |         |         |
|-----|-------------|------|---------|---------|
| Ind | Product No. | Type | Voltage | Country |
|     |             |      |         |         |

|              |         |          |      |
|--------------|---------|----------|------|
| Milwaukee    |         |          |      |
| <b>MD38</b>  |         |          |      |
| Exp.view No. | Version | Date     | Page |
| 4926 3902 41 | 0002    | 16.05.03 | 1/2  |



| Pos  | Index  | Quanti | Article No. | Designation        |
|------|--------|--------|-------------|--------------------|
| 0003 | a..... | 2      | 06752900    | SCREW              |
| 0004 | a..... | 5      | 06753005    | SCREW              |
| 0005 | a..... | 2      | 06753100    | SCREW              |
| 0006 | a..... | 2      | 06755865    | SCREW              |
| 0007 | a..... | 2      | 06814770    | SCREW              |
| 0008 | a..... | 1      | 06818655    | SCREW              |
| 0009 | a..... | 5      | 06827252    | SCREW              |
| 0010 | a..... | 4      | 06831650    | HEADLESS SOCK.HEAD |
| 0011 | a..... | 2      | 06835170    | SCREW              |
| 0012 | a..... | 2      | 06836015    | SCREW              |
| 0013 | a..... | 2      | 06818625    | SCREW              |
| 0014 | a..... | 9      | 06974050    | WASHER             |
| 0017 | a..... | 1      | 22640950    | CONNECTION CABLE   |
| 0018 | a..... | 1      | 23350380    | CONTROL PANEL KIT  |
| 0019 | a..... | 1      | 28100099    | BRACKET            |
| 0020 | a..... | 1      | 14465405    | STABILIZER         |
| 0021 | a..... | 1      | 28500600    | BODY               |
| 0022 | a..... | 1      | 31170185    | TERMINAL PLUG      |
| 0023 | a..... | 1      | 32600200    | WORM SCREW         |
| 0024 | a..... | 2      | 34603690    | RING               |
| 0027 | a..... | 1      | 14730290    | CUTTING HEAD       |
| 0028 | a..... | 2      | 42400060    | BUSHING            |

| Pos  | Index  | Quanti | Article No. | Designation     |
|------|--------|--------|-------------|-----------------|
| 0029 | a..... | 1      | 42401055    | COVER           |
| 0031 | a..... | 1      | 43480150    | PLATE           |
| 0032 | a..... | 1      | 43940070    | RATCHET         |
| 0033 | a..... | 1      | 44260080    | MAGNET          |
| 0034 | a..... | 1      | 44666220    | DISTANCE HOLDER |
| 0035 | a..... | 1      | 44800200    | RACK            |
| 0037 | a..... | 2      | 45140290    | SHIM            |
| 0038 | a..... | 1      | 23662315    | SWITCH          |
| 0039 | a..... | 1      | 23662295    | SWITCH MAGNETIC |
| 0040 | a..... | 1      | 14201205    | ELECTRONIC      |
| 0041 | a..... | 1      | 06872570    | PUSH-BUTTON     |
| 0043 | a..... | 3      | 43980095    | HANDLE          |
| 0044 | a..... | 1      | 06872550    | SCREW           |
| 0045 | a..... | 3      | 43620090    | HANDLE          |
| 0046 | a..... | 1      | 14465400    | HANDLE          |
| 0051 | a..... | 1      | 02040640    | BALL BEARING    |
| 0052 | a..... | 1      | 02040820    | BALL BEARING    |
| 0053 | a..... | 1      | 02040845    | BALL BEARING    |
| 0054 | a..... | 1      | 02040911    | BALL BEARING    |
| 0055 | a..... | 1      | 02041536    | BALL BEARING    |
| 0056 | a..... | 1      | 02501640    | NEEDLE BEARING  |
| 0057 | a..... | 1      | 02501645    | BEARING NEEDLE  |

Repairs/modification and testing of electric power tools are to be carried out by specialists. The safety regulations according to DIN/VDE/CEE/AFNOR and other regulations valid in the different countries are to be observed.

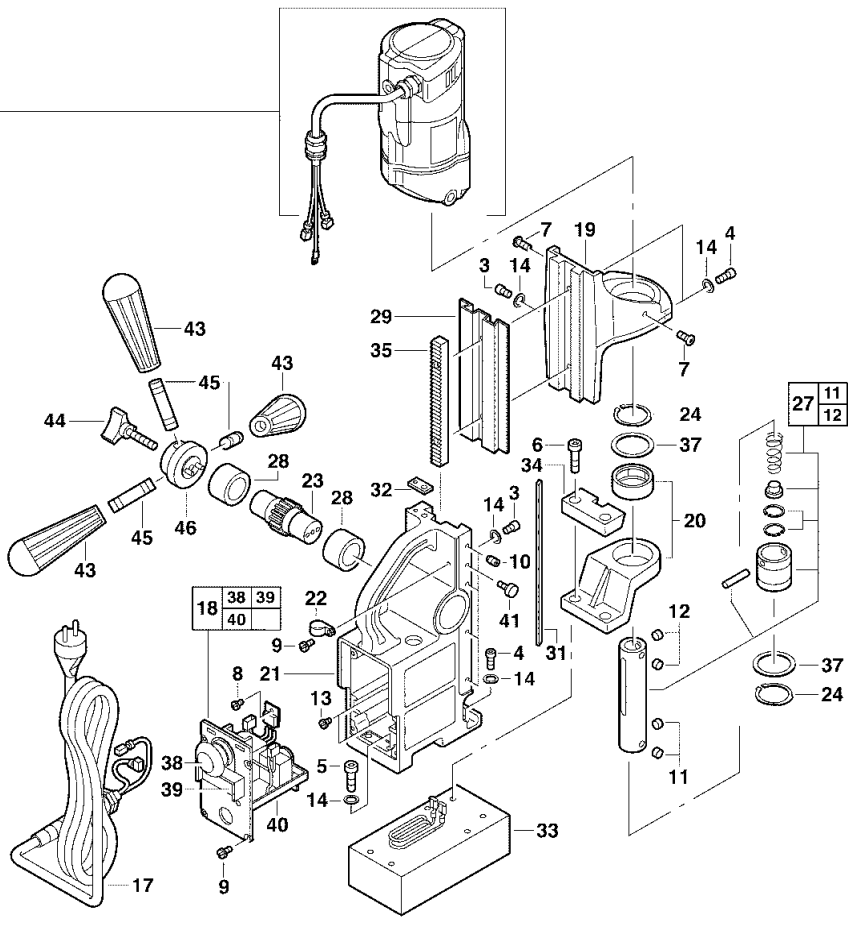
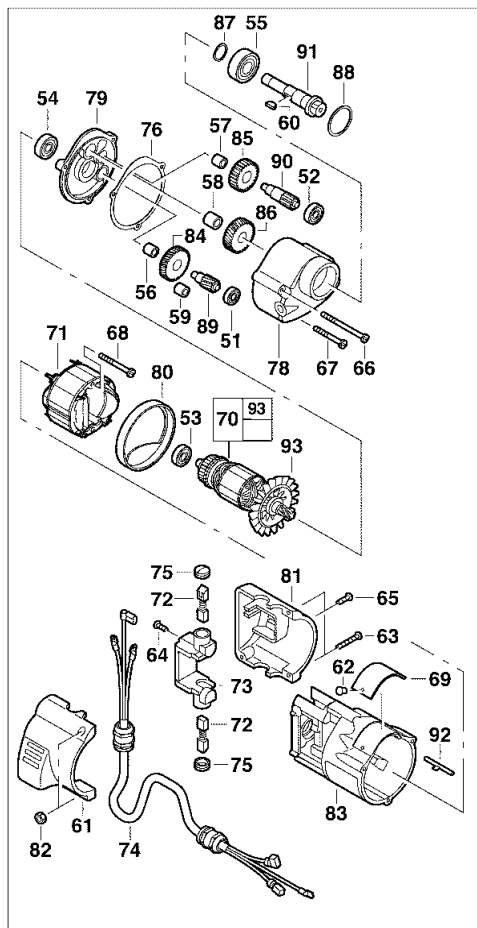
# A & M Electric Tools

# Drill accessories

|     |             |              |         |         |
|-----|-------------|--------------|---------|---------|
| Ind | Product No. | Type         | Voltage | Country |
| a   | 4000384846  | MD38 COMPACT | 230V    | EU      |

|     |             |      |         |         |
|-----|-------------|------|---------|---------|
| Ind | Product No. | Type | Voltage | Country |
|     |             |      |         |         |

|              |         |          |      |
|--------------|---------|----------|------|
| Milwaukee    |         |          |      |
| <b>MD38</b>  |         |          |      |
| Exp.view No. | Version | Date     | Page |
| 4926 3902 41 | 0002    | 16.05.03 | 2/2  |



| Pos  | Index  | Quanti | Article No. | Designation        |
|------|--------|--------|-------------|--------------------|
| 0058 | a..... | 1      | 02502440    | NEEDLE BEARING     |
| 0059 | a..... | 2      | 06420800    | KEY                |
| 0060 | a..... | 1      | 06422000    | KEY                |
| 0061 | a..... | 2      | 06550835    | NUT                |
| 0062 | a..... | 2      | 06721710    | NAME PLATE         |
| 0063 | a..... | 2      | 06822390    | SCREW              |
| 0064 | a..... | 2      | 06827240    | SCREW              |
| 0065 | a..... | 2      | 06829207    | SCREW              |
| 0066 | a..... | 2      | 06827375    | SCREW              |
| 0067 | a..... | 1      | 06827382    | SCREW              |
| 0068 | a..... | 2      | 06827410    | SCREW              |
| 0069 | a..... | 1      | 12993360    | NAME PLATE         |
| 0070 | a..... | 1      | 16340490    | ARMATURE           |
| 0071 | a..... | 1      | 18320532    | ELECTRIC FIELD     |
| 0072 | a..... | 2      | 22181015    | BRUSH              |
| 0073 | a..... | 1      | 22221385    | CARBON HOLDER      |
| 0074 | a..... | 1      | 22643295    | CONNECTION CABLE   |
| 0075 | a..... | 2      | 23440125    | SCREW              |
| 0076 | a..... | 1      | 43441075    | SEAL               |
| 0078 | a..... | 1      | 28141922    | GEAR CASE          |
| 0079 | a..... | 1      | 28280611    | BEARING END PLATE  |
| 0080 | a..... | 1      | 31050055    | AIR DEFLECTOR RING |

| Pos  | Index  | Quanti | Article No. | Designation        |
|------|--------|--------|-------------|--------------------|
| 0081 | a..... | 1      | 31152060    | MOTOR CAP          |
| 0082 | a..... | 1      | 31152061    | MOTOR CAP          |
| 0083 | a..... | 1      | 31500020    | HOUSING MOTOR SIDE |
| 0084 | a..... | 1      | 32401251    | GEAR BOX           |
| 0085 | a..... | 1      | 32752051    | GEAR BOX           |
| 0086 | a..... | 1      | 32752651    | SPINDLE GEAR       |
| 0087 | a..... | 1      | 34601200    | RING               |
| 0088 | a..... | 1      | 34802500    | RING               |
| 0089 | a..... | 1      | 36662811    | SHAFT              |
| 0090 | a..... | 1      | 36663980    | PINION             |
| 0091 | a..... | 1      | 38505485    | DRIVING SHAFT      |
| 0092 | a..... | 1      | 44600530    | PIN                |
| 0093 | a..... | 1      | 22840531    | FAN                |

Repairs/modification and testing of electric power tools are to be carried out by specialists. The safety regulations according to DIN/VDE/CEE/AFNOR and other regulations valid in the different countries are to be observed.