

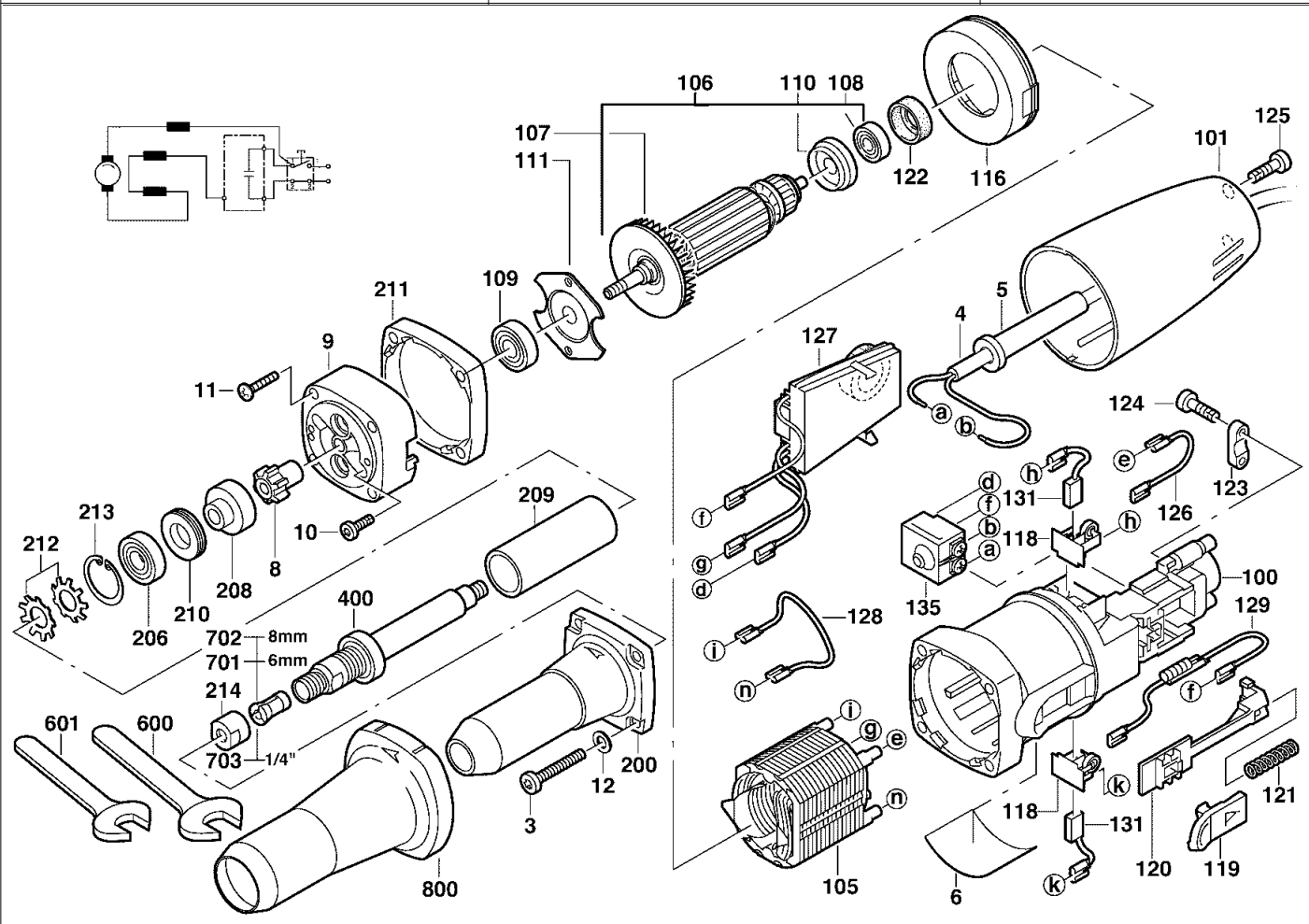
# A & M Electric Tools

# Various tools

Ind Product No.	Type	Voltage	Country
a 4000378841	GSL600E	220-240V	IN2

Ind Product No.	Type	Voltage	Country

Milwaukee			
<b>GSL600E</b>			
Exp.view No.	Version	Date	Page
4926 3788 47	0001	01.06.01	1/2



Pos	Index	Quanti	Article No.	Designation
0003	a.....	4	4931317532	SCREW
0004	a.....	1	4931623618	CONNECTION CABLE
0005	a.....	1	4931206687	CABLE ENTRY SLEEVE
0006	a.....	1	4931378844	RATING PLATE
0008	a.....	1	4931393152	CAM
0009	a.....	1	4931378842	BEARING END PLATE
0010	a.....	2	4931279999	SCREW
0011	a.....	4	4931622399	SCREW
0012	a.....	4	4931617414	SEALING WASHER
0100	a.....	1	4931378828	MOTOR HOUSING
0101	a.....	1	4931378829	HOUSING CAP
0105	a.....	1	4931318450	ELECTRIC FIELD
0106	a.....	1	4931369227	ARMATURE
0107	a.....	1	4931351861	FAN
0108	a.....	1	4931319402	BALL BEARING
0109	a.....	1	4931901253	BALL BEARING
0110	a.....	1	4931368345	INSULATING DISC
0111	a.....	1	4931351913	BEARING COVER
0116	a.....	1	4931361782	AIR DEFLECTOR RING
0118	a.....	2	4931351842	BRUSH HOLDER
0119	a.....	1	4931378833	SLIDER
0120	a.....	1	4931351823	GUIDE PIECE

Pos	Index	Quanti	Article No.	Designation
0121	a.....	1	4931326981	PRESSURE SPRING
0122	a.....	1	4931351729	RUBBER SLEEVE
0123	a.....	1	4931256500	CABLE COLLAR
0124	a.....	2	4931624538	SCREW
0125	a.....	2	4931618253	SCREW
0126	a.....	1	4931253731	WIRE
0127	a.....	1	4931361568	ELECTRONIC ELEMENT
0128	a.....	1	4931253598	WIRE
0129	a.....	1	4931369504	CHOKING COIL
0131	a.....	1	4931392611	CARBON BRUSH SET
0135	a.....	1	4931351849	SWITCH
0200	a.....	1	4931378843	BEARING HOUSING
0206	a.....	1	4931804500	BALL BEARING
0208	a.....	1	4931279578	COUPLING
0209	a.....	1	4931208217	DISTANCE SLEEVE
0210	a.....	1	4931208219	NUT
0211	a.....	1	4931354044	INTERMEDIATE FLANG
0212	a.....	2	4931220726	SPRING
0213	a.....	1	4931884220	LOCKING RING
0214	a.....	1	4931278544	NUT
0400	a.....	1	4931278595	GRINDING SPINDLE
0600	a.....	1	4931822228	KEY

Repairs/modification and testing of electric power tools are to be carried out by specialists. The safety regulations according to DIN/VDE/CEE/AFNOR and other regulations valid in the different countries are to be observed.

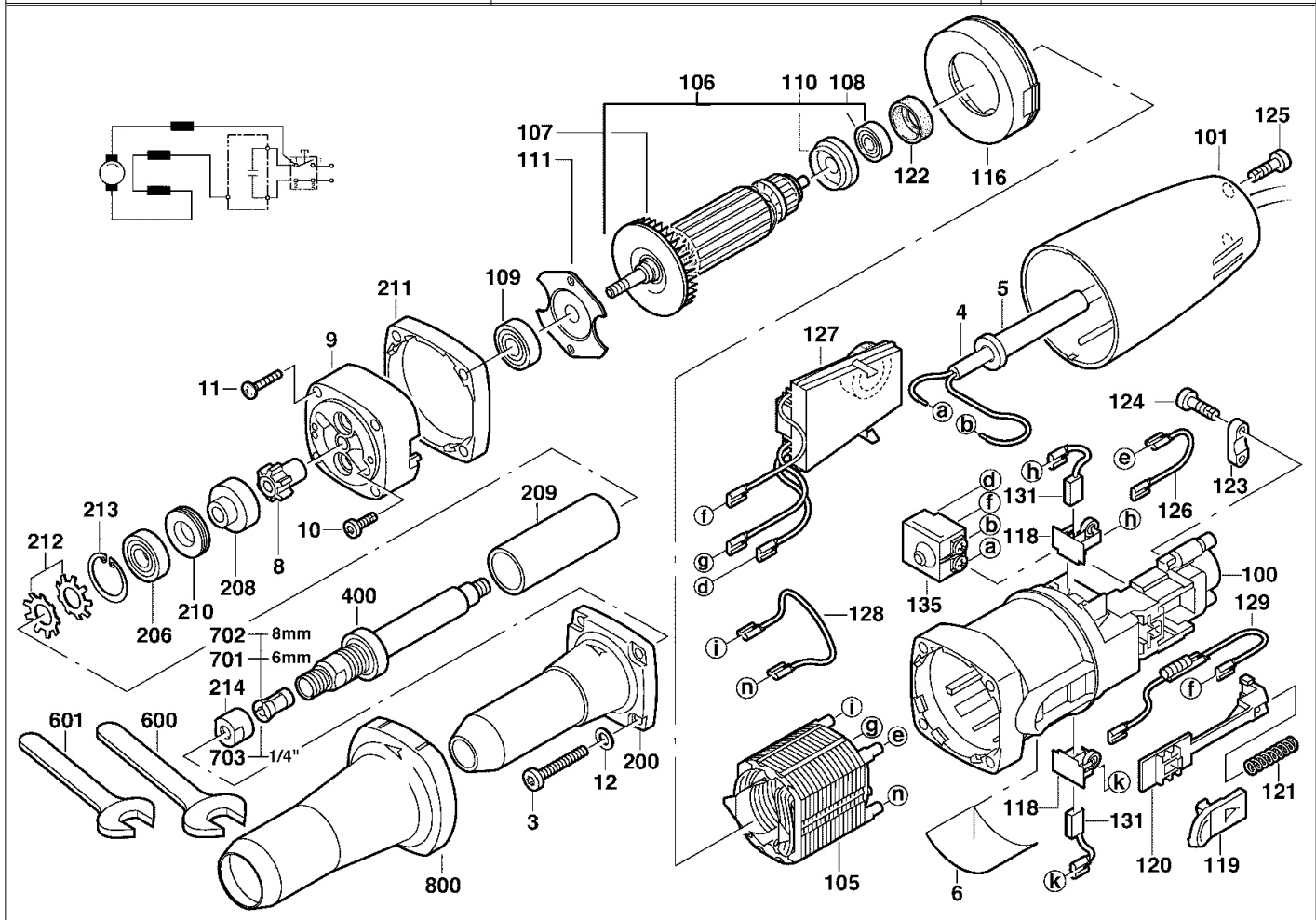
# A & M Electric Tools

# Various tools

Ind Product No.	Type	Voltage	Country
a 4000378841	GSL600E	220-240V	IN2

Ind Product No.	Type	Voltage	Country

Milwaukee			
<b>GSL600E</b>			
Exp.view No.	Version	Date	Page
4926 3788 47	0001	01.06.01	2/2



Pos	Index	Quanti	Article No.	Designation
0601	a.....	1	4931606563	KEY
0701	a.....	1	4932313192	COLLET
0702	a.....	1	4932313190	COLLET
0703	a.....	1	4932313194	COLLET
0800	a.....	1	4931378008	SLEEVE

Pos	Index	Quanti	Article No.	Designation

Repairs/modification and testing of electric power tools are to be carried out by specialists. The safety regulations according to DIN/VDE/CEE/AFNOR and other regulations valid in the different countries are to be observed.