

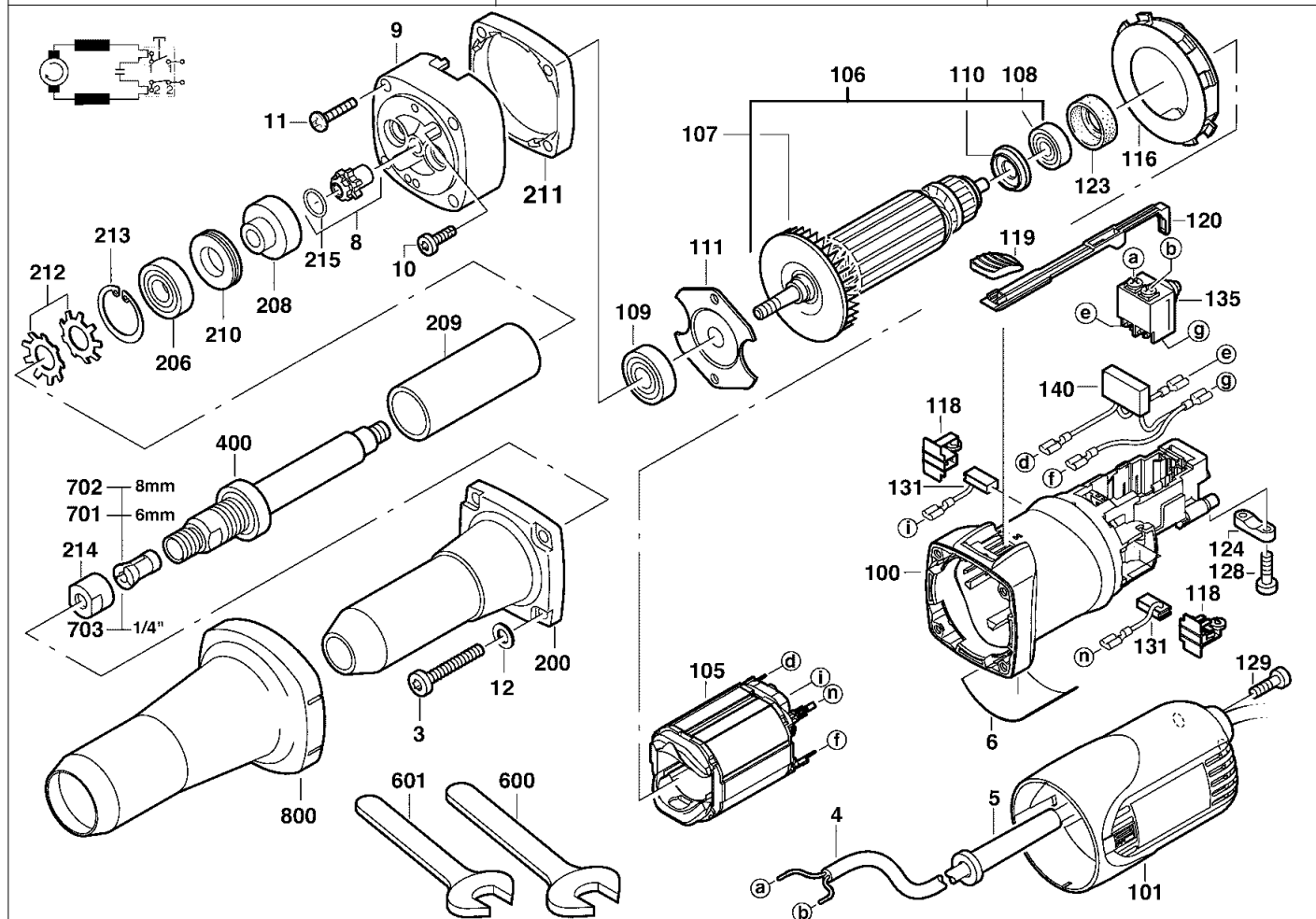
# A & M Electric Tools

# Various tools

Ind	Product No.	Type	Voltage	Country
a	4000403318	DGL34	230V	IN2
b	4000403322	DGL34	110V	GB1

Ind	Product No.	Type	Voltage	Country

Milwaukee	
DGL 34	
Exp.view No.	Version Date Page
4926 4033 19	0001 08.06.06 1/2



Pos	Index	Quanti	Article No.	Designation
0003	ab.....	4	4931317532	SCREW
0004	a.....	1	4931624121	CONNECTION CABLE
0004	.b.....	1	4931624175	CONNECTION CABLE
0005	ab.....	1	4931206687	CABLE ENTRY SLEEVE
0006	a.....	1	4931403321	RATING PLATE
0006	.b.....	1	4931403325	RATING PLATE
0008	ab.....	1	4931393152	CAM
0009	ab.....	1	4931385546	BEARING END PLATE
0010	ab.....	2	4931279999	SCREW
0011	ab.....	4	4931622399	SCREW
0012	ab.....	4	4931617414	SEALING WASHER
0100	ab.....	1	4931403004	MOTOR HOUSING
0101	ab.....	1	4931403011	HOUSING CAP
0105	a.....	1	4931385545	ELECTRIC FIELD
0105	.b.....	1	4931385455	ELECTRIC FIELD
0106	a.....	1	4931385381	ARMATURE
0106	.b.....	1	4931385456	ARMATURE
0107	ab.....	1	4931368347	FAN
0108	ab.....	1	4931902888	BALL BEARING
0109	ab.....	1	4931901253	BALL BEARING
0110	ab.....	1	4931385658	INSULATING DISC
0111	ab.....	1	4931351913	BEARING COVER

Pos	Index	Quanti	Article No.	Designation
0116	ab.....	1	4931368549	AIR DEFLECTOR RING
0118	ab.....	2	4931368633	BRUSH HOLDER
0119	ab.....	1	4931368501	SLIDER
0120	ab.....	1	4931368333	GUIDE PIECE
0123	ab.....	1	4931393018	RUBBER SLEEVE
0124	ab.....	1	4931256500	CABLE COLLAR
0128	ab.....	1	4931265500	CABLE COLLAR
0128	ab.....	2	4931624538	SCREW
0129	ab.....	2	4931618253	SCREW
0131	ab.....	1	4931392612	CARBON BRUSH SET
0135	ab.....	1	4931351849	SWITCH
0140	ab.....	1	4931391182	CAPACITOR
0200	ab.....	1	4931378843	BEARING HOUSING
0206	ab.....	1	4931804500	BALL BEARING
0208	ab.....	1	4931279578	COUPLING
0209	ab.....	1	4931208217	DISTANCE SLEEVE
0210	ab.....	1	4931208219	NUT
0211	ab.....	1	4931354044	INTERMEDIATE FLANG
0212	ab.....	2	4931220726	SPRING
0213	ab.....	1	4931884220	LOCKING RING
0214	ab.....	1	4931278544	NUT
0215	ab.....	1	4931623232	SEAL RING
0400	ab.....	1	4931278595	GRINDING SPINDLE

Repairs/modification and testing of electric power tools are to be carried out by specialists. The safety regulations according to DIN/VDE/CEE/AFNOR and other regulations valid in the different countries are to be observed.

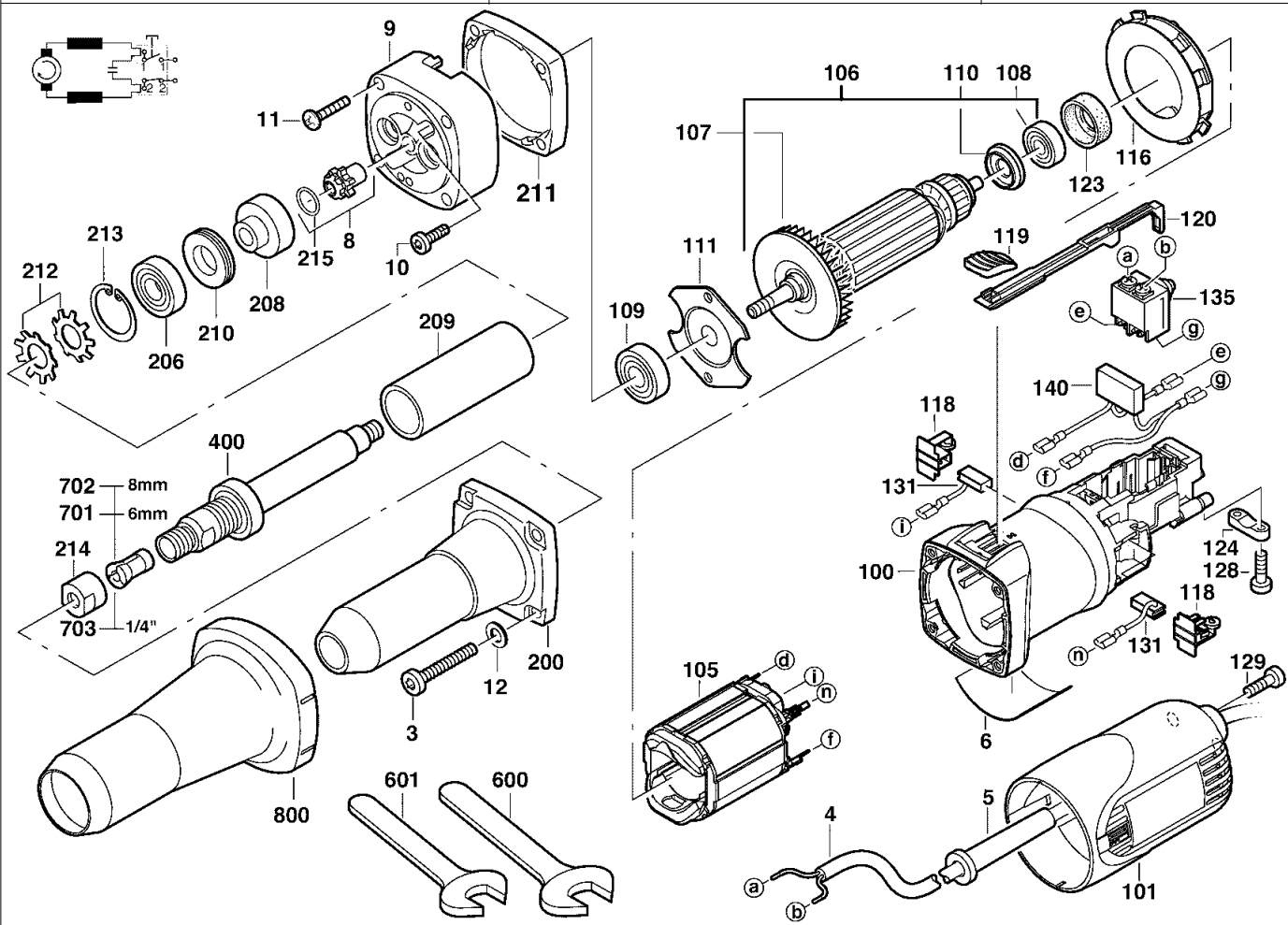
# A & M Electric Tools

# Various tools

Ind	Product No.	Type	Voltage	Country
a	4000403318	DGL34	230V	IN2
b	4000403322	DGL34	110V	GB1

Ind	Product No.	Type	Voltage	Country

Milwaukee	
DGL 34	
Exp.view No.	Version Date Page
4926 4033 19	0001 08.06.06 2/2



Pos	Index	Quanti	Article No.	Designation
0600	ab.....	1	4931822228	KEY
0601	ab.....	1	4931606563	KEY
0701	ab.....	1	4932313192	COLLET
0702	ab.....	1	4932313190	COLLET
0703	ab.....	1	4932313194	COLLET
0800	ab.....	1	4931378008	SLEEVE

Pos	Index	Quanti	Article No.	Designation

Repairs/modification and testing of electric power tools are to be carried out by specialists. The safety regulations according to DIN/VDE/CEE/AFNOR and other regulations valid in the different countries are to be observed.