

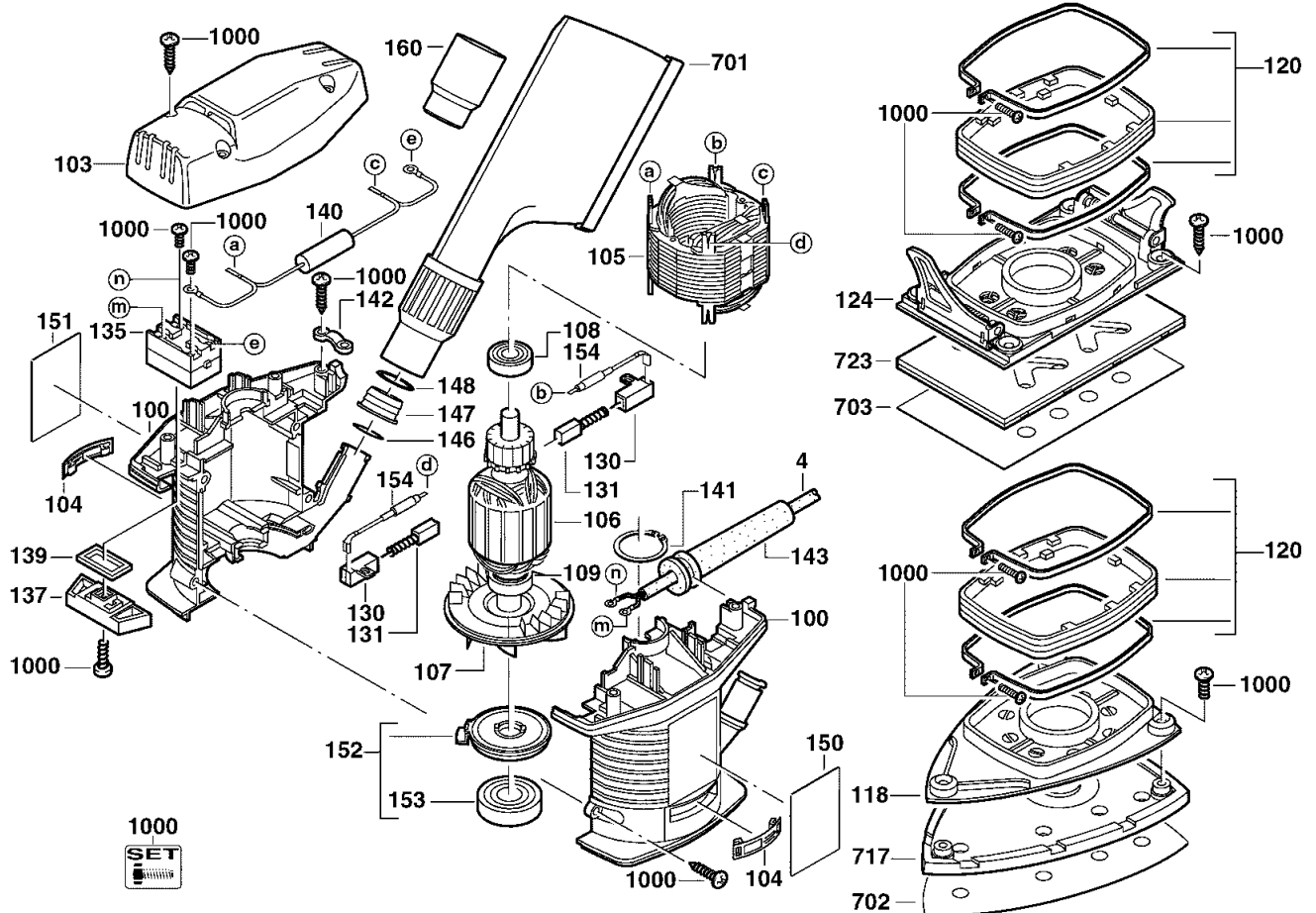
A & M Electric Tools

Ind	Product No.	Type	Voltage	Country
a	4000378901	VS11	230V	IN2
b	4000378916	VS11D	230V	IN2
c	4000385501	VS11	110V	GB1

Orbital Sanders

Milwaukee
VS11
VS11D

Exp.view No. Version Date Page
4926 3789 11 0004 27.10.03 1/1



Pos	Index	Quanti	Article No.	Designation	Pos	Index	Quanti	Article No.	Designation
0004	ab.....	1	4931622896	CONNECTION CABLE	0141	abc.....	1	4931355885	SLEEVE
0004	..c.....	1	4931623821	CONNECTION CABLE	0142	abc.....	1	4931351184	CABLE COLLAR
0100	abc.....	1	4931378902	MOTOR HOUSING	0143	abc.....	1	4931334522	CABLE ENTRY SLEEVE
0103	abc.....	1	4931391416	MODIFICATION SET	0146	abc.....	1	4931945182	O-RING
0104	abc.....	2	4931334524	PROTECTIVE CAP	0147	abc.....	1	4931334415	ADAPTOR
0105	ab.....	1	4931358109	ELECTRIC FIELD	0148	abc.....	1	4931617301	LOCKING RING
0105	..c.....	1	4931358111	ELECTRIC FIELD	0150	abc.....	1	4931378806	TYPE PLATE
0106	ab.....	1	4931358108	ARMATURE	0151	a.....	1	4931378907	RATING PLATE
0106	..c.....	1	4931358110	ARMATURE	0151	.b.....	1	4931378917	RATING PLATE
0107	ab.....	1	4931357618	FAN	0151	..c.....	1	4931385503	RATING PLATE
0108	abc.....	1	4931621829	BALL BEARING	0152	abc.....	1	4931351186	EXCENTER
0109	abc.....	1	4931341740	GROOVED BALL BEAR.	0153	abc.....	1	4931623190	BALL BEARING
0118	.b.....	1	4931355049	BASE PLATE	0154	abc.....	2	4931351188	CONNECTION CABLE
0120	abc.....	1	4931334487	COLLAR	0160	abc.....	1	4931391259	ADAPTOR
0124	a.c.....	1	4931351182	BASE PLATE	0701	abc.....	1	4932351675	DUST BAG
0130	abc.....	2	4931334488	BRUSH HOLDER	0702	.b.....	1	4932355139	SAND PAPER
0131	ab.....	1	4931334489	CARBON BRUSH	0703	a.c.....	1	4932351673	SANDING PAPER
0131	..c.....	1	4931334489	CARBON BRUSH	0717	.b.....	1	4931355034	PLATE
0135	abc.....	1	4931334517	SWITCH	0723	a.c.....	1	4932351674	VELCRO SAND. PLATE
0137	abc.....	1	4931378906	TRIGGER	1000	abc.....	1	4931391420	BOLT SET
0139	abc.....	1	4931334518	GASKET					
0140	abc.....	1	4931351185	CAPACITOR					

Repairs/modification and testing of electric power tools are to be carried out by specialists. The safety regulations according to DIN/VDE/CEE/AFNOR and other regulations valid in the different countries are to be observed.