

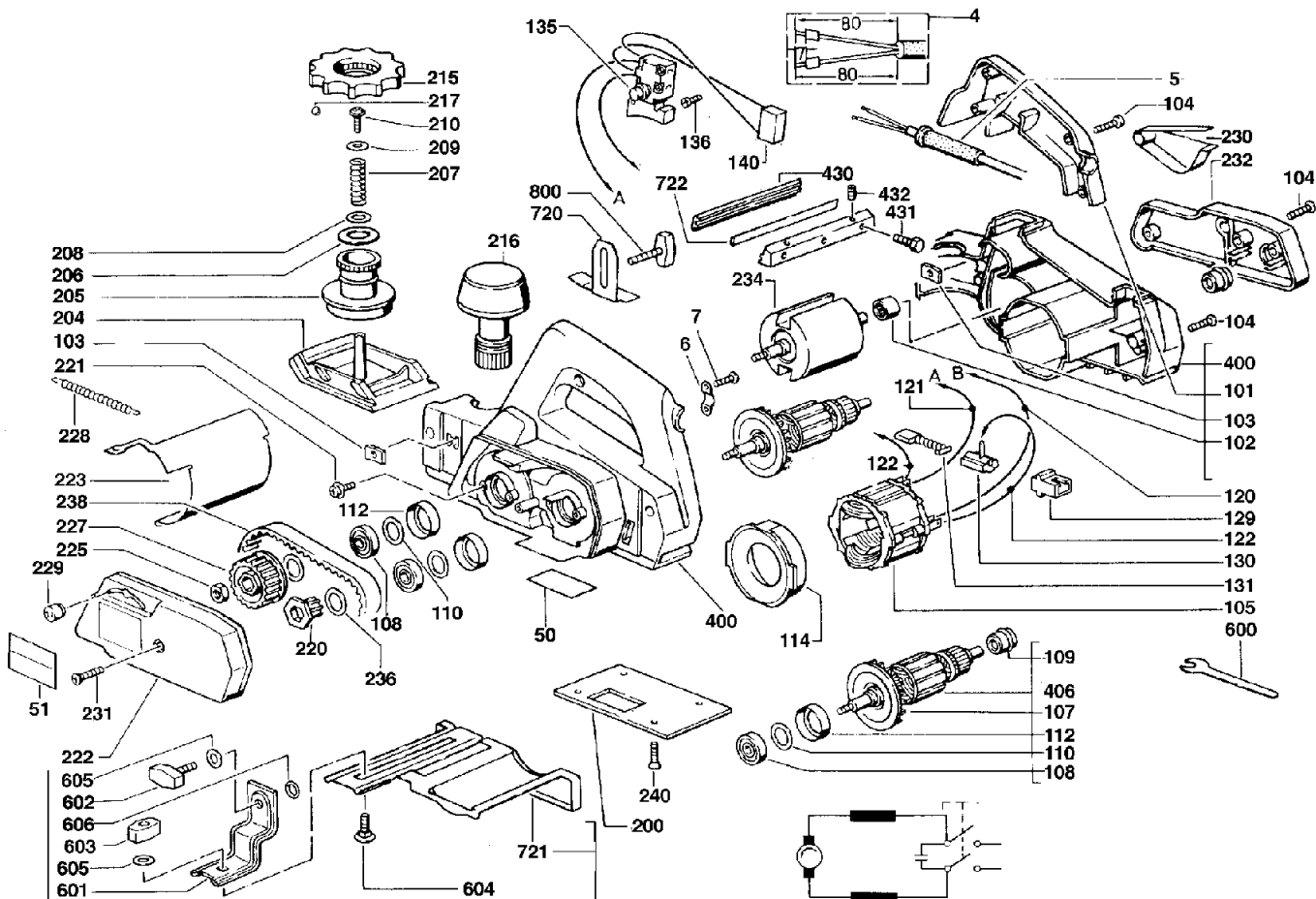
A & M Electric Tools

Ind	Product No.	Type	Voltage	Country
a	4000383766	PR3-82	220V	IN2
b	4000383781	PR3-82	240V	GB2
c	4000383791	PR3-82	110V	GB1

Planers

Milwaukee
PR3-82

Exp.view No. Version Date Page
4926 3837 70 0001 26.02.02 1/2



Pos	Index	Quanti	Article No.	Designation	Pos	Index	Quanti	Article No.	Designation
0004	a.....	1	4931622543	CONNECTION CABLE	0120	ab.....	1	4931622352	WIRE
0004	.b.....	1	4931623820	CONNECTION CABLE	0120	..c.....	1	4931622531	WIRE
0004	..c.....	1	4931623812	CONNECTION CABLE	0121	ab.....	1	4931622353	WIRE
0005	abc.....	1	4931206687	CABLE ENTRY SLEEVE	0121	..c.....	1	4931622578	WIRE
0006	abc.....	1	4931256500	CABLE COLLAR	0122	ab.....	2	4931253744	WIRE
0007	abc.....	2	4931624538	SCREW	0122	..c.....	2	4931622542	WIRE
0050	a.....	1	4931383776	RATING PLATE	0129	ab.....	2	4931317543	BRUSH HOLDER INSUL
0050	.b.....	1	4931383785	RATING PLATE	0129	..c.....	2	4931317545	BRUSH HOLDER
0050	..c.....	1	4931383793	RATING PLATE	0130	ab.....	2	4931317547	BRUSH HOLDER
0051	abc.....	1	4931378806	TYPE PLATE	0130	..c.....	2	4931317546	BRUSH HOLDER
0101	abc.....	1	4931383775	HANDLE COVER	0131	ab.....	1	4931392577	CARBON BRUSH SET
0102	abc.....	1	4931316297	SLEEVE	0131	..c.....	1	4931392581	CARBON BRUSH SET
0103	abc.....	2	4931300619	NUT	0135	a.....	1	4931383777	SWITCH
0104	abc.....	1	4931618253	SCREW	0135	..bc.....	1	4931383786	SWITCH
0105	ab.....	1	4931316600	ELECTRIC FIELD	0136	abc.....	2	4931621772	SCREW
0105	..c.....	1	4931303459	ELECTRIC FIELD	0140	abc.....	1	4931622364	CAPACITOR
0107	abc.....	1	4931303334	FAN	0200	abc.....	1	4931323938	SUPPORTING PLATE
0108	abc.....	1	4931341740	GROOVED BALL BEAR.	0204	abc.....	1	4931300949	PLATE
0109	abc.....	1	4931308595	RUBBER SLEEVE	0205	abc.....	1	4931300987	CAM PLATE
0110	abc.....	1	4931941067	DISC	0206	abc.....	1	4931622563	DISC
0112	abc.....	1	4931301483	RUBBER SLEEVE	0207	abc.....	1	4931300995	PRESSURE SPRING
0114	abc.....	1	4931300986	AIR DEFLECTOR RING	0208	abc.....	1	4931939634	DISC

Repairs/modification and testing of electric power tools are to be carried out by specialists. The safety regulations according to DIN/VDE/CEE/AFNOR and other regulations valid in the different countries are to be observed.

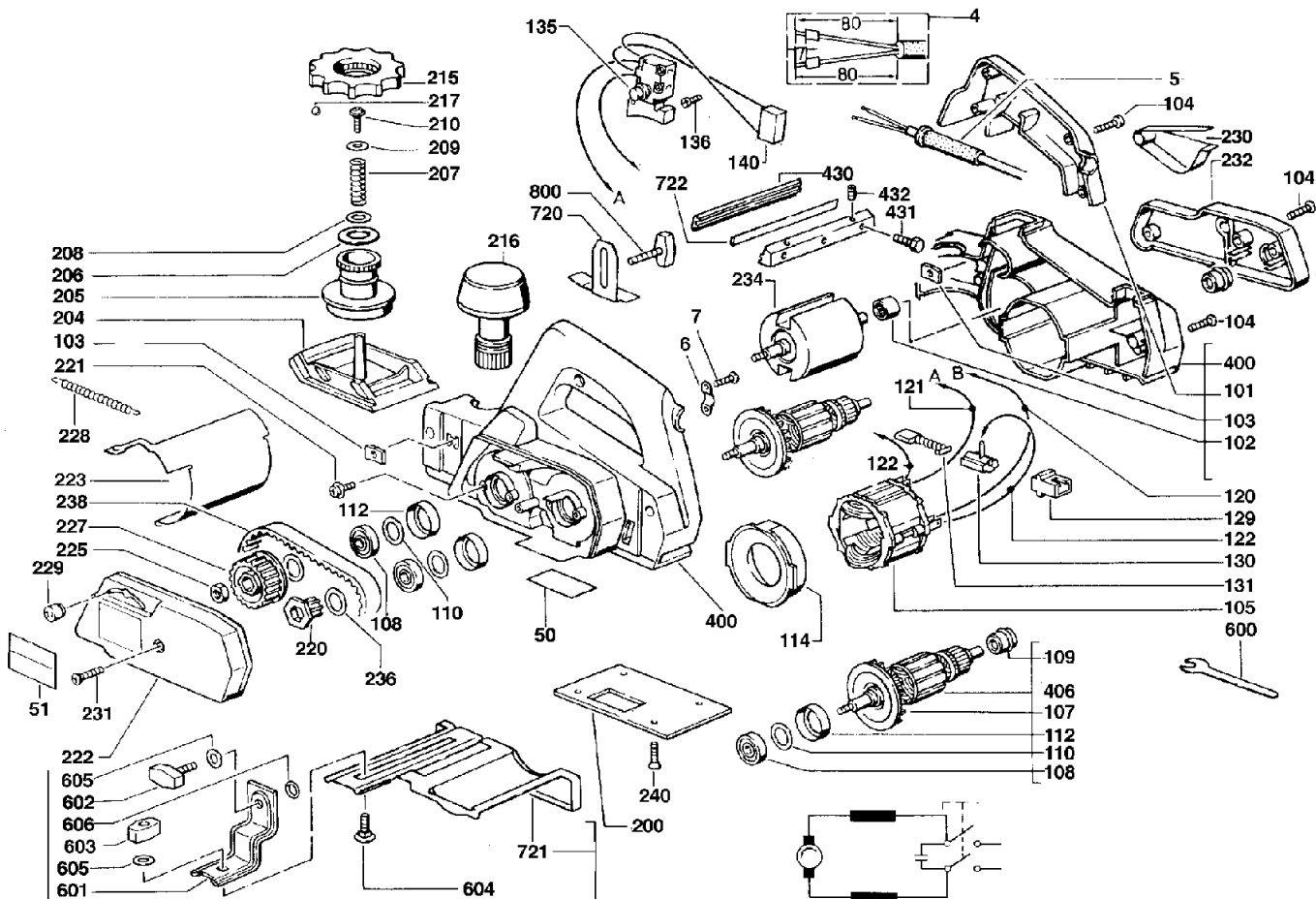
A & M Electric Tools

Ind	Product No.	Type	Voltage	Country
a	4000383766	PR3-82	220V	IN2
b	4000383781	PR3-82	240V	GB2
c	4000383791	PR3-82	110V	GB1

Planers

Milwaukee
PR3-82

Exp.view No. Version Date Page
4926 3837 70 0001 26.02.02 2/2



Pos	Index	Quanti	Article No.	Designation	Pos	Index	Quanti	Article No.	Designation
0209	abc.....	1	4931622042	SEALING WASHER	0406	.b.....	1	4931316743	ARMATURE
0210	abc.....	1	4931618253	SCREW	0406	.c.....	1	4931316772	ARMATURE
0215	abc.....	1	4931335344	SET WHEEL	0430	abc.....	1	4931316151	PAIR OF CLAMP JAW
0216	abc.....	1	4931300941	HANDLE	0431	abc.....	6	4931272618	SCREW
0217	abc.....	1	4931805413	BALL	0432	abc.....	4	4931316206	THREADED PIN
0220	abc.....	1	4931316881	WASHER	0600	abc.....	1	4931606512	KEY
0221	abc.....	4	4931622332	SCREW	0601	abc.....	1	4931274052	HOLDER
0222	abc.....	1	4931300985	LID	0602	abc.....	1	4931274068	SCREW
0223	abc.....	1	4931300933	GUARD CAP	0603	abc.....	1	4931276423	KNURLED NUT
0225	abc.....	1	4931330505	NUT	0604	abc.....	1	4931617010	SCREW
0227	abc.....	1	4931300971	WASHER	0605	abc.....	2	4931615511	SEALING WASHER
0228	abc.....	1	4931300996	SPRING	0606	abc.....	1	4931941082	O-RING
0229	abc.....	1	4931330173	BUTTON	0720	abc.....	1	4932274069	REBATE DEPTH GAUG
0230	abc.....	1	4931300934	COVER	0721	abc.....	1	4932274071	PARALLEL GUIDE
0231	abc.....	12	4931618253	SCREW	0722	abc.....	1	4932316247	REVERSIBLE BLADES
0232	abc.....	1	4931300984	PROTECTIVE CAP	0800	abc.....	1	4931274068	SCREW
0234	abc.....	1	4931330512	REPAIR KIT					
0236	abc.....	1	4931886465	DISC					
0238	abc.....	1	4931300967	TOOTHED BELT					
0240	abc.....	4	4931620093	SCREW					
0400	abc.....	1	4931383779	BODY					
0406	a.....	1	4931316345	ARMATURE					

Repairs/modification and testing of electric power tools are to be carried out by specialists. The safety regulations according to DIN/VDE/CEE/AFNOR and other regulations valid in the different countries are to be observed.