

A & M Electric Tools

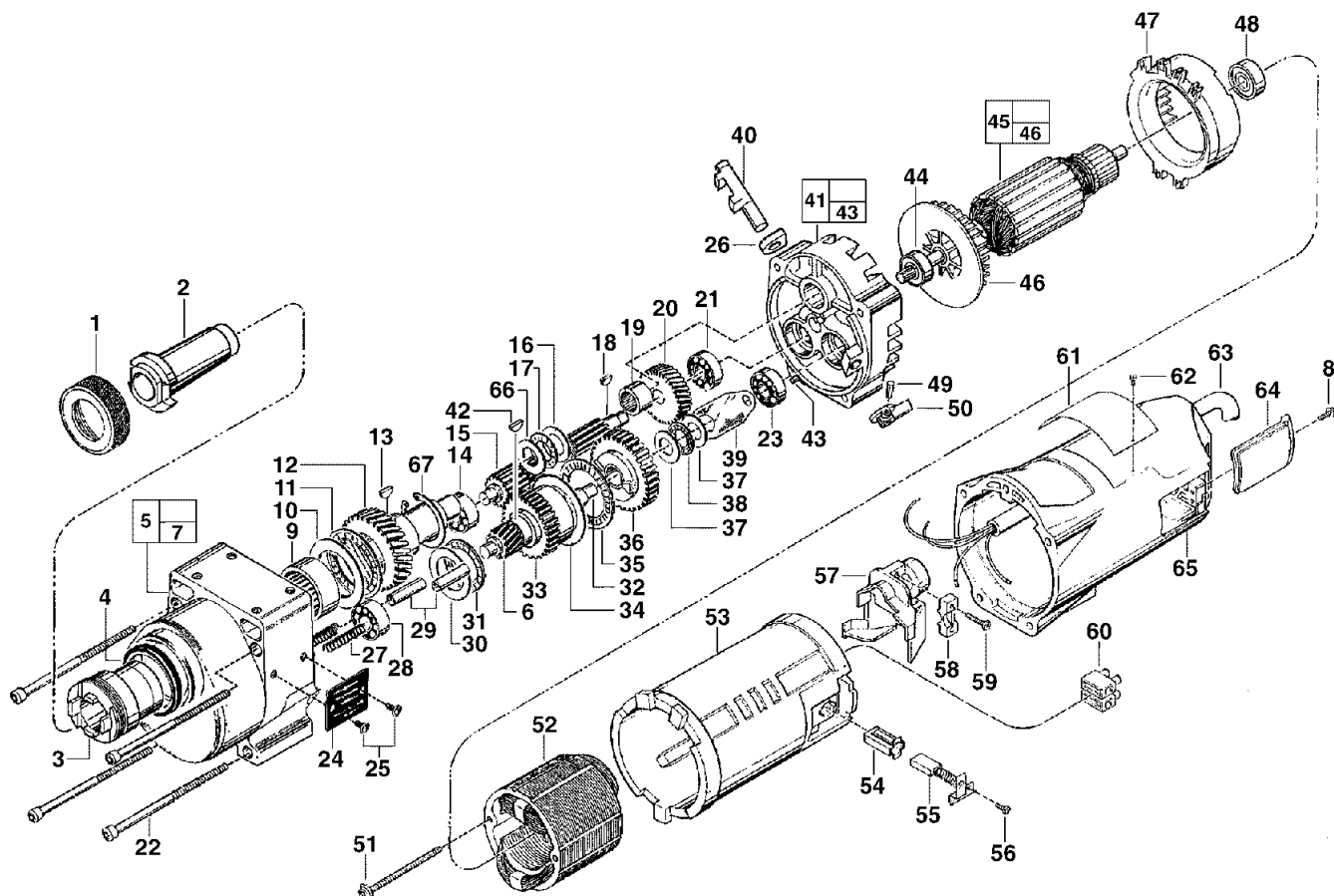
Ind	Product No.	Type	Voltage	Country
a	4000384502	MDM2 375	220-240V	IN2
d	4000384504	MDM2 250	220-240V	IN2

Ind	Product No.	Type	Voltage	Country

Drills

Milwaukee
MDM2-375
MDM2-250

Exp.view No. Version Date Page
4926 3845 03 0003 18.09.03 1/2



Pos	Index	Quanti	Article No.	Designation	Pos	Index	Quanti	Article No.	Designation
0001	ad.....	1	42520050	SCREW	0022	ad.....	4	06829202	SCREW
0002	ad.....	1	45340110	TAPER SOCKET	0023	ad.....	1	02041205	BALL BEARING
0003	ad.....	1	38505490	SPINDLE	0024	ad.....	1	12983020	INSTRUCTION PLATE
0004	ad.....	1	45060380	SEAL	0025	ad.....	2	06825266	SCREW
0005	ad.....	1	28141880	BODY	0026	ad.....	1	43440580	GASKET
0006	a.....	1	32601041	GEAR BOX	0027	ad.....	2	40506300	PRESSURE SPRING
0007	ad.....	1	06651535	PIN	0028	ad.....	1	02041205	BALL BEARING
0008	ad.....	2	06825316	SCREW	0029	ad.....	2	44700100	PLUNGER
0009	ad.....	1	02509976	NEEDLE BEARING	0030	ad.....	1	45880520	WASHER
0010	ad.....	1	45880530	WASHER	0031	ad.....	1	02801800	THRUST BEARING
0011	ad.....	1	02805000	THRUST BEARING	0032	a.....	1	36140061	SHAFT
0012	a.....	1	32752561	SPINDLE GEAR	0032	.d.....	1	36140720	SHAFT
0012	.d.....	1	32752581	SPINDLE GEAR	0033	ad.....	1	32100060	GEAR
0013	ad.....	1	06422400	KEY	0034	ad.....	1	45880530	WASHER
0014	ad.....	1	02041205	BALL BEARING	0035	ad.....	1	02805000	THRUST BEARING
0015	ad.....	1	36663751	SHAFT	0036	ad.....	1	32100051	GEAR BOX
0016	ad.....	1	45881090	DISC	0037	ad.....	2	45880510	WASHER
0017	ad.....	1	02801525	BEARING	0038	ad.....	1	02801200	THRUST BEARING
0018	ad.....	1	06421600	KEY	0039	ad.....	1	45980090	YOKE
0019	ad.....	1	02504830	NEEDLE BEARING	0040	ad.....	1	30150056	INDEXING BOLT
0020	ad.....	1	32401581	GEAR	0041	ad.....	1	14130210	BEARING END PLATE
0021	ad.....	1	02041205	BALL BEARING	0042	a.....	1	06422000	KEY

Repairs/modification and testing of electric power tools are to be carried out by specialists. The safety regulations according to DIN/VDE/CEE/AFNOR and other regulations valid in the different countries are to be observed.

A & M Electric Tools

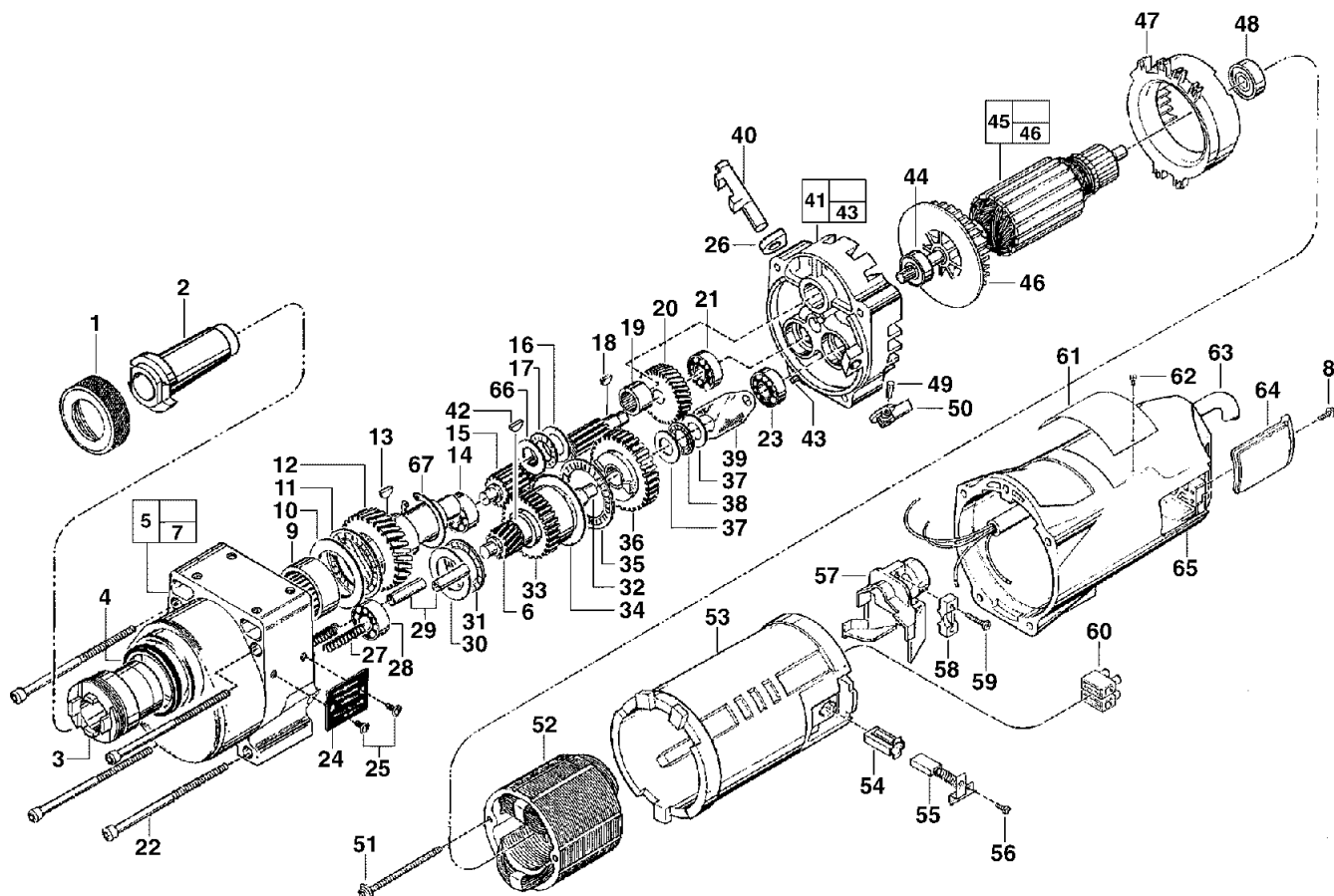
Ind	Product No.	Type	Voltage	Country
a	4000384502	MDM2 375	220-240V	IN2
d	4000384504	MDM2 250	220-240V	IN2

Ind	Product No.	Type	Voltage	Country

Drills

Milwaukee
MDM2-375
MDM2-250

Exp.view No. Version Date Page
4926 3845 03 0003 18.09.03 2/2



Pos	Index	Quanti	Article No.	Designation
0043	ad.....	1	06651155	PIN
0044	ad.....	1	02041229	BALL BEARING
0045	ad.....	1	16740385	ARMATURE
0046	ad.....	1	22840790	FAN
0047	ad.....	1	42140291	AIR DEFLECTOR RING
0048	ad.....	1	02041041	BALL BEARING
0049	ad.....	1	06650840	PIN
0050	ad.....	1	25600056	TRIGGER
0051	ad.....	2	06829072	PIN
0052	ad.....	1	18740320	ELECTRIC FIELD
0053	ad.....	1	23161410	INSULATING BUSH
0054	ad.....	2	22200680	BRUSH HOLDER
0055	ad.....	2	22180706	CARBON BRUSH
0056	ad.....	2	06828835	SCREW
0057	ad.....	1	22380140	WIRE
0058	ad.....	1	31170200	CLAMPING PIECE
0059	ad.....	2	06827326	SCREW
0060	ad.....	1	22560470	TERMINAL
0061	a.....	1	12993346	NAME PLATE
0061	.d.....	1	12993347	NAME PLATE
0062	ad.....	2	06721720	RIVET
0063	ad.....	1	22644005	RELAY CABLE

Pos	Index	Quanti	Article No.	Designation
0064	ad.....	2	22320350	BRUSH COVER
0065	ad.....	1	28506360	HOUSING
0066	ad.....	1	45881080	DISC
0067	ad.....	1	34600320	THRUST COLLAR

Repairs/modification and testing of electric power tools are to be carried out by specialists. The safety regulations according to DIN/VDE/CEE/AFNOR and other regulations valid in the different countries are to be observed.