

A & M Electric Tools

Rotary Hammers

Ind Product No. Type
a 4000392120 PPH26E

Voltage Country
220-240V IN2

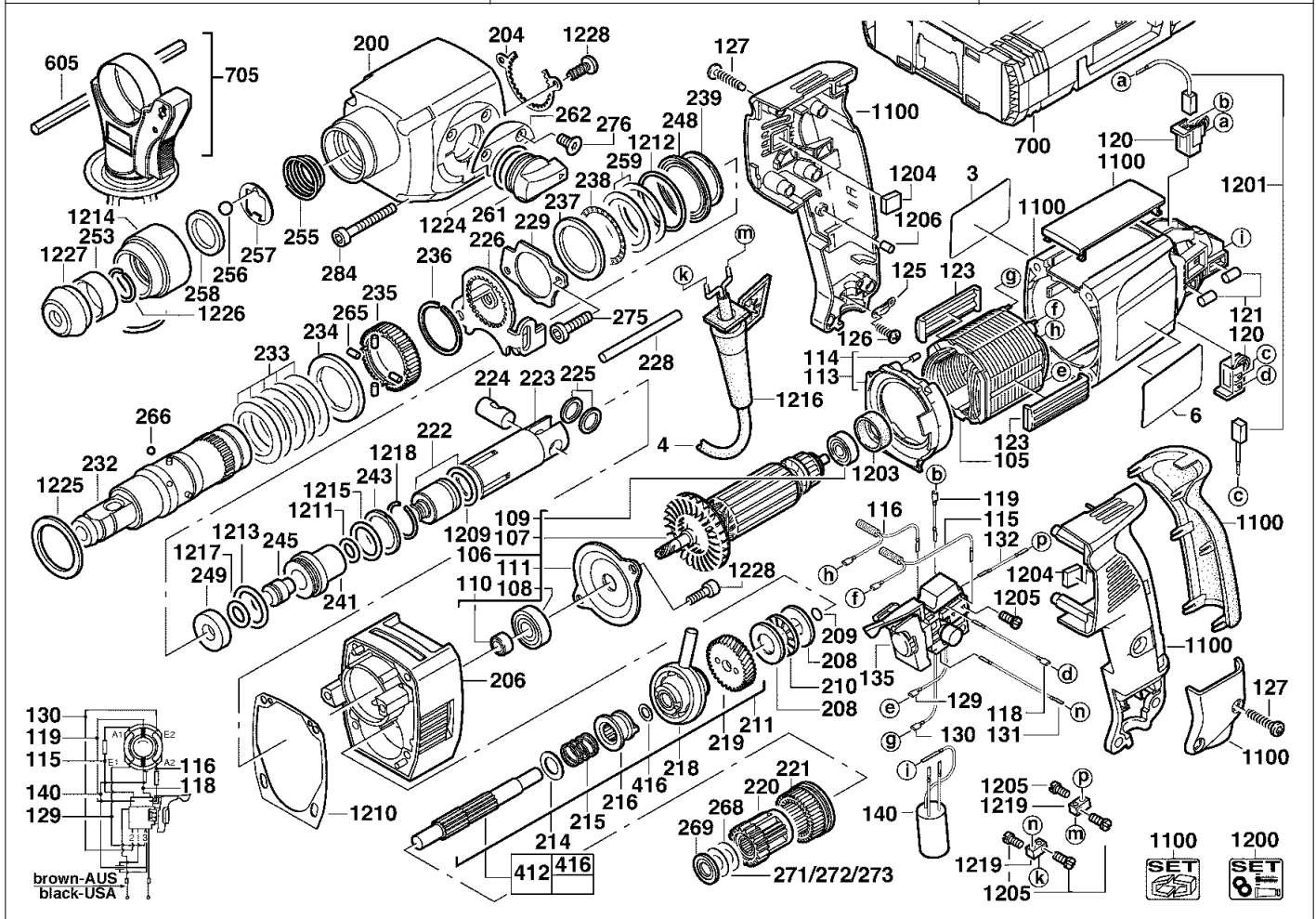
Ind Product No. Type

Voltage Country

Milwaukee

PPH 26 E

Exp.view No. Version Date Page
4926 3921 21 0005 26.04.05 1/3



Pos	Index	Quanti	Article No.	Designation	Pos	Index	Quanti	Article No.	Designation
0003	a.....	1	4931392123	RATING PLATE	0129	a.....	1	4931623127	WIRE
0004	a.....	1	4931623392	CONNECTION CABLE	0130	a.....	1	4931623196	WIRE
0006	a.....	1	4931378806	TYPE PLATE	0131	a.....	1	4931622948	WIRE
0105	a.....	1	4931342802	ELECTRIC FIELD	0132	a.....	1	4931623136	WIRE
0106	a.....	1	4931344061	ARMATURE	0135	a.....	1	4931382393	SWITCH BOARD
0107	a.....	1	4931342793	FAN	0140	a.....	1	4931276760	CAPACITOR
0108	a.....	1	4931623188	BALL BEARING	0200	a.....	1	4931382394	GEAR BOX
0109	a.....	1	4931624405	BALL BEARING	0204	a.....	1	4931331685	WASHER
0110	a.....	1	4931382148	SEALING SLEEVE	0206	a.....	1	4931382381	BEARING END PLATE
0111	a.....	1	4931267585	BEARING COVER	0208	a.....	2	4931622575	AXIAL BEAR.WASHER
0113	a.....	1	4931342794	AIR DEFLECTOR RING	0209	a.....	1	4931941082	O-RING
0114	a.....	4	4931332524	HOLDING-DOWN DEVIC	0210	a.....	1	4931622567	AXIAL NEEDLE RING
0115	a.....	1	4931623121	CHOKING COIL	0211	a.....	1	4931379284	REDUCT. GEAR SHAFT
0116	a.....	1	4931623122	CHOKING COIL	0214	a.....	1	4931621983	DISC
0118	a.....	1	4931623125	WIRE	0215	a.....	1	4931379589	PRESSURE SPRING
0119	a.....	1	4931623126	WIRE	0216	a.....	1	4931379649	COUPLING SLEEVE
0120	a.....	2	4931382268	BRUSH HOLDER	0218	a.....	1	4931379116	WOBBLE DRIVE
0121	a.....	4	4931623123	ROLL	0219	a.....	1	4931387316	REDUCT GEAR WHEEL
0123	a.....	2	4931342808	CENTERING LEDGE	0220	a.....	1	4931384917	PLANET GEAR
0125	a.....	1	4931256500	CABLE COLLAR	0221	a.....	1	4931331769	INTERN.GEARED WHE
0126	a.....	2	4931624538	SCREW	0222	a.....	1	4931382168	PERCUSSION BODY
0127	a.....	6	4931618253	SCREW	0223	a.....	1	4931379587	CYLINDER

Repairs/modification and testing of electric power tools are to be carried out by specialists. The safety regulations according to DIN/VDE/CEE/AFNOR and other regulations valid in the different countries are to be observed.

A & M Electric Tools

Rotary Hammers

Ind Product No. Type
a 4000392120 PPH26E

Voltage Country
220-240V IN2

Ind Product No. Type

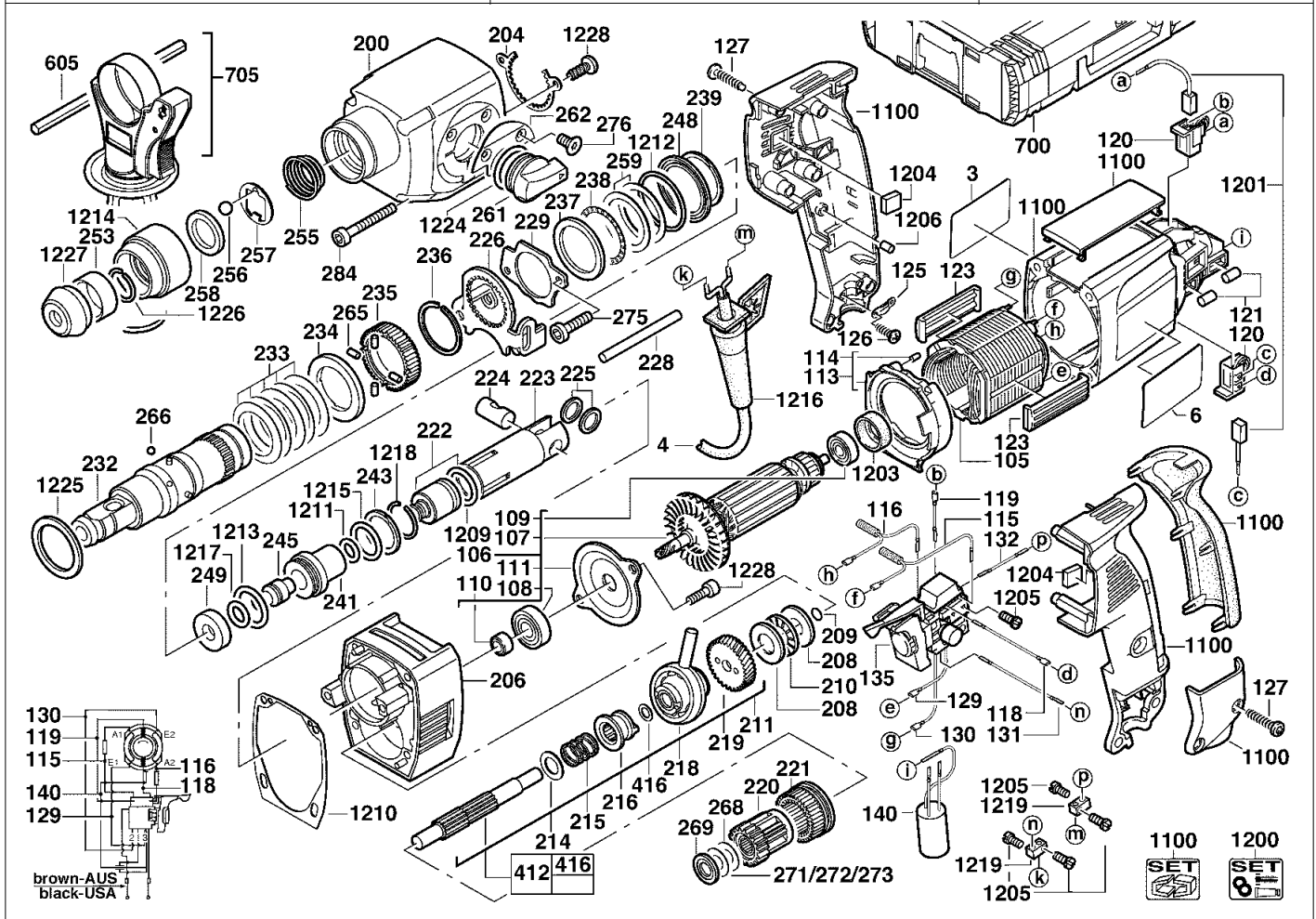
Voltage Country

Milwaukee

PPH 26 E

Exp.view No. Version Date Page

4926 3921 21 0005 26.04.05 2/3



Pos	Index	Quanti	Article No.	Designation	Pos	Index	Quanti	Article No.	Designation
0224	a.....	1	4931331623	CYLINDRICAL BOLT	0258	a.....	1	4931343126	HOLDING RING
0225	a.....	2	4931400589	WASHER	0259	a.....	2	4931623200	WASHER
0226	a.....	1	4931331752	SLIDER	0261	a.....	1	4931392506	SWITCH HANDLE
0228	a.....	1	4931623081	PIN	0262	a.....	1	4931379108	LATCH PLATE
0229	a.....	1	4931331787	LATCH PLATE	0265	a.....	4	4931624045	CYLINDER PULLEY
0232	a.....	1	4931384923	SPINDLE SLEEVE	0266	a.....	4	4931805390	BALL
0233	a.....	5	4931379071	CUP SPRING	0268	a.....	1	4931624096	DISC
0234	a.....	1	4931379110	CLUTCH DISC	0269	a.....	1	4931379420	SPACER
0235	a.....	1	4931392752	SPINDLE GEAR	0271	a.....	1	4931624098	DISC
0236	a.....	1	4931384919	SPRING RING	0272	a.....	1	4931624097	DISC
0237	a.....	1	4931623199	WASHER	0273	a.....	1	4931624096	DISC
0238	a.....	1	4931331713	THRUST BEARING	0275	a.....	2	4931623260	SCREW
0239	a.....	1	4931343187	LOCKING WASHER	0276	a.....	2	4931379109	SCREW
0241	a.....	1	4931387331	SLEEVE	0284	a.....	4	4931331734	SCREW
0243	a.....	1	4931387338	THRUST COLLAR	0412	a.....	1	4931384864	REDUCT. GEAR SHAFT
0245	a.....	1	4931387329	SNAP DIE	0416	a.....	1	4931624264	DISC
0248	a.....	1	4931343049	WASHER	0605	a.....	1	4931384434	DEPTH GAUGE
0249	a.....	1	4931382274	STOP WASHER	0700	a.....	1	4932378986	CARRYING CASE
0253	a.....	1	4931360861	DISTANCE SLEEVE	0705	a.....	1	4932373725	HANDLE
0255	a.....	1	4931343128	PRESSURE SPRING	1100	a.....	1	4931380477	BODY
0256	a.....	1	4931911572	BALL	1200	a.....	1	4931382195	MAINTENANCE SET
0257	a.....	1	4931343127	SUPPORT PLATE	1201	a.....	1	4931392596	CARBON BRUSH SET

Repairs/modification and testing of electric power tools are to be carried out by specialists. The safety regulations according to DIN/VDE/CEE/AFNOR and other regulations valid in the different countries are to be observed.

A & M Electric Tools

Rotary Hammers

Ind Product No. Type
a 4000392120 PPH26E

Voltage Country
220-240V IN2

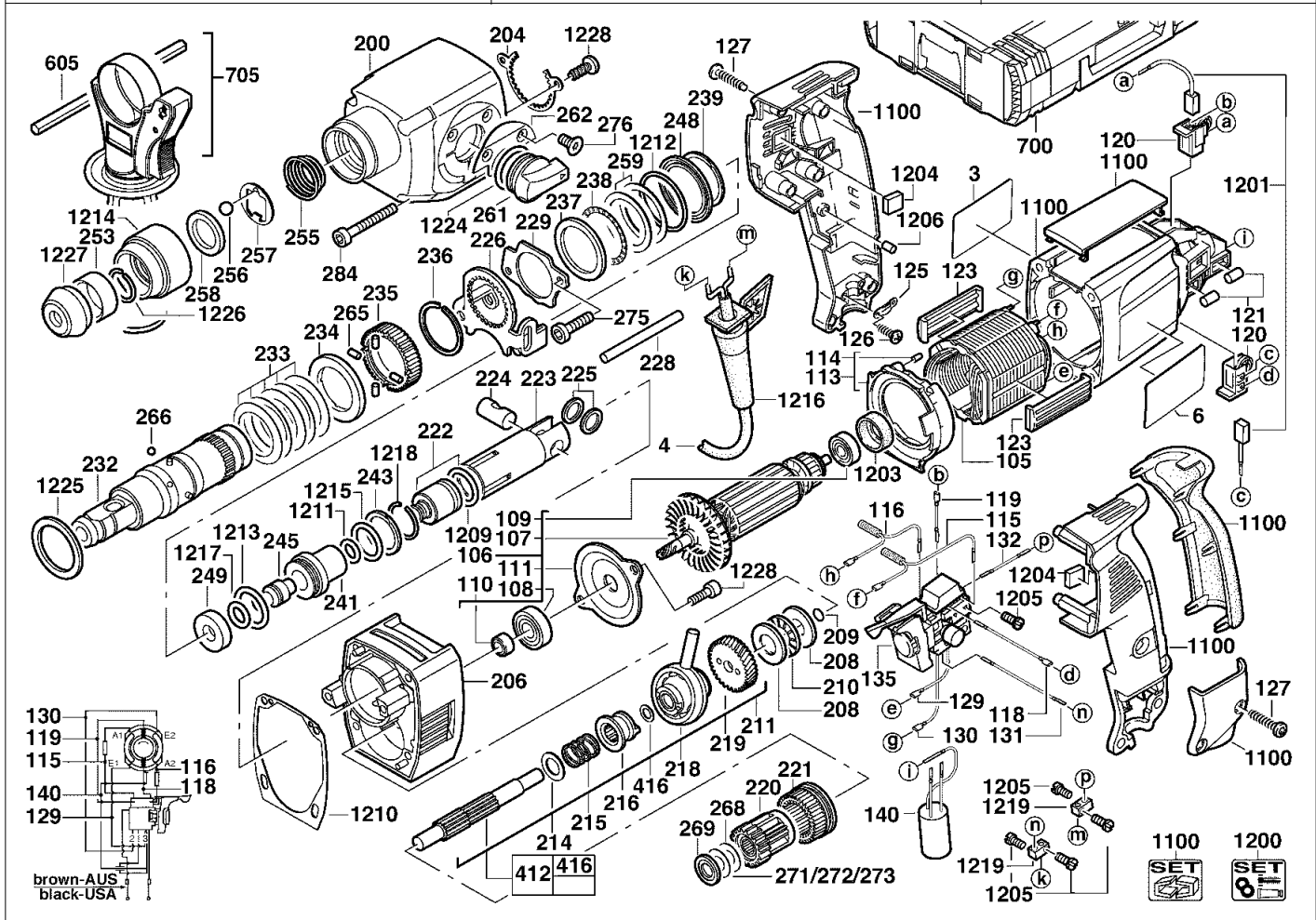
Ind Product No. Type

Voltage Country

Milwaukee

PPH 26 E

Exp.view No. Version Date Page
4926 3921 21 0005 26.04.05 3/3



Pos	Index	Quanti	Article No.	Designation
1203	a.....	1	4931301483	RUBBER SLEEVE
1204	a.....	2	4931342803	DAMPING ELEMENT
1205	a.....	6	4931621772	SCREW
1206	a.....	1	4931271824	HOLDING-DOWN DEVIC
1209	a.....	1	4931379705	SEAL RING
1210	a.....	1	4931331735	GASKET
1211	a.....	1	4931623468	RADIAL SEAL RING
1212	a.....	1	4931623135	O-RING
1213	a.....	1	4931623221	RADIAL SEAL RING
1214	a.....	1	4931343965	SLEEVE
1215	a.....	1	4931623616	SEAL RING
1216	a.....	1	4931332161	CABLE ENTRY SLEEVE
1217	a.....	1	4931624493	SEAL RING
1218	a.....	1	4931623636	RING
1219	a.....	2	4931307924	CONNECTOR
1224	a.....	1	4931623293	O-RING
1225	a.....	1	4931379585	FELT WASHER
1226	a.....	1	4931623220	SPRING RING
1227	a.....	1	4931343123	CAP
1228	a.....	4	4931379708	SCREW

Pos	Index	Quanti	Article No.	Designation
1203	a.....	1	4931301483	RUBBER SLEEVE
1204	a.....	2	4931342803	DAMPING ELEMENT
1205	a.....	6	4931621772	SCREW
1206	a.....	1	4931271824	HOLDING-DOWN DEVIC
1209	a.....	1	4931379705	SEAL RING
1210	a.....	1	4931331735	GASKET
1211	a.....	1	4931623468	RADIAL SEAL RING
1212	a.....	1	4931623135	O-RING
1213	a.....	1	4931623221	RADIAL SEAL RING
1214	a.....	1	4931343965	SLEEVE
1215	a.....	1	4931623616	SEAL RING
1216	a.....	1	4931332161	CABLE ENTRY SLEEVE
1217	a.....	1	4931624493	SEAL RING
1218	a.....	1	4931623636	RING
1219	a.....	2	4931307924	CONNECTOR
1224	a.....	1	4931623293	O-RING
1225	a.....	1	4931379585	FELT WASHER
1226	a.....	1	4931623220	SPRING RING
1227	a.....	1	4931343123	CAP
1228	a.....	4	4931379708	SCREW

Repairs/modification and testing of electric power tools are to be carried out by specialists. The safety regulations according to DIN/VDE/CEE/AFNOR and other regulations valid in the different countries are to be observed.