

A & M Electric Tools

Rotary Hammers

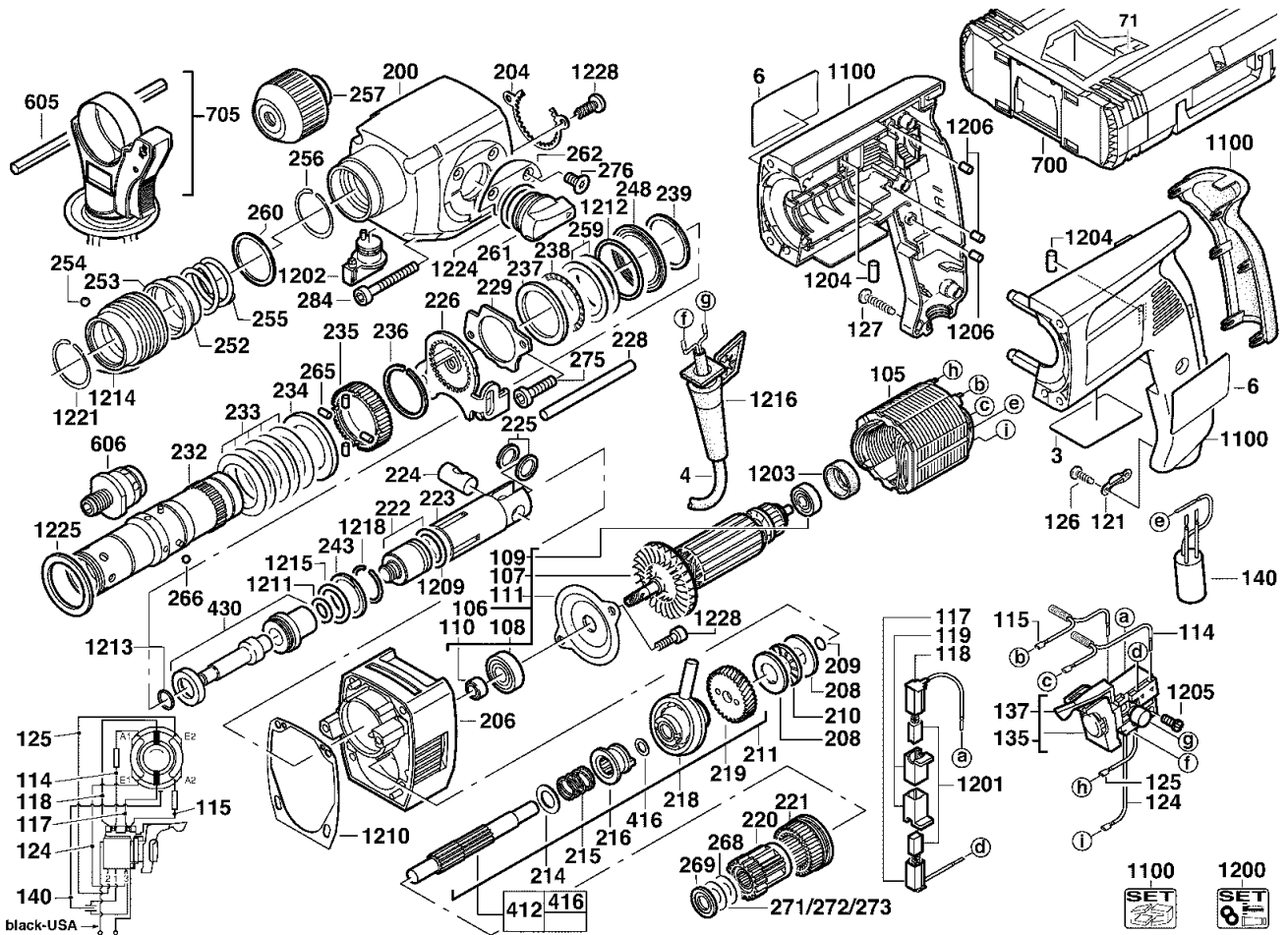
Milwaukee

PPH 24 X 2 E

Exp.view No. Version Date Page
4926 3849 64 0006 27.03.07 1/3

Ind	Product No.	Type	Voltage	Country
a	4000384963	PPH24X2E	220-240V	IN2
b	4000384970	PPH24X2E	110-120V	GB1
c	4000384968	PPH24X2E	240V	GB2
d	4000384963	PPH24X2E	220-240V	AUS

Ind	Product No.	Type	Voltage	Country



Pos	Index	Quanti	Article No.	Designation
0003	a..d.....	1	4931384966	RATING PLATE
0003	.b.....	1	4931384971	RATING PLATE
0003	..c.....	1	4931384969	RATING PLATE
0004	a.....	1	4931302112	CONNECTION CABLE
0004	.b.....	1	4931624008	CONNECTION CABLE
0004	..c.....	1	4931328463	CONNECTION CABLE
0004	...d.....	1	4931624340	CONNECTION CABLE
0006	abcd.....	1	4931378806	TYPE PLATE
0071	abcd.....	1	4931379664	INSERT
0105	a.cd.....	1	4931301856	ELECTRIC FIELD
0105	.b.....	1	4931372961	ELECTRIC FIELD
0106	a.cd.....	1	4931343020	ARMATURE
0106	.b.....	1	4931343204	ARMATURE
0107	abcd.....	1	4931342643	FAN
0108	abcd.....	1	4931623188	BALL BEARING
0109	abcd.....	1	4931624405	BALL BEARING
0110	abcd.....	1	4931382148	SEALING SLEEVE
0111	abcd.....	1	4931267585	BEARING COVER
0114	a.cd.....	1	4931623023	CHOKING COIL
0114	.b.....	1	4931623375	CHOKING COIL
0115	a.cd.....	1	4931622291	CHOKING COIL
0115	.b.....	1	4931623376	CHOKING COIL

Pos	Index	Quanti	Article No.	Designation
0117	a.cd.....	1	4931271665	BRUSH HOLDER
0117	.b.....	1	4931623373	BRUSH HOLDER
0118	a.cd.....	1	4931622292	BRUSH HOLDER
0118	.b.....	1	4931623374	BRUSH HOLDER
0119	abcd.....	2	4931315039	BRUSH HOLDER
0121	abcd.....	1	4931256500	CABLE COLLAR
0124	a.cd.....	1	4931253699	CABLE
0124	.b.....	1	4931623371	WIRE
0125	a.cd.....	1	4931622262	WIRE
0125	.b.....	1	4931623372	WIRE
0126	abcd.....	2	4931624516	SCREW
0127	abcd.....	6	4931624515	SCREW
0135	a.c.....	1	4931382377	SWITCH BOARD
0135	.b.....	1	4931372753	SWITCH BOARD
0135	..d.....	1	4931382378	SWITCH BOARD
0137	abcd.....	1	4931344836	SWITCH LEVER
0140	abcd.....	1	4931622384	CAPACITOR
0200	abcd.....	1	4931382379	GEAR BOX
0204	abcd.....	1	4931331685	WASHER
0206	abcd.....	1	4931382381	BEARING END PLATE
0208	abcd.....	2	4931622575	AXIAL BEAR.WASHER
0209	abcd.....	1	4931941082	O-RING

Repairs/modification and testing of electric power tools are to be carried out by specialists. The safety regulations according to DIN/VDE/CEE/AFNOR and other regulations valid in the different countries are to be observed.

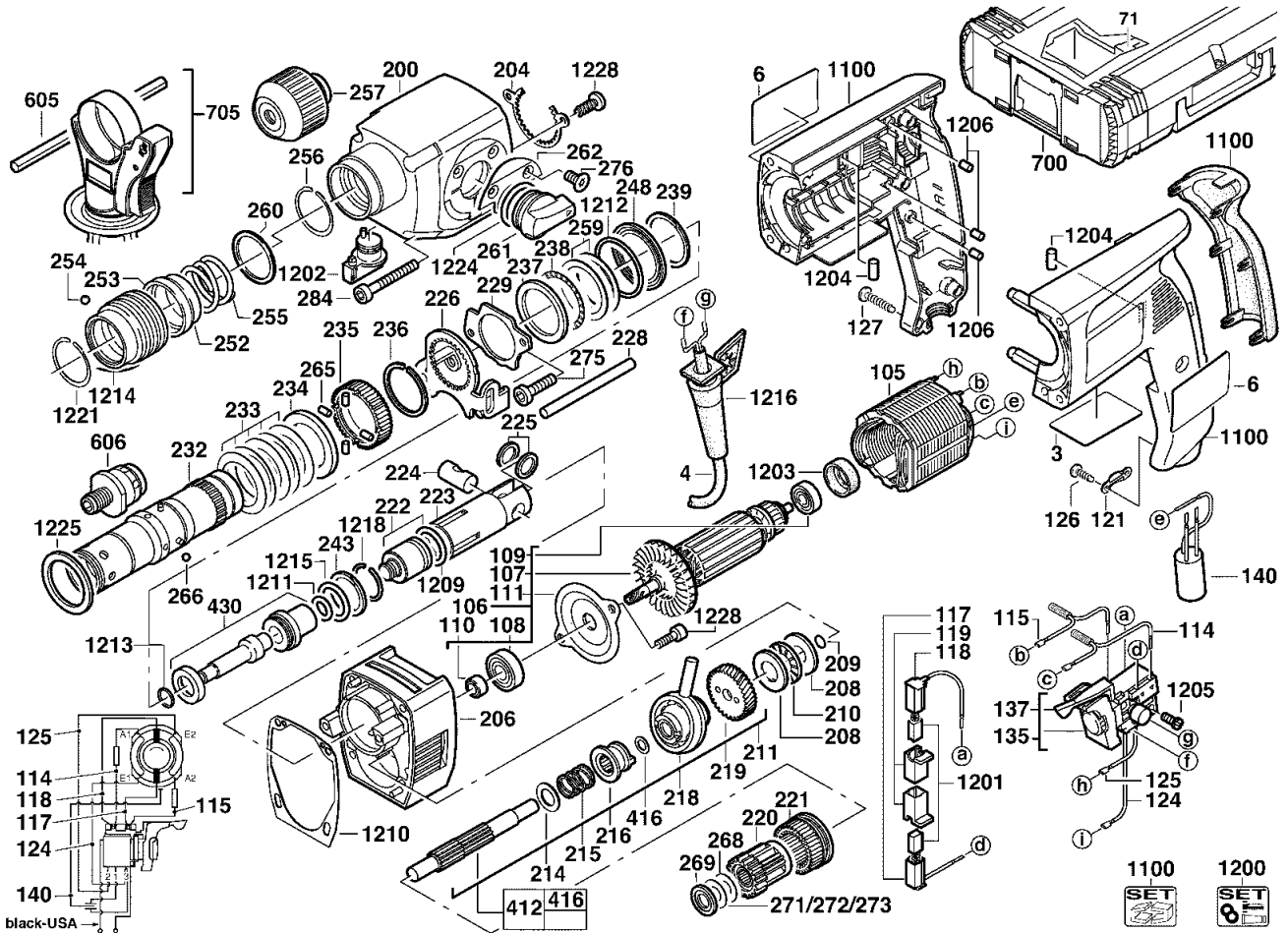
A & M Electric Tools

Rotary Hammers

Ind	Product No.	Type	Voltage	Country
a	4000384963	PPH24X2E	220-240V	IN2
b	4000384970	PPH24X2E	110-120V	GB1
c	4000384968	PPH24X2E	240V	GB2
d	4000384963	PPH24X2E	220-240V	AUS

Ind	Product No.	Type	Voltage	Country

Milwaukee				
PPH 24 X 2 E				
Exp.view No.	Version	Date	Page	
4926 3849 64	0006	27.03.07	2/3	



Pos	Index	Quanti	Article No.	Designation	Pos	Index	Quanti	Article No.	Designation
0210	abcd	1	4931622567	AXIAL NEEDLE RING	0238	abcd	1	4931331713	THRUST BEARING
0211	abcd	1	4931379896	REDUCT. GEAR SHAFT	0239	abcd	1	4931343187	LOCKING WASHER
0214	abcd	1	4931621983	DISC	0243	abcd	1	4931387338	THRUST COLLAR
0215	abcd	1	4931379589	PRESSURE SPRING	0248	abcd	1	4931343049	WASHER
0216	abcd	1	4931379653	COUPLING SLEEVE	0252	abcd	1	4931382921	SLEEVE
0218	abcd	1	4931379116	WOBBLE DRIVE	0253	abcd	1	4931379875	SLEEVE
0219	abcd	1	4931387316	REDUCT GEAR WHEEL	0254	abcd	6	4931805437	BALL
0220	abcd	1	4931384918	PLANET GEAR	0255	abcd	1	4931331754	PRESSURE SPRING
0221	abcd	1	4931331684	INTERN.GEARED WHE	0256	abcd	1	4931945764	SPRING RING
0222	abcd	1	4931387332	PERCUSSION BODY	0257	abcd	1	4931379739	ADAPTER
0223	abcd	1	4931379587	CYLINDER	0259	abcd	2	4931623200	WASHER
0224	abcd	1	4931331623	CYLINDRICAL BOLT	0260	abcd	1	4931623234	WASHER
0225	abcd	2	4931400589	WASHER	0261	abcd	1	4931392507	SWITCH HANDLE
0226	abcd	1	4931331724	SLIDER	0262	abcd	1	4931379108	LATCH PLATE
0228	abcd	1	4931623081	PIN	0265	abcd	4	4931624045	CYLINDER PULLEY
0229	abcd	1	4931331787	LATCH PLATE	0266	abcd	4	4931805390	BALL
0232	abcd	1	4931384922	SPINDLE SLEEVE	0268	abcd	1	4931624096	DISC
0233	abcd	5	4931379071	CUP SPRING	0269	abcd	1	4931379420	SPACER
0234	abcd	1	4931379110	CLUTCH DISC	0271	abcd	1	4931624098	DISC
0235	abcd	1	4931392752	SPINDLE GEAR	0272	abcd	1	4931624097	DISC
0236	abcd	1	4931384919	SPRING RING	0273	abcd	1	4931624096	DISC
0237	abcd	1	4931623199	WASHER	0275	abcd	2	4931623260	SCREW

Repairs/modification and testing of electric power tools are to be carried out by specialists. The safety regulations according to DIN/VDE/CEE/AFNOR and other regulations valid in the different countries are to be observed.

A & M Electric Tools

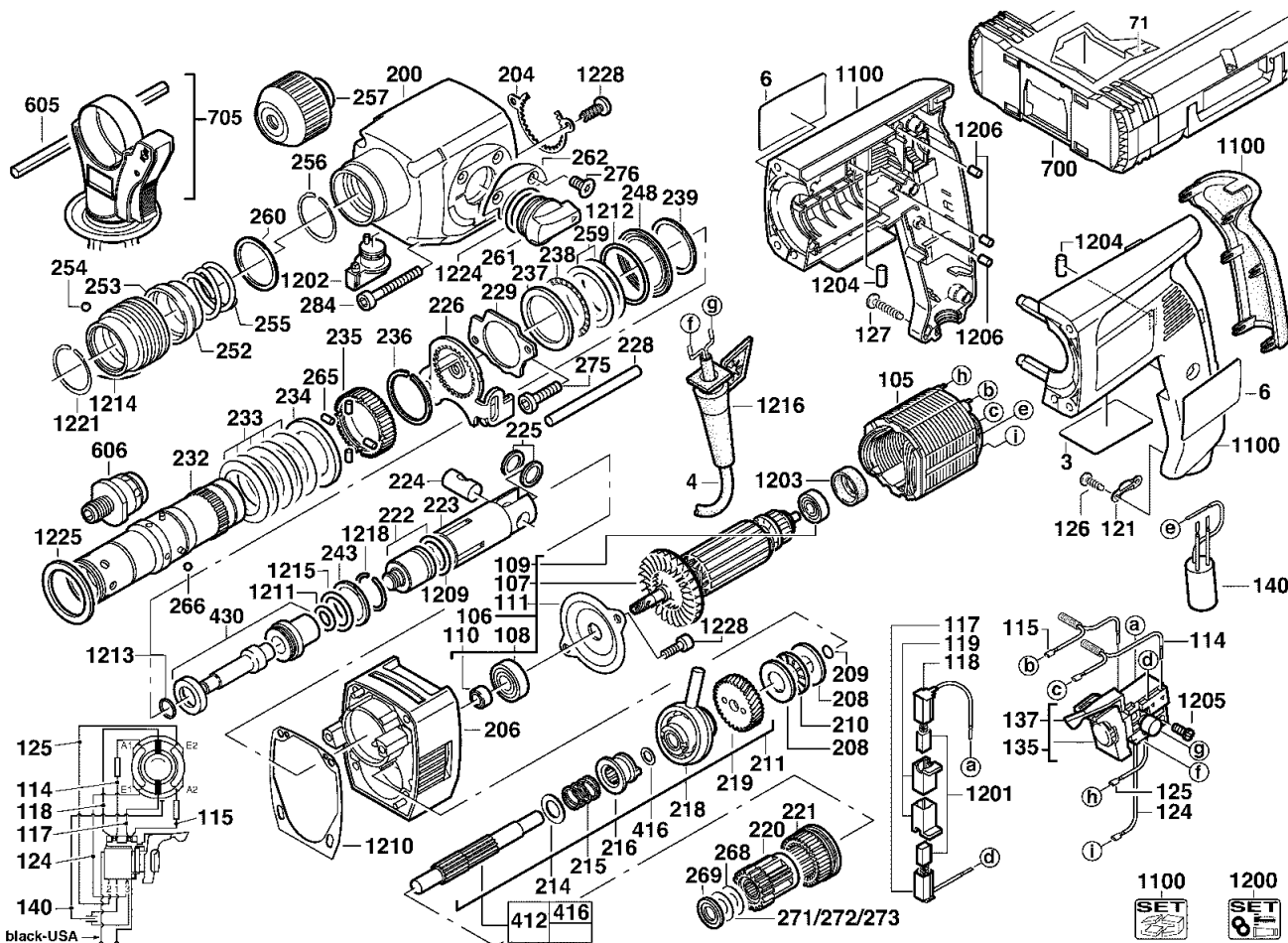
Rotary Hammers

Milwaukee

PPH 24 X 2 E

Exp.view No. Version Date Page
4926 3849 64 0006 27.03.07 3/3

Ind	Product No.	Type	Voltage	Country
a	4000384963	PPH24X2E	220-240V	IN2
b	4000384970	PPH24X2E	110-120V	GB1
c	4000384968	PPH24X2E	240V	GB2
d	4000384963	PPH24X2E	220-240V	AUS



Pos	Index	Quanti	Article No.	Designation	Pos	Index	Quanti	Article No.	Designation
0276	abcd.....	2	4931379109	SCREW	1212	abcd.....	1	4931623135	O-RING
0284	abcd.....	4	4931331734	SCREW	1213	abcd.....	1	4931623232	SEAL RING
0412	abcd.....	1	4931384864	REDUCT. GEAR SHAFT	1214	abcd.....	1	4931379022	SLEEVE
0416	abcd.....	1	4931624264	DISC	1215	abcd.....	1	4931623616	SEAL RING
0430	abcd.....	1	4931379881	REPAIR KIT	1216	abcd.....	1	4931332161	CABLE ENTRY SLEEVE
0605	abcd.....	1	4931384434	DEPTH GAUGE	1218	abcd.....	1	4931623636	RING
0606	abcd.....	1	4931382287	CHUCK ADAPTER	1221	abcd.....	1	4931945764	SPRING RING
0700	abcd.....	1	4932378986	CARRYING CASE	1224	abcd.....	1	4931623293	O-RING
0705	abcd.....	1	4931384886	HANDLE	1225	abcd.....	1	4931379585	FELT WASHER
1100	abcd.....	1	4931359606	HOUSING	1228	abcd.....	4	4931379708	SCREW
1200	a.cd.....	1	4931382088	MAINTENANCE SET					
1200	.b.....	1	4931382184	MAINTENANCE SET					
1201	a.cd.....	1	4931392609	CARBON BRUSH SET					
1201	.b.....	1	4931392580	CARBON BRUSH SET					
1202	abcd.....	1	4931392508	SWITCH HANDLE					
1203	abcd.....	1	4931301483	RUBBER SLEEVE					
1204	abcd.....	2	4931307423	HOLDING-DOWN DEVIC					
1205	abcd.....	2	4931621772	SCREW					
1206	abcd.....	3	4931271824	HOLDING-DOWN DEVIC					
1209	abcd.....	1	4931379705	SEAL RING					
1210	abcd.....	1	4931331735	GASKET					
1211	abcd.....	1	4931387348	O-RING					

Repairs/modification and testing of electric power tools are to be carried out by specialists. The safety regulations according to DIN/VDE/CEE/AFNOR and other regulations valid in the different countries are to be observed.