

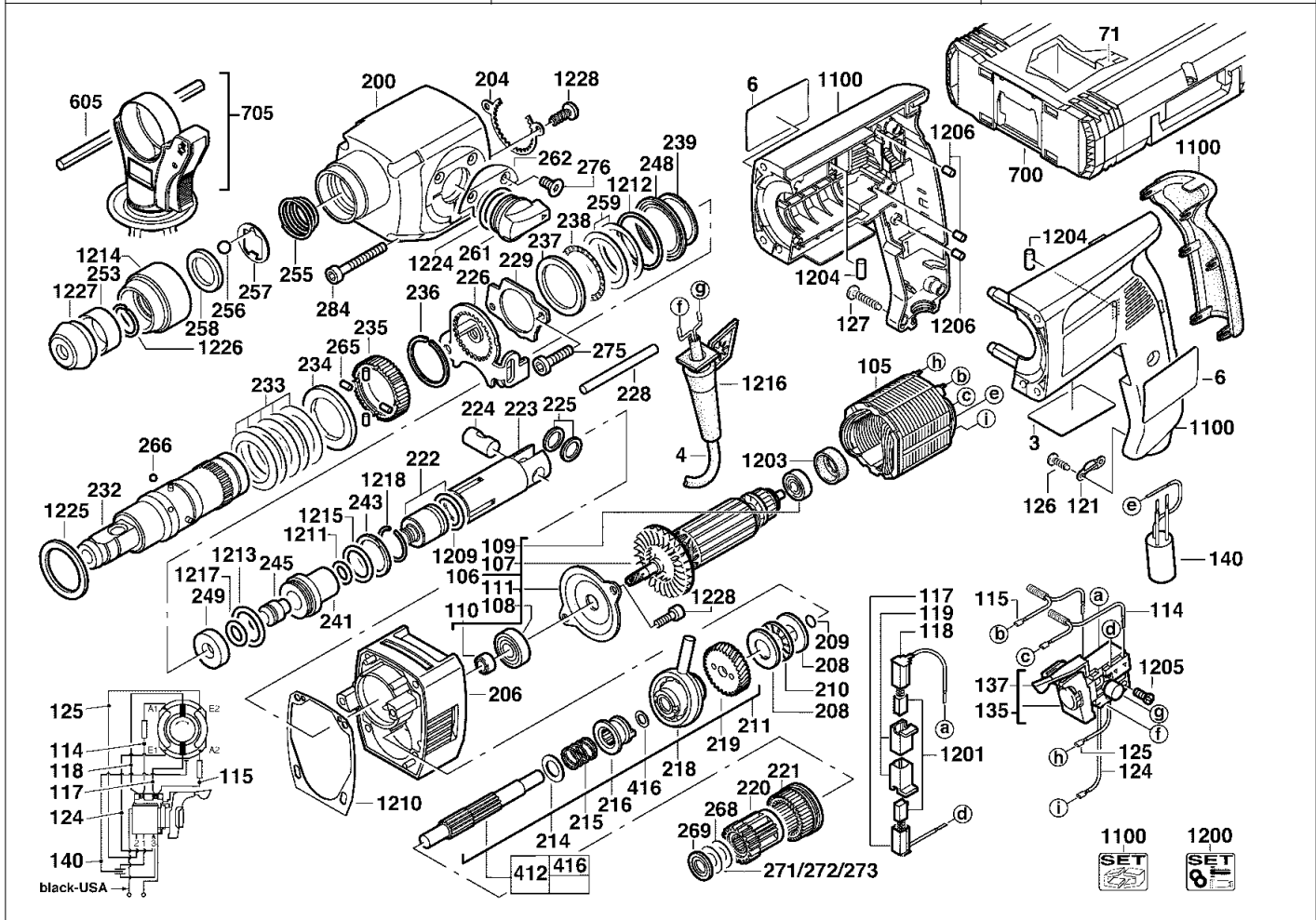
A & M Electric Tools

Rotary Hammers

Ind Product No. Type Voltage Country
 a 4000392115 PPH24E 220-240V IN2

Ind Product No. Type Voltage Country

Milwaukee
PPH 24 E
 Exp.view No. Version Date Page
4926 3921 16 0005 13.02.07 1/3



Pos	Index	Quanti	Article No.	Designation
0003	a.....	1	4931392118	RATING PLATE
0004	a.....	1	4931302112	CONNECTION CABLE
0006	a.....	1	4931378806	TYPE PLATE
0071	a.....	1	4931379664	INSERT
0105	a.....	1	4931301856	ELECTRIC FIELD
0106	a.....	1	4931343020	ARMATURE
0107	a.....	1	4931342643	FAN
0108	a.....	1	4931623188	BALL BEARING
0109	a.....	1	4931624405	BALL BEARING
0110	a.....	1	4931382148	SEALING SLEEVE
0111	a.....	1	4931267585	BEARING COVER
0114	a.....	1	4931623023	CHOKING COIL
0115	a.....	1	4931622291	CHOKING COIL
0117	a.....	1	4931271665	BRUSH HOLDER
0118	a.....	1	4931622292	BRUSH HOLDER
0119	a.....	2	4931315039	BRUSH HOLDER
0121	a.....	1	4931256500	CABLE COLLAR
0124	a.....	1	4931253699	CABLE
0125	a.....	1	4931622262	WIRE
0126	a.....	2	4931624516	SCREW
0127	a.....	6	4931624515	SCREW
0135	a.....	1	4931382377	SWITCH BOARD

Pos	Index	Quanti	Article No.	Designation
0137	a.....	1	4931344836	SWITCH LEVER
0140	a.....	1	4931622384	CAPACITOR
0200	a.....	1	4931382394	GEAR BOX
0204	a.....	1	4931331685	WASHER
0206	a.....	1	4931382381	BEARING END PLATE
0208	a.....	2	4931622575	AXIAL BEAR.WASHER
0209	a.....	1	4931941082	O-RING
0210	a.....	1	4931622567	AXIAL NEEDLE RING
0211	a.....	1	4931379284	REDUCT. GEAR SHAFT
0214	a.....	1	4931621983	DISC
0215	a.....	1	4931379589	PRESSURE SPRING
0216	a.....	1	4931379649	COUPLING SLEEVE
0218	a.....	1	4931379116	WOBBLE DRIVE
0219	a.....	1	4931387316	REDUCT GEAR WHEEL
0220	a.....	1	4931384917	PLANET GEAR
0221	a.....	1	4931331769	INTERN.GEARED WHE
0222	a.....	1	4931387332	PERCUSSION BODY
0223	a.....	1	4931379587	CYLINDER
0224	a.....	1	4931331623	CYLINDRICAL BOLT
0225	a.....	1	4931400589	WASHER
0226	a.....	1	4931331752	SLIDER
0228	a.....	1	4931623081	PIN

Repairs/modification and testing of electric power tools are to be carried out by specialists. The safety regulations according to DIN/VDE/CEE/AFNOR and other regulations valid in the different countries are to be observed.

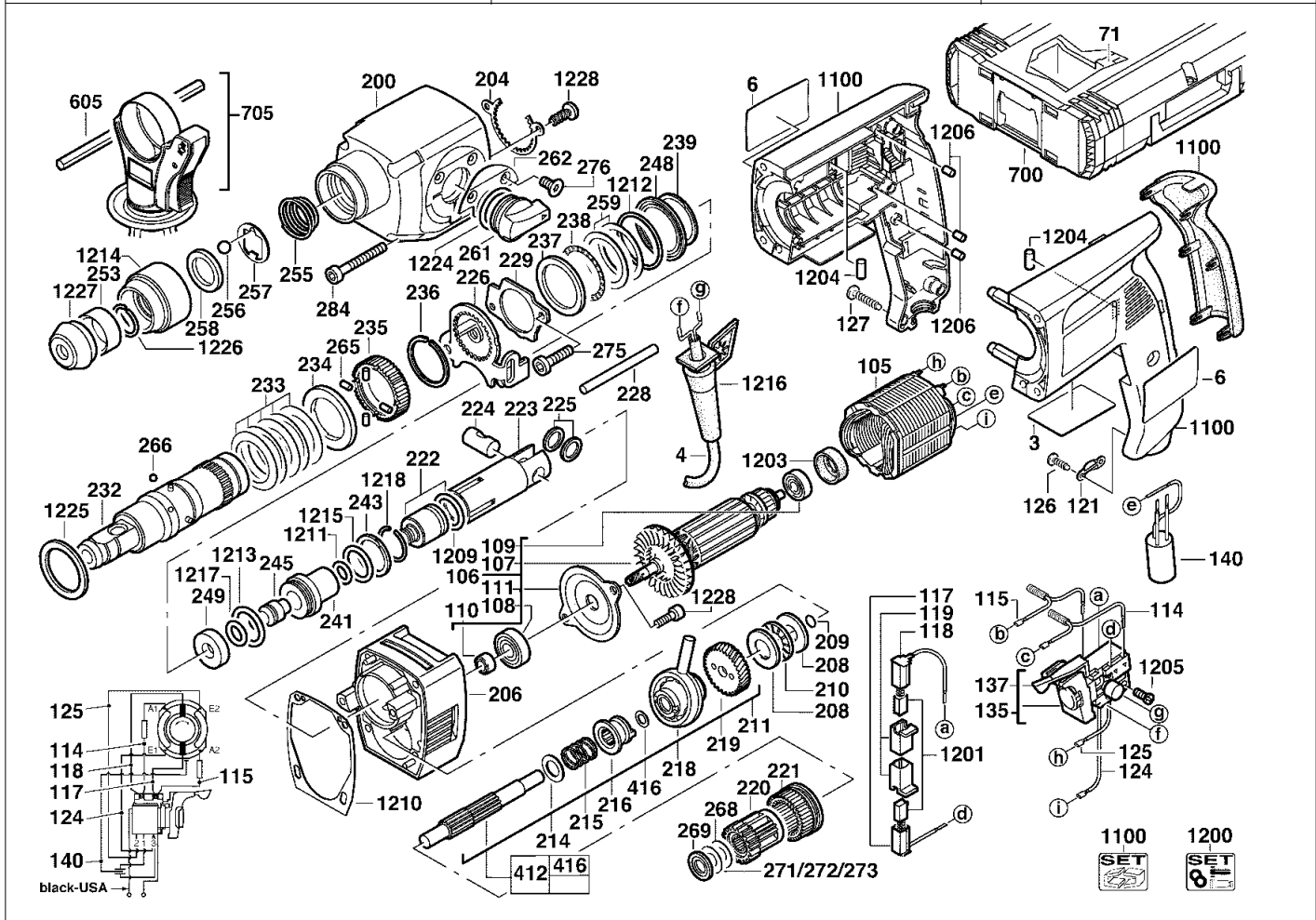
A & M Electric Tools

Rotary Hammers

Ind Product No. Type Voltage Country
 a 4000392115 PPH24E 220-240V IN2

Ind Product No. Type Voltage Country

Milwaukee
PPH 24 E
 Exp.view No. Version Date Page
 4926 3921 16 0005 13.02.07 3/3



Pos	Index	Quanti	Article No.	Designation
1209	a.....	1	4931379705	SEAL RING
1210	a.....	1	4931331735	GASKET
1211	a.....	1	4931387348	O-RING
1212	a.....	1	4931623135	O-RING
1213	a.....	1	4931623221	RADIAL SEAL RING
1214	a.....	1	4931343965	SLEEVE
1215	a.....	1	4931624492	SEAL RING
1216	a.....	1	4931332161	CABLE ENTRY SLEEVE
1217	a.....	1	4931624493	SEAL RING
1218	a.....	1	4931623636	RING
1224	a.....	1	4931623293	O-RING
1225	a.....	1	4931379585	FELT WASHER
1226	a.....	1	4931623220	SPRING RING
1227	a.....	1	4931343123	CAP
1228	a.....	4	4931379708	SCREW

Pos	Index	Quanti	Article No.	Designation
-----	-------	--------	-------------	-------------

Repairs/modification and testing of electric power tools are to be carried out by specialists. The safety regulations according to DIN/VDE/CEE/AFNOR and other regulations valid in the different countries are to be observed.