

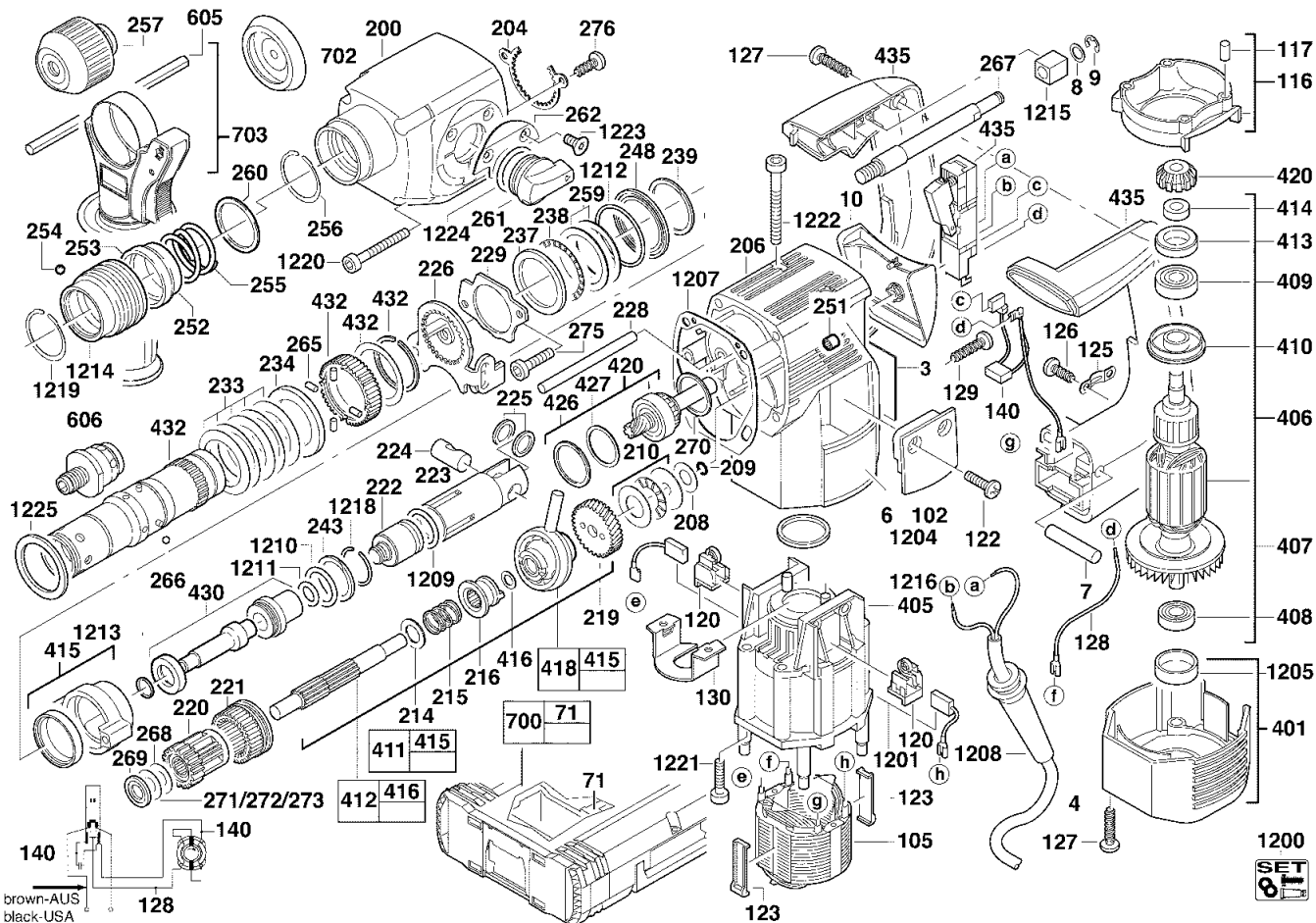
A & M Electric Tools

Ind	Product No.	Type	Voltage	Country
a	4000384027	PLH32XE	220-240V	IN2
b	4000382353	PLH32XE	220-240V	AUS
c	4000384034	PLH32XE	110-120V	GB1

Rotary Hammers

Milwaukee
PLH 32 XE

Exp.view No. Version Date Page
4926 3823 55 0014 20.09.04 1/3



Pos	Index	Quanti	Article No.	Designation	Pos	Index	Quanti	Article No.	Designation
0003	a.....	1	4931384030	RATING PLATE	0127	abc.....	7	4931624515	SCREW
0003	.b.....	1	4931382364	RATING PLATE	0128	abc.....	1	4931623541	WIRE
0003	.c.....	1	4931384037	RATING PLATE	0129	abc.....	1	4931622153	SCREW
0004	a.....	1	4931250832	CONNECTION CABLE	0130	abc.....	1	4931356869	BEARING COVER
0004	.b.....	1	4931624341	CONNECTION CABLE	0140	abc.....	1	4931360833	CAPACITOR
0004	.c.....	1	4931623531	CONNECTION CABLE	0200	abc.....	1	4931384040	GEAR BOX
0006	abc.....	2	4931382365	NAME PLATE	0204	abc.....	1	4931331685	WASHER
0007	abc.....	1	4931623456	GROOVED DOWEL PIN	0206	abc.....	1	4931382948	GEAR BOX
0008	abc.....	1	4931623094	WASHER	0208	abc.....	1	4931623637	WASHER
0009	abc.....	1	4931621834	WASHER	0209	abc.....	1	4931941082	O-RING
0010	abc.....	1	4931360377	GEAR BOX COVER	0210	abc.....	1	4931360041	THRUST BEARING
0071	abc.....	1	4931379401	INSERT	0214	abc.....	1	4931621983	DISC
0102	abc.....	2	4931379134	COVER	0215	abc.....	1	4931379589	PRESSURE SPRING
0105	ab.....	1	4931344065	ELECTRIC FIELD	0216	abc.....	1	4931379649	COUPLING SLEEVE
0105	.c.....	1	4931343664	ELECTRIC FIELD	0219	abc.....	1	4931379097	REDUCT GEAR WHEEL
0116	abc.....	1	4931353230	AIR DEFLECTOR RING	0220	abc.....	1	4931384917	PLANET GEAR
0117	abc.....	4	4931332524	HOLDING-DOWN DEVIC	0221	abc.....	1	4931331769	INTERN.GEARED WHE
0120	abc.....	2	4931382268	BRUSH HOLDER	0222	abc.....	1	4931382168	PERCUSSION BODY
0122	abc.....	4	4931624267	SCREW	0223	abc.....	1	4931379587	CYLINDER
0123	abc.....	2	4931342808	CENTERING LEDGE	0224	abc.....	1	4931331623	CYLINDRICAL BOLT
0125	abc.....	1	4931256500	CABLE COLLAR	0225	abc.....	2	4931400589	WASHER
0126	abc.....	2	4931624516	SCREW	0226	abc.....	1	4931331752	SLIDER

Repairs/modification and testing of electric power tools are to be carried out by specialists. The safety regulations according to DIN/VDE/CEE/AFNOR and other regulations valid in the different countries are to be observed.

A & M Electric Tools

Rotary Hammers

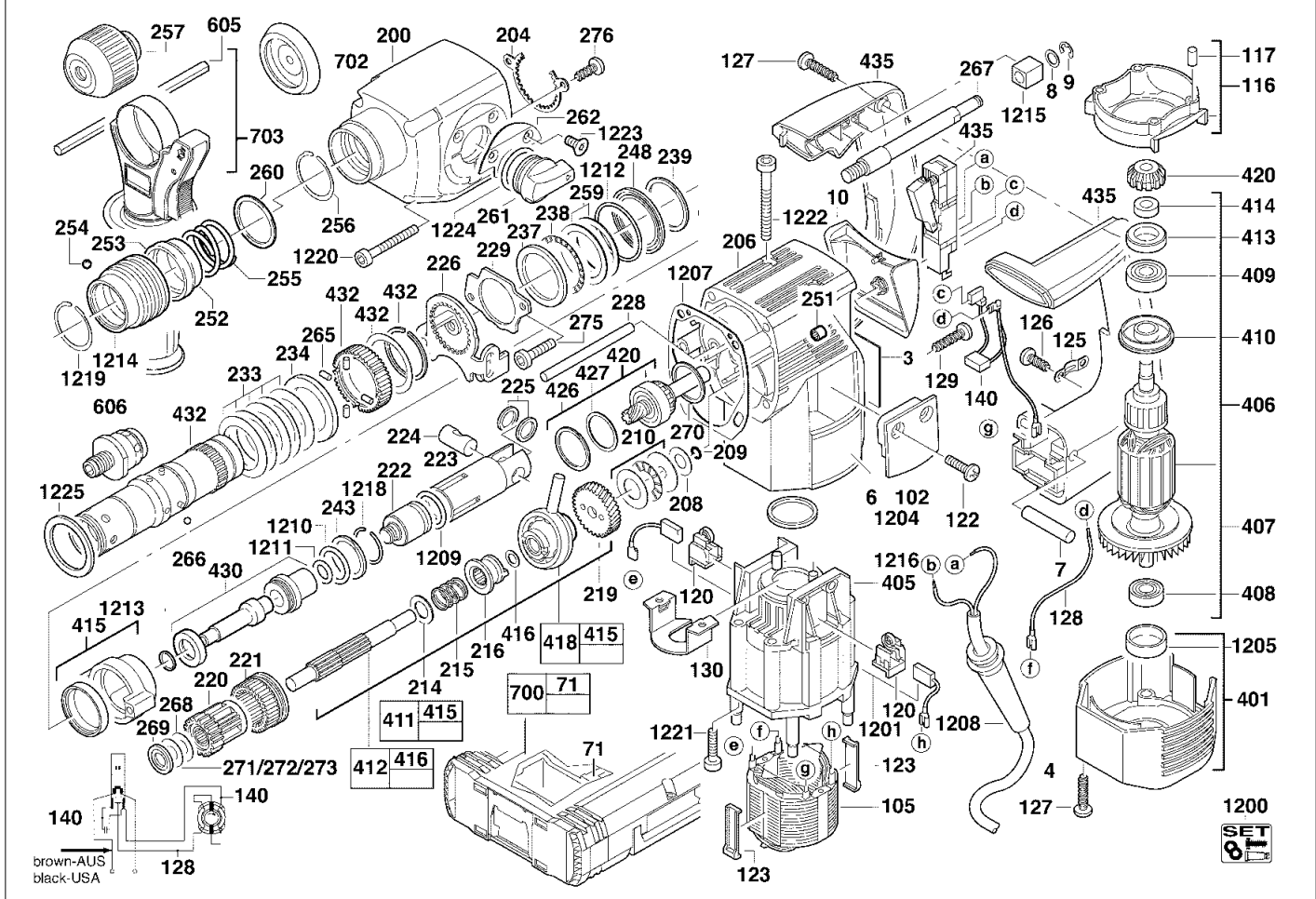
Milwaukee

PLH 32 XE

Exp.view No. Version Date Page
4926 3823 55 0014 20.09.04 2/3

Ind	Product No.	Type	Voltage	Country
a	4000384027	PLH32XE	220-240V	IN2
b	4000382353	PLH32XE	220-240V	AUS
c	4000384034	PLH32XE	110-120V	GB1

Ind	Product No.	Type	Voltage	Country
-----	-------------	------	---------	---------



Pos	Index	Quanti	Article No.	Designation	Pos	Index	Quanti	Article No.	Designation
0228	abc	1	4931623081	PIN	0267	abc	1	4931400216	REPAIR KIT
0229	abc	1	4931331787	LATCH PLATE	0268	abc	1	4931624096	DISC
0233	abc	5	4931379071	CUP SPRING	0269	abc	1	4931379420	SPACER
0234	abc	1	4931379110	CLUTCH DISC	0270	abc	1	4931360013	RING
0237	abc	1	4931623199	WASHER	0271	abc	1	4931624098	DISC
0238	abc	1	4931331713	THRUST BEARING	0272	abc	1	4931624097	DISC
0239	abc	1	4931343187	LOCKING WASHER	0273	abc	1	4931624096	DISC
0243	abc	1	4931387338	THRUST COLLAR	0275	abc	2	4931623602	SCREW
0248	abc	1	4931343049	WASHER	0276	abc	2	4931379708	SCREW
0251	abc	2	4931219424	NEEDLE BEARING	0401	abc	1	4931360732	MOTOR COVER
0252	abc	1	4931382921	SLEEVE	0405	abc	1	4931384337	MOTOR HOUSING
0253	abc	1	4931379875	SLEEVE	0406	ab	1	4931356832	ARMATURE
0254	abc	6	4931805437	BALL	0406	.c	1	4931379657	ARMATURE
0255	abc	1	4931331754	PRESSURE SPRING	0407	abc	1	4931342793	FAN
0256	abc	1	4931945764	SPRING RING	0408	abc	1	4931341740	GROOVED BALL BEAR.
0257	abc	1	4931379739	ADAPTER	0409	abc	1	4931624101	BALL BEARING
0259	abc	2	4931623200	WASHER	0410	abc	1	4931353260	INSULATING DISC
0260	abc	1	4931623234	WASHER	0411	abc	1	4931384561	REPAIR KIT
0261	abc	1	4931392506	SWITCH HANDLE	0412	abc	1	4931384864	REDUCT. GEAR SHAFT
0262	abc	1	4931379108	LATCH PLATE	0413	abc	1	4931356522	SLEEVE
0265	abc	4	4931624045	CYLINDER PULLEY	0414	abc	1	4931353238	SPACER
0266	abc	4	4931805390	BALL	0415	abc	1	4931384557	BUSHING

Repairs/modification and testing of electric power tools are to be carried out by specialists. The safety regulations according to DIN/VDE/CEE/AFNOR and other regulations valid in the different countries are to be observed.

A & M Electric Tools

Rotary Hammers

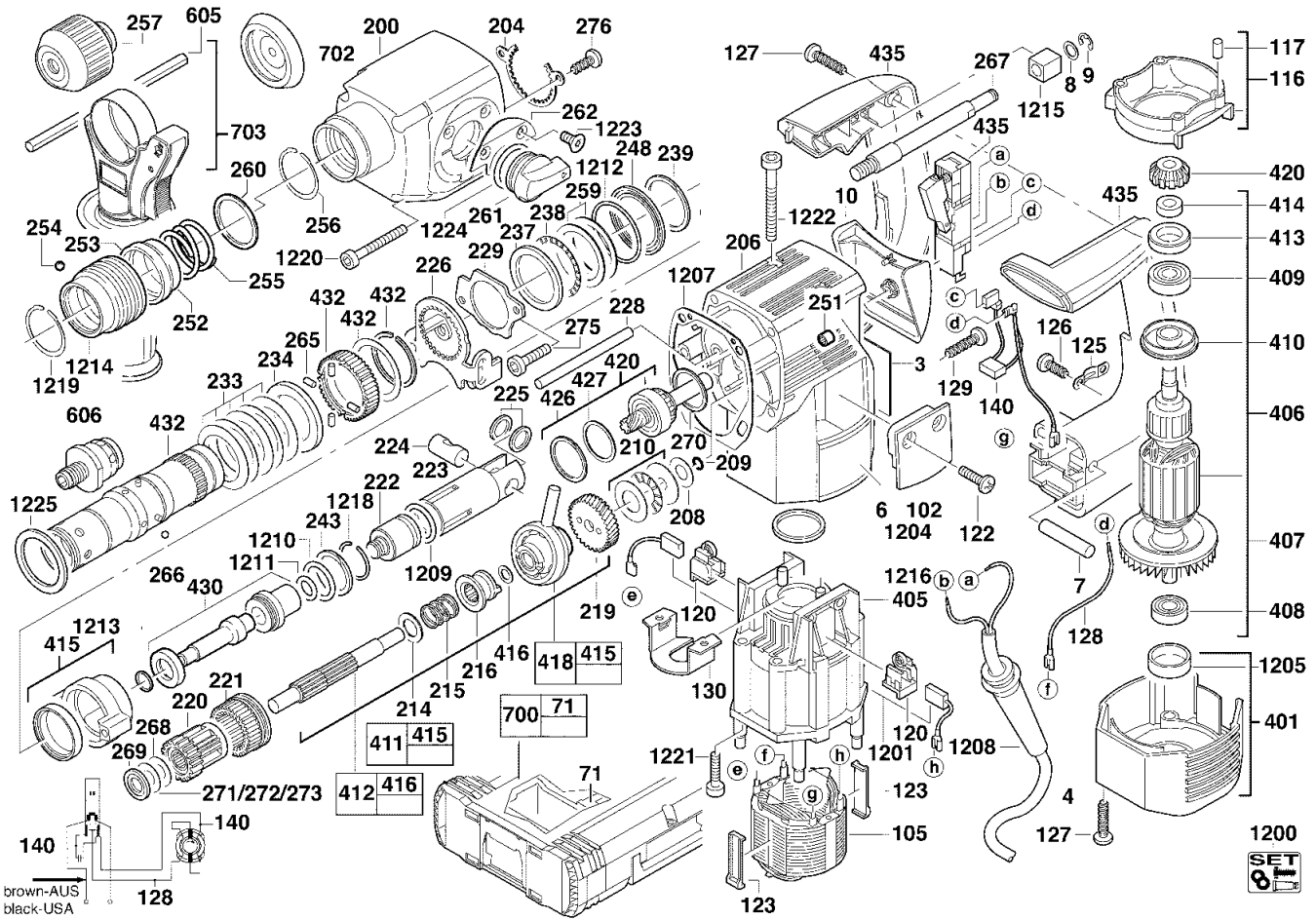
Milwaukee

PLH 32 XE

Exp.view No. Version Date Page

4926 3823 55 0014 20.09.04 3/3

Ind	Product No.	Type	Voltage	Country	Ind	Product No.	Type	Voltage	Country
a	4000384027	PLH32XE	220-240V	IN2					
b	4000382353	PLH32XE	220-240V	AUS					
c	4000384034	PLH32XE	110-120V	GB1					



Pos	Index	Quanti	Article No.	Designation
0416	abc	1	4931624264	DISC
0418	abc	1	4931384560	REPAIR KIT
0420	abc	1	4931379098	PINION SHAFT
0426	abc	1	4931616614	LOCKING RING
0427	abc	1	4931622564	DISC
0430	abc	1	4931379881	REPAIR KIT
0432	abc	1	4931384927	REPAIR KIT
0435	abc	1	4931384900	REPAIR KIT
0605	abc	1	4931384434	DEPTH GAUGE
0606	abc	1	4931382287	CHUCK ADAPTER
0700	abc	1	4932378986	CARRYING CASE
0702	abc	1	4932265320	DUST CATCHER
0703	abc	1	4932373725	HANDLE
1200	ab	1	4931379120	MAINTENANCE SET
1200	..c	1	4931379362	MAINTENANCE SET
1201	ab	1	4931369477	CARBON BRUSH SET
1201	..c	1	4931392592	CARBON BRUSH SET
1204	abc	1	4931623124	O-RING
1205	abc	1	4931360781	RUBBER SLEEVE
1207	abc	1	4931331735	GASKET
1208	abc	1	4931307027	CABLE ENTRY SLEEVE
1209	abc	1	4931379705	SEAL RING

Pos	Index	Quanti	Article No.	Designation
1210	abc	1	4931623616	SEAL RING
1211	abc	1	4931623468	RADIAL SEAL RING
1212	abc	1	4931623135	O-RING
1213	abc	1	4931623232	SEAL RING
1214	abc	1	4931379022	SLEEVE
1215	abc	1	4931392502	DAMPING ELEMENT
1216	abc	2	4931331549	HOLDING-DOWN DEVIC
1218	abc	1	4931623636	RING
1219	abc	1	4931945764	SPRING RING
1220	abc	4	4931623521	SCREW
1221	abc	4	4931623520	SCREW
1222	abc	2	4931623519	SCREW
1223	abc	2	4931379109	SCREW
1224	abc	1	4931623293	O-RING
1225	abc	1	4931379585	FELT WASHER

Repairs/modification and testing of electric power tools are to be carried out by specialists. The safety regulations according to DIN/VDE/CEE/AFNOR and other regulations valid in the different countries are to be observed.