

# A & M Electric Tools

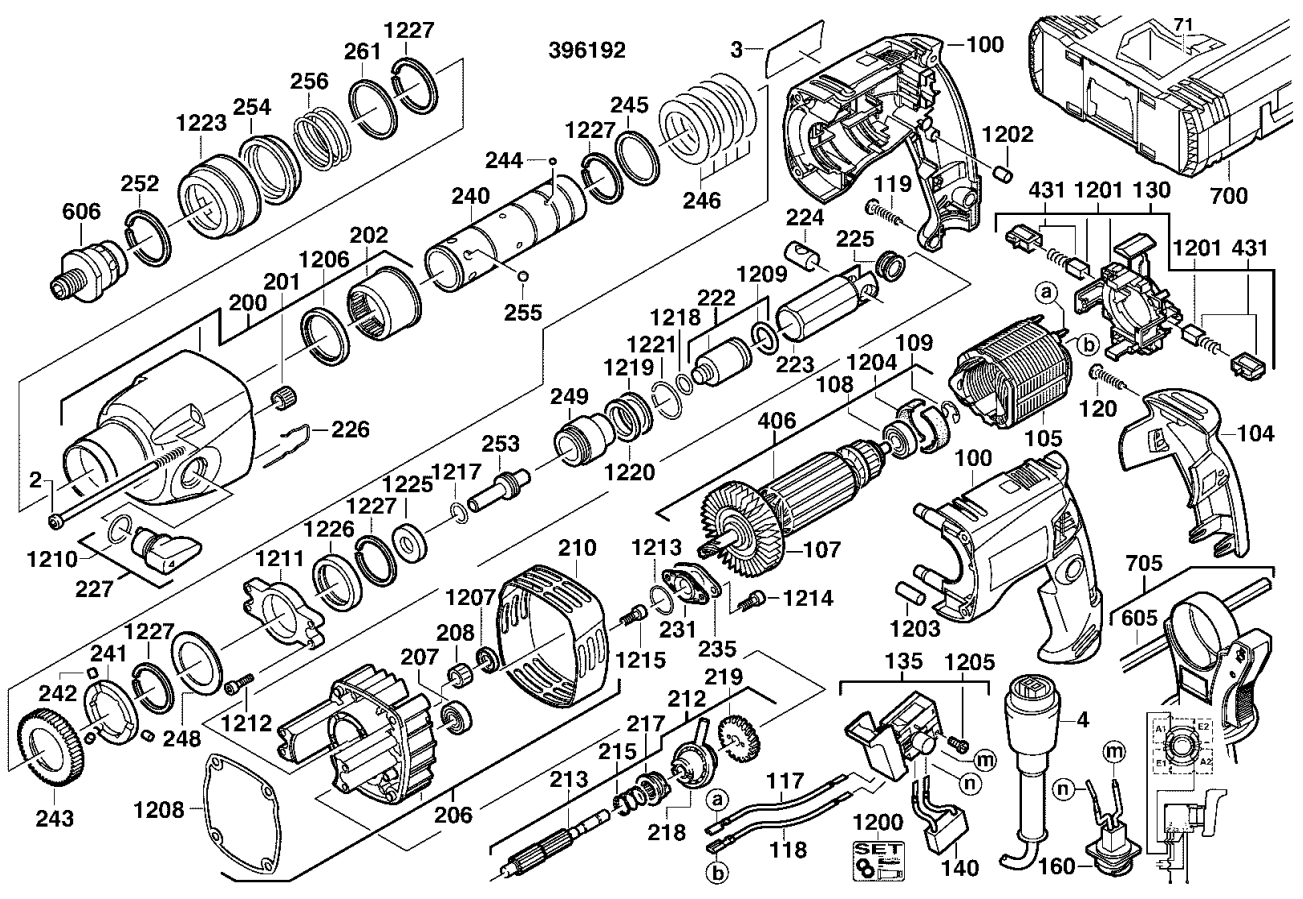
# Rotary Hammers

Milwaukee

**PFH 25 QEX**

Exp.view No.      Version    Date      Page  
**4926 3961 92    0002 13.02.07 1/3**

Ind	Product No.	Type	Voltage	Country	Ind	Product No.	Type	Voltage	Country
a	4000396191	PFH25QEX	220-240V	IN2					
b	4000396196	PFH25QEX	110V	GB1					



Pos	Index	Quanti	Article No.	Designation	Pos	Index	Quanti	Article No.	Designation
0002	ab.....	4	4931331734	SCREW	0135	.b.....	1	4931374497	SWITCH BOARD
0003	a.....	1	4931396194	RATING PLATE	0140	ab.....	1	4931311062	CAPACITOR
0003	.b.....	1	4931396198	RATING PLATE	0160	a.....	1	4931364437	INSERT
0004	a.....	1	4931624171	CONNECTION CABLE	0160	.b.....	1	4931364436	PLUG
0004	.b.....	1	4931624186	CONNECTION CABLE	0200	ab.....	1	4931382316	GEAR BOX
0071	ab.....	1	4931380081	INSERT	0201	ab.....	1	4931933756	NEEDLE BEARING
0100	ab.....	1	4931374910	BODY	0202	ab.....	1	4931365065	NEEDLE BUSH
0104	ab.....	1	4931374488	HANDLE COVER	0206	ab.....	1	4931382969	BEARING END PLATE
0105	a.....	1	4931374623	ELECTRIC FIELD	0207	ab.....	1	4931623951	BALL BEARING
0105	.b.....	1	4931364086	ELECTRIC FIELD	0208	ab.....	1	4931219424	NEEDLE BEARING
0107	ab.....	1	4931330633	FAN	0210	ab.....	1	4931382970	INSUL.FOR END PLATE
0108	ab.....	1	4931624169	BALL BEARING	0212	ab.....	1	4931365015	REDUCTION GEAR
0109	ab.....	1	4931621834	WASHER	0213	ab.....	1	4931365010	REDUCT. GEAR SHAFT
0117	a.....	1	4931253700	WIRE	0215	ab.....	1	4931365058	SPRING
0117	.b.....	1	4931623372	WIRE	0217	ab.....	1	4931365012	COUPLING SLEEVE
0118	a.....	1	4931253700	WIRE	0218	ab.....	1	4931365013	WOBBLE DRIVE
0118	.b.....	1	4931623372	WIRE	0219	ab.....	1	4931365014	REDUCTION GEAR
0119	ab.....	5	4931618253	SCREW	0222	ab.....	1	4931365028	PERCUSSION BODY
0120	ab.....	1	4931624517	SCREW	0223	ab.....	1	4931365029	CYLINDER
0130	a.....	1	4931374498	SET COLLAR	0224	ab.....	1	4931365056	CYLINDRICAL BOLT
0130	.b.....	1	4931374499	SET COLLAR	0225	ab.....	2	4931365112	DISC
0135	a.....	1	4931382238	SWITCH BOARD	0226	ab.....	1	4931365047	LOCKING WASHER

Repairs/modification and testing of electric power tools are to be carried out by specialists. The safety regulations according to DIN/VDE/CEE/AFNOR and other regulations valid in the different countries are to be observed.

# A & M Electric Tools

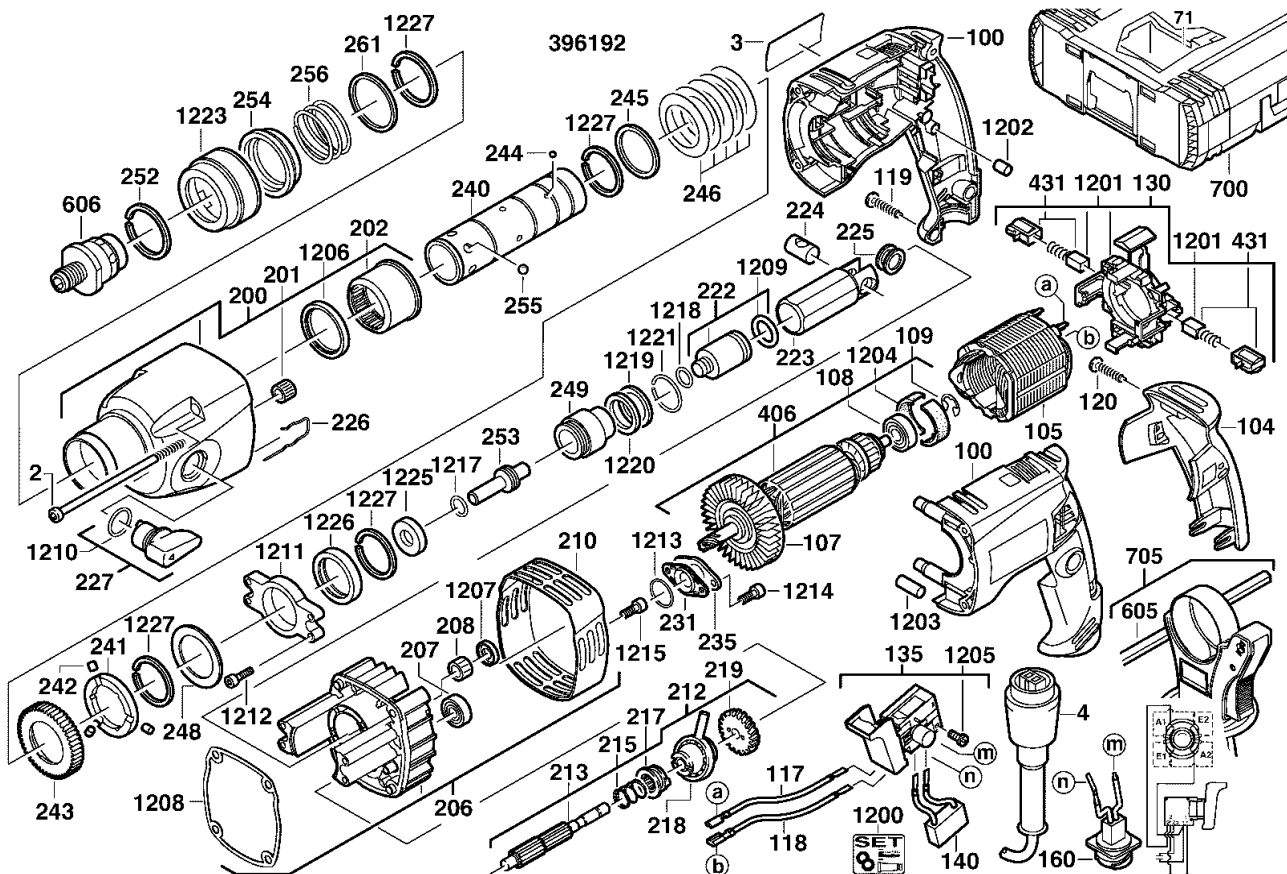
# Rotary Hammers

Ind	Product No.	Type	Voltage	Country
a	4000396191	PFH25QEX	220-240V	IN2
b	4000396196	PFH25QEX	110V	GB1

Ind	Product No.	Type	Voltage	Country
-----	-------------	------	---------	---------

**Milwaukee**  
**PFH 25 QEX**

Exp.view No.      Version      Date      Page  
**4926 3961 92      0002      13.02.07      2/3**



Pos	Index	Quanti	Article No.	Designation	Pos	Index	Quanti	Article No.	Designation
0227	ab.....	1	4931374856	SWITCH HANDLE	0605	ab.....	1	4931384434	DEPTH GAUGE
0231	ab.....	1	4931365051	BEARING COVER	0606	ab.....	1	4931374642	CHUCK ADAPTER
0235	ab.....	1	4931365135	SPECS	0700	ab.....	1	4932378986	CARRYING CASE
0240	ab.....	1	4931374293	SPINDLE SLEEVE	0705	ab.....	1	4931384886	HANDLE
0241	ab.....	1	4931392751	CLUTCH DISC	1200	a.....	1	4931374629	MAINTENANCE SET
0242	ab.....	3	4931365057	CYLINDRICAL BOLT	1200	b.....	1	4931374867	MAINTENANCE SET
0243	ab.....	1	4931392489	SPINDLE GEAR	1201	a.....	1	4931392604	CARBON BRUSH SET
0244	ab.....	3	4931944281	BALL	1202	ab.....	1	4931271824	HOLDING-DOWN DEVIC
0245	ab.....	1	4931623234	WASHER	1203	ab.....	1	4931307423	HOLDING-DOWN DEVIC
0246	ab.....	5	4931365066	CUP SPRING	1204	ab.....	1	4931392373	RUBBER SPRING
0248	ab.....	1	4931623199	WASHER	1205	ab.....	2	4931621772	SCREW
0249	ab.....	1	4931365136	SLEEVE	1206	ab.....	1	4931623885	SEAL RING
0252	ab.....	1	4931945764	SPRING RING	1207	ab.....	1	4931623700	SEAL RING
0253	ab.....	1	4931374327	SNAP DIE	1208	ab.....	1	4931379289	SEAL
0254	ab.....	1	4931331749	RING	1209	ab.....	1	4931360319	SEAL RING
0255	ab.....	6	4931805437	BALL	1210	ab.....	1	4931920948	O-RING
0256	ab.....	1	4931331754	PRESSURE SPRING	1211	ab.....	1	4931365032	SINTERED BEARING
0261	ab.....	1	4931623234	WASHER	1212	ab.....	4	4931623886	SCREW
0406	a.....	1	4931365911	ARMATURE	1213	ab.....	1	4931623833	SEAL RING
0406	b.....	1	4931374198	ARMATURE	1214	ab.....	2	4931267225	SCREW
0431	a.....	1	4931392563	CARBON BRUSH SET	1215	ab.....	1	4931374073	SCREW
0431	b.....	1	4931372361	CARBON BRUSH SET	1217	ab.....	1	4931623783	SEAL RING

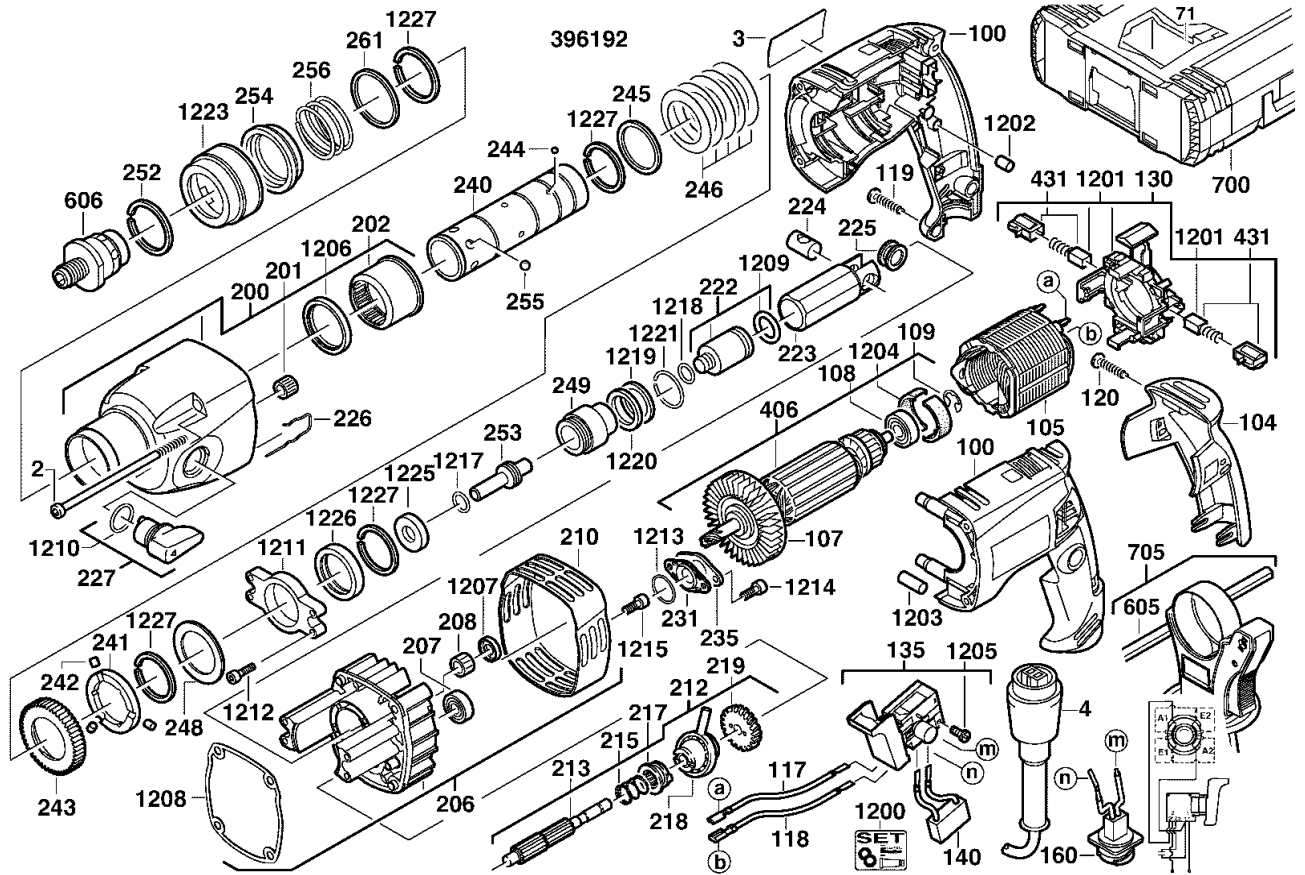
Repairs/modification and testing of electric power tools are to be carried out by specialists. The safety regulations according to DIN/VDE/CEE/AFNOR and other regulations valid in the different countries are to be observed.

**A & M Electric Tools**

Ind	Product No.	Type	Voltage	Country
a	4000396191	PFH25QEX	220-240V	IN2
b	4000396196	PFH25QEX	110V	GB1

**Rotary Hammers**

Ind	Product No.	Type	Voltage	Country
<b>Milwaukee</b>				
<b>PFH 25 QEX</b>				
Exp.view No.     Version     Date     Page				
4926 3961 92    0002    13.02.07    3/3				



Pos	Index	Quanti	Article No.	Designation
1218	ab	1	4931387348	O-RING
1219	ab	1	4931622160	DISC
1220	ab	1	4931943504	O-RING
1221	a	1	4931623860	SPRING RING
1223	ab	1	4931379022	SLEEVE
1225	ab	1	4931374728	STOP WASHER
1226	ab	1	4931365188	DAMPING RING
1227	ab	4	4931945764	SPRING RING

Pos	Index	Quanti	Article No.	Designation
-----	-------	--------	-------------	-------------