

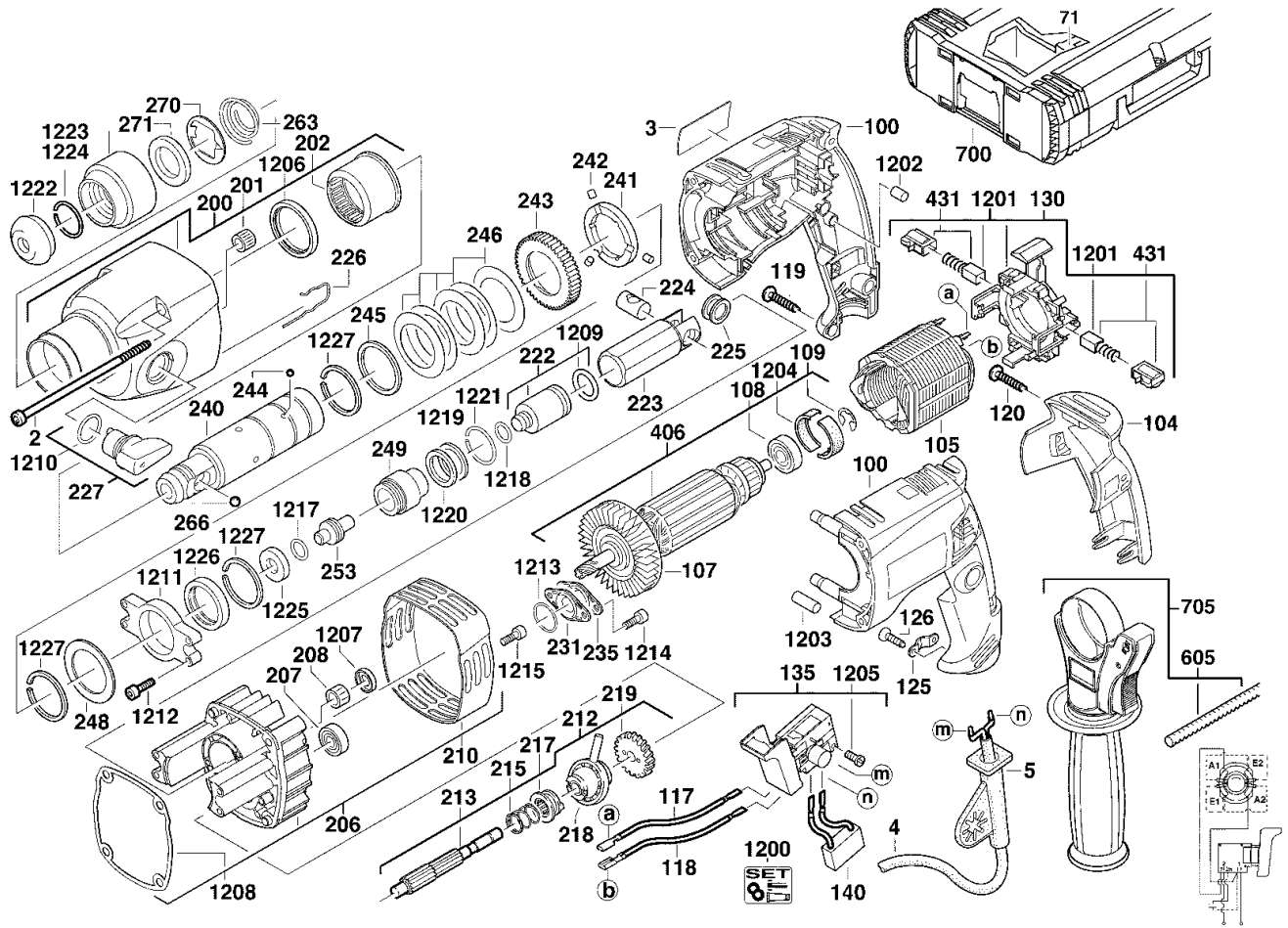
A & M Electric Tools

Rotary Hammers

Ind	Product No.	Type	Voltage	Country
a	4000384360	PFH242	220-240V	IN2
b	4000384366	PFH242	240V	GB2
c	4000384370	PFH242	110-120V	GB1

Ind	Product No.	Type	Voltage	Country

Milwaukee			
PFH 242			
Exp.view No.	Version	Date	Page
4926 3844 25	0004	19.02.07	1/3



Pos	Index	Quanti	Article No.	Designation
0002	abc	4	4931331734	SCREW
0003	a	1	4931384364	RATING PLATE
0003	b	1	4931384368	RATING PLATE
0003	c	1	4931384373	RATING PLATE
0004	a	1	4931302112	CONNECTION CABLE
0004	b	1	4931328463	CONNECTION CABLE
0004	c	1	4931624008	CONNECTION CABLE
0005	abc	1	4931364122	PROTECTING COVER
0071	abc	1	4931380081	INSERT
0100	abc	1	4931374910	BODY
0104	abc	1	4931374488	HANDLE COVER
0105	ab	1	4931374623	ELECTRIC FIELD
0105	c	1	4931364086	ELECTRIC FIELD
0107	abc	1	4931330633	FAN
0108	abc	1	4931624169	BALL BEARING
0109	abc	1	4931621834	WASHER
0117	ab	1	4931253700	WIRE
0117	c	1	4931623372	WIRE
0118	ab	1	4931253700	WIRE
0118	c	1	4931623372	WIRE
0119	abc	5	4931618253	SCREW
0120	abc	1	4931624517	SCREW

Pos	Index	Quanti	Article No.	Designation
0125	abc	1	4931256500	CABLE COLLAR
0126	abc	2	4931624538	SCREW
0130	ab	1	4931374498	SET COLLAR
0130	c	1	4931374499	SET COLLAR
0135	ab	1	4931382238	SWITCH BOARD
0135	c	1	4931374497	SWITCH BOARD
0140	abc	1	4931311062	CAPACITOR
0200	abc	1	4931382316	GEAR BOX
0201	abc	1	4931933756	NEEDLE BEARING
0202	abc	1	4931365065	NEEDLE BUSH
0206	abc	1	4931382318	BEARING END PLATE
0207	abc	1	4931623951	BALL BEARING
0208	abc	1	4931219424	NEEDLE BEARING
0210	abc	1	4931382319	INSUL.FOR END PLATE
0212	abc	1	4931365015	REDUCTION GEAR
0213	abc	1	4931365010	REDUCT. GEAR SHAFT
0215	abc	1	4931365058	SPRING
0217	abc	1	4931365012	COUPLING SLEEVE
0218	abc	1	4931365013	WOBBLE DRIVE
0219	abc	1	4931365014	REDUCTION GEAR
0222	abc	1	4931365028	PERCUSSION BODY
0223	abc	1	4931365029	CYLINDER

Repairs/modification and testing of electric power tools are to be carried out by specialists. The safety regulations according to DIN/VDE/CEE/AFNOR and other regulations valid in the different countries are to be observed.

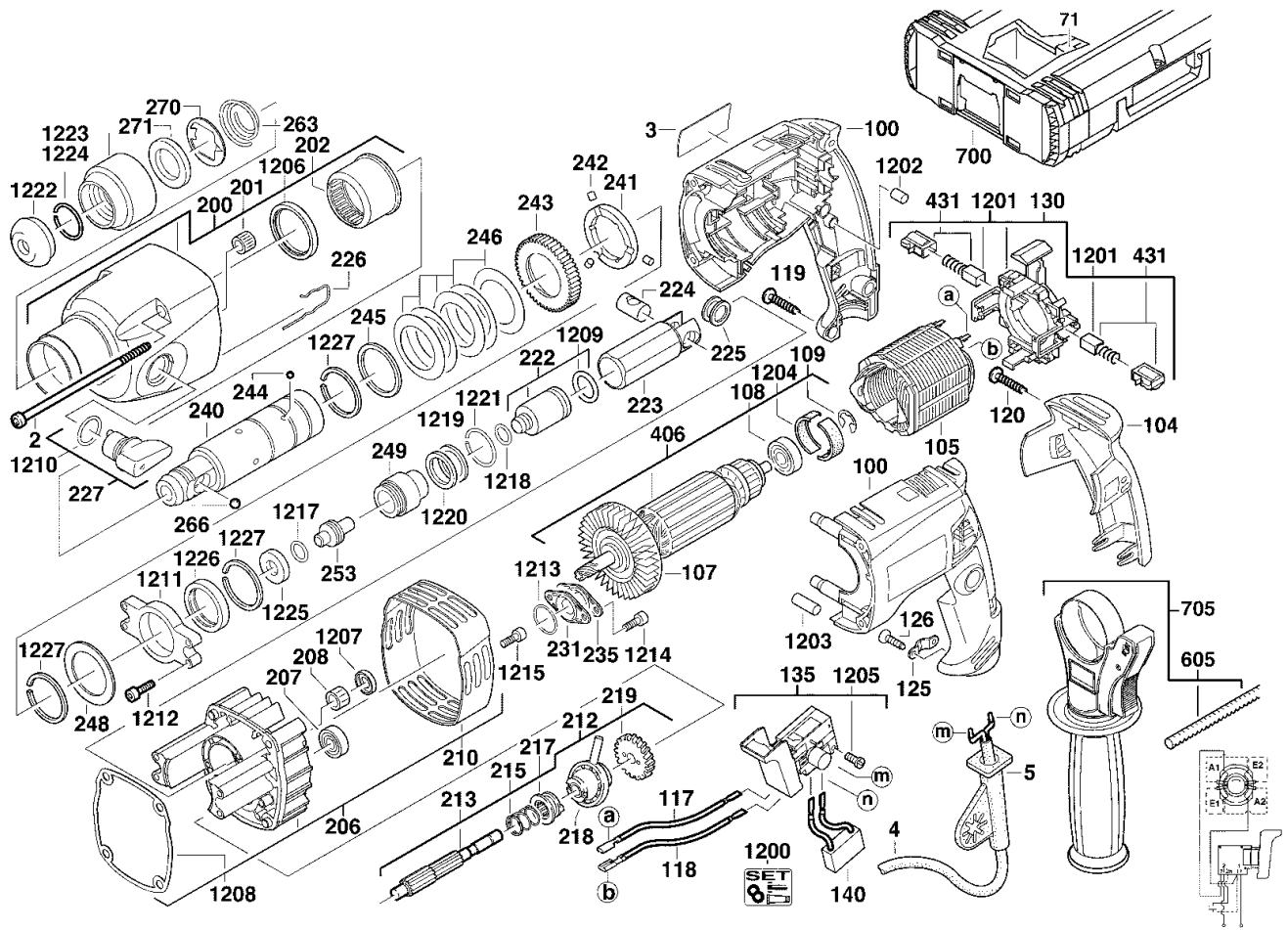
A & M Electric Tools

Rotary Hammers

Ind	Product No.	Type	Voltage	Country
a	4000384360	PFH242	220-240V	IN2
b	4000384366	PFH242	240V	GB2
c	4000384370	PFH242	110-120V	GB1

Ind	Product No.	Type	Voltage	Country

Milwaukee			
PFH 242			
Exp.view No.	Version	Date	Page
4926 3844 25	0004	19.02.07	2/3



Pos	Index	Quanti	Article No.	Designation	Pos	Index	Quanti	Article No.	Designation
0224	abc.....	1	4931365056	CYLINDRICAL BOLT	0431	ab.....	1	4931392563	CARBON BRUSH SET
0225	abc.....	2	4931365112	DISC	0431	..c.....	1	4931372361	CARBON BRUSH SET
0226	abc.....	1	4931365047	LOCKING WASHER	0605	abc.....	1	4931384434	DEPTH GAUGE
0227	abc.....	1	4931374856	SWITCH HANDLE	0700	abc.....	1	4932378986	CARRYING CASE
0231	abc.....	1	4931365051	BEARING COVER	0705	abc.....	1	4932373725	HANDLE
0235	abc.....	1	4931365135	SPECS	1200	ab.....	1	4931365910	MAINTENANCE SET
0240	abc.....	1	4931374258	SPINDLE SLEEVE	1200	..c.....	1	4931374197	MAINTENANCE SET
0241	abc.....	1	4931392751	CLUTCH DISC	1201	ab.....	1	4931392604	CARBON BRUSH SET
0242	abc.....	3	4931365057	CYLINDRICAL BOLT	1202	abc.....	1	4931271824	HOLDING-DOWN DEVIC
0243	abc.....	1	4931392489	SPINDLE GEAR	1203	abc.....	1	4931307423	HOLDING-DOWN DEVIC
0244	abc.....	3	4931944281	BALL	1204	abc.....	1	4931392373	RUBBER SPRING
0245	abc.....	1	4931623234	WASHER	1205	abc.....	2	4931621772	SCREW
0246	abc.....	5	4931365066	CUP SPRING	1206	abc.....	1	4931623885	SEAL RING
0248	abc.....	1	4931623199	WASHER	1207	abc.....	1	4931623700	SEAL RING
0249	abc.....	1	4931365136	SLEEVE	1208	abc.....	1	4931379289	SEAL
0253	abc.....	1	4931365034	SNAP DIE	1209	abc.....	1	4931360319	SEAL RING
0263	abc.....	1	4931343128	PRESSURE SPRING	1210	abc.....	1	4931920948	O-RING
0266	abc.....	1	4931911572	BALL	1211	abc.....	1	4931365032	SINTERED BEARING
0270	abc.....	1	4931343127	SUPPORT PLATE	1212	abc.....	4	4931623886	SCREW
0271	abc.....	1	4931343126	HOLDING RING	1213	abc.....	1	4931623833	SEAL RING
0406	ab.....	1	4931365911	ARMATURE	1214	abc.....	2	4931267225	SCREW
0406	..c.....	1	4931374198	ARMATURE	1215	abc.....	1	4931374073	SCREW

Repairs/modification and testing of electric power tools are to be carried out by specialists. The safety regulations according to DIN/VDE/CEE/AFNOR and other regulations valid in the different countries are to be observed.

A & M Electric Tools

Rotary Hammers

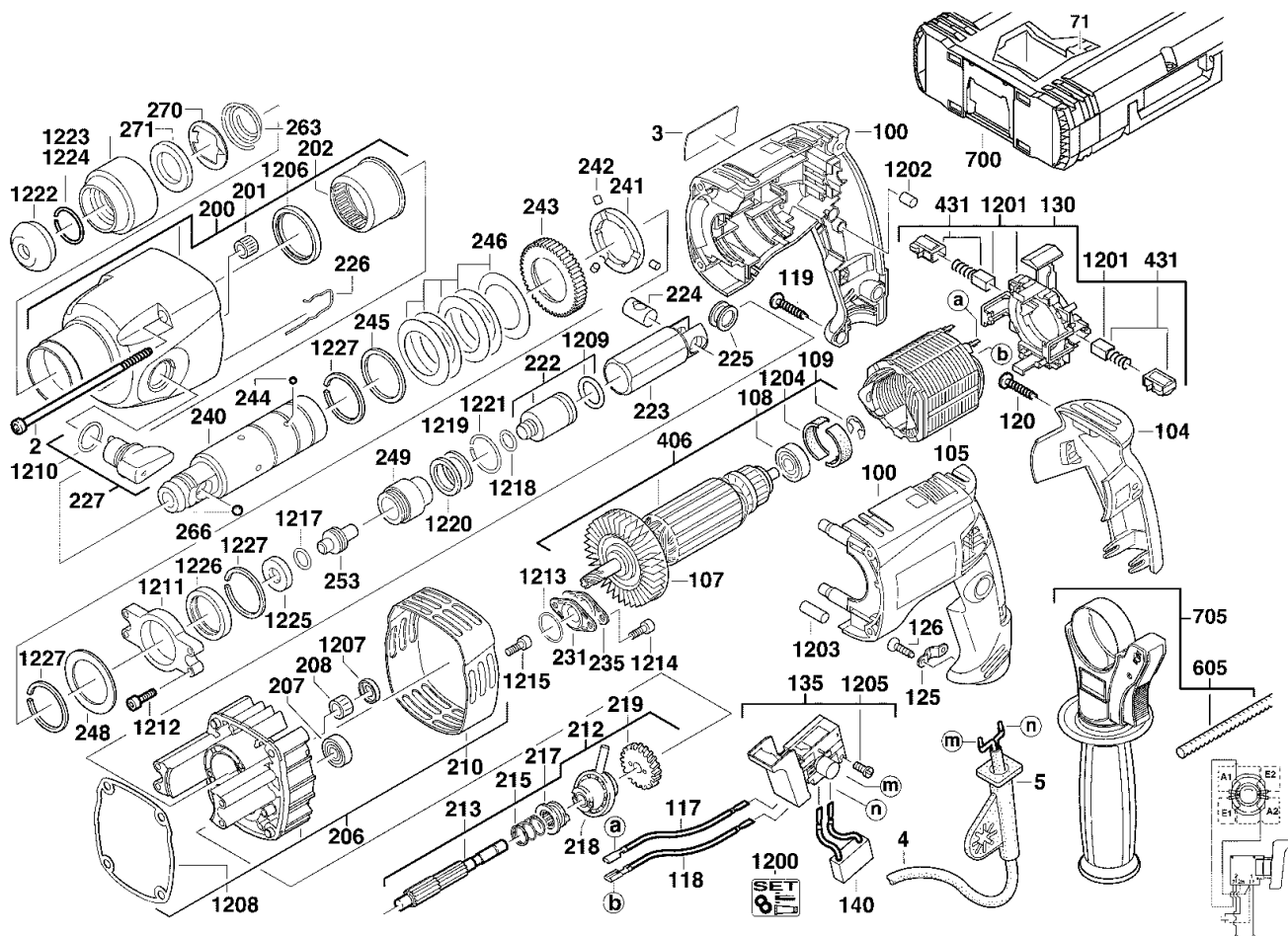
Milwaukee

PFH 242

Ind	Product No.	Type	Voltage	Country
a	4000384360	PFH242	220-240V	IN2
b	4000384366	PFH242	240V	GB2
c	4000384370	PFH242	110-120V	GB1

Ind Product No. Type Voltage Country

Exp.view No. Version Date Page
4926 3844 25 0004 19.02.07 3/3



Pos	Index	Quanti	Article No.	Designation
	1217 abc.....	1	4931623783	SEAL RING
	1218 abc.....	1	4931387348	O-RING
	1219 abc.....	1	4931622160	DISC
	1220 abc.....	1	4931943504	O-RING
	1221 abc.....	1	4931623860	SPRING RING
	1222 abc.....	1	4931343123	CAP
	1223 abc.....	1	4931365054	SLEEVE
	1224 abc.....	1	4931623220	SPRING RING
	1225 abc.....	1	4931374728	STOP WASHER
	1226 abc.....	1	4931365188	DAMPING RING
	1227 abc.....	3	4931945764	SPRING RING

Pos	Index	Quanti	Article No.	Designation
-----	-------	--------	-------------	-------------