

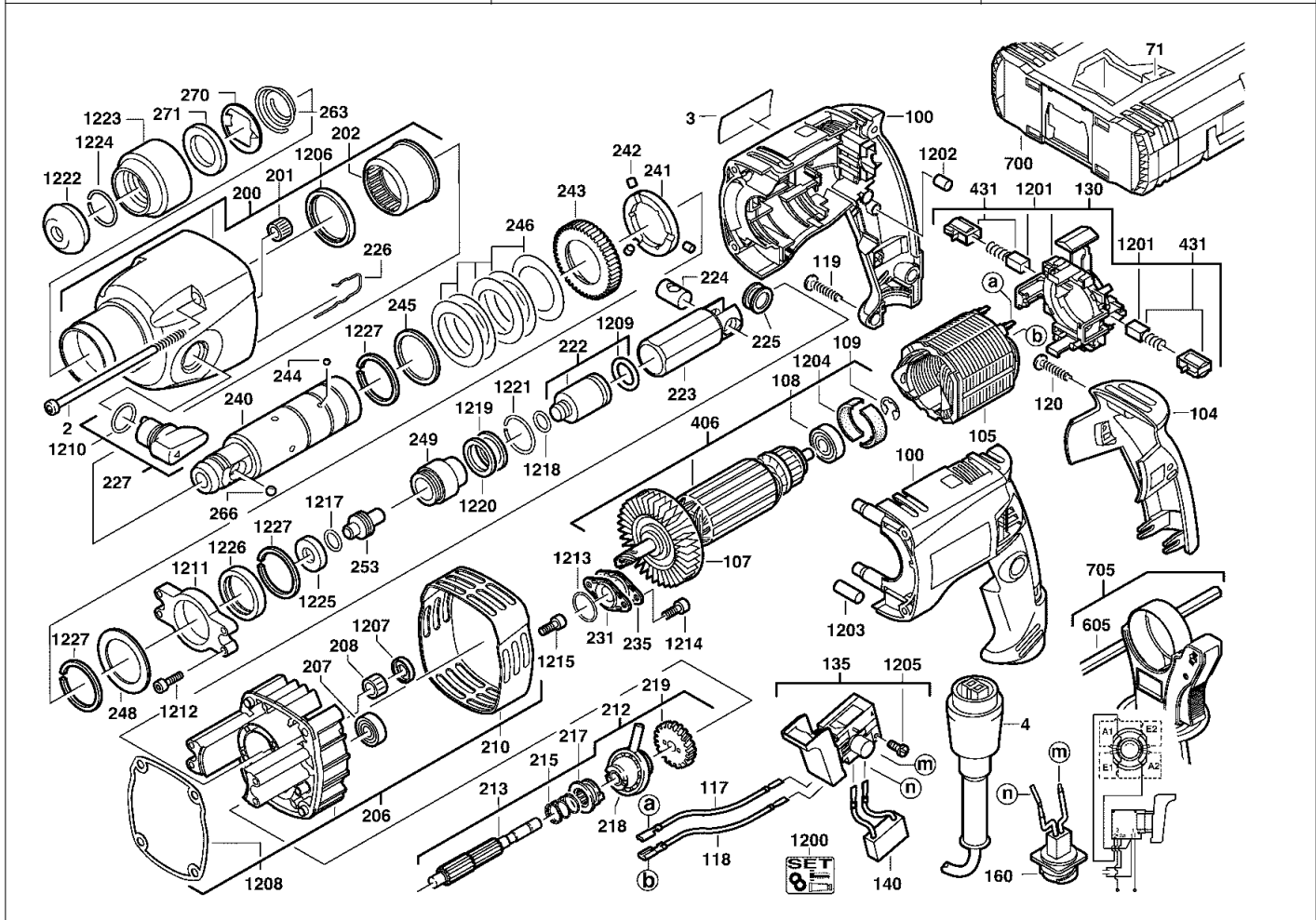
# A & M Electric Tools

# Rotary Hammers

Ind Product No.	Type	Voltage	Country
a 4000396211	PFH22QE	220-240V	IN2

Ind Product No.	Type	Voltage	Country

Milwaukee			
<b>PFH 22 QE</b>			
Exp.view No.	Version	Date	Page
4926 3962 12	0002	13.02.07	1/2



Pos	Index	Quanti	Article No.	Designation
0002	a.....	4	4931331734	SCREW
0003	a.....	1	4931396214	RATING PLATE
0004	a.....	1	4931624171	CONNECTION CABLE
0071	a.....	1	4931380081	INSERT
0100	a.....	1	4931374910	BODY
0104	a.....	1	4931374488	HANDLE COVER
0105	a.....	1	4931374623	ELECTRIC FIELD
0107	a.....	1	4931330633	FAN
0108	a.....	1	4931624169	BALL BEARING
0109	a.....	1	4931621834	WASHER
0117	a.....	1	4931253700	WIRE
0118	a.....	1	4931253700	WIRE
0119	a.....	5	4931618253	SCREW
0120	a.....	1	4931624517	SCREW
0130	a.....	1	4931374498	SET COLLAR
0135	a.....	1	4931382238	SWITCH BOARD
0140	a.....	1	4931311062	CAPACITOR
0160	a.....	1	4931364437	INSERT
0200	a.....	1	4931382316	GEAR BOX
0201	a.....	1	4931933756	NEEDLE BEARING
0202	a.....	1	4931365065	NEEDLE BUSH
0206	a.....	1	4931382969	BEARING END PLATE

Pos	Index	Quanti	Article No.	Designation
0207	a.....	1	4931623951	BALL BEARING
0208	a.....	1	4931219424	NEEDLE BEARING
0210	a.....	1	4931382970	INSUL.FOR END PLATE
0212	a.....	1	4931365015	REDUCTION GEAR
0213	a.....	1	4931365010	REDUCT. GEAR SHAFT
0215	a.....	1	4931365058	SPRING
0217	a.....	1	4931365012	COUPLING SLEEVE
0218	a.....	1	4931365013	WOBBLE DRIVE
0219	a.....	1	4931365014	REDUCTION GEAR
0222	a.....	1	4931365028	PERCUSSION BODY
0223	a.....	1	4931365029	CYLINDER
0224	a.....	1	4931365056	CYLINDRICAL BOLT
0225	a.....	2	4931365112	DISC
0226	a.....	1	4931365047	LOCKING WASHER
0227	a.....	1	4931374856	SWITCH HANDLE
0231	a.....	1	4931365051	BEARING COVER
0235	a.....	1	4931365135	SPECS
0240	a.....	1	4931374258	SPINDLE SLEEVE
0241	a.....	1	4931392751	CLUTCH DISC
0242	a.....	3	4931365057	CYLINDRICAL BOLT
0243	a.....	1	4931392489	SPINDLE GEAR
0244	a.....	3	4931944281	BALL

Repairs/modification and testing of electric power tools are to be carried out by specialists. The safety regulations according to DIN/VDE/CEE/AFNOR and other regulations valid in the different countries are to be observed.

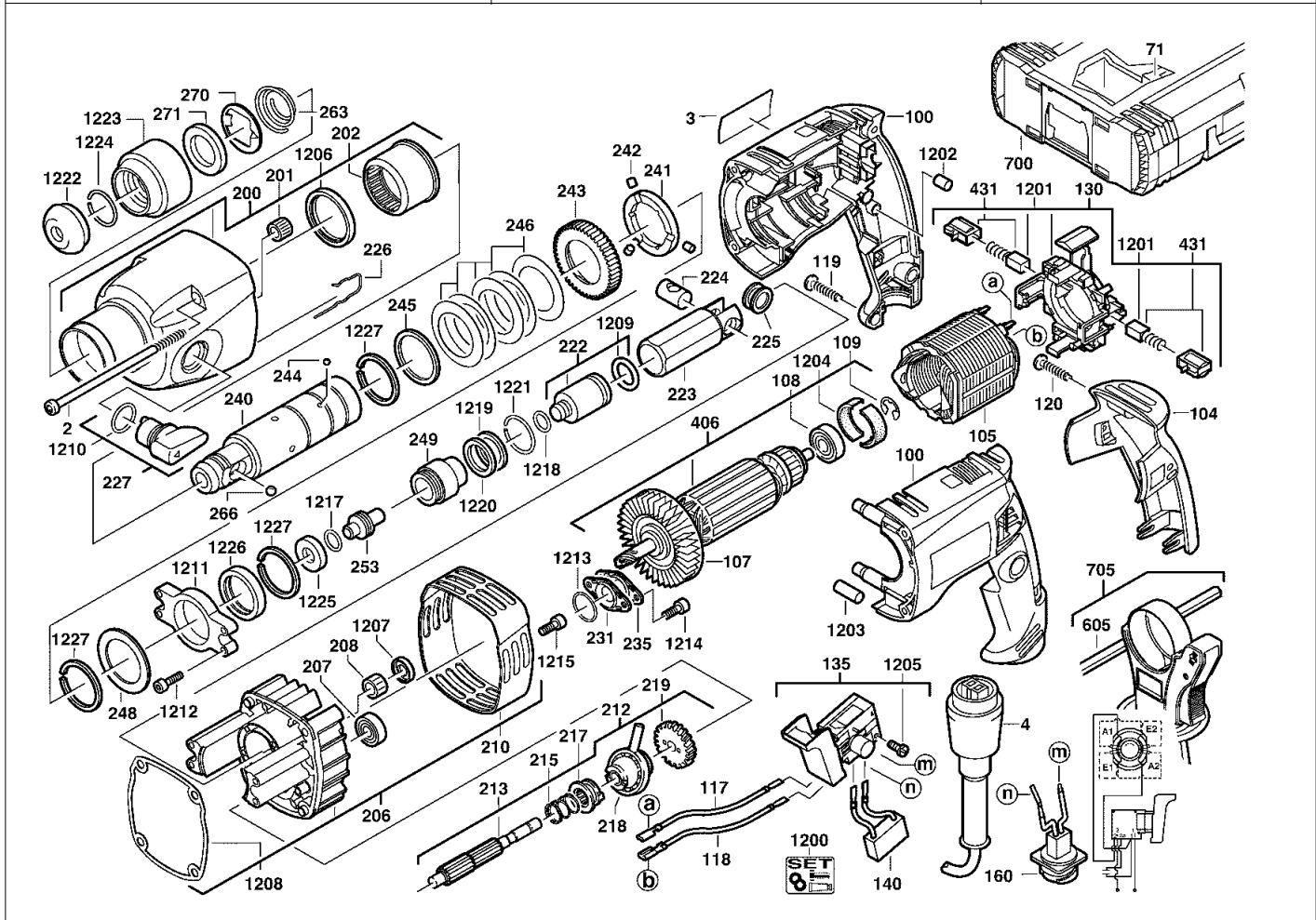
# A & M Electric Tools

# Rotary Hammers

Ind Product No.	Type	Voltage	Country
a 4000396211	PFH22QE	220-240V	IN2

Ind Product No.	Type	Voltage	Country

Milwaukee			
<b>PFH 22 QE</b>			
Exp.view No.	Version	Date	Page
4926 3962 12	0002	13.02.07	2/2



Pos	Index	Quanti	Article No.	Designation	Pos	Index	Quanti	Article No.	Designation
0245	a.....	1	4931623234	WASHER	1208	a.....	1	4931379289	SEAL
0246	a.....	5	4931365066	CUP SPRING	1209	a.....	1	4931360319	SEAL RING
0248	a.....	1	4931623199	WASHER	1210	a.....	1	4931920948	O-RING
0249	a.....	1	4931365136	SLEEVE	1211	a.....	1	4931365032	SINTERED BEARING
0253	a.....	1	4931365034	SNAP DIE	1212	a.....	4	4931623886	SCREW
0263	a.....	1	4931343128	PRESSURE SPRING	1213	a.....	1	4931623833	SEAL RING
0266	a.....	1	4931911572	BALL	1214	a.....	2	4931267225	SCREW
0270	a.....	1	4931343127	SUPPORT PLATE	1215	a.....	1	4931374073	SCREW
0271	a.....	1	4931343126	HOLDING RING	1217	a.....	1	4931623783	SEAL RING
0406	a.....	1	4931365911	ARMATURE	1218	a.....	1	4931387348	O-RING
0431	a.....	1	4931392563	CARBON BRUSH SET	1219	a.....	1	4931622160	DISC
0605	a.....	1	4931384434	DEPTH GAUGE	1220	a.....	1	4931943504	O-RING
0700	a.....	1	4932378986	CARRYING CASE	1221	a.....	1	4931623860	SPRING RING
0705	a.....	1	4931384886	HANDLE	1222	a.....	1	4931343123	CAP
1200	a.....	1	4931365910	MAINTENANCE SET	1223	a.....	1	4931365054	SLEEVE
1201	a.....	1	4931392604	CARBON BRUSH SET	1224	a.....	1	4931623220	SPRING RING
1202	a.....	1	4931271824	HOLDING-DOWN DEVICE	1225	a.....	1	4931374728	STOP WASHER
1203	a.....	1	4931307423	HOLDING-DOWN DEVICE	1226	a.....	1	4931365188	DAMPING RING
1204	a.....	1	4931392373	RUBBER SPRING	1227	a.....	3	4931945764	SPRING RING
1205	a.....	2	4931621772	SCREW					
1206	a.....	1	4931623885	SEAL RING					
1207	a.....	1	4931623700	SEAL RING					

Repairs/modification and testing of electric power tools are to be carried out by specialists. The safety regulations according to DIN/VDE/CEE/AFNOR and other regulations valid in the different countries are to be observed.