

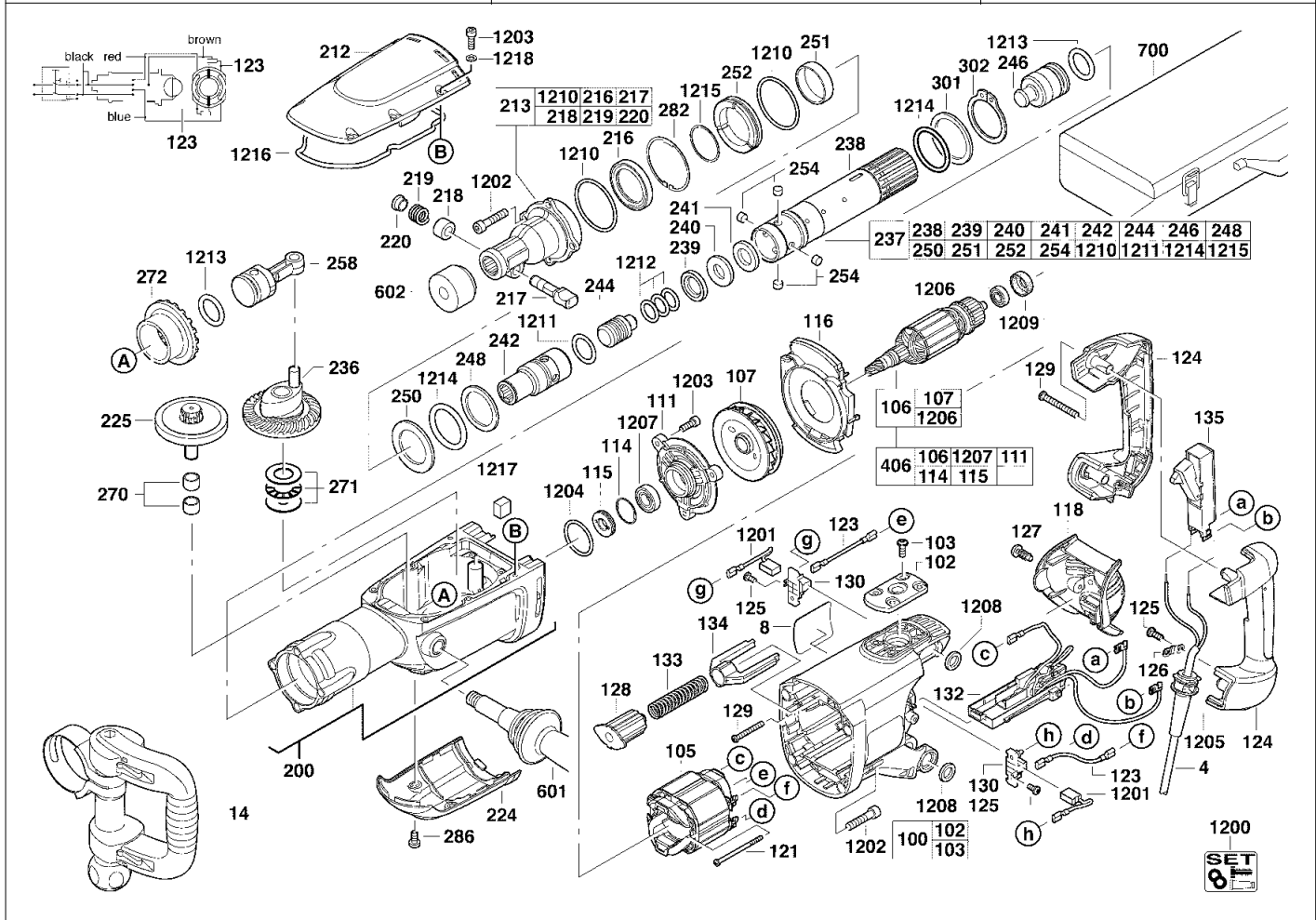
A & M Electric Tools

Rotary Hammers

Ind	Product No.	Type	Voltage	Country
a	4000375808	950K	220-240V	IN2
b	4000375814	900K	220-240V	IN2
c	4000375810	950K	110V	GB1
d	4000375816	900K	110V	GB1
e	4000375818	900K	220-240V	AUS
f	4000375812	950K	220-240V	AUS
g	4000405359	950K	220-240V	I
h	4000375814	900K	220-240V	IN2

Ind	Product No.	Type	Voltage	Country
-----	-------------	------	---------	---------

Milwaukee				
950 K				
900 K				
Exp.view No.	Version	Date	Page	
4926 3758 24	0004	30.10.07	1/3	



Pos	Index	Quanti	Article No.	Designation
0004	ab...gh	1	4931624585	CONNECTION CABLE
0004	..cd	1	4931624590	CONNECTION CABLE
0004	...ef	1	4931624589	CONNECTION CABLE
0008	a	1	4931375809	RATING PLATE
0008	.b...h	1	4931375815	RATING PLATE
0008	..c	1	4931375811	RATING PLATE
0008	...d	1	4931375817	RATING PLATE
0008	...e	1	4931405521	RATING PLATE
0008	...f	1	4931405519	RATING PLATE
0008	...g	1	4931405364	RATING PLATE
0014	abcdefgh	1	4931375519	HANDLE
0100	a.c..fg	1	4931375647	MOTOR HOUSING
0100	.b.de.h	1	4931375548	MOTOR HOUSING
0102	abcdefgh	1	4931375531	SECURED WASHER
0103	abcdefgh	4	4931624213	SCREW
0105	ab..efgh	1	4931375557	ELECTRIC FIELD
0105	..cd	1	4931375669	ELECTRIC FIELD
0106	ab..efgh	1	4931375835	ARMATURE
0106	..cd	1	4931375836	ARMATURE
0107	abcdefgh	1	4931375474	FAN
0111	abcdefgh	1	4931375488	BEARING END PLATE
0114	abcdefgh	1	4931890311	LOCKING RING

Pos	Index	Quanti	Article No.	Designation
0115	abcdefgh	1	4931375489	SEAL RING
0116	abcdefgh	1	4931375515	AIR DEFLECTOR RING
0118	abcdefgh	1	4931375535	SERVICING LID
0121	abcdefgh	2	4931339996	SCREW
0123	abcdefgh	2	4931624263	WIRE
0124	abcdefgh	1	4931375560	PAIR HANDLE SHELLS
0125	abcdefgh	4	4931624538	SCREW
0126	abcdefgh	1	4931256500	CABLE COLLAR
0127	abcdefgh	2	4931624537	SCREW
0128	abcdefgh	1	4931375477	THRUST PIECE
0129	abcdefgh	5	4931622765	SCREW
0130	abcdefgh	2	4931329079	BRUSH HOLDER
0132	ab..efgh	1	4931375482	ELECTRONIC
0132	..cd	1	4931375483	ELECTRONIC
0133	abcdefgh	1	4931375529	PRESSURE SPRING
0134	abcdefgh	1	4931375530	TRANSITION PIECE
0135	abcdef.h	1	4931375454	SWITCH
0135	...g	1	4931375458	SWITCH
0200	a.c..fg	1	4931375625	GEAR BOX
0200	.b.de.h	1	4931375570	GEAR BOX
0212	abcdefgh	1	4931375563	GEAR BOX COVER
0213	abcdefgh	1	4931375510	TOOL ACCEPTANCE

Repairs/modification and testing of electric power tools are to be carried out by specialists. The safety regulations according to DIN/VDE/CEE/AFNOR and other regulations valid in the different countries are to be observed.

A & M Electric Tools

Ind	Product No.	Type	Voltage	Country
a	4000375808	950K	220-240V	IN2
b	4000375814	900K	220-240V	IN2
c	4000375810	950K	110V	GB1
d	4000375816	900K	110V	GB1
e	4000375818	900K	220-240V	AUS
f	4000375812	950K	220-240V	AUS
g	4000405359	950K	220-240V	I
h	4000375814	900K	220-240V	IN2

Rotary Hammers

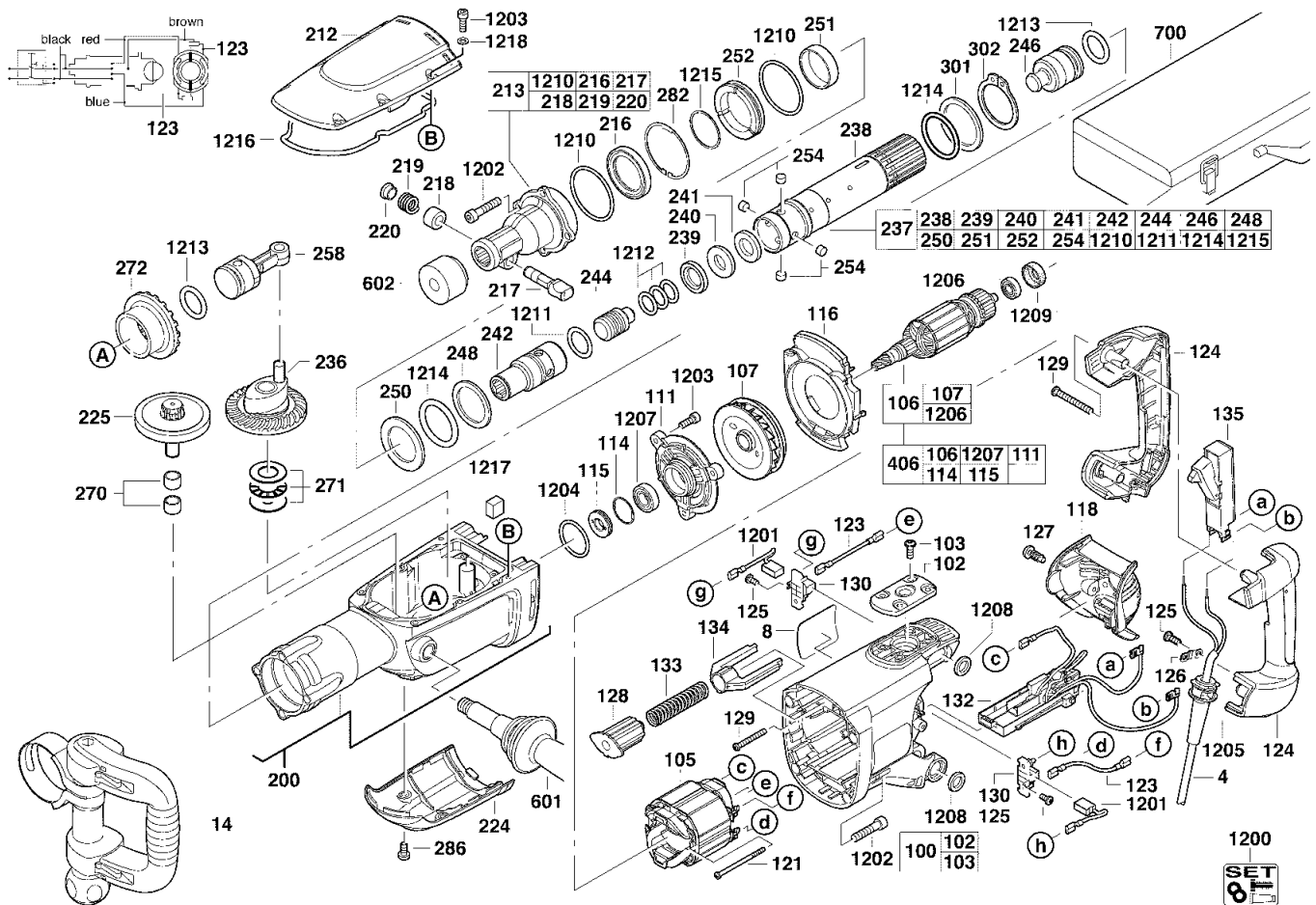
Milwaukee

950 K

900 K

Exp.view No. Version Date Page

4926 3758 24 0004 30.10.07 2/3



Pos	Index	Quanti	Article No.	Designation	Pos	Index	Quanti	Article No.	Designation
0216	abcdefgh.....	1	4931624205	SEAL RING	0254	abcdefgh.....	4	4931375787	DRIVER
0217	abcdefgh.....	1	4931384430	LATCH BAR	0258	abcdefgh.....	1	4931375380	PISTON COMPL.
0218	abcdefgh.....	1	4931379061	SLEEVE	0270	a.c.fg.....	2	4931621847	NEEDLE BEARING
0219	abcdefgh.....	1	9170032330	SPRING	0271	abcdefgh.....	1	4931375400	THRUST BEARING
0220	abcdefgh.....	1	4931379039	LATCH	0272	a.c.fg.....	1	4931375437	SPINDLE BEVEL GEAR
0224	abcdefgh.....	1	4931375574	GEAR COVER	0282	abcdefgh.....	1	4931624235	RETAINING RING
0225	a.c.fg.....	1	4931375838	COUPLING	0286	abcdefgh.....	2	4931624236	SCREW
0236	abcdefgh.....	1	4931375379	CRANK WHEEL	0301	.b.de.h.....	1	4931375509	ATTACHMENT RING
0237	a.c.fg.....	1	4931375803	SPINDLE	0302	.b.de.h.....	1	4931624203	RETAINING RING
0237	.b.de.h.....	1	4931375802	SPINDLE	0406	ab.efgh.....	1	4931375526	ARMATURE
0238	abcdefgh.....	1	4931375776	SPINDLE SLEEVE	0406	.cd.....	1	4931375568	ARMATURE
0239	abcdefgh.....	1	4931375411	THRUST COLLAR	0601	abcdefgh.....	1	4931375516	HANDLE
0240	abcdefgh.....	1	4931375412	BACK-PRESSURE RING	0602	abcdefgh.....	1	9170086960	DUST GUARD CAP
0241	abcdefgh.....	1	4931375777	ATTACHMENT RING	0700	abcdefgh.....	1	4931375502	CARRYING CASE
0242	a.c.fg.....	1	4931375425	DRIVER	0700h.....	1	4931400760	CARRYING CASE
0242	.b.de.h.....	1	4931375433	SLEEVE	1200	abcdefgh.....	1	4931375659	MAINTENANCE SET
0244	abcdefgh.....	1	4931375448	SNAP DIE	1201	abcdefgh.....	1	4931375556	CARBON BRUSH SET
0246	abcdefgh.....	1	4931375782	PERCUSSION BODY	1202	abcdefgh.....	8	4931624234	SCREW
0248	abcdefgh.....	1	4931375416	ATTACHMENT RING	1203	abcdefgh.....	9	4931624276	SCREW
0250	abcdefgh.....	1	4931375418	WASHER	1204	abcdefgh.....	1	4931624237	SEAL RING
0251	abcdefgh.....	1	4931375419	BALL RACE	1205	abcdefgh.....	1	4931392174	PROTECTING COVER
0252	abcdefgh.....	1	4931375420	THRUST COLLAR	1206	abcdefgh.....	1	4931341741	BALL BEARING

Repairs/modification and testing of electric power tools are to be carried out by specialists. The safety regulations according to DIN/VDE/CEE/AFNOR and other regulations valid in the different countries are to be observed.

