

A & M Electric Tools

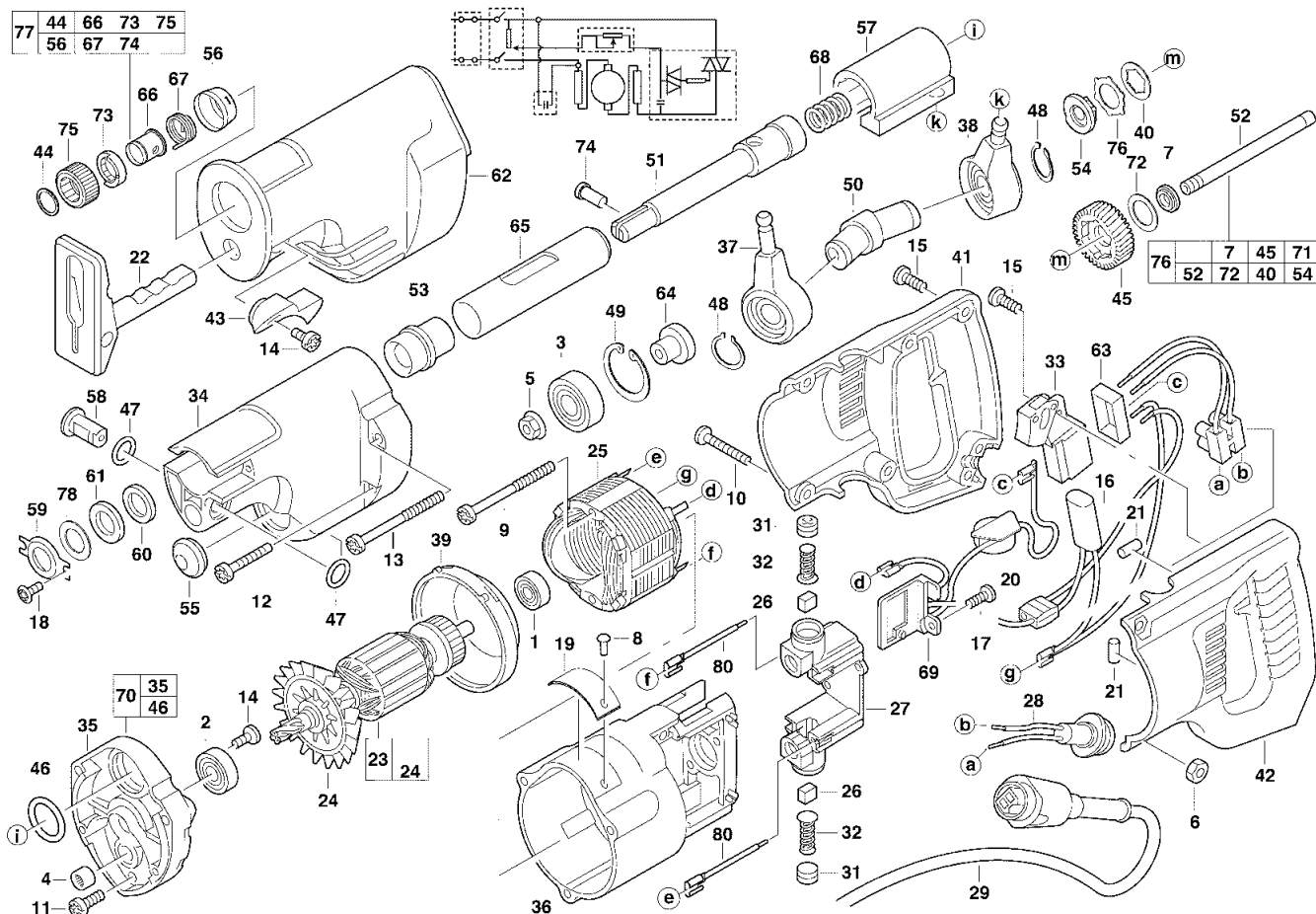
Ind	Product No.	Type	Voltage	Country
a	4000393707	SSE1000QX	220-240V	IN2
b	4000393707	SSE1000QX	220-240V	IN2
c	4000393707	SSE1000QX	220-240V	IN2
d	4000393707	SSE1000QX	220-240V	IN2

Sabre Saws

Milwaukee

SSE 1000 QX

Exp.view No. Version Date Page
4926 3937 08 0001 08.03.06 1/2



Pos	Index	Quanti	Article No.	Designation	Pos	Index	Quanti	Article No.	Designation
0001	abcd.....	1	02040845	BALL BEARING	0023	abcd.....	1	16341451	ARMATURE
0002	abcd.....	1	02040911	BALL BEARING	0024	abcd.....	1	22840531	FAN
0003	abcd.....	1	02041510	BALL BEARING	0025	abcd.....	1	18320240	ELECTRIC FIELD
0004	abcd.....	1	02502150	NEEDLE BEARING	0026	abcd.....	2	22160375	CARBON BRUSH
0005	abcd.....	1	06553790	NUT	0027	abcd.....	1	4931354969	SERVICE KIT
0006	abcd.....	2	06550835	NUT	0028	abcd.....	1	22560692	HOUSING
0007	abcd.....	1	45881555	WASHER	0029 a.....	1	4931624171	CONNECTION CABLE	
0008	abcd.....	2	06721720	RIVET	0029 b.....	1	4931624342	CONNECTION CABLE	
0009	abcd.....	2	06827410	SCREW	0029 c.....	1	4931624184	CONNECTION CABLE	
0010	abcd.....	2	06822390	SCREW	0029 d.....	1	4931624181	CONNECTION CABLE	
0011	abcd.....	1	05888307	SCREW	0031	abcd.....	2	23440190	BRUSH COVER
0012	abcd.....	2	06825390	SCREW	0032	abcd.....	2	23520160	PRESSURE SPRING
0013	abcd.....	2	05880302	SCREW	0033 a.c.....	1	23661979	SWITCH	
0014	abcd.....	3	06827252	SCREW	0033 b.....	1	4931393091	MODIFICATION SET	
0015	abcd.....	6	06827270	SCREW	0033 d.....	1	23661979	SWITCH	
0016	abcd.....	1	14200580	CAPACITOR	0034	abcd.....	1	28142176	BODY
0017	abcd.....	2	06827240	SCREW	0035	abcd.....	1	28281876	DIAPHRAGM
0018	abcd.....	2	06950075	SCREW	0036	abcd.....	1	31500020	HOUSING MOTOR SIDE
0019	abcd.....	1	12992085	NAME PLATE	0037	abcd.....	1	14670135	WOBBLE DRIVE
0020	abcd.....	1	14203030	REMOTE TSC CONTRO	0038	abcd.....	1	14670125	WOBBLE PLATE
0021	abcd.....	3	14461001	HOLDING-DOWN DEVIC	0039	abcd.....	1	31050055	AIR DEFLECTOR RING
0022	abcd.....	1	14740270	HOLDER	0040	abcd.....	1	43060685	DISC

Repairs/modification and testing of electric power tools are to be carried out by specialists. The safety regulations according to DIN/VDE/CEE/AFNOR and other regulations valid in the different countries are to be observed.

A & M Electric Tools

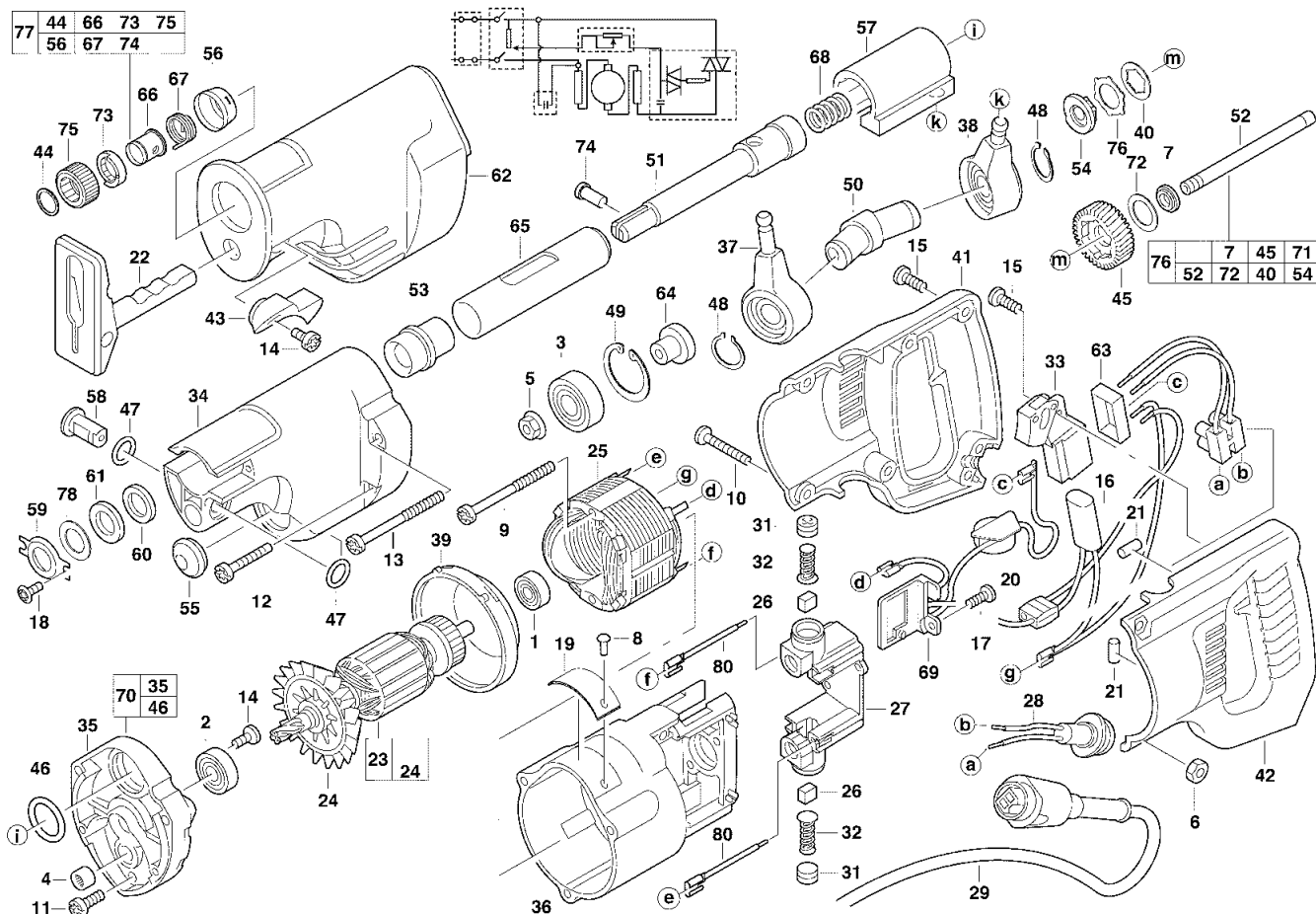
Ind	Product No.	Type	Voltage	Country
a	4000393707	SSE1000QX	220-240V	IN2
b	4000393707	SSE1000QX	220-240V	IN2
c	4000393707	SSE1000QX	220-240V	IN2
d	4000393707	SSE1000QX	220-240V	IN2

Sabre Saws

Milwaukee

SSE 1000 QX

Exp.view No. Version Date Page
4926 3937 08 0001 08.03.06 2/2



Pos	Index	Quanti	Article No.	Designation	Pos	Index	Quanti	Article No.	Designation
0041	abcd.....	1	31441661	RIGHT HANDLE HALF	0062	abcd.....	1	45120462	GEAR BOX INSULATIO
0042	a.cd.....	1	31441666	HANDLE LEFT	0063	abcd.....	1	45120470	GUARD
0042	.b.....	1	4931393091	MODIFICATION SET	0064	abcd.....	1	45361450	SPACER
0043	abcd.....	1	31520010	RELEASE LEVER	0065	abcd.....	1	45760320	TUBE
0044	abcd.....	1	34603680	RING	0066	abcd.....	1	45220081	CLAMPING RING
0045	abcd.....	1	32402095	GEAR	0067	abcd.....	1	40500161	SPRING
0046	abcd.....	1	34401280	O-RING	0068	abcd.....	1	40500165	PRESSURE SPRING
0047	abcd.....	2	34404200	O-RING	0069	abcd.....	1	43720176	HOLDING DEVICE
0048	abcd.....	2	34601315	RING	0070	abcd.....	1	28282000	DIAPHRAGM
0049	abcd.....	1	34802600	RING	0071	abcd.....	1	43060676	PLATE
0050	abcd.....	1	36920701	SHAFT	0072	abcd.....	1	40508850	PRESSURE SPRING
0051	abcd.....	1	38505835	SPINDLE	0073	abcd.....	1	42500077	CLAMPING RING
0052	abcd.....	1	42120150	SHAFT	0074	abcd.....	1	44600626	PIN
0053	abcd.....	1	42240430	BEARING	0075	abcd.....	1	42500076	CLAMPING RING
0054	abcd.....	1	43780525	HUB	0076	abcd.....	1	32402101	GEARWHEEL SET
0055	abcd.....	1	42520380	BEARING COVER	0077	abcd.....	1	14461011	FIXTEC-SET
0056	abcd.....	1	31150511	CLAMPING RING	0078	abcd.....	1	45888577	WASHER
0057	abcd.....	1	42870090	BALANCER	0080	abcd.....	2	23946370	WIRE
0058	abcd.....	1	44601200	PIN					
0059	abcd.....	1	44860375	RETAINER					
0060	abcd.....	1	45060475	SEAL RING					
0061	abcd.....	1	45060501	FELT PACKING					

Repairs/modification and testing of electric power tools are to be carried out by specialists. The safety regulations according to DIN/VDE/CEE/AFNOR and other regulations valid in the different countries are to be observed.