

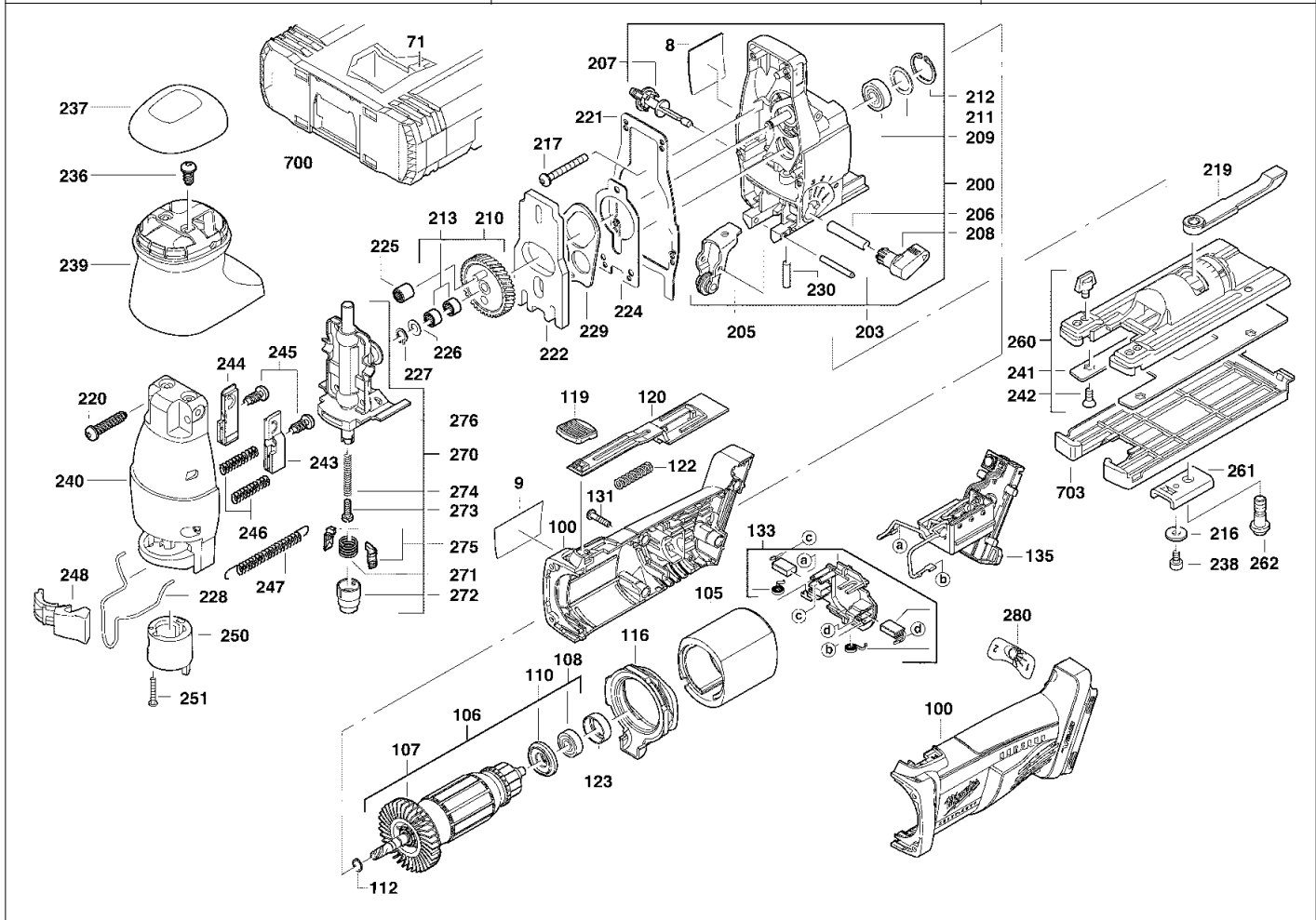
A & M Electric Tools

Battery Tools

| | | | |
|-----------------|--------|---------|---------|
| Ind Product No. | Type | Voltage | Country |
| a 4000401771 | V28JSB | 28V | *** |

| | | | |
|-----------------|------|---------|---------|
| Ind Product No. | Type | Voltage | Country |
| | | | |

| | | | |
|-----------------|---------|----------|------|
| Milwaukee | | | |
| V 28 JSB | | | |
| Exp.view No. | Version | Date | Page |
| 4926 4017 76 | 0001 | 24.04.08 | 1/2 |



| Pos | Index | Quanti | Article No. | Designation |
|------|--------|--------|-------------|--------------------|
| 0008 | a..... | 1 | 4931401781 | SAW TABLE |
| 0009 | a..... | 1 | 4931401780 | RATING PLATE |
| 0071 | a..... | 1 | 4931401774 | INSERT |
| 0100 | a..... | 1 | 4931407225 | HOUSING |
| 0105 | a..... | 1 | 4931392390 | HOUSING |
| 0106 | a..... | 1 | 4931401750 | ARMATURE |
| 0107 | a..... | 1 | 4931342793 | FAN |
| 0108 | a..... | 1 | 4931623951 | BALL BEARING |
| 0110 | a..... | 1 | 4931392383 | INSULATING DISC |
| 0112 | a..... | 1 | 4931605103 | RING |
| 0116 | a..... | 1 | 4931401754 | AIR DEFLECTOR RING |
| 0119 | a..... | 1 | 4931401676 | SLIDER |
| 0120 | a..... | 1 | 4931401755 | SWITCH LEVER |
| 0122 | a..... | 1 | 4931327696 | PRESSURE SPRING |
| 0123 | a..... | 1 | 4931351729 | RUBBER SLEEVE |
| 0131 | a..... | 4 | 4931624515 | SCREW |
| 0133 | a..... | 1 | 4931401672 | BRUSH HOLDER |
| 0135 | a..... | 1 | 4931401758 | ELECTRONIC |
| 0200 | a..... | 1 | 4931401779 | GEAR BOX |
| 0203 | a..... | 1 | 4931621942 | PIN |
| 0205 | a..... | 1 | 4931330051 | HOLDER |
| 0206 | a..... | 1 | 4931381103 | INDEXING BOLT |

| Pos | Index | Quanti | Article No. | Designation |
|------|--------|--------|-------------|----------------|
| 0207 | a..... | 1 | 4931381156 | SWITCH |
| 0208 | a..... | 1 | 4931378812 | SWITCH HANDLE |
| 0209 | a..... | 1 | 4931621829 | BALL BEARING |
| 0210 | a..... | 1 | 4931401766 | GEAR |
| 0211 | a..... | 1 | 4931803914 | SEALING WASHER |
| 0212 | a..... | 1 | 4931613683 | LOCKING RING |
| 0213 | a..... | 2 | 4931219422 | NEEDLE BEARING |
| 0216 | a..... | 1 | 4931622131 | DISC |
| 0217 | a..... | 4 | 4931621515 | SCREW |
| 0219 | a..... | 1 | 4931381155 | TENSION LEVER |
| 0220 | a..... | 4 | 4931623020 | SCREW |
| 0221 | a..... | 1 | 4931381656 | SEAL |
| 0222 | a..... | 1 | 4931381109 | BALANCE WEIGHT |
| 0224 | a..... | 1 | 4931357577 | SHIM |
| 0225 | a..... | 1 | 4931361376 | NEEDLE BUSH |
| 0226 | a..... | 1 | 4931621830 | DISC |
| 0227 | a..... | 1 | 4931605092 | RING |
| 0228 | a..... | 1 | 4931357982 | WIRE STRAP |
| 0229 | a..... | 1 | 4931357522 | ROCKER BAR |
| 0230 | a..... | 1 | 4931381112 | CYLINDER PIN |
| 0236 | a..... | 2 | 4931623048 | SCREW |
| 0237 | a..... | 1 | 4931330272 | BALL LID |

Repairs/modification and testing of electric power tools are to be carried out by specialists. The safety regulations according to DIN/VDE/CEE/AFNOR and other regulations valid in the different countries are to be observed.

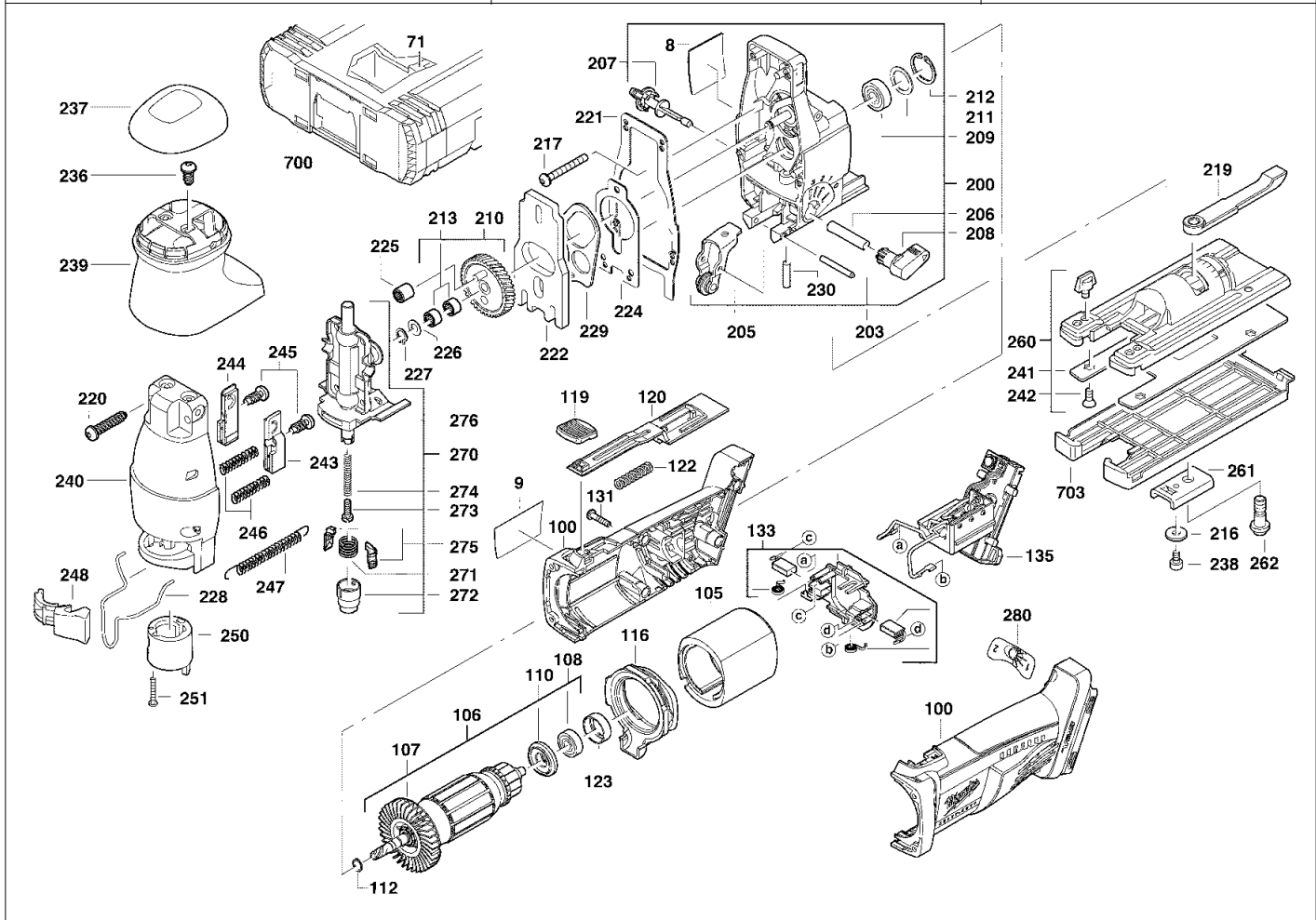
A & M Electric Tools

Battery Tools

| Ind | Product No. | Type | Voltage | Country |
|-----|-------------|--------|---------|---------|
| a | 4000401771 | V28JSB | 28V | *** |

| Ind | Product No. | Type | Voltage | Country |
|-----|-------------|------|---------|---------|
| | | | | |

| Milwaukee | | | | |
|--------------|---------|----------|------|--|
| V 28 JSB | | | | |
| Exp.view No. | Version | Date | Page | |
| 4926 4017 76 | 0001 | 24.04.08 | 2/2 | |



| Pos | Index | Quanti | Article No. | Designation |
|------|--------|--------|-------------|-----------------|
| 0238 | a..... | 1 | 4931300699 | SCREW |
| 0239 | a..... | 1 | 4931330271 | KNOB HANDLE |
| 0240 | a..... | 1 | 4931381183 | GEAR BOX COVER |
| 0241 | a..... | 1 | 4931357605 | SLIDE PLATE |
| 0242 | a..... | 4 | 4931310396 | SCREW |
| 0243 | a..... | 1 | 4931357986 | SLIDE BEARING |
| 0244 | a..... | 1 | 4931357985 | SLIDE BEARING |
| 0245 | a..... | 2 | 4931317532 | SCREW |
| 0246 | a..... | 2 | 4931341759 | PRESSURE SPRING |
| 0247 | a..... | 1 | 4931330453 | TENSION SPRING |
| 0248 | a..... | 1 | 4931381159 | SWITCH LEVER |
| 0250 | a..... | 1 | 4931381158 | INDEXING SLEEVE |
| 0251 | a..... | 1 | 4931624172 | SCREW |
| 0260 | a..... | 1 | 4931381623 | GROUND PLATE |
| 0261 | a..... | 1 | 4931357588 | THRUST PIECE |
| 0262 | a..... | 1 | 4931381124 | SCREW |
| 0270 | a..... | 1 | 4931357693 | RAM |
| 0271 | a..... | 1 | 4931330424 | TORSION SPRING |
| 0272 | a..... | 1 | 4931330494 | COLLET |
| 0273 | a..... | 1 | 4931623102 | SCREW |
| 0274 | a..... | 1 | 4931357686 | PRESSURE SPRING |
| 0275 | a..... | 2 | 4931330303 | CENTERING JAW |

| Pos | Index | Quanti | Article No. | Designation |
|------|--------|--------|-------------|----------------|
| 0276 | a..... | 1 | 4931623091 | SEAL RING |
| 0280 | a..... | 1 | 4931401761 | ADHESIVE LABEL |
| 0700 | a..... | 1 | 4932378986 | CARRYING CASE |
| 0703 | a..... | 1 | 4932357881 | GUIDE SHOE |

Repairs/modification and and testing of electric power tools are to be carried out by specialists. The safety regulations according to DIN/VDE/CEE/AFNOR and other regulations valid in the different countries are to be observed.