

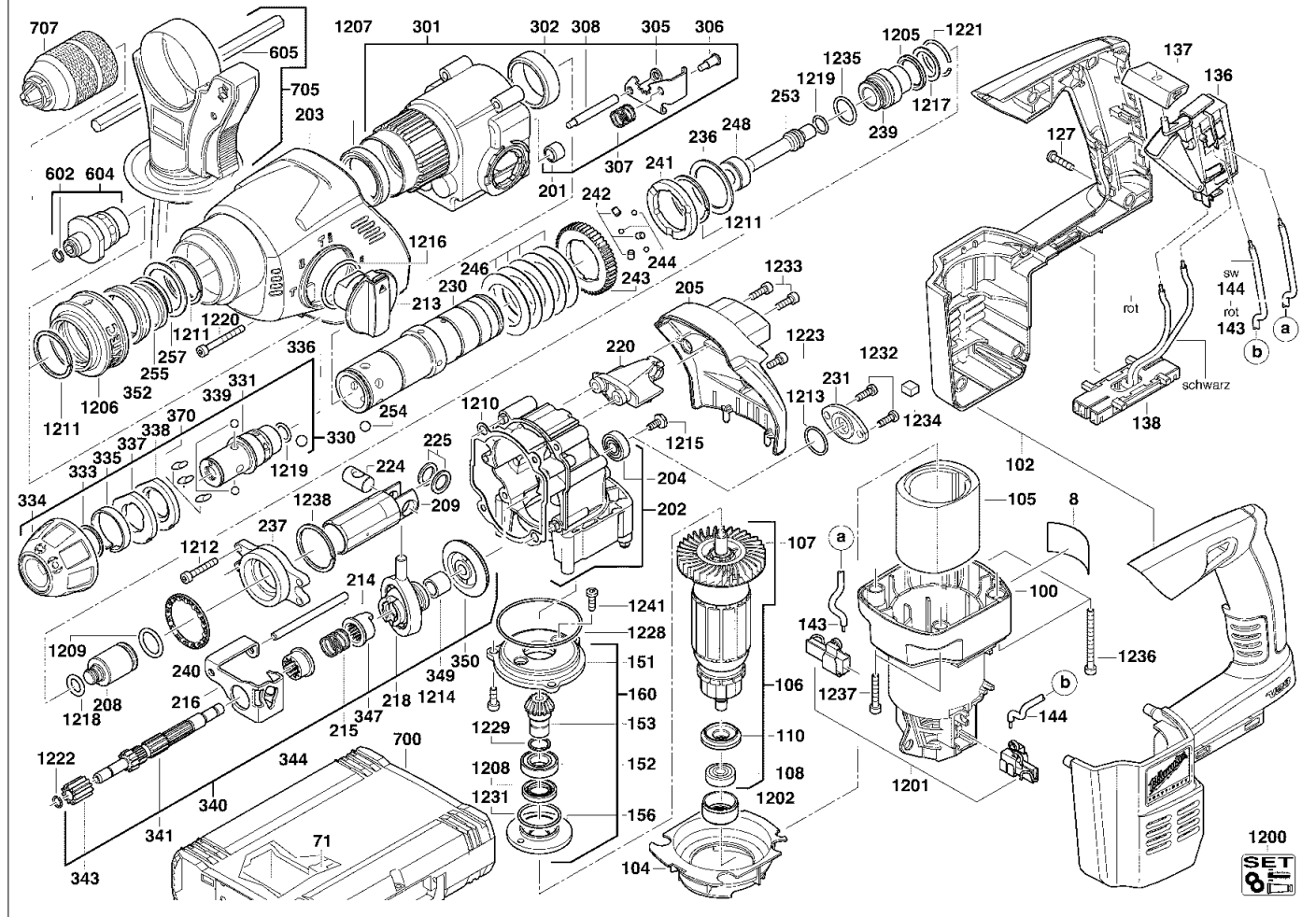
# A & M Electric Tools

# Rotary Hammers

Ind Product No.	Type	Voltage	Country
a 4000400885	V28HX	28V	IN2

Ind Product No.	Type	Voltage	Country

Milwaukee			
<b>V 28 HX</b>			
Exp.view No.	Version	Date	Page
4926 4008 86	0002	20.11.07	1/3



Pos	Index	Quanti	Article No.	Designation	Pos	Index	Quanti	Article No.	Designation
0008	a.....	1	4931400889	RATING PLATE	0202	a.....	1	4931400877	GEAR BOX
0071	a.....	1	4931392424	INSERT	0203	a.....	1	4931392716	GEAR BOX INSULATIO
0100	a.....	1	4931392710	MOTOR HOUSING	0204	a.....	1	4931623951	BALL BEARING
0102	a.....	1	4931400409	HANDLE COMPL.	0205	a.....	1	4931392717	GEAR COVER
0104	a.....	1	4931392727	AIR DEFLECTOR RING	0208	a.....	1	4931392376	PERCUSSION BODY
0105	a.....	1	4931392390	HOUSING	0209	a.....	1	4931392472	CYLINDER
0106	a.....	1	4931392380	ARMATURE	0213	a.....	1	4931384621	SWITCH HANDLE
0107	a.....	1	4931342793	FAN	0214	a.....	1	4931624279	CYLINDER PIN
0108	a.....	1	4931623951	BALL BEARING	0215	a.....	1	4931365058	SPRING
0110	a.....	1	4931392383	INSULATING DISC	0216	a.....	1	4931384617	SLIDING SWITCH
0127	a.....	7	4931624515	SCREW	0218	a.....	1	4931365013	WOBBLE DRIVE
0136	a.....	1	4931400353	SWITCH BOARD	0220	a.....	1	4931392728	HOLDING DEVICE
0137	a.....	1	4931392715	LEVER	0224	a.....	1	4931365056	CYLINDRICAL BOLT
0138	a.....	1	4931396430	WIRE	0225	a.....	2	4931365112	DISC
0143	a.....	1	4931624571	WIRE	0230	a.....	1	4931392735	SPINDEL GEAR SLEEV
0144	a.....	1	4931624572	WIRE	0231	a.....	1	4931392461	BEARING COVER
0151	a.....	1	4931384626	BEARING END PLATE	0236	a.....	1	4931624426	WASHER
0152	a.....	1	4931624278	BALL BEARING	0237	a.....	1	4931392737	ENDPLATE
0153	a.....	1	4931375892	PINION	0239	a.....	1	4931384608	SLEEVE
0156	a.....	1	4931392742	BEARING COVER	0240	a.....	1	4931392736	SPINDLE BEARING
0160	a.....	1	4931400875	BEARING END PLATE	0241	a.....	1	4931392751	CLUTCH DISC
0201	a.....	1	4931933756	NEEDLE BEARING	0242	a.....	3	4931365057	CYLINDRICAL BOLT

Repairs/modification and testing of electric power tools are to be carried out by specialists. The safety regulations according to DIN/VDE/CEE/AFNOR and other regulations valid in the different countries are to be observed.

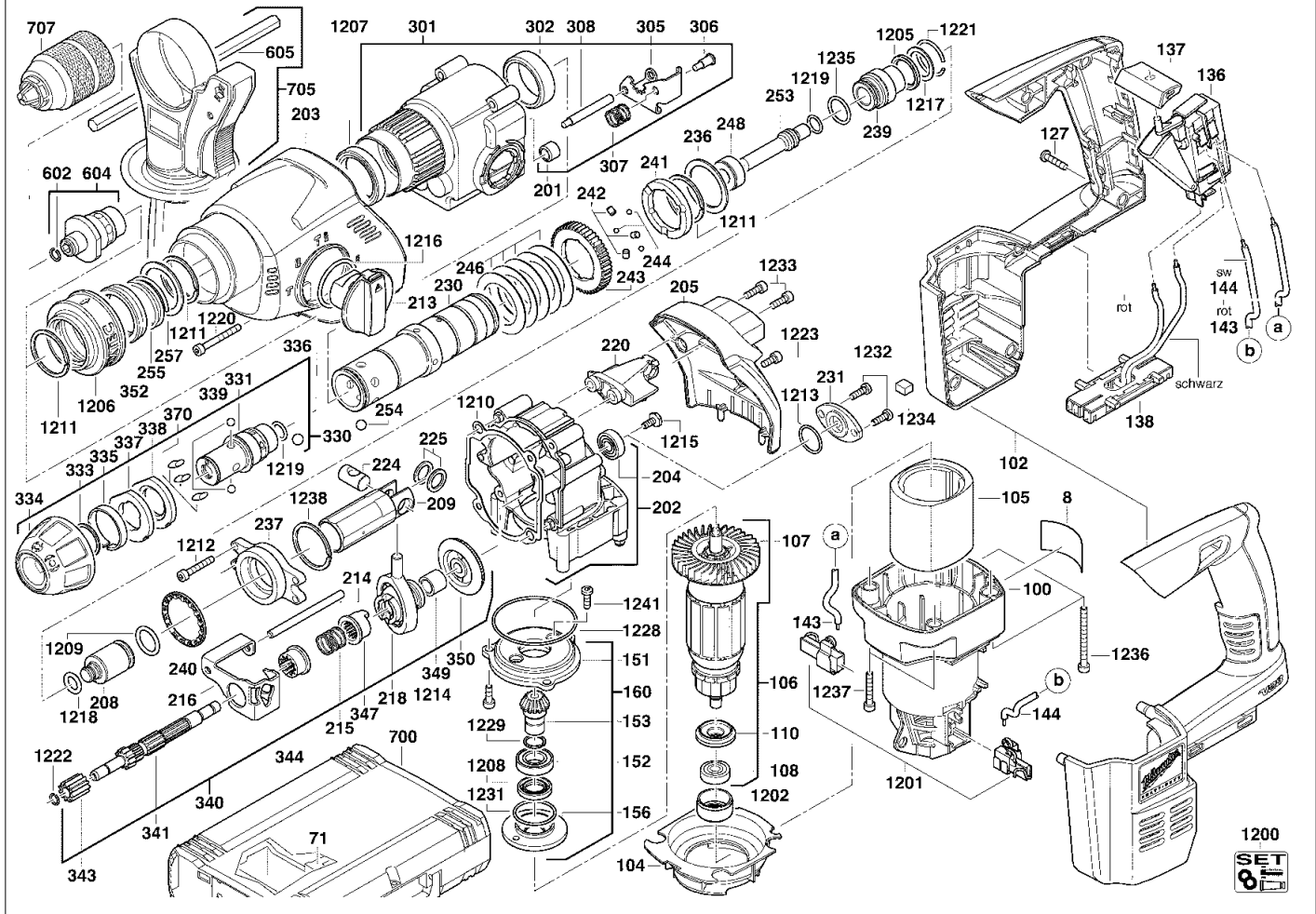
# A & M Electric Tools

# Rotary Hammers

Ind Product No.	Type	Voltage	Country
a 4000400885	V28HX	28V	IN2

Ind Product No.	Type	Voltage	Country

Milwaukee			
<b>V 28 HX</b>			
Exp.view No.	Version	Date	Page
4926 4008 86	0002	20.11.07	2/3



Pos	Index	Quanti	Article No.	Designation	Pos	Index	Quanti	Article No.	Designation
0243	a.....	1	4931392489	SPINDLE GEAR	0339	a.....	2	4931805413	BALL
0244	a.....	3	4931944281	BALL	0340	a.....	1	4931400876	REDUCTION GEAR
0246	a.....	5	4931365066	CUP SPRING	0341	a.....	1	4931384610	REDUCT. GEAR SHAFT
0248	a.....	1	4931384607	STOP WASHER	0343	a.....	1	4931384611	GEAR
0253	a.....	1	4931384605	SNAP DIE	0344	a.....	1	4931375874	INTERN.GEARED WHE
0254	a.....	6	4931805437	BALL	0347	a.....	1	4931384691	COUPLING SLEEVE
0255	a.....	1	4931331754	PRESSURE SPRING	0349	a.....	1	4931384613	DISTANCE SLEEVE
0257	a.....	1	4931624257	WASHER	0350	a.....	1	4931375891	BEVEL GEAR
0301	a.....	1	4931392741	GEAR BOX	0352	a.....	1	4931392450	RING STOP
0302	a.....	1	4931621944	NEEDLE BEARING	0370	a.....	3	4931396400	HOLDING-DOWN DEVIC
0305	a.....	1	4931384618	LOCKING PLATE	0602	a.....	1	4931302074	SPRING
0306	a.....	1	4931384619	GUIDE BOLT	0604	a.....	1	4931392452	CHUCK ADAPTER
0307	a.....	1	4931384631	PRESSURE SPRING	0605	a.....	1	4931384434	DEPTH GAUGE
0308	a.....	1	4931384690	GUIDE BOLT	0700	a.....	1	4932383162	CARRYING CASE
0330	a.....	1	4931384684	ADAPTER	0705	a.....	1	4931392747	HANDLE
0331	a.....	1	4931392451	ADAPTER	0707	a.....	1	4932376531	QUICK ACTION CHUCK
0333	a.....	1	4931622874	SPRING RING	1200	a.....	1	4931400891	MAINTENANCE SET
0334	a.....	1	4931384681	SET SLEEVE	1201	a.....	1	4931392429	CARBON BRUSH SET
0335	a.....	1	4931321064	SPRING	1202	a.....	1	4931351729	RUBBER SLEEVE
0336	a.....	1	4931911572	BALL	1205	a.....	1	4931624391	SEAL RING
0337	a.....	1	4931343034	JUMPER RING	1206	a.....	1	4931392746	SLEEVE
0338	a.....	1	4931343057	SPACER	1207	a.....	1	4931624430	SEAL RING

Repairs/modification and testing of electric power tools are to be carried out by specialists. The safety regulations according to DIN/VDE/CEE/AFNOR and other regulations valid in the different countries are to be observed.

