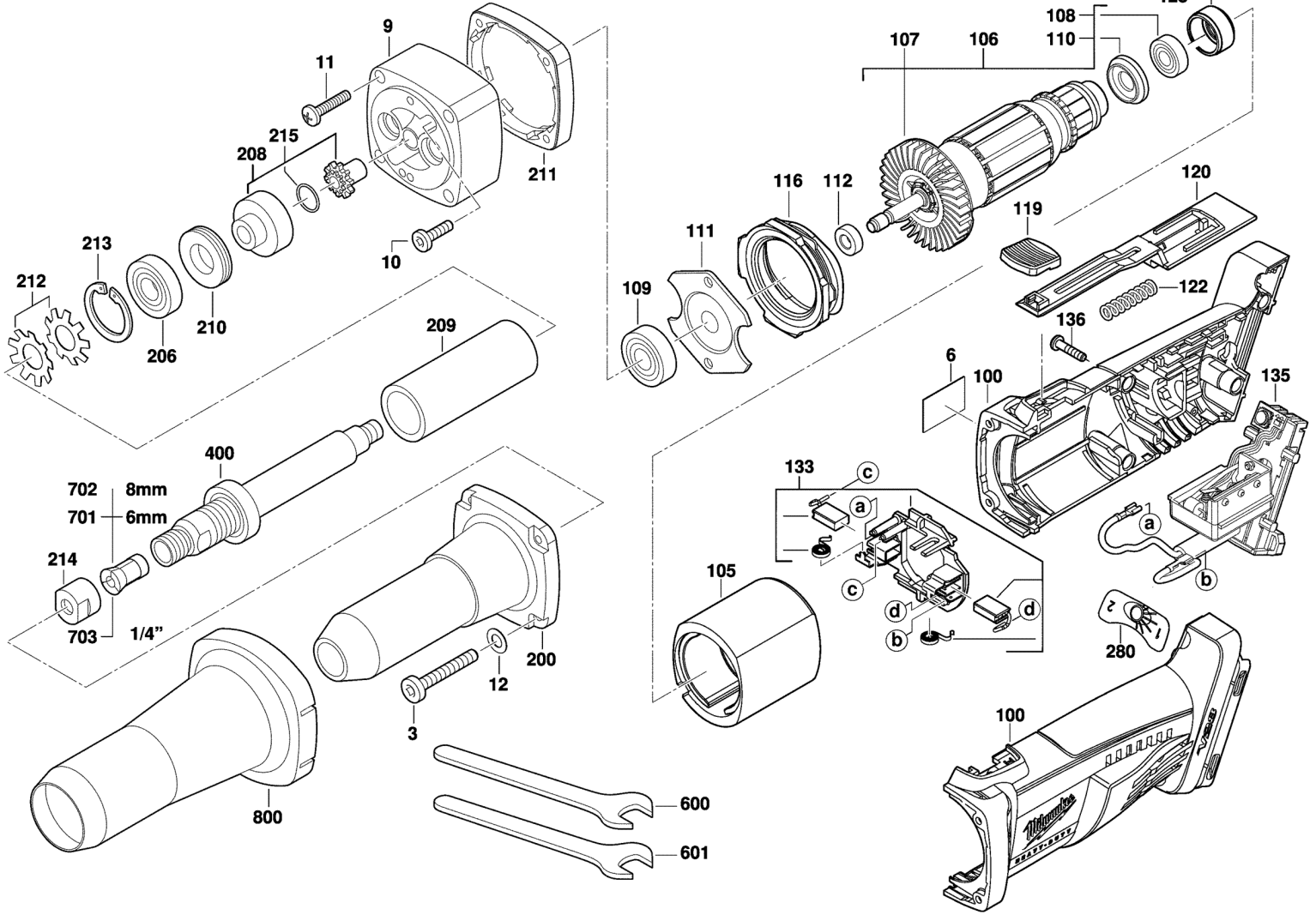


# **BATTERY DIE GRINDER**

**4933415615 - HD28SG - 4000417965**



Position	Quantity	Description	Part number	EAN
0003	4	SCREW	4931317532	4002395600175
0006	1	RATING PLATE	4931417968	4002395849581
0009	1	BEARING END PLATE	4931426201	4002395834068
0010	2	SCREW	4931279999	4002395590650
0011	4	SCREW D 7981 3,9X32	4931621515	4002395695508
0012	4	SEALING WASHER D 433 4,3	4931617414	4002395694792
0100	1	HOUSING	4931407225	4002395788996
0105	1	HOUSING	4931392390	4002395738809
0106	1	ARMATURE	4931426501	4002395843503
0107	1	FAN	4931342793	4002395628544
0108	1	BALL BEARING	4931624661	4002395790906
0109	1	BALL BEARING	4931901253	4002395706358
0110	1	INSULATING DISC	4931392383	4002395747405
0111	1	BEARING COVER	4931351913	4002395640904
0112	1	DISTANCE SLEEVE	4931395098	4002395827282
0116	1	AIR DEFLECTOR RING	4931401749	4002395784400
0119	1	SLIDER	4931401676	4002395765874
0120	1	SWITCH LEVER	4931401755	4002395780600
0122	1	PRESSURE SPRING	4931327696	4002395608942
0123	1	RUBBER SLEEVE	4931351729	4002395640553
0133	1	BRUSH HOLDER	4931395223	4002395837106
0135	1	ELECTRONIC	4931395232	4002395842155
0136	4	SCREW	4931624515	4002395757367
0200	1	BEARING NECK	4931426462	4002395844784
0206	1	BALL BEARING D 625 6001 ZTH LDS	4931804500	4002395705894
0208	1	MODIFICATION SET	4931417294	4002395828050
0209	1	DISTANCE SLEEVE	4931208217	4002395583386
0210	1	NUT	4931208219	4002395583393
0211	1	INTERMEDIATE FLANGE	4931354044	4002395643615
0212	2	SPRING	4931220726	4002395583935
0213	1	LOCKING RING	4931884220	4002395706259
0214	1	CLAMPING NUT	4931409786	4002395839728
0215	1	SEAL RING	4931623232	4002395701094
0280	1	ADHESIVE LABEL	4931417520	4002395843978
0400	1	GRINDING SPINDLE	4931278595	4002395589609
0600	1	KEY D 894 17	4931822228	4002395706181
0601	1	KEY D894 15	4931606563	4002395693726
0800	1	SLEEVE	4931378008	4002395682782
0701	1	COLLET OF/E 6MM P1 A/M	4932313192	4002395302833
0702	1	COLLET OF/E 8MM P1 A/M	4932313190	4002395302840
0703	1	COLLET OFS450 6.35MM P1 A/M	4932313194	4002395302857