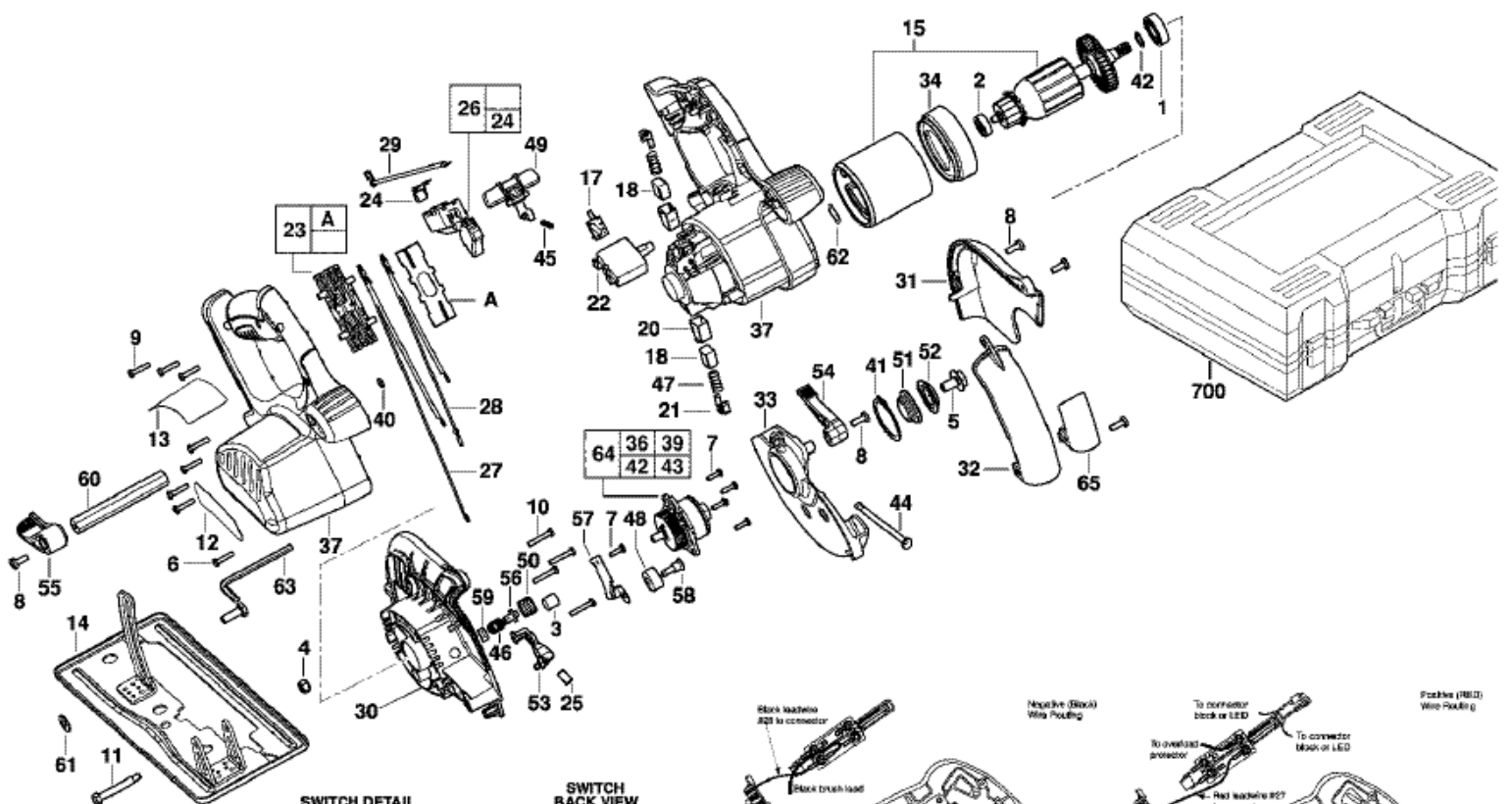
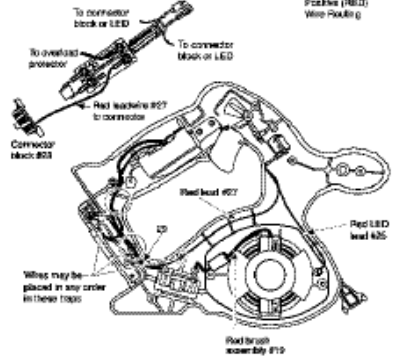
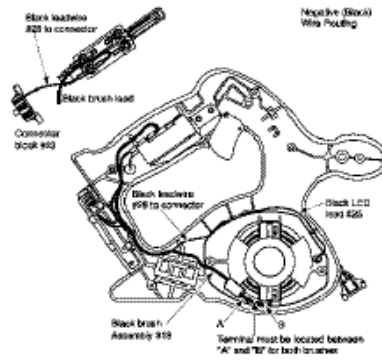
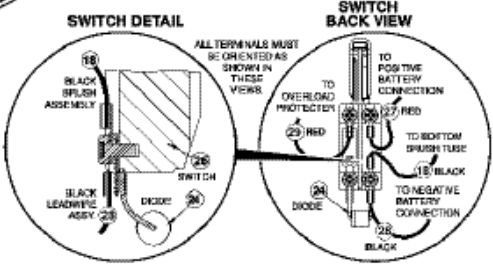


BATTERY CIRCUL.SAW

4933416870 - HD28MS-32C - 4000431298



WARNING
SWITCH AND DIODE
ARE POLARITY
SENSITIVE
 If wired incorrectly,
 switch and diode will
 be damaged and
 destroyed!



Position	Quantity	Description	Part number	EAN
0001	1	BALL BEARING	02041212	
0002	1	BALL BEARING	02045130	
0003	1	NEEDLE BEARING	02501640	
0004	1	LOCK NUT	06571100	
0005	1	SCREW	06751010	
0006	1	SCREW	06751010	
0007	1	PIN	06825285	
0008	1	SCREW TORX SCREW	06825314	4002395851935
0009	1	SCREW	06827470	4002395773367
0010	1	SCREW	06827475	
0011	1	CYLINDRICAL BOLT	06829685	
0012	1	ADHESIVE LABEL	940064035	4002395838752
0013	1	RATING PLATE	4931433499	4002395894840
0014	1	GUIDE SHOE	301524001	4002395838875
0015	1	MOTOR ASSEMBLY	290147074	4002395839711
0017	1	ELECTRONIC	22091075	4002395773855
0018	1	CARBON BRUSH SET	4931433500	4002395894857
0020	1	BRUSH HOLDER	22200425	
0021	1	BRUSH SPRING	672383001	4002395838783
0022	1	CONNECTOR	514797001	4002395836598
0023	1	CONNECTOR	22560975	
0024	1	RESISTOR	22740510	
0025	1	BULB	23280175	4002395774043
0026	1	SWITCH ON-OFF	270017215	4002395836390
0027	1	WIRE	23942680	4002395774180
0028	1	WIRE	23942690	4002395774197
0029	1	SWITCH	23942700	4002395774203
0030	1	GEAR BOX HOUSING	28140795	
0031	1	COVER	28201174	4002395774326
0032	1	COVER	28410945	
0033	1	COVER	28411090	4002395774364
0034	1	AIR DEFLECTOR RING	31050350	
0036	1	COVER	31150601	
0037	1	HANDLE SET	4931433339	4002395894833
0039	1	SPINDLE GEAR	32751371	4002395774753
0040	1	O-RING	34404480	
0041	1	THRUST COLLAR	34600860	
0042	1	RING	34600920	
0043	1	SPINDLE	38501160	
0044	1	SPRING	40500045	
0045	1	SPRING	40500350	
0046	1	PRESSURE SPRING SPRING	40508040	
0047	1	SPRING	672384001	4002395838790
0048	1	GUARD	42380222	
0049	1	SWITCH	42421025	4002395774906
0050	1	PUSH-BUTTON	42421030	
0051	1	FLANGE	43340920	4002395774999
0052	1	FLANGE	43340795	
0053	1	HOLDER	43720600	4002395775033
0054	1	LEVER	514347002	4002395840557

Position	Quantité	Désignation	Référence	EAN
0055	1	LEVER	514348002	4002395840564
0056	1	SPINDLE	44200650	
0057	1	PLATE	44660845	4002395775101
0058	1	SCREW	45040485	
0059	1	FELT PACKING	45060720	
0060	1	SHAFT	45080395	
0061	1	WASHER	45881545	
0062	1	WASHER	45885615	
0063	1	WRENCH 3/16	49960080	45242221608
0064	1	GEARWHEEL SET	302172001	4002395836482
0065	1	CHIP DEFLECTOR	31550350	4002395774661
0700	1	CARRYING CASE	48551490	