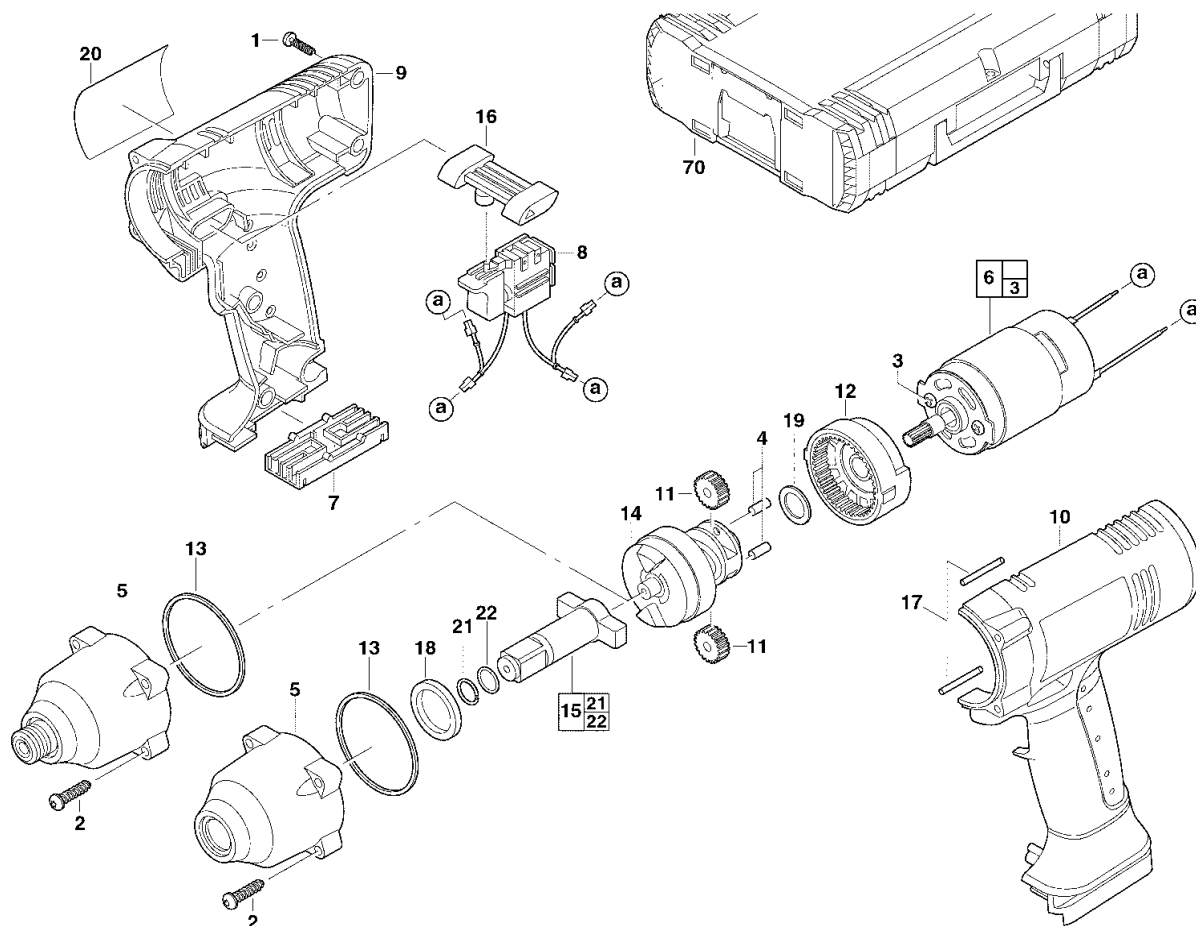


# A & M Electric Tools

Ind	Product No.	Type	Voltage	Country
a	4000389581	PIW14.4HEX	14,4V	***
b	4000389586	PIW14.4SD1/2"	14,4V	***

# Battery Tools

Ind	Product No.	Type	Voltage	Country
<b>Milwaukee</b>				
<b>PIW14,4HEX</b>				
<b>PIW14,4SD1/2"</b>				
Exp.view No.	Version	Date	Page	
4926 3895 84	0001	08.10.03	1/1	



Pos	Index	Quanti	Article No.	Designation	Pos	Index	Quanti	Article No.	Designation
0001	ab.....	5	05780350	SCREW	0021	.b.....	1	34601040	RETAINING RING
0002	ab.....	4	05780900	SCREW	0022	.b.....	1	34400980	O-RING
0003	ab.....	2	05810409	SCREW	0070	ab.....	1	4932378986	CARRYING CASE
0004	ab.....	2	06650970	PIN					
0005	a.....	1	14300570	GEAR CASE					
0005	.b.....	1	14300580	GEAR CASE					
0006	ab.....	1	14500720	MOTOR					
0007	ab.....	1	4931349089	INSERT					
0008	ab.....	1	23662245	SWITCH ASSEMBLY					
0009	ab.....	1	31441190	HANDLE RIGHT					
0010	ab.....	1	31441195	HANDLE LEFT					
0011	ab.....	2	32620230	PLANET GEAR					
0012	ab.....	1	32650100	WORM GEAR					
0013	ab.....	1	34400960	RUBBER RING					
0014	ab.....	1	38500930	SHAFT					
0015	.b.....	1	42060485	SHAFT					
0016	ab.....	1	45240510	SLIDE					
0017	ab.....	2	45060760	SEAL					
0018	.b.....	1	45880845	WASHER					
0019	ab.....	1	45880955	WASHER					
0020	a.....	1	12201195	NAME PLATE					
0020	.b.....	1	12201210	NAME PLATE					

Repairs/modification and testing of electric power tools are to be carried out by specialists. The safety regulations according to DIN/VDE/CEE/AFNOR and other regulations valid in the different countries are to be observed.