

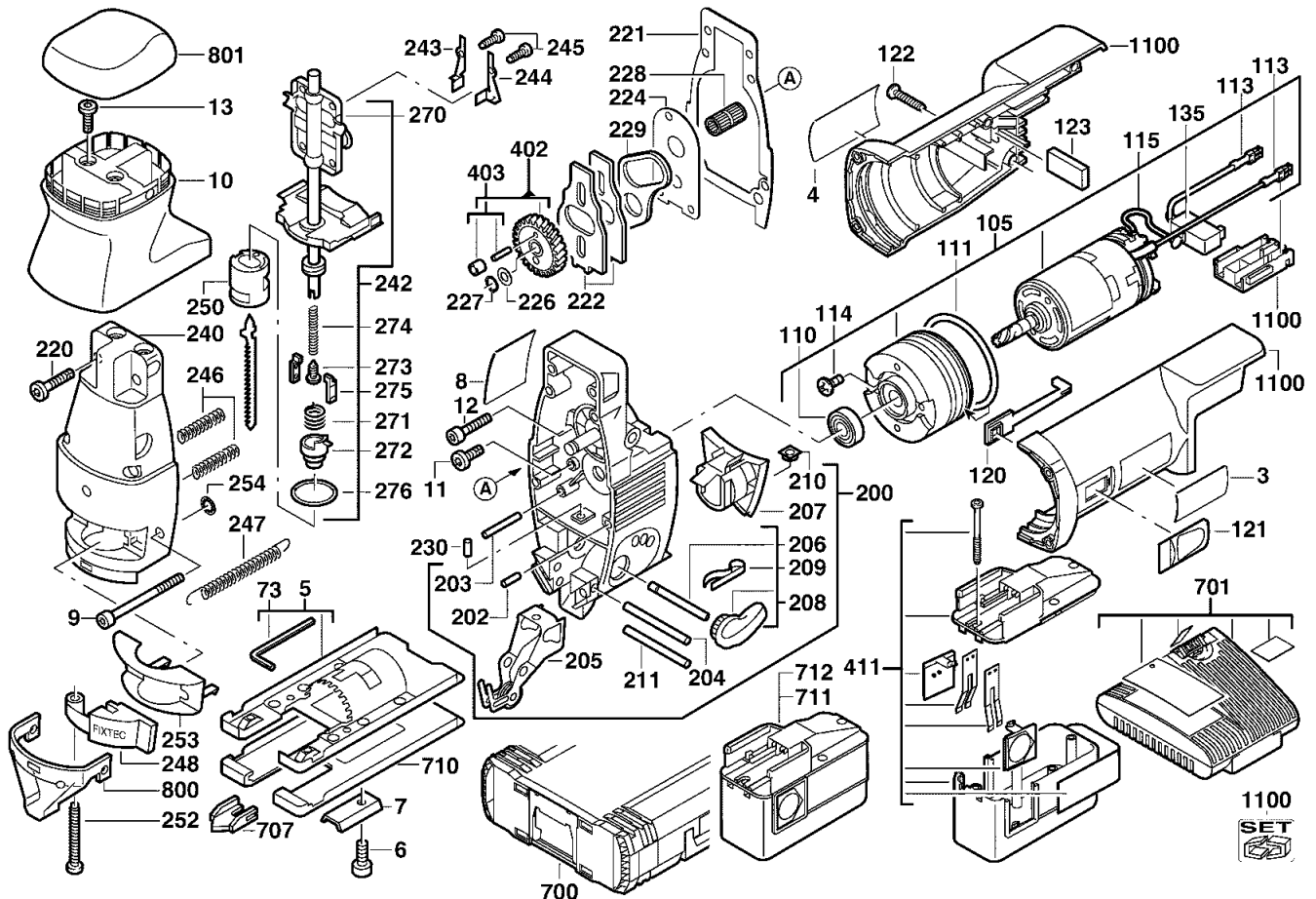
# A & M Electric Tools

Ind	Product No.	Type	Voltage	Country
a	4000382743	PJX12 POWER PLUS	12V	IN2
b	4000382743	PJX12 POWER PLUS	12V	IN2

# Battery Tools

Ind	Product No.	Type	Voltage	Country
<b>Milwaukee</b>				
<b>PJX12POWERPLUS</b>				

Exp.view No.      Version    Date      Page  
**4926 3827 46    0004    25.01.02    1/2**



Pos	Index	Quanti	Article No.	Designation	Pos	Index	Quanti	Article No.	Designation
0003	ab.....	1	4931382710	NAME PLATE	0135	ab.....	1	4931349564	SWITCH
0004	ab.....	1	4931382779	RATING PLATE	0200	ab.....	1	4931382749	GEAR BOX
0005	ab.....	1	4931375233	GROUND PLATE	0202	ab.....	2	4931621770	PIN
0006	ab.....	1	4931614786	SCREW	0203	ab.....	1	4931621831	PIN
0007	ab.....	1	4931300395	THRUST PIECE	0204	ab.....	1	4931621875	PIN
0008	ab.....	1	4931341757	SAW TABLE	0205	ab.....	1	4931345848	SUPPORT ROLL
0009	ab.....	2	4931623017	SCREW	0206	ab.....	1	4931330261	INDEXING BOLT
0010	ab.....	1	4931330271	KNOB HANDLE	0207	ab.....	1	4931330268	DUST EXTR.CONNECT
0011	ab.....	2	4931317532	SCREW	0208	ab.....	1	4931330438	SWITCH LEVER
0012	ab.....	2	4931623019	SCREW	0209	ab.....	1	4931300235	PLATE SPRING
0013	ab.....	2	4931623016	SCREW	0210	ab.....	1	4931330417	SUNK NUT
0073	ab.....	1	4931606738	KEY	0211	ab.....	1	4931623206	PIN
0105	ab.....	1	4931349574	DRIVE	0220	ab.....	2	4931623020	SCREW
0110	ab.....	1	4931621829	BALL BEARING	0221	ab.....	1	4931357446	SEAL
0111	ab.....	1	4931623562	O-RING	0222	ab.....	2	4931330255	BALANCE WEIGHT
0113	ab.....	2	4931623536	WIRE	0224	ab.....	1	4931357577	SHIM
0114	ab.....	2	4931621528	SCREW	0226	ab.....	1	4931621830	DISC
0115	ab.....	1	4931623556	WIRE	0227	ab.....	1	4931605092	RING
0120	ab.....	1	4931349559	SLIDE	0228	ab.....	1	4931330420	NEEDLE CAGE
0121	ab.....	1	4931358872	SWITCH COVER	0229	ab.....	1	4931330256	ROCKER BAR
0122	ab.....	3	4931622708	SCREW	0230	ab.....	1	4931330405	CYLINDRICAL BOLT
0123	ab.....	1	4931368224	SUPPORT	0240	ab.....	1	4931351789	GEAR BOX COVER

Repairs/modification and testing of electric power tools are to be carried out by specialists. The safety regulations according to DIN/VDE/CEE/AFNOR and other regulations valid in the different countries are to be observed.

# A & M Electric Tools

# Battery Tools

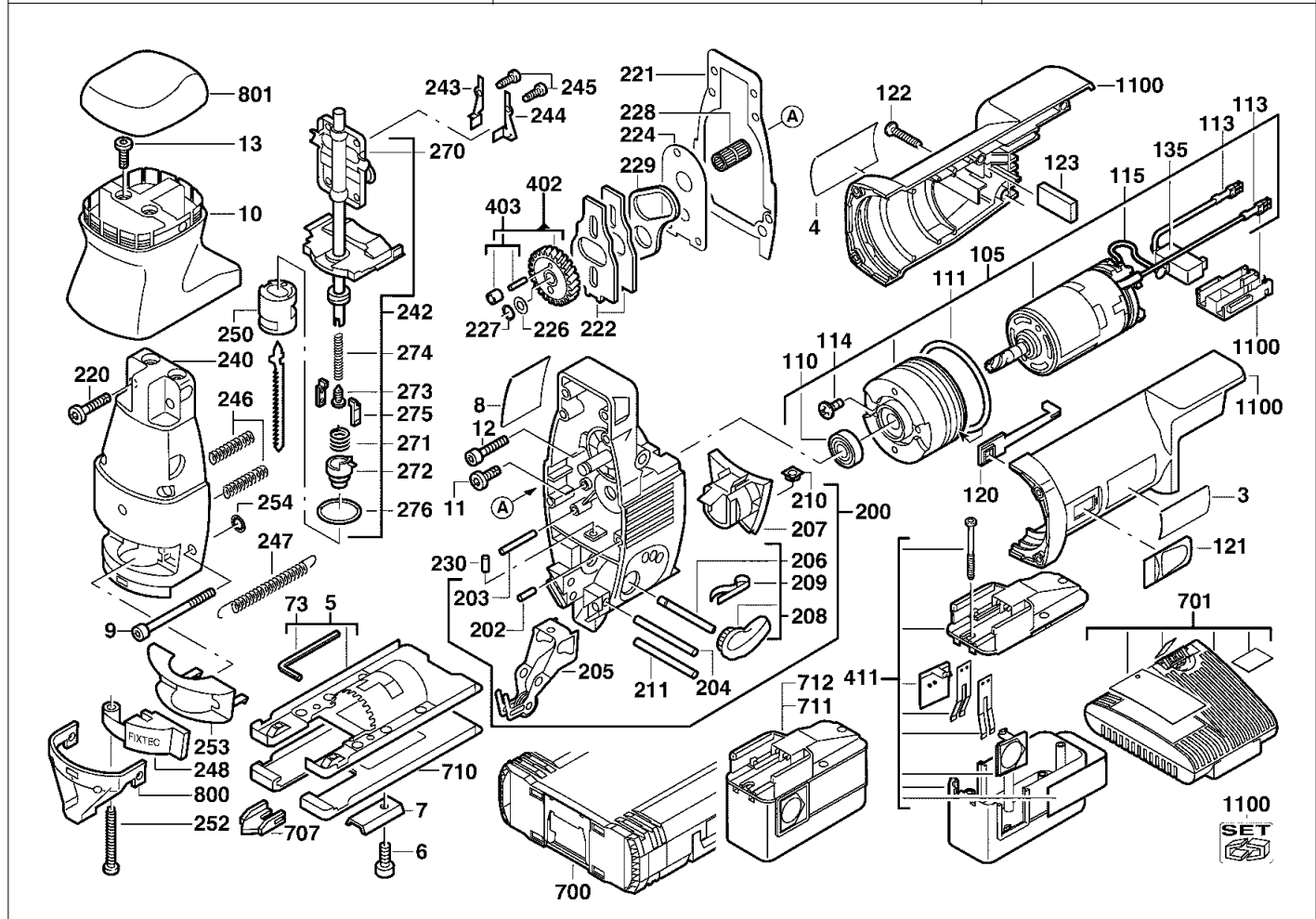
Milwaukee

## PJX12POWERPLUS

Exp.view No.      Version      Date      Page  
**4926 3827 46      0004      25.01.02      2/2**

Ind	Product No.	Type	Voltage	Country
a	4000382743	PJX12 POWER PLUS	12V	IN2
b	4000382743	PJX12 POWER PLUS	12V	IN2

Ind	Product No.	Type	Voltage	Country



Pos	Index	Quanti	Article No.	Designation
0242	ab.....	1	4931357690	RAM
0243	ab.....	1	4931330477	CLAMP
0244	ab.....	1	4931330478	CLAMP
0245	ab.....	2	4931623016	SCREW
0246	ab.....	2	4931341759	PRESSURE SPRING
0247	ab.....	1	4931330453	TENSION SPRING
0248	ab.....	1	4931382776	SWITCH LEVER
0250	ab.....	1	4931330944	SLEEVE
0252	ab.....	1	4931623009	SCREW
0253	ab.....	1	4931330269	GUARD
0254	ab.....	1	4931341818	RING
0270	ab.....	1	4931357691	RAM
0271	ab.....	1	4931330424	TORSION SPRING
0272	ab.....	1	4931345847	COLLET
0273	ab.....	1	4931623102	SCREW
0274	ab.....	1	4931357686	PRESSURE SPRING
0275	ab.....	2	4931330303	CENTERING JAW
0276	ab.....	1	4931623091	SEAL RING
0402	ab.....	1	4931361384	GEAR
0403	ab.....	1	4931361386	REPAIR KIT
0411	ab.....	1	4931386133	HOUSING FOR BATTER
0700	.b.....	1	4932386392	CARRYING CASE

Pos	Index	Quanti	Article No.	Designation
0701	a.....	1	4932376084	CHARGER
0701	.b.....	1	4932386670	CHARGER
0707	ab.....	1	4932367436	ANTI-CHIPPING DEVI.
0710	ab.....	1	4932367734	GLIDING SHOE
0711	ab.....	1	4932353640	BATTERY PACK
0712	ab.....	1	4932360520	BATTERY PACK
0800	ab.....	1	4931330467	DUST CAP
0801	ab.....	1	4931330272	BALL LID
1100	ab.....	1	4931358934	HOUSING

Repairs/modification and testing of electric power tools are to be carried out by specialists. The safety regulations according to DIN/VDE/CEE/AFNOR and other regulations valid in the different countries are to be observed.