

STYKLISTE

Side 1

MODEL 2414K

| Pos. | Art.nr. | Betegnelse | Stk. | Note |
|------|----------|---------------------------------|------|----------|
| 001 | 911148-2 | SKRUE M4x25###(911546-0) | 1 | |
| 002 | 911148-2 | SKRUE M4x25###(911546-0) | 1 | |
| 003 | 911273-9 | SKRUE M5x50 (2414NB) | 2 | |
| 004 | 911253-5 | SKRUE M5x30 | 1 | |
| 005 | 911148-2 | SKRUE M4x25###(911546-0) | 1 | |
| 006 | 182751-8 | HÅNDGREB (2414K) INC. 103 | 1 | |
| 007 | 265995-6 | BLIKSKRUE 4x18###(266326-2) | 2 | |
| 008 | 687052-4 | KABELKLEMMEPLADE (4100NB) | 1 | 220/240V |
| 009 | 682507-4 | KABELBESKYTTER 12-200 | 1 | |
| 010 | 665231-4 | POWER SUPPLY CORD 1.00-3-2.5 | 1 | |
| 011 | 911334-5 | SKRUE M6x20 | 1 | |
| 012 | 322049-3 | KABELHOLDER 2412N | 1 | |
| 013 | 924206-5 | FLØJSKRUE M5X10 | 1 | |
| 014 | 942101-7 | FJEDERRING 5 | 1 | |
| 015 | 341395-5 | PLATTE | 1 | |
| 016 | 931302-2 | 6KANT-MØTRIK M6###(252014-7) | 1 | |
| 017 | 931302-2 | 6KANT-MØTRIK M6###(252014-7) | 1 | |
| 018 | 942151-2 | FJEDERRING 6 | 1 | |
| 019 | 253011-6 | UNDERLAGSSKIVE 6 | 1 | |
| 020 | 282013-5 | KETTE | 1 | |
| 021 | 265380-3 | SCHRAUBE M 6X18 | 1 | |
| 022 | 953106-2 | SKRUE TIL TYPESKILT 0,5mm | 4 | |
| 023 | 857005-9 | TYPENSCHILD 2414K | 1 | |
| 024 | 284010-7 | ABDECKPLATTE | 1 | |
| 025 | 651018-0 | AFBRYDER HPAHR2-3S | 1 | |
| 026 | 911211-1 | SKRUE M5X12 | 2 | |
| 027 | 645182-7 | NOICE SUPPRESSOR | 1 | 220/240V |
| 028 | 911113-1 | SKRUE M4X10###(922107-1) | 2 | |
| 029 | 263002-9 | GUMMISTIFT 4 | 1 | |
| 030 | 643650-4 | KULDÆKSEL 6,5-13,5 | 2 | |
| 031 | 181044-0 | KULSÆT CB-153 | 1 | |
| 032 | 156446-9 | MOTOR HOUSING INC. 29 | 1 | 220/240V |
| 033 | 681002-1 | ISOLIERSCHEIBE (1805) | 2 | |
| 034 | 343299-7 | FELDRING | 1 | |
| 035 | 211066-7 | KUGLELEJE###(211087-9) | 1 | |
| 036 | 213051-6 | STØVTÆTNING 10 | 1 | |
| 037 | 524878-2 | FELT 2414K | 1 | |
| 038 | 911938-3 | 6KANT-SKRUE M5X85 | 2 | |
| 039 | 514918-4 | ANKER 2414K INC. 35,36,40-42 | 1 | |
| 040 | 241515-0 | FAN 92 | 1 | |
| 041 | 213202-1 | STØVTÆTNING 15 | 1 | |
| 042 | 211206-7 | KUGLELEJE 6202LLB | 1 | |
| 043 | 150095-4 | SAFETY COVER COMPLETE | 1 | |
| 044 | 325517-5 | SPINDEL M10X20 | 1 | |
| 045 | 254032-1 | KILE | 1 | |
| 046 | 211306-3 | KUGLELEJE 6204LLB | 1 | |
| 048 | 263002-9 | GUMMISTIFT 4 | 1 | |
| 049 | 231240-1 | TRYKFJEDER 7 | 1 | |
| 050 | 325518-3 | STOPPER (2414) | 1 | |
| 051 | 213460-9 | O-RING 35 | 1 | |
| 052 | 157331-9 | GEARHUS INC. 48,51 | 1 | |
| 053 | 211061-7 | KUGLELEJE 6000LLB | 1 | |
| 054 | 961060-6 | LÅSERING S-20 (HM1800) | 1 | |
| 055 | 221774-2 | TANDHJUL 41 2414K | 1 | |
| 056 | 157026-4 | LEJERING (2414) | 1 | |
| 057 | 253755-8 | SKIVE (2412N) | 1 | |
| 058 | 911276-3 | SKRUE M5x55 | 4 | |

STYKLISTE

Side 2

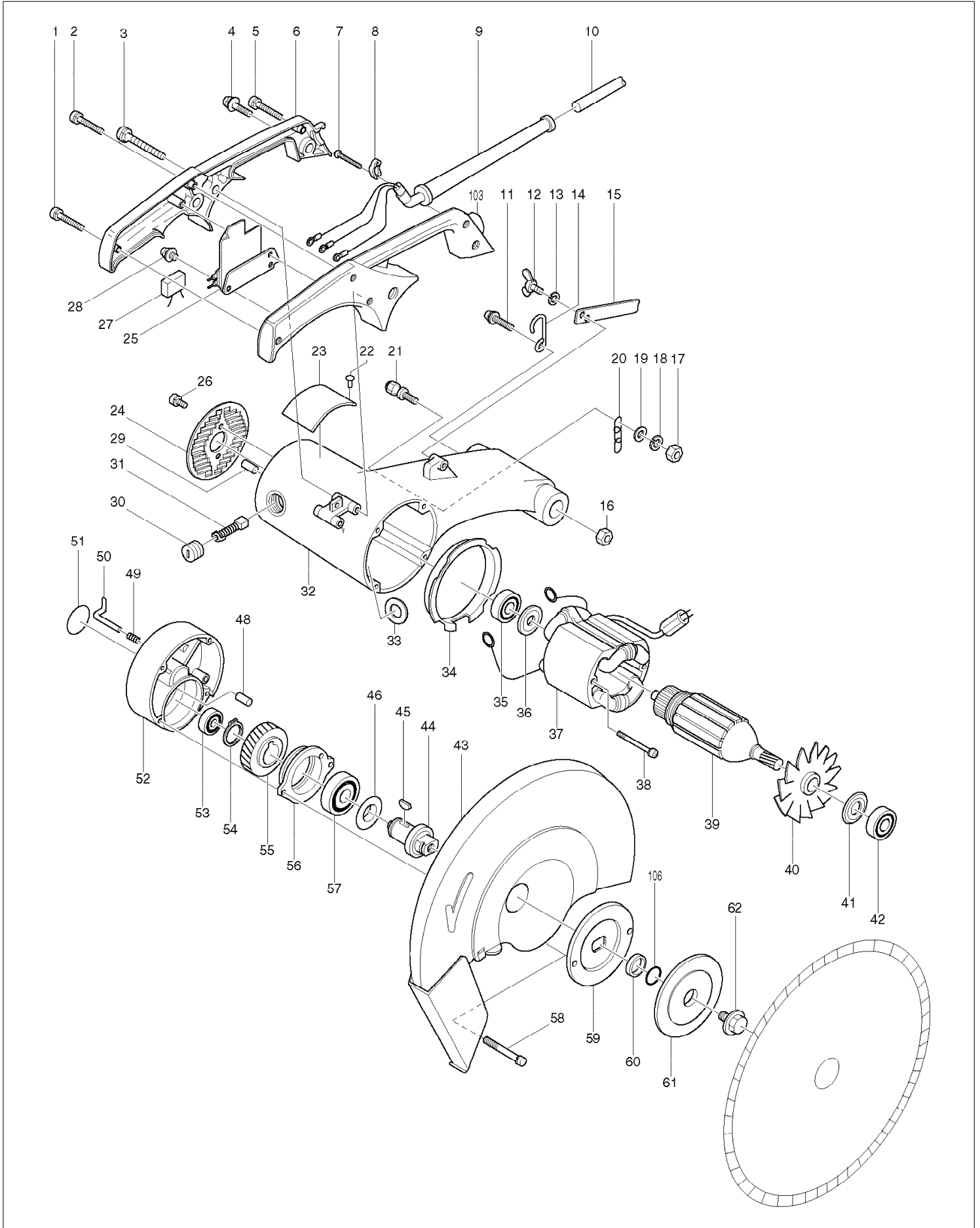
MODEL 2414K

| Pos. | Art.nr. | Betegnelse | Stk. | Note |
|------|----------|---|------|-------------|
| 059 | 224141-0 | INDERFLANGE 120 (2414) | 1 | |
| 060 | 257054-0 | RING 20x25,4x4MM (2412N) | 1 | |
| 061 | 224142-8 | ÄUßERER FLANSCH 120 | 1 | |
| 062 | 251680-7 | FLANGESKRUE M10x25 (2414NB) | 1 | |
| 063 | 253751-6 | UNDERLAGSSKIVE 24 | 1 | |
| 064 | 251683-1 | 6KANT-SCHRAUBE M8X40 | 1 | |
| 065 | 942201-3 | FJEDERSKIVE 8 (4112HS) | 1 | |
| 066 | 345141-8 | HALTER L | 1 | |
| 067 | 251683-1 | 6KANT-SCHRAUBE M8X40 | 1 | |
| 068 | 942201-3 | FJEDERSKIVE 8 (4112HS) | 1 | |
| 069 | 345142-6 | HALTER R | 1 | |
| 070 | 253751-6 | UNDERLAGSSKIVE 24 | 1 | |
| 071 | 331087-4 | ROHR 24 | 1 | |
| 072 | 231583-1 | TORSION SPRING 26 | 1 | |
| 074 | 265201-9 | SKRUE M 10X25 | 2 | |
| 076 | 345145-0 | VINKELANSLAG | 1 | |
| 077 | 911349-2 | PAN HEAD SCREW M6X28 | 3 | |
| 079 | 421277-8 | GUMMIFUß | 3 | |
| 081 | 272021-4 | HÄNDTAG 120 (2414K) | 1 | |
| 082 | 951163-4 | FJEDERSTIFT5-20 (5500S) | 1 | |
| 083 | 134467-1 | GRUNDPLADE (2414K) INC. 77,79 | 1 | |
| 084 | 931402-8 | MØTRIK M8 (LS1013) | 1 | |
| 085 | 942201-3 | FJEDERSKIVE 8 (4112HS) | 1 | |
| 086 | 253752-4 | SKIVE 8 | 1 | |
| 088 | 253011-6 | UNDERLAGSSKIVE 6 | 1 | |
| 089 | 911316-7 | SKRUE M6x14 | 1 | |
| 090 | 343546-6 | DRUCKPLATTE 2414K | 1 | |
| 091 | 265922-3 | SCHRAUBE M8 2414K | 1 | |
| 095 | 911451-1 | SKRUE M 8X30 | 2 | |
| 096 | 253731-2 | SKIVE 8###(941201-0) | 2 | |
| 097 | 311949-2 | HOLDER (2414NB) | 1 | |
| 098 | 951066-2 | FJEDERSTIFT (2414NB) | 1 | |
| 099 | 134548-1 | SPÆNDEANORDNING (2414K) INC. 81,82,90,91,96-98,104 | 1 | |
| 103 | 182751-8 | HÄNDGREB (2414K) INC. 6 | 1 | |
| 104 | 322209-7 | STOPMØTRIK (2414K) | 1 | |
| 105 | 819064-1 | MAKITA SKILT (HR4000C) | 1 | |
| 106 | 213218-6 | O-RING 16 2414K . | 1 | |
| A01 | 782210-8 | TOPNØGLE 17 | 1 | |
| A02 | 792189-5 | CUT-OFF WHEEL 355-NO.10 | 1 | AEPD-007/93 |
| E03 | 322152-0 | FIXIERBÜGEL 2414/K | 1 | |
| E05 | 345162-0 | ABDECKUNG 2414K | 1 | 220/240V |
| E09 | 416771-3 | PLUG | 2 | |
| E13 | 646329-6 | ENTSTÖRDROSSEL 2414K | 1 | 220/240V |
| E14 | 685722-9 | KAPPE (403,4302C,800) | 1 | 220/240V |
| E16 | 911106-8 | SKRUE M4x8 (4157KB) | 1 | |
| E18 | 911121-2 | SKRUE | 2 | 220/240V |
| E19 | 911148-2 | SKRUE M4x25###(911546-0) | 1 | |

EKSPLOSIONSTEGNING

Side 1

MODEL 2414K



EKSPLOSIONSTEGNING

Side 2

MODEL 2414K

