

# PARTS LIST



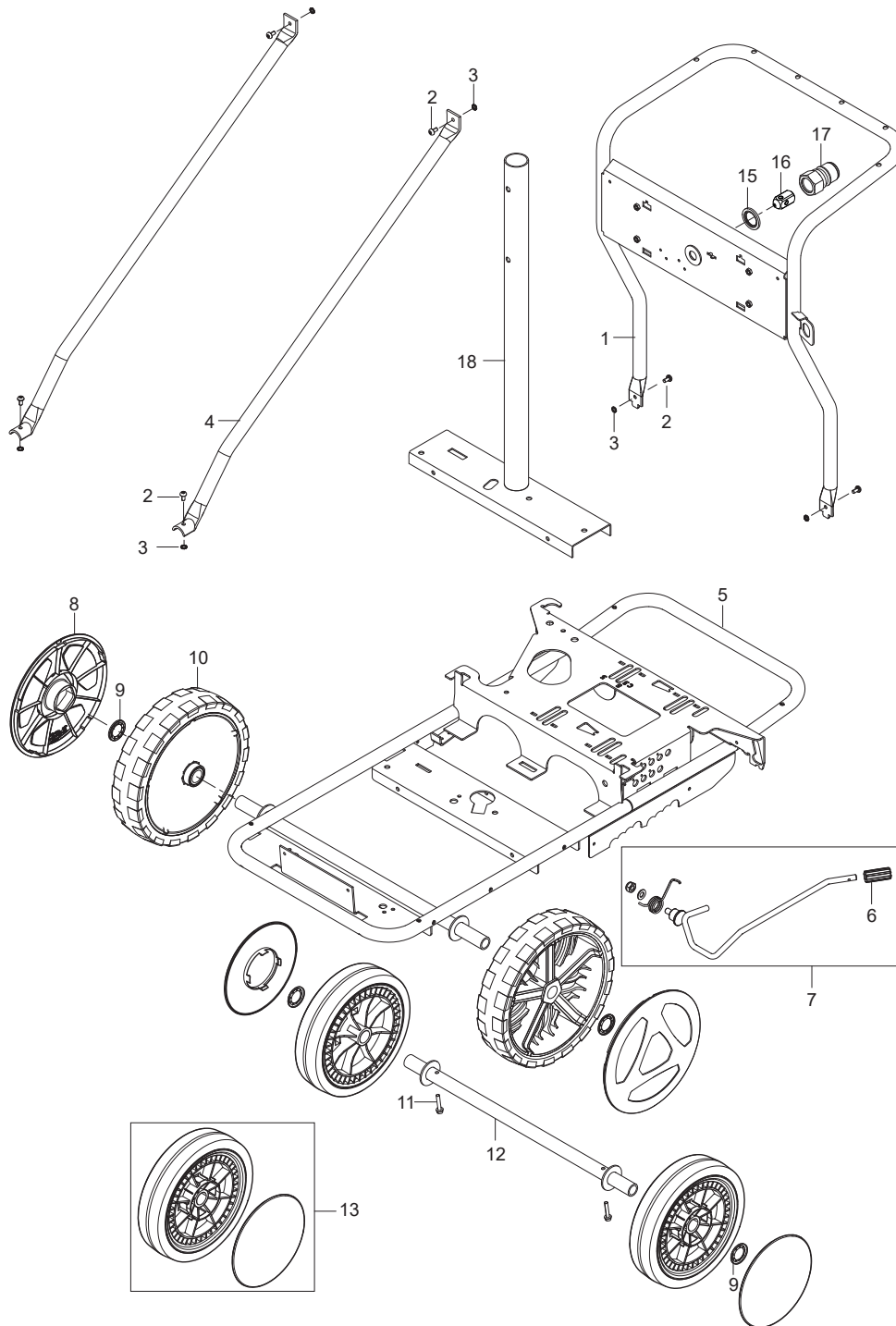
2023.07.27

# NILFISK

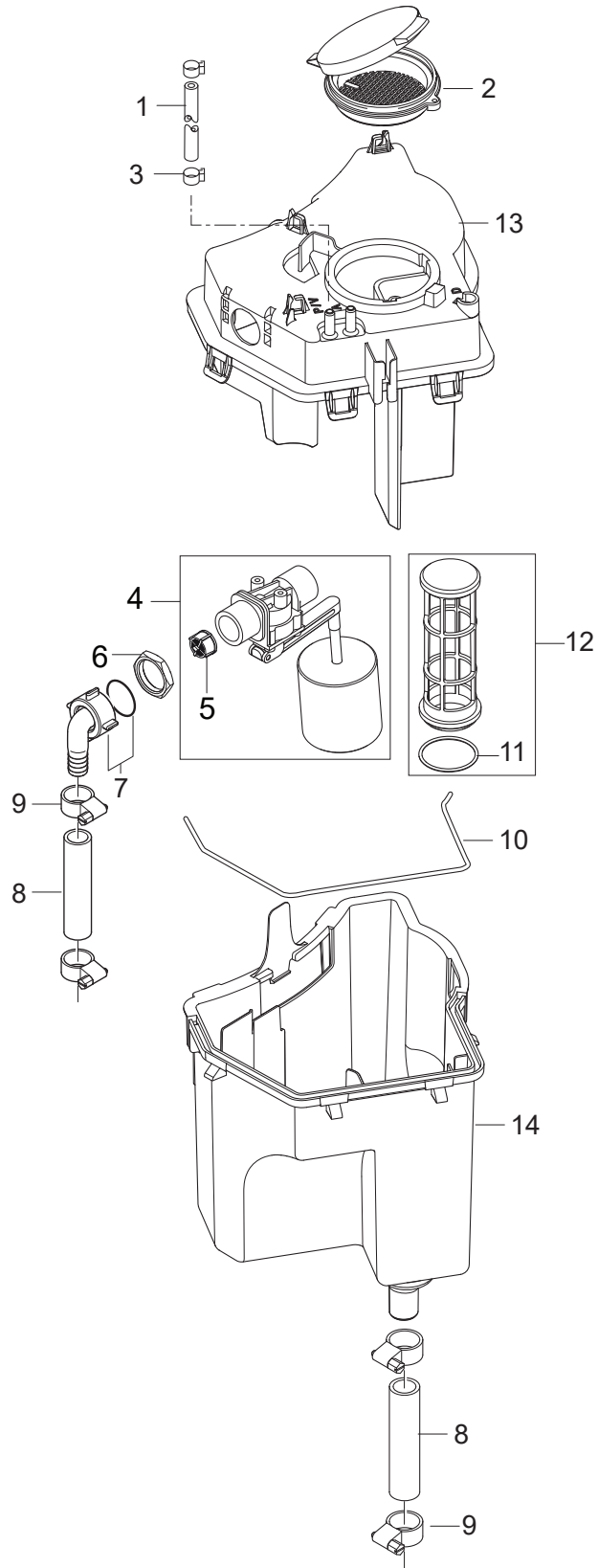
# TABLE OF CONTENTS

---

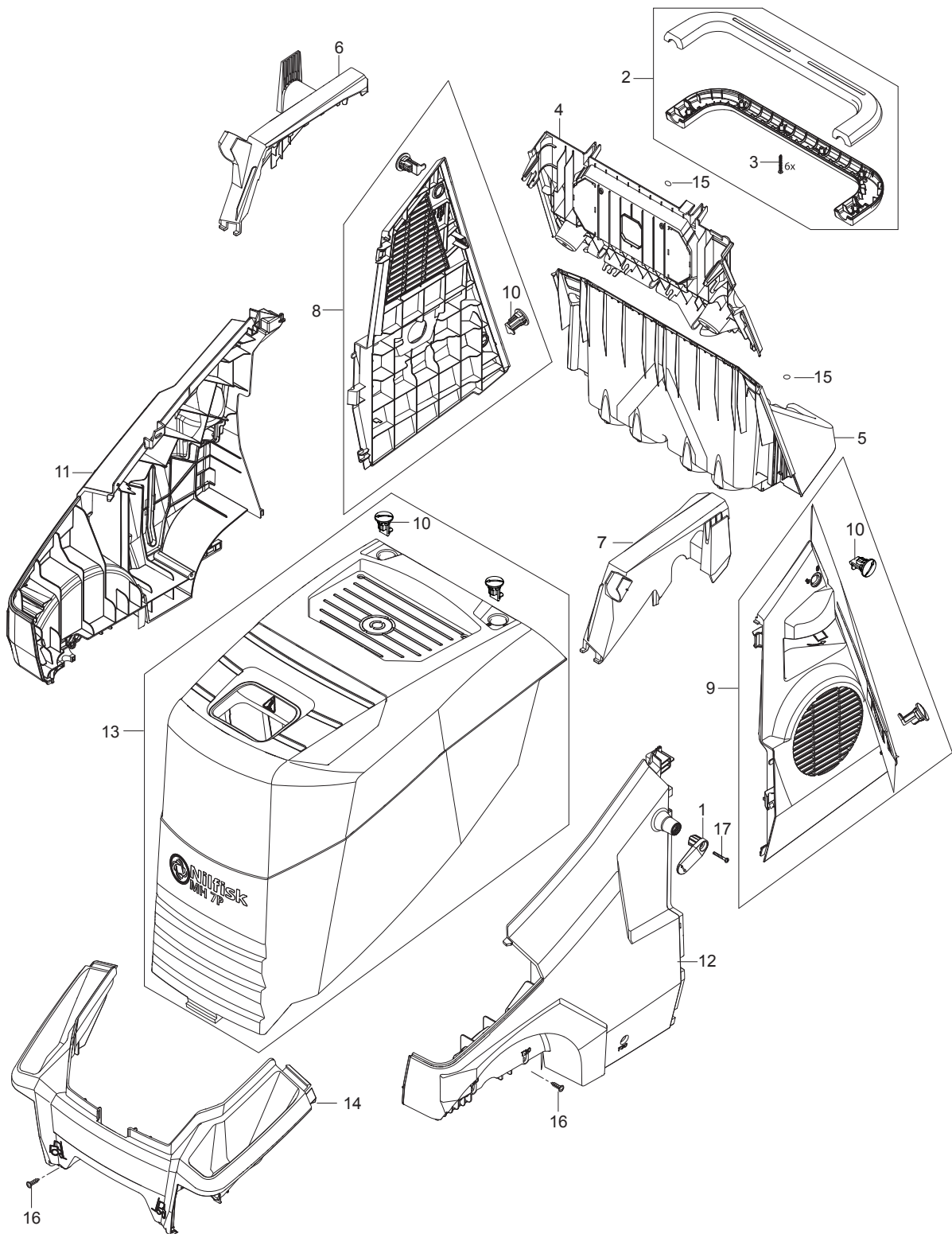
Chassis large .....	1
Water break tank .....	3
Cabinet .....	5
Electric box for motor 1~,3~ STAR and 3~ DELTA .....	7
Fuel tank 30L .....	9
1x detergent .....	11
Anti-scale .....	13
Electric box for motor Star/Delta .....	15
Electric box .....	17
Cables and wires .....	20
Motor .....	22
Cylinder block .....	24
Burner .....	26
Flow control w. hose connection .....	28
Fan .....	30
Hose reel .....	32
Boiler B7 .....	34
Water inlet_FA .....	36
Water flow regulation .....	38
Flow control FA .....	40
Default accessories .....	42



Pos.	Vare-nr	Antal	Beskrivelse	Notes
1	31001157	1	FRAME HANDLE	
2	107143018	6	SCREW M6X16	
3	107143146	6	WASHER SERRATED M6	
4	31001158	2	HANDLE STIFFENER LONG	
5	31001159	1	FRAME LARGE WELDED	
6	107143028	1	BRAKE KNOB	
7	101118229	1	BRAKE ARM LONG KIT	
8	107145780	2	WHEEL CAP FOR WHEEL Ø300X65 - NILFISK	
9	46363	4	Låsering Ø25	
10	107145637	2	WHEEL D300X65	
11	107143027	2	SCREW M6X35 SW10 DIN7500D FZB	
12	31001160	1	WHEEL AXLE REAR	
13	107143304	2	WHEEL D250 HEAVY LOAD W/CAP	
15	1801075	1	Tætningsskive 3/8"	
16	107143066	1	PISTON	
17	1600493	1	Ergo højtryksskobling DN10 3/8" han	
18	31001161	1	BOILER TUBE W. BRACKET LARGE	

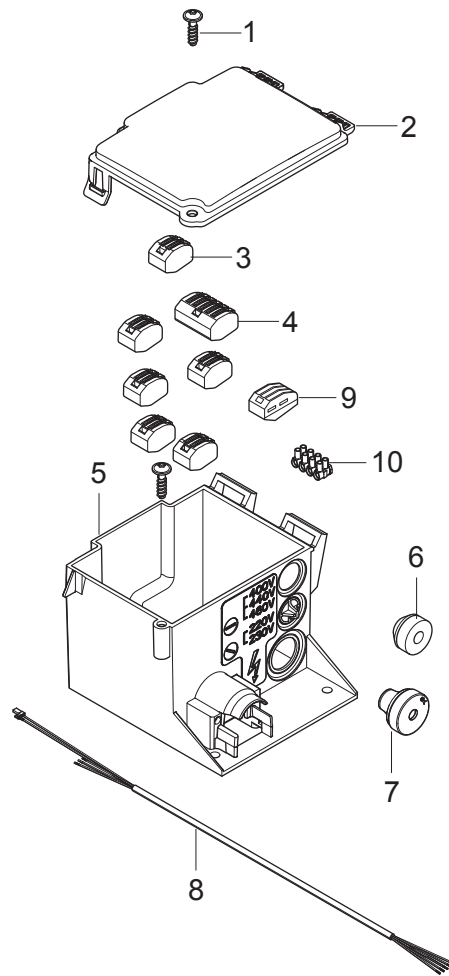


Pos.	Vare-nr	Antal	Beskrivelse	Notes
1	101406100	1	Kemislange, 5 Meter	
2	301000561	1	Dæksel	
3	301001133	2	Slangeklemme Ø10/7	
4	101117784	1	Svømmerventil	
5	34218	1	Filter For Float Valve Ku	
6	1800341	1	"Kontramøtrik 3/4"" "	
7	107143084	1	HOSE COUPLING 90° 20X3/4 PP W/NUT/GASKET	
8	107143031	1	FUELFLEX HOSE D28/D20 10BAR/20°	
9	8298	4	Spændebånd	
10	101406054	1	Sponge Rubber Ø4 L 1M	
11	107143032	1	O-RING D30X2 SHORE70 NBR BLACK	
12	106403194	1	Filter til svømmertank	
13	107143060	1	COVER FOR WATER TANK	
14	107143030	1	WATER BREAK TANK	



Pos.	Vare-nr	Antal	Beskrivelse	Notes
1	107143025	1	CABLE HOOK CLAMP BLUE	
2	101118192	1	HANDLE KIT	
3	909100148	6	SCREW K40X30 WN 1452	
4	107143013	1	REAR END TOP	
5	107143014	1	REAR END BOTTOM	
6	107143021	1	COVERING FOR HANDLE RIGHT	
7	107143022	1	COVERING FOR HANDLE LEFT	
8	101118223	1	DOOR MPU C3 RIGHT	
9	107143019	1	DOOR LEFT W/LOCKS	
10	301001261	6	Lås	
11	107143130	1	SIDE BUMPER LARGE RIGHT	
12	107143131	1	SIDE BUMPER LARGE LEFT	
13	101118205	1	CABINET MH 7P NILFISK KIT	
14	107143015	1	FRONT BUMPER	
15	107143009	6	BLIND PLUG D16.5 FOR T30 BLACK PE	
16	107143018	12	SCREW M6X16	
17	107141838	7	SCREW K50X18 WN1451 BLACK TORX20	

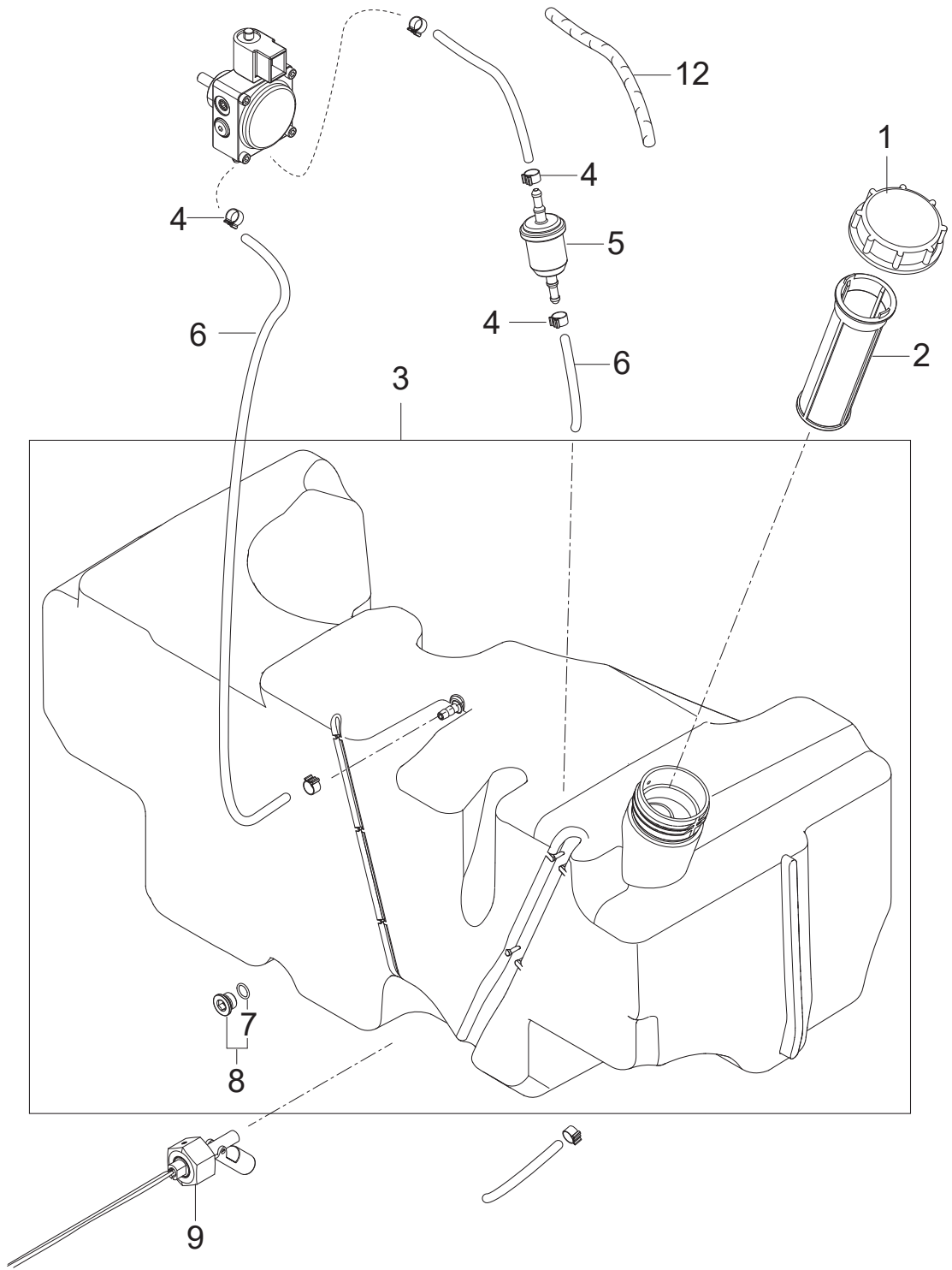




Pos.	Vare-nr	Antal	Beskrivelse	Notes
1	107141838	1	SCREW K50X18 WN1451 BLACK TORX20	
2	301000782	1	Dæksel	
3	107143069	6	SNAP TERMINAL 2 POL	
4	301002165	1	CABLE CLAMP TERMINAL 5POL WAGO 222-415	
5	107143074	1	E-BOX	
6	3803764	1	Pakdåse Tet 5-7C	
7	3803772	1	CABLE GROMMET TET 7-10C	
8	107143075	1	MOTOR CABLE 5G1.5 FOR 3~	[1]
8	107143076	1	MOTOR CABLE 5G1.5 FOR 1~	[2]
8	107143071	1	MOTOR CABLE 5G2.5 FOR STAR/DELTA	[3]
8	107143129	1	MOTOR CABLE 4G4 DELTA MH5-6-7	[4]
9	107143069	1	SNAP TERMINAL 2 POL	[5]
10	107143158	1	TERMINAL BLOCK 4-POL 10MM2	[6]

## Part Notes:

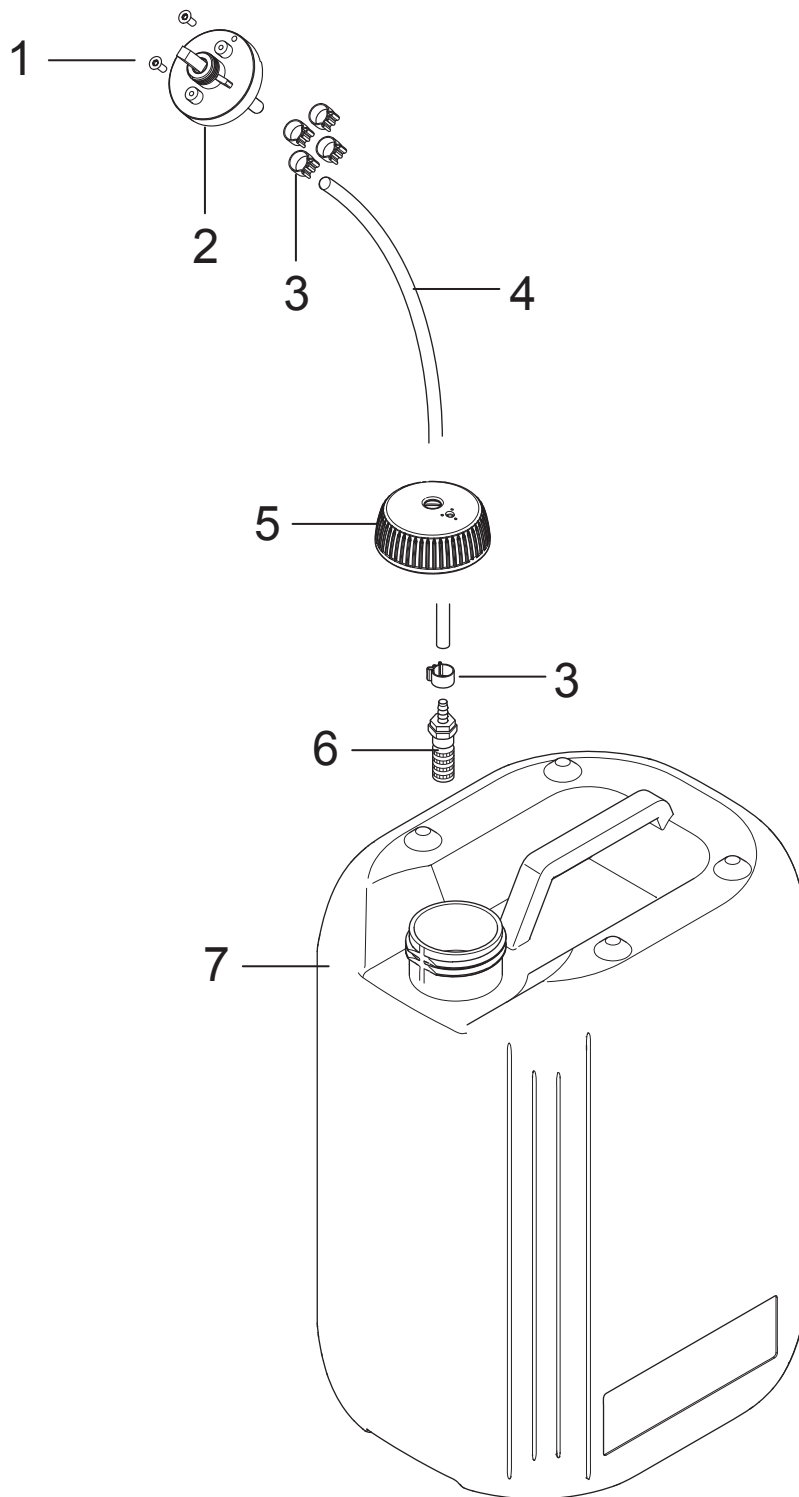
- [1] - MH4, MH5-200
- [2] - MH4 1ph, MH5 1ph
- [3] - MH4 (JP), MH5 (not MH5-200), MH6, MH7
- [4] - MH6 JP, MH7 JP
- [5] - 1~
- [6] - MH5-6-7 - Delta, JP



Pos.	Vare-nr	Antal	Beskrivelse	Notes
1	107143034	1	FUEL TANK LID - RED	
2	107144862	1	STRAINER Ø49,5X140	
3	107143136	1	Fuel Tank 30L	
4	301001133	6	Slangeklemme Ø10/7	
5	301002926	1	Filter	
6	106408244	0.35	Slange Ø6X2.5 - 5 meter	
7	3000072	1	O-ring 10,1 x 1,6 Nitril	
8	6180906	1	Prop m. o-ring	[1]
9	107143033	1	LEVEL SENSOR FUEL TANK	
10	107143164	1	BEND PROTECTOR	[2]

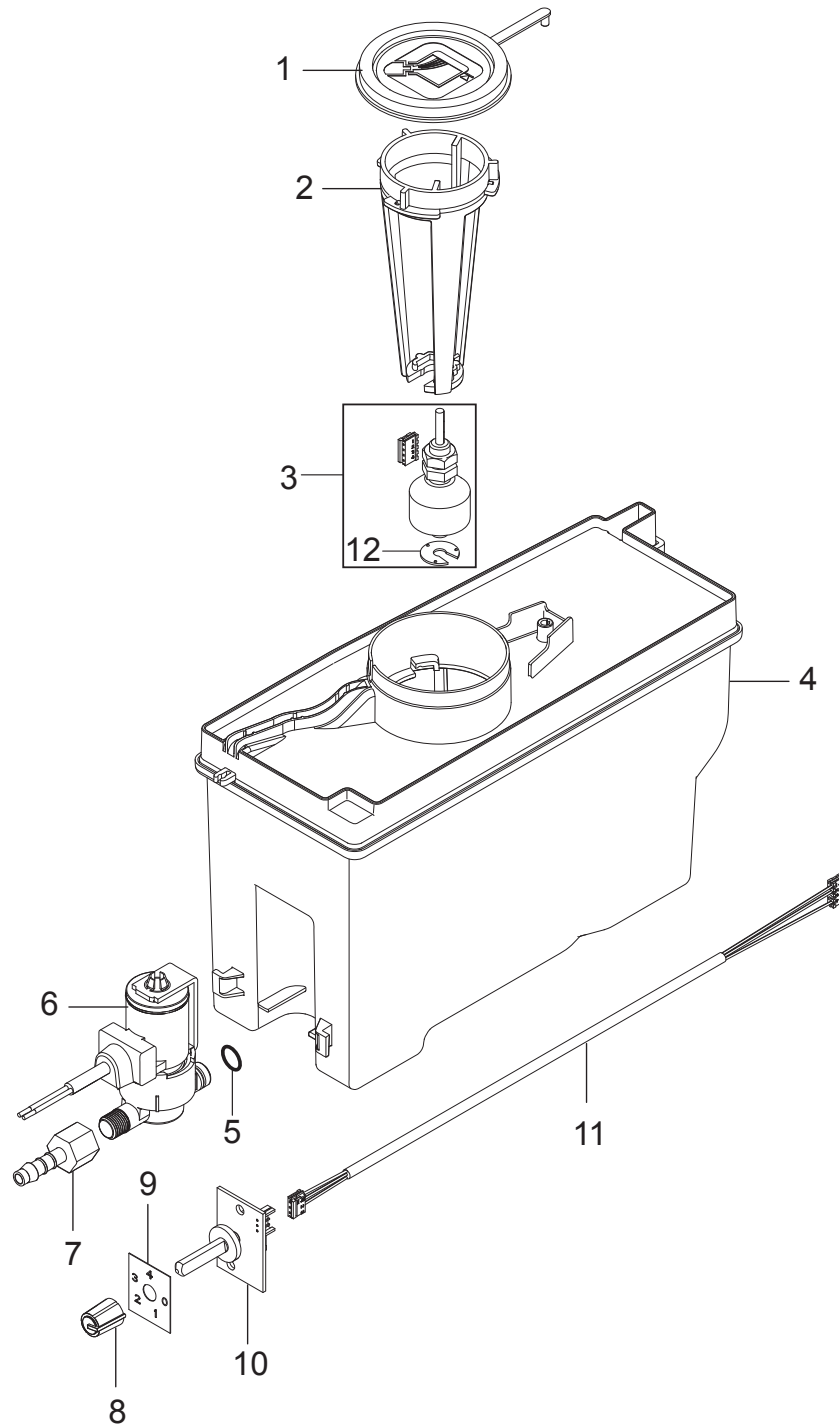
## Part Notes:

- [1] - STOCK COVERS GUARANTEE
- [2] - DE TSB-PPW-2017-006 MH 3, 4, 5, 6, 7 Kraftstoffschlauch kann durch zu st...  
TSB-PPW-2017-006 MH 3, 4, 5, 6, 7 Fuel hose can bend and block for fuel



---

Pos.	Vare-nr	Antal	Beskrivelse	Notes
1	1814730	2	SCREW 35X10B W1423	
2	301001000	1	Doserventil	
3	301001133	8	Slangeklemme Ø10/7	
4	106408243	1	HOSE 1/4INCH TRANSPARENT - 5 METERS	
5	107141664	2	CAP FOR DETERG. TANK WITH VALVE MOUNTED	
6	107145440	2	Strainer Valve Compl. Kit	
7	80518	1	Plastdunk 10 liter	

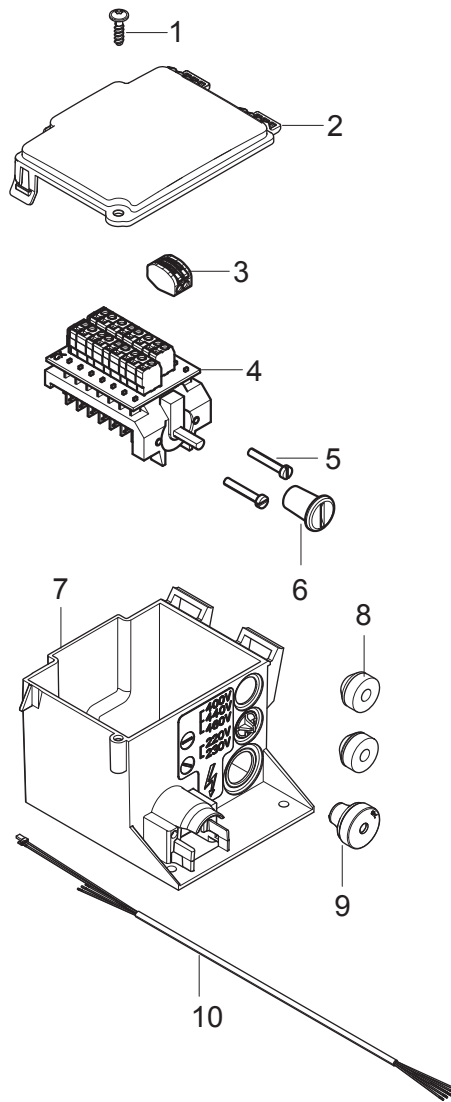


Pos.	Vare-nr	Antal	Beskrivelse	Notes
1	45646	1	COVER	
2	107143040	1	LEVELSENSOR BRACKET FOR ANTISCALE	
3	101118214	1	FLOAT SWITCH KIT	
4	107143041	1	ANTISCALE TANK CPL.	
5	31001036	1	O-RING 6X2 NBR 70SH	
6	107143037	1	DOSING VALVE RPE 24VAC	
7	107143036	1	HOSE FITTING D6X1/8 PA	
8	107318222	1	PUSH-ON KNOB 11MM/6MMD/WH	
9	107143042	1	LABEL FOR ANTISCALE	
10	101117780	1	PCB FOR POTENTIONMETER	
11	107143038	1	CABLE FOR ADJUSTMENT ANTI SCALE	
12	107142593	1	HOLDING WASHER PE	[1]

Part Notes:

- [1] - TSB-PPW-2016-017 Locking ring for oil level switch falling off

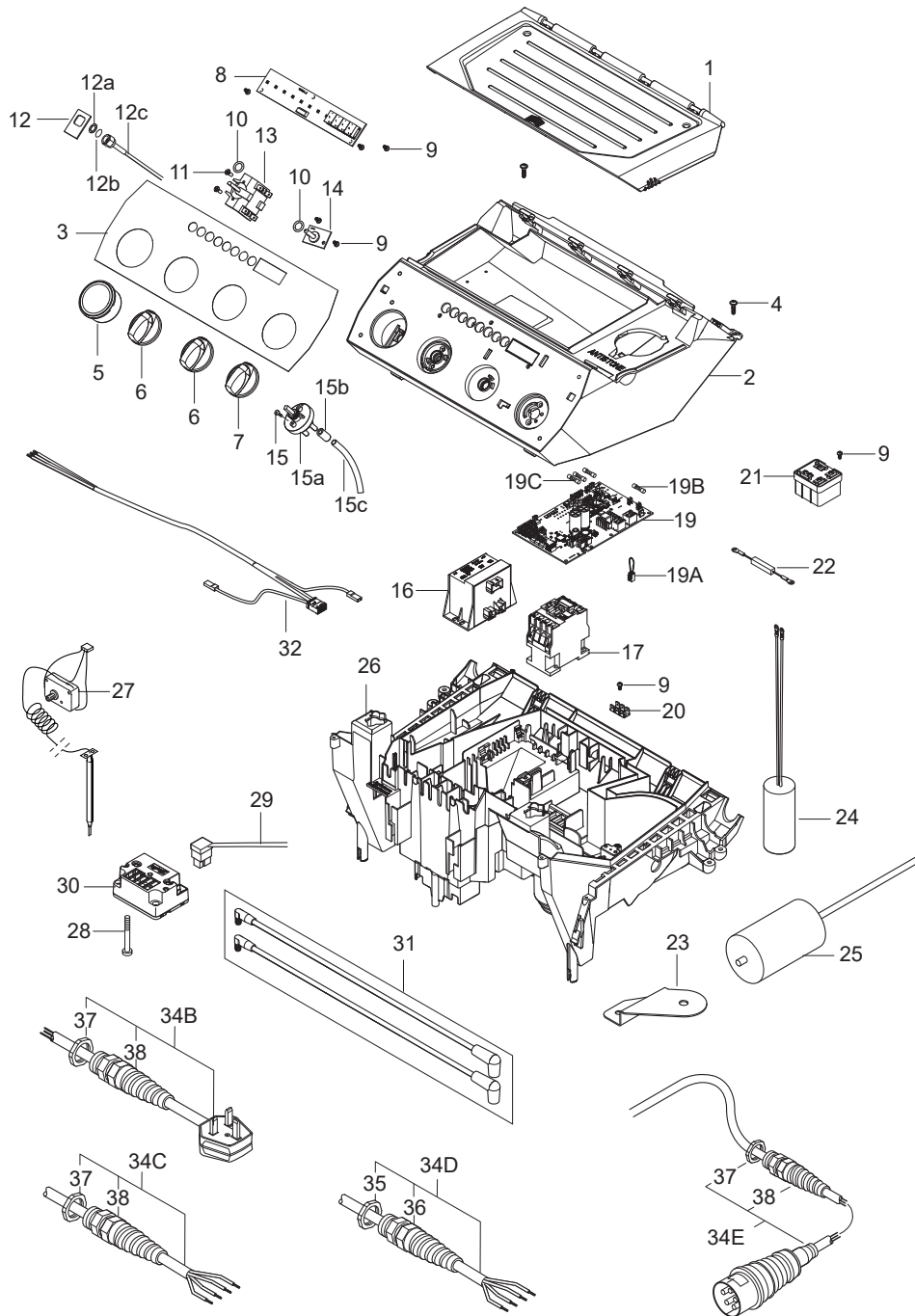




Pos.	Vare-nr	Antal	Beskrivelse	Notes
1	107141838	1	SCREW K50X18 WN1451 BLACK TORX20	
2	301000782	1	Dæksel	
3	107143069	1	SNAP TERMINAL 2 POL	
4	107143073	1	PCB SWITCH STAR/DELTA	
5	101117739	2	SCREW HEX M4X22-8.8 A2K DIN912	
6	64580	1	ROTARY KNOB	[1]
7	107143074	1	E-BOX	
8	3803764	2	Pakdåse Tet 5-7C	
9	3803772	1	CABLE GROMMET TET 7-10C	
10	107143071	1	MOTOR CABLE 5G2.5 FOR STAR/DELTA	

## Part Notes:

- [1] - TSB-PPW-2016-007 Rotary knob for Voltage selector switch 230V-400V must be sealed with lacquer  
DE TSB-PPW-2016-007 Drehknopf des Spannungsauswahlschalters 230V-400V muss mit Lack versiegelt werden

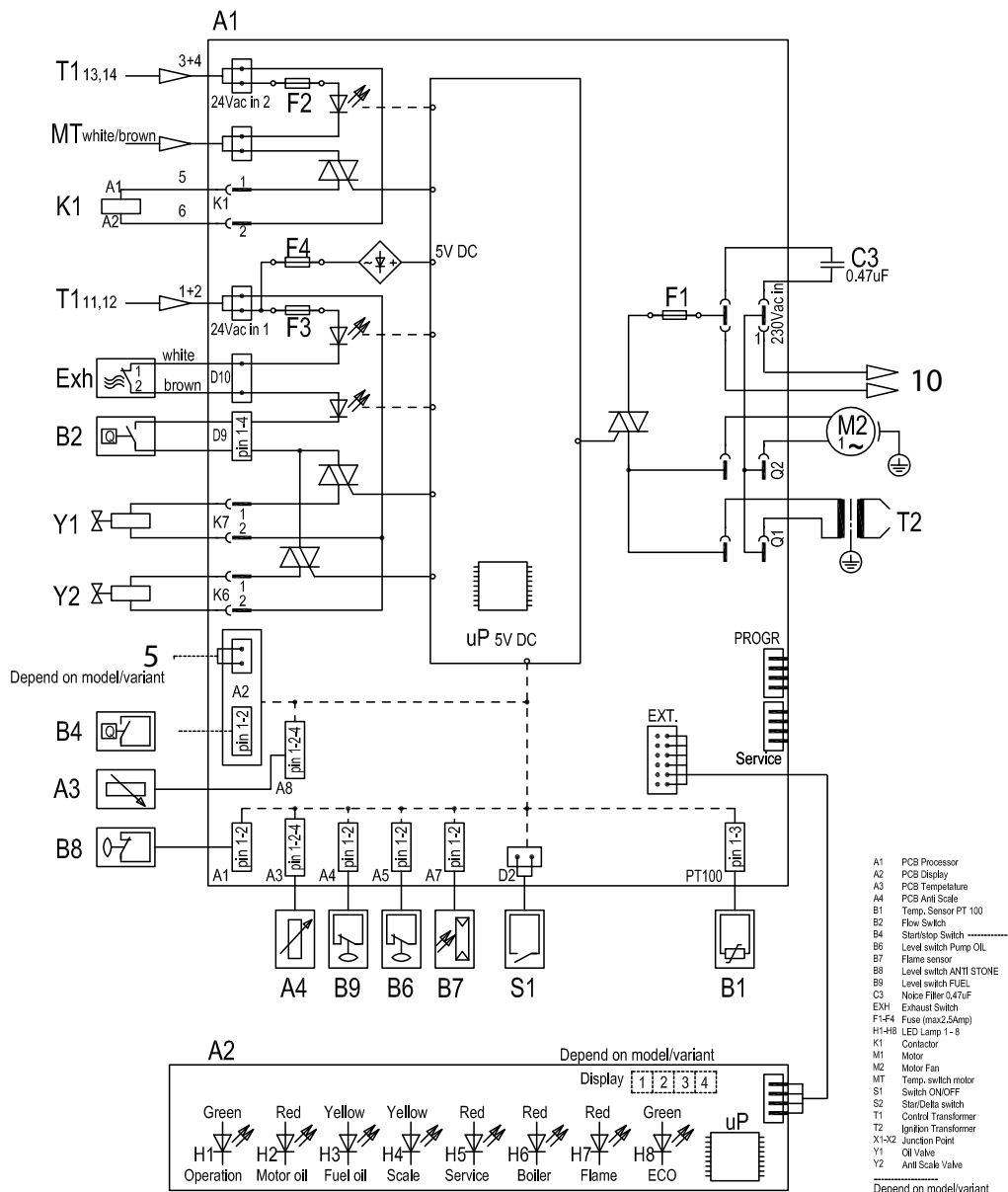


Pos.	Vare-nr	Antal	Beskrivelse	Notes
1	107143046	1	TOOL BOX LID	
2	107143045	1	E-BOX TOP	
3	107143153	1	LABEL F. CONTROL PANEL FULL SPEC NILFISK	
4	107141838	2	SCREW K50X18 WN1451 BLACK TORX20	
5	107141648	1	MANOMETER 0-300 BAR - 1/4"	
6	909100204	2	Drejeknap	
7	909100214	1	Drejeknap Gr.1 4Kt	
8	107143154	1	PCBA NEO UI DISPLAY CPL. MH	
9	909100046	5	SCREW 4X8	
10	9868	2	O-ring 10.0X2.5	
11	18274	2	Skruer M4X12	
12	107141650	1	PLATE FOR MANOMETER	
12a	107141651	1	WASHER M12 13X24X2.5 A2 DIN125	
12b	31000508	1	O-RING NBR	
12c	102406647	1	Slange	
13	28877	1	Switch	
14	101117730	1	PCB FOR POTENTIOMETER	
15	1814730	2	SCREW 35X10B W1423	
15a	301001000	1	Doserventil	
15b	301001906	1	Lukkekappe	
15c	106408243	1	HOSE 1/4INCH TRANSPARENT - 5 METERS	
16	107143051	1	POWER TRANSFORMER 230/400V 2X24V	
16	107143064	1	POWER TRANSFORMER 220-240V/440-460V	
16	107143068	1	POWER TRANSFORMER 115 / 200V	
17	103822306	1	Contacteur Cjx2-D18-B7 24V	[1]
17	103822313	1	Contacteur 12-25A 50/60Hz 24V	[2]
17	103822317	1	Contacteur Cjx2-D32-B7 24V	[3]
19	107143151	1	PCBA MH	[4]
19A	101221031	1	JUMPER F. SERVICE TIME RESET (106420063)	
19B	31001190	1	FUSE 6.3A 5X20 MM 250V	
19C	15846	3	Sikring 2,5A	
20	107307326	1	EARTH CONNECTOR 6 PIN	
21	107142761	1	START RELAY RVA4G0C	
22	107141730	1	DISCHARGE RESISTOR 15KOHM/7W	[5]
23	107143134	1	BRACKET FOR CAPACITOR	[5]
24	107143182	1	CAPACITOR 70UF 450/500V RP-3	[6]
25	107141619	1	CAPACITOR 170MF	[5]
26	107143062	1	E-BOX BOTTOM	
27	106268028	1	Exhaust Safety Thermostat Kit	
28	909100149	2	Skruer 5X50	
29	107143098	1	PRIMARY CABLE FOR IGNITION COIL	
30	101117759	1	Tændtransformer 220-240V	[7]
31	101118220	1	2 X IGNITION CORDS KIT	
32	107143056	1	CABLE FOR POWER TRAFO PRIM 230V	
32	107143063	1	CABLE FOR POWER TRANSFORMER PRIM 400V	
32	107143072	1	CABLE F. POWER TRANSFORMER PRIM 230/400	
34B	101117812	1	POWER C.H07RN 3G1.5 BS13 GDN 6.3X0.8 KIT	[8]
34C	101118182	1	POWER CORD H07RN 4G2.5X6M GND 6.3X0.8 NO	[9]
34D	107143126	1	POWER CORD 4X5.5MM2 X9M	[10]
34E	101118222	1	POWER CORD H07RN 4G1,5 CEE5	[11]
35	909100198	1	SCREWED CABLE GLAND M25X1.5	
36	909100020	1	Hexagon Thin Nut M25X1.5 En 50262 P	
37	909100019	1	Møtrik	
38	909100043	1	Kabelafastning	

## Part Notes:

- [1] - MH5M-100/760 UK, MH5M-200/960 EU, MH5M-210/1100 EU,  
MH6P-175/1250 EU, MH6M-200/1300 EU, MH7P-180/1260 EU
- [2] - MH5M-210/1100 NO, MH7P-180/1260 NO, MH8P-180/2000 EU

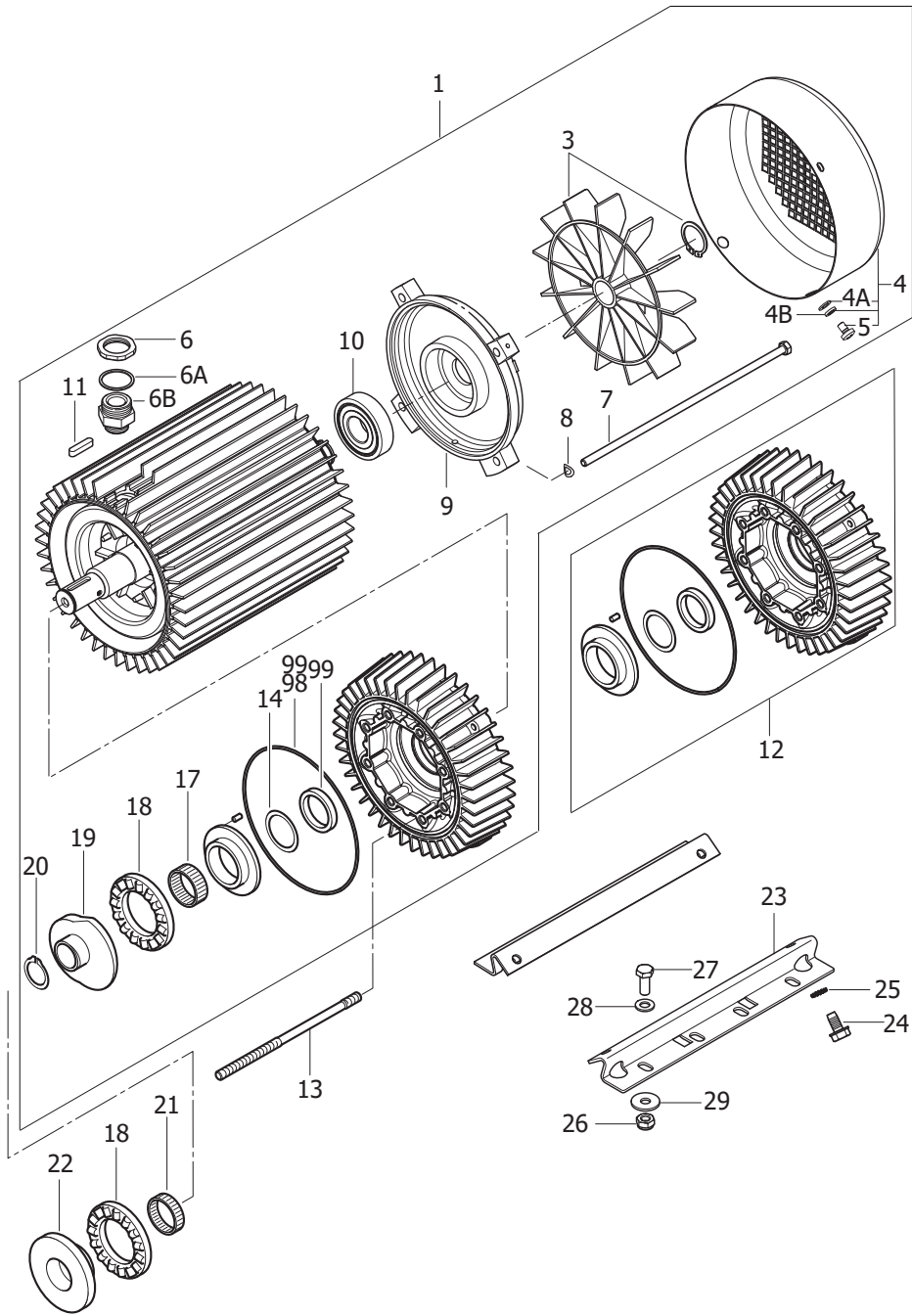
- [3] - MH5M-210/1100 EXP, MH6P-200/1300 NO, MH6P-210/1100 JP, MH6P-210/1300 EXP, MH7P-180/1260 JP
- [4] - TSB-PPW-2018-014 MH models Software update  
DE TSB-PPW-2018-014 MH-Modele Software Update
- [5] - 1ph
- [6] - 1ph  
  
TSB-PPW-2018-003 MH\_MC change of start relay and run capacitor  
TSB-PPW-2018-003 MH\_MC Changement du relais de démarrage et du condensateur de fonctionnement
- [7] - TSB-PPW-2018-004 Boiler cannot start - no ignition  
FR TSB-PPW-2018-004 Le bruleur ne démarre plus  
DE TSB-PPW-2018-004 Brenner startet nicht - keine Zündung
- [8] - MH5M-100/760 UK
- [9] - MH 5M-210/1100 EXP+NO, MH6P-200/1300 EXP+NO, MH7P-180/1260 NO
- [10] - MH6P-210/1100 JP, MH7P-180-1260 JP
- [11] - MH5M-200/960 EU, MH5M-210/1100 EU, MH6P-175/1250 EU, MH6P-200/1300 EU, MH7P-180/1260 EU



Pos.	Vare-nr	Antal	Beskrivelse	Notes
T1	107143052	2	CABLE FOR POWER TRANSFORMER SEC 6X0.75	
MT	107143070	1	CABLE FOR MT	
K1	107143052	1	CABLE FOR POWER TRANSFORMER SEC 6X0.75	
Exh	107143055	1	CABLE FOR HOT WATER MODE AND EXH. SWITCH	
B2	107143121	1	REED SWITCH NO W/CABLE	
Y1	107143095	1	CABLE FOR SOLENOID VALVE 2X0.5	
Y2	107143037	1	DOSING VALVE RPE 24VAC	
5	101118188	1	MICRO-SWITCH KIT	[1]
B4	107143121	1	REED SWITCH NO W/CABLE	[2]
A3	107143043	1	CABLE FOR TEMPERATURE ADJUSTMENT	
B8	101118214	1	FLOAT SWITCH KIT	
A4	107143038	1	CABLE FOR ADJUSTMENT ANTI SCALE	
B9	107143033	1	LEVEL SENSOR FUEL TANK	
B6	101118173	1	OIL SENSOR W/PLUG KIT	[3]
B7	107143100	1	FLAME SENSOR WITH CABLE	
S1	107143055	1	CABLE FOR HOT WATER MODE AND EXH. SWITCH	
B1	107143083	1	TEMPERATUR SENSOR PT100 W/CABLE	
A2	107143053	1	CABLE FOR UI	
T2	107143098	1	PRIMARY CABLE FOR IGNITION COIL	
M2	107143096	1	MOTOR BURNER - 0.23KW/230V/50HZ/1PH	[4]
M2	107143097	1	MOTOR BURNER 390W/200-240V/50/60HZ	[5]
10	107143054	1	WIRE BLACK L=400	
C3	101117867	1	NOISE FILTER KIT	

## Part Notes:

- [1] - NA5 PA
- [2] - FA
- [3] - MI 107309166 JST Connector
- [4] - MH 5M-210/1100 FA 400/3/50 Gerni, MH 5M-210/1100 FAX 400-230/3/50 NO, MH 6P-175/1250 FAX 400/3/50 EUMH 6P-200/1300 FAX 400/3/50 EU, MH 7P-180/1260 FA 400/3/50 EU
- [5] - MH 5M-210/1100 FA 440-220/3/60 EXPT, MH 6P-210/1100 FA 200/3/50-60 JP, MH 6P-195/1350 FA 440-220/3/60 EXPT, MH 7P-180/1260 FA 200/3/50-60 JP

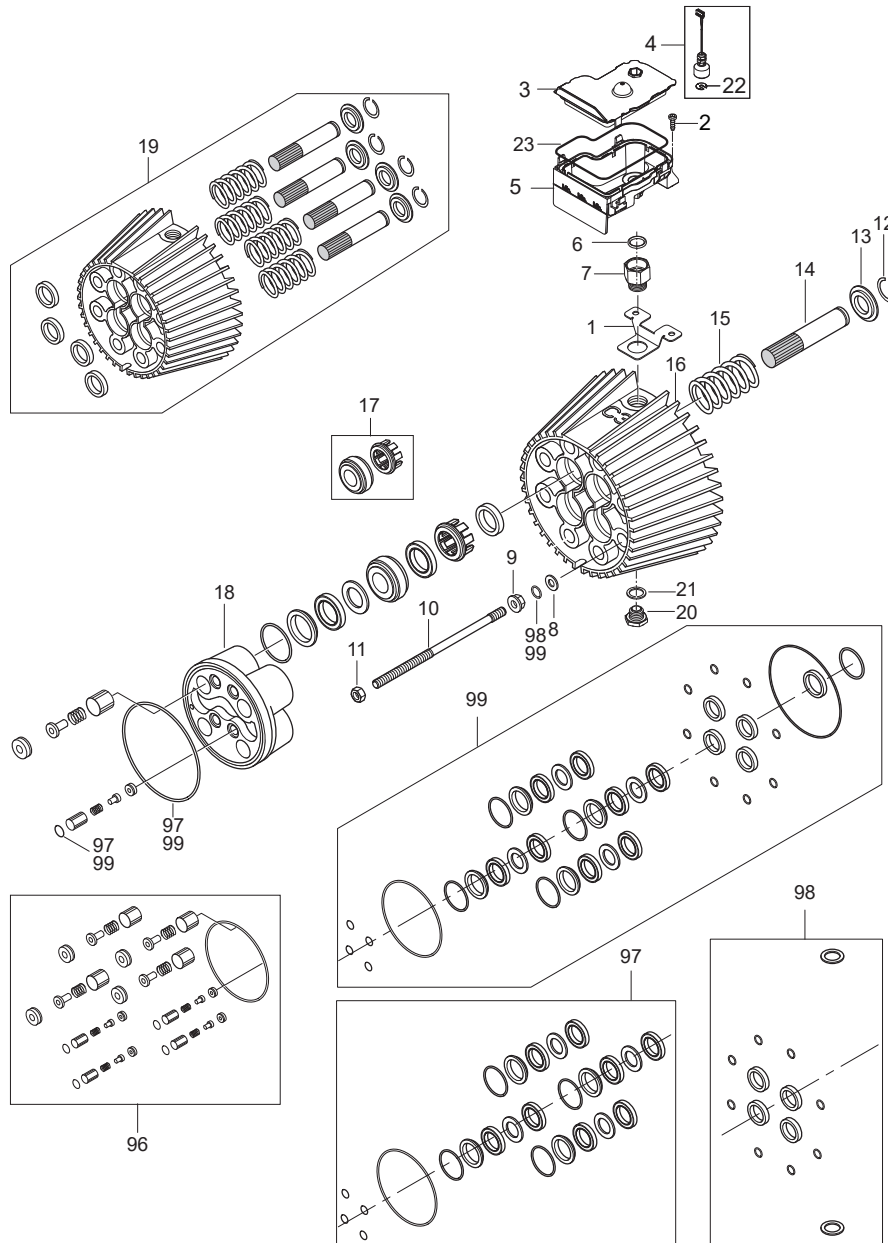




Pos.	Vare-nr	Antal	Beskrivelse	Notes
	31001229	1	OIL ISO 150 ALPHASYN-T 20L	
0	5218433	1	Pumpeolie ISO 150 (1 liter)	
1	101118225	1	MOTOR 6.5KW 200 3 60 KIT	
1	101118226	1	MOTOR 6.5KW 400 415 230 3 50 KIT	
1	101118227	1	MOTOR 6.5KW 200 3 50 KIT	
2		1	Shaft retaining ring Ø28x1.2	
3	107142275	1	FAN AND RETAINING RING	
4	107142276	1	COVER FOR FAN	
4A		4	Plain washer M5 DIN125A galv	
4B		4	Lock washer M5 DIN 7980 A zinc plated	
5	1813781	2	SCREW M5X8	
6	20862	1	Møtrik	
6A	103004340	1	Pakning	
6B	107302152	1	Bøsning	
7	31000493	4	STAY BOLT 306 MM	
8	1801182	4	Fjederskive M8	
9	107142277	1	REAR BEARING COVER	
10	31000149	1	Leje, Rf	
11	3200672	1	Feder	
12	107140615	1	Front Bearing Cover Compl Ete	
13	6301368	8	Stagbolt	
14	6100995	1	Skive	
17	3200656	1	Nåleleje Ina K 40X46X17	
18	3200615	2	Rulleleje	
19	107120710	1	Skråskive 6	[1]
19	107120716	1	Skråskive 12	[2]
20	1802511	1	Seegerring U 28 X 1,5	
21	3200664	1	Nåleleje	
22	107120704	1	Lejeskive	[3]
23	107142071	2	MOTOR BRACKET C3 POSEIDON 7	
24	107140908	4	SPECIAL SCREW M10x20 F. C3 BRACKET SPARE	
25	10204	8	SERRATED LOCK WASHER A10	
26	8952	4	Møtrik Sekskantet M10	
27	1801133	4	Sætskrue M10X25	
28	2767	4	Pakning 10,5X2	
29	4827	4	WASHER 10.5X2.5	
98	1119820	1	Rep. sæt oiletætning 03	
99	1119570	1	Rep. sæt pakninger C3	

## Part Notes:

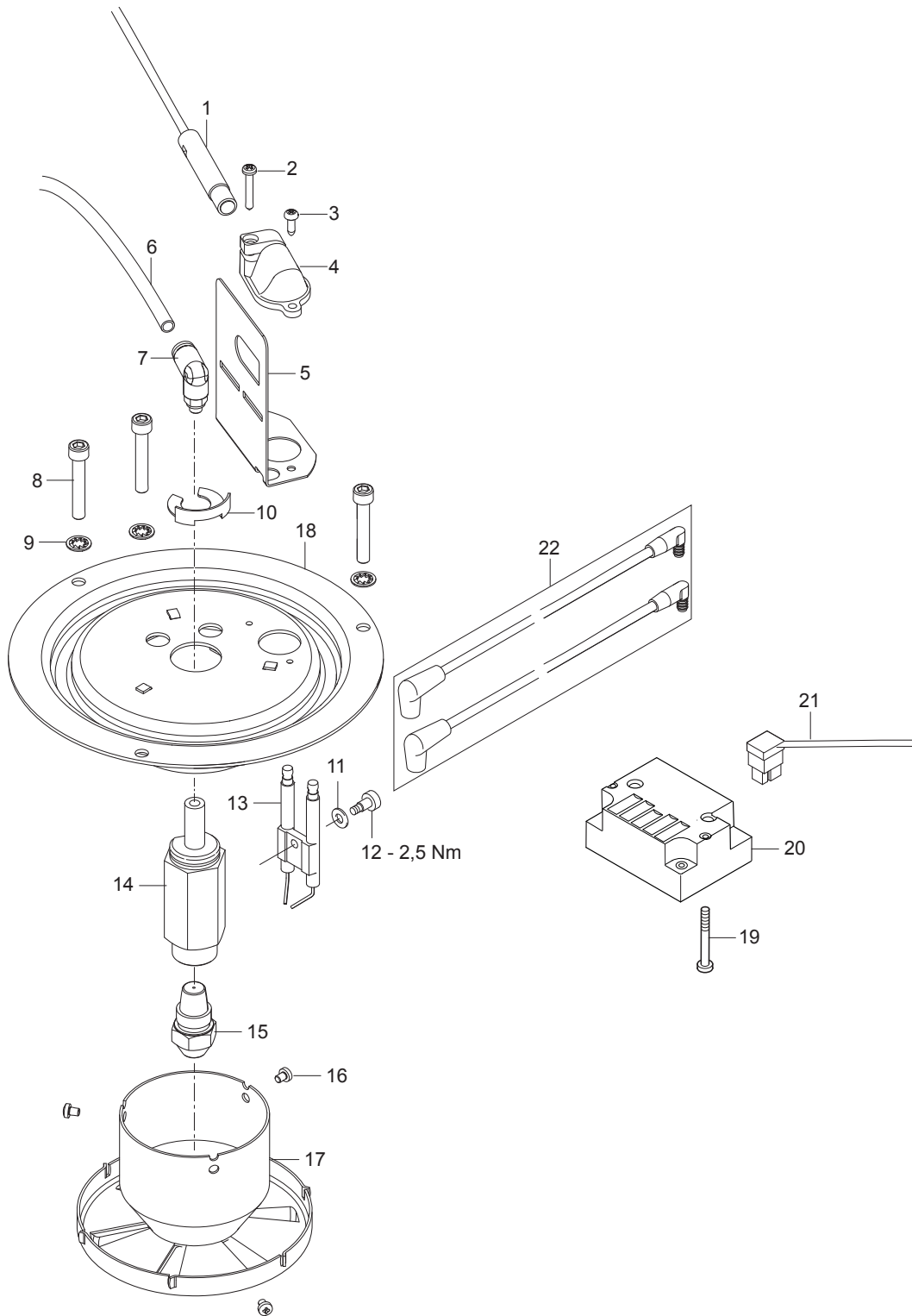
- [1] - TSB-PPW-2019-007 C3 NA6 Wobble Disc and Bearing Track surface hardening change  
Machine no. 107146985 MH 7P-180/1260, 107146986 MH 7P-3000/5,4
- [2] - TSB-PPW-2019-007 C3 NA6 Wobble Disc and Bearing Track surface hardening change  
Machine no. 107146980, 107146981, 107146982, 107146983, 107146994, 107146984 - MH 7P-180/1260
- [3] - TSB-PPW-2019-007 C3 NA6 Wobble Disc and Bearing Track surface hardening change



Pos.	Vare-nr	Antal	Beskrivelse	Notes
	31001229	1	OIL ISO 150 ALPHASYN-T 20L	
0-	5218433	1	Pumpeolie ISO 150 (1 liter)	[1]
1	107141609	1	PLATE FOR ADAPTOR FOR OIL CONTAINER C3	
2	107140881	2	SCREW M5X12 DIN 7985 TORX	
3	107140877	1	OIL CONTAINER TOP	
4	101118173	1	OIL SENSOR W/PLUG KIT	
5	107143094	1	OIL CONTAINER BOTTOM	
6	107140882	1	O-RING 15.0 X 3.0 SMS 1586 NBR70	
7	107141610	1	SCREW CONNECTION C3	
8	6100718	8	Skive F. Stagbolt	
9	6100719	8	Trykring	
10	6301368	8	Stagbolt	
11	1800465	8	Møtrik M10	
12	1802529	4	Seeger Springring	
13	6100666	4	Ring til returfeder	
14	6301166	4	Trykstempel keramik C3	
15	102602517	4	Returfeder C3K	
16	6100610	1	Cylinderblok	
17	107120700	4	Trykring & støttering (1 stk)	
17	101119850	1	Rep.Sæt Trykring/Back-Up	[2]
18	107120701	1	Cylinder	
19	6300071	1	Cylinderblok Komp.	
20	6150400	1	Bundprop	
21	106408208	1	COPPER SEALING 17X25X1.5	
22	107142593	1	HOLDING WASHER PE	
23	101406054	1	Sponge Rubber Ø4 L 1M	
96	1119310	1	Rep. sæt til ventiler	
97	1119571	1	Rep. sæt (pakningssæt, reduceret)	
98	1119820	1	Rep. sæt olietætning 03	
99	1119570	1	Rep. sæt pakninger C3	

## Part Notes:

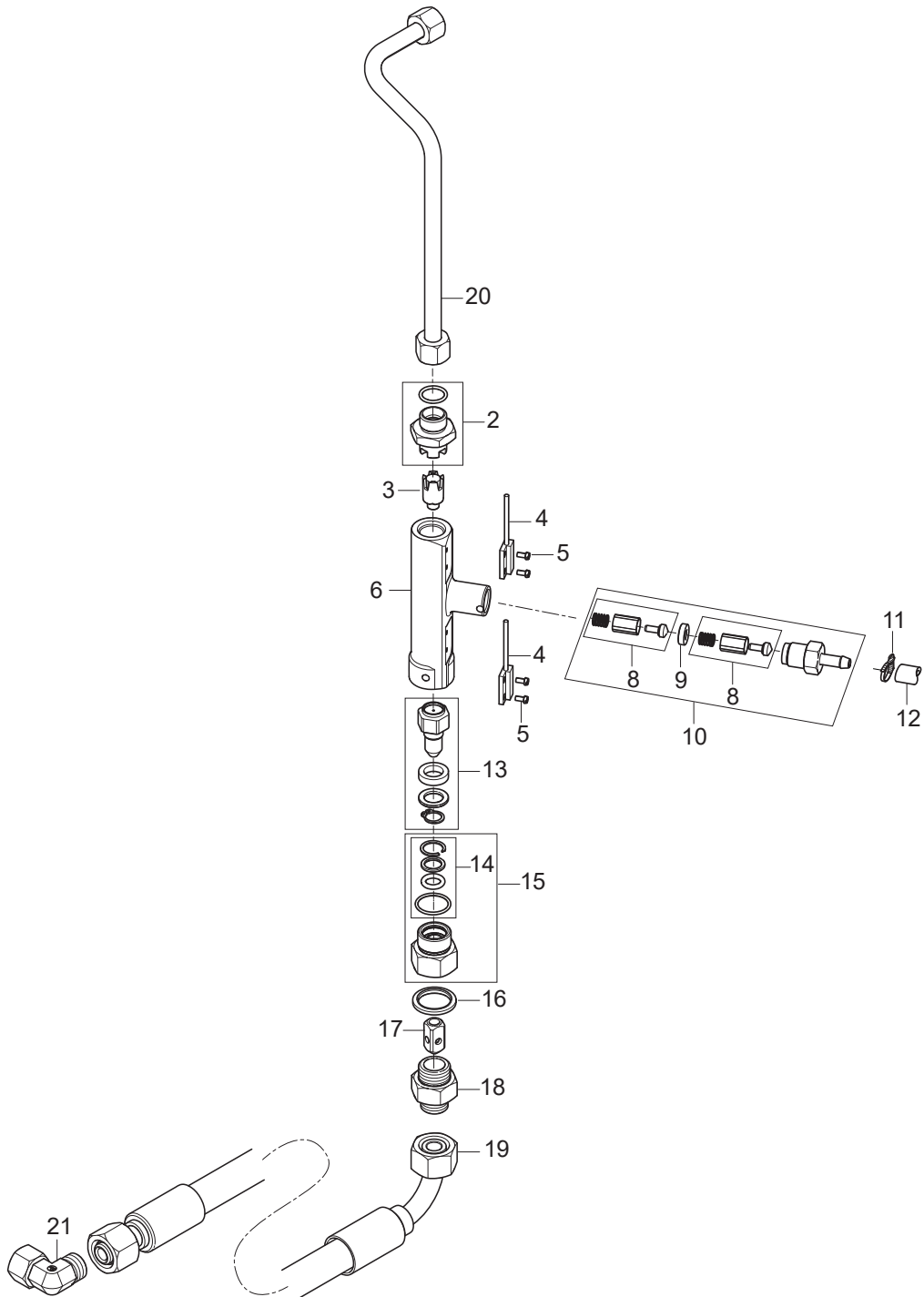
- [1] - 1,1 l. - OIL TYPES\_QUANTITY for HPW\_APRIL 2017  
 [2] - Supporting ring metal



Pos.	Vare-nr	Antal	Beskrivelse	Notes
1	107143100	1	FLAME SENSOR WITH CABLE	
2	5606	1	Metal Skrue	
3	4036	1	Skrue 2,9X9,5	
4	301000934	1	Holder Flammeføler	
5	107143101	1	SHIELD FOR FLAME SENSOR	
6	909100141	1	Slange	
7	101117913	1	Elbow 4/M5 Push-In	
8	3873	3	SCREW M5X30	
9	3376	3	Låseskive	
10	101117876	1	Circlips	
11	909100144	1	Fjederskive	
12	909100143	1	Skrue	
13	301150009	1	Tændelegtrode	
14	101117915	1	Oil Nozzle Holder	
15	101118013	1	Oliedyse 2.25 Gal/H 60	
16	51848	3	Skrue	
17	301001833	1	Luftfordeler	
18	301000606	1	Dæksel	[1]
19	909100149	2	Skrue 5X50	
20	101117759	1	Tændtransformer 220-240V	[2]
21	107143098	1	PRIMARY CABLE FOR IGNITION COIL	
22	101118220	1	2 X IGNITION CORDS KIT	

Part Notes:

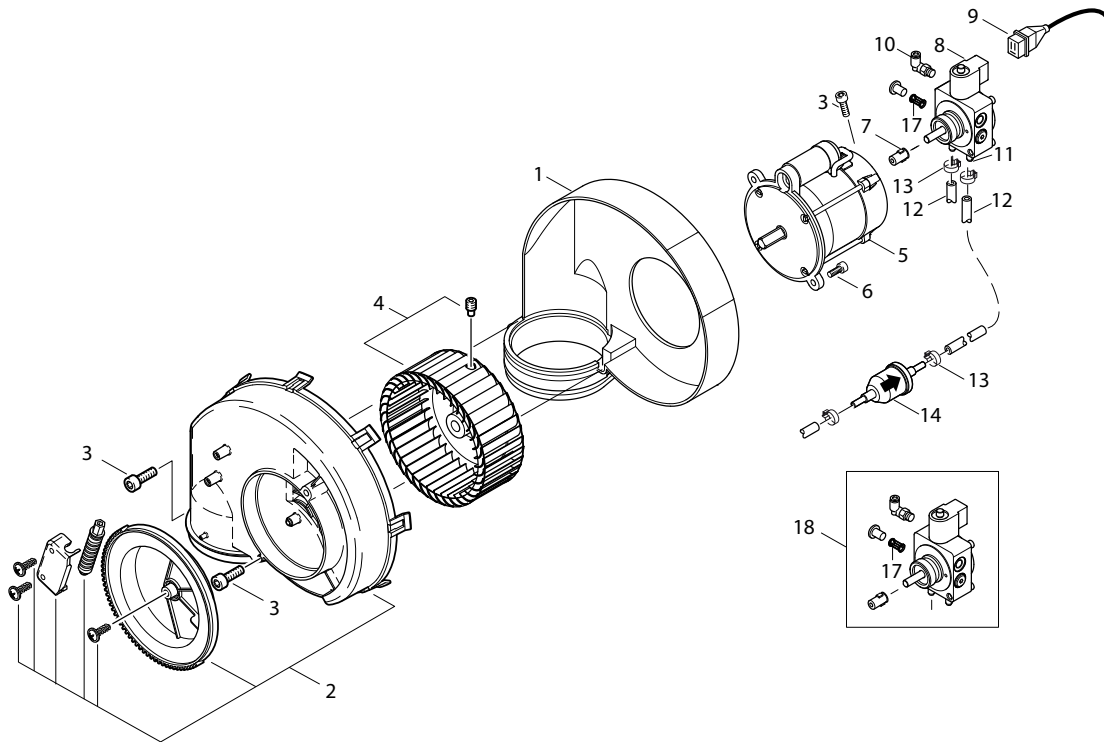
- [1] - MH5, MH6, MH7, MH8  
 [2] - TSB-PPW-2018-004 Boiler cannot start - no ignition  
 FR TSB-PPW-2018-004 Le bruleur ne démarre plus  
 DE TSB-PPW-2018-004 Brenner startet nicht - keine Zündung



Pos.	Vare-nr	Antal	Beskrivelse	Notes
2	101118190	1	MALE STUD M18X1.5 KIT	
3	101118055	1	MAGNET AND HOUSE FOR FLOW SWITCH-KIT NA6	
4	107143121	2	REED SWITCH NO W/CABLE	
5	101118033	4	Screw M3X6 Brass Din 84 Iso 1207 Kit	
6	101118308	1	FLOW CONTROL HOUSING FA	
8	1119566	2	Rep. sæt kontraventil	
9	6201535	1	Sæde til kontraventil	
10	1119318	1	Rep. sæt til kontraventil	
11	11654	2	Slangeklemme	
12	101406100	0.92	Kemislange, 5 Meter	
13	101117896	1	Non Return Valve W/Magnet	
14	101118191	1	SEALING KIT FOR MALE STUD	
15	101118230	1	MALE STUD F.NON-RET.VALVE 1/2	
16	1807932	1	Selvtættende Spændeskive	
17	6101038	1	Stempel	
18	107143155	1	PISTON HOUSING 1/2	
19	107143171	1	HP HOSE DN10 3/8 DKL/DKL 90DEG M18X1.5	
20	107143172	1	PIPE FLOW CONTROL NA6-NA6+C3/B7	
21	101118094	1	COUPLING KIT 90D ISO 8434 M18X1.5 THREAD	
19+20+21	101118293	1	HP HOSE AND CONNECTION PIPE KIT	[1]

## Part Notes:

- [1] - TSB-PPW-2018-005 MH 6\_MH 7 Pipe to flow control changed  
 DE TSB-PPW-2018-005 MH 6 MH 7 Hochdruckleitung zu der Flusststeuerung wir...  
 TSB-PPW-2018-005 MH6 et 7P, nouveau tube pour le controleur de débit

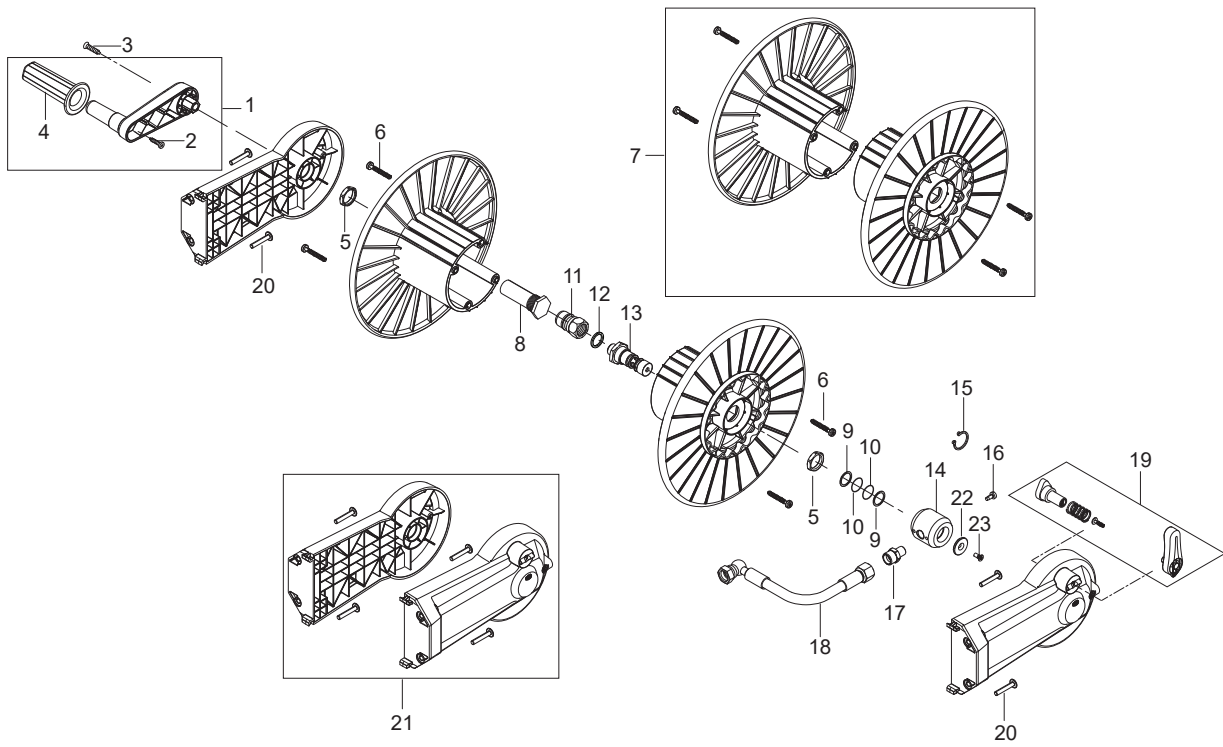




Pos.	Vare-nr	Antal	Beskrivelse	Notes
1	301000495	1	Kedelblæse Hus	
2	301000852	1	Dælsel For Kedelblæserhus	
3	32535	3	SCREW M5X16	
4	301000889	1	Kedelblæsehjul	[1]
4	301002126	1	FAN WHEEL	[2]
5	107143096	1	MOTOR BURNER - 0.23KW/230V/50HZ/1PH	[1]
5	107143097	1	MOTOR BURNER 390W/200-240V/50/60HZ	[2]
6	4697	2	SCREW M6X16	
7	101117707	1	Coupling For Oil Pump Bfa 01 L3L	
8	3821089	1	Spole (Danfoss)	
9	107143095	1	CABLE FOR SOLENOID VALVE 2X0.5	
10	101117706	1	Push-In Angle Fitting	
11	101117777	1	HOSE CONNECTIONS FOR OIL PUMP BFA 01 L3	
12	106408244	1	Slange Ø6X2.5 - 5 meter	
13	301001133	2	Slangeklemme Ø10/7	
14	301002926	1	Filter	
17	31001081	1	FILTER FOR OIL PUMP	
18	101117673	1	Oilepumpe Incl. Fittings	

## Part Notes:

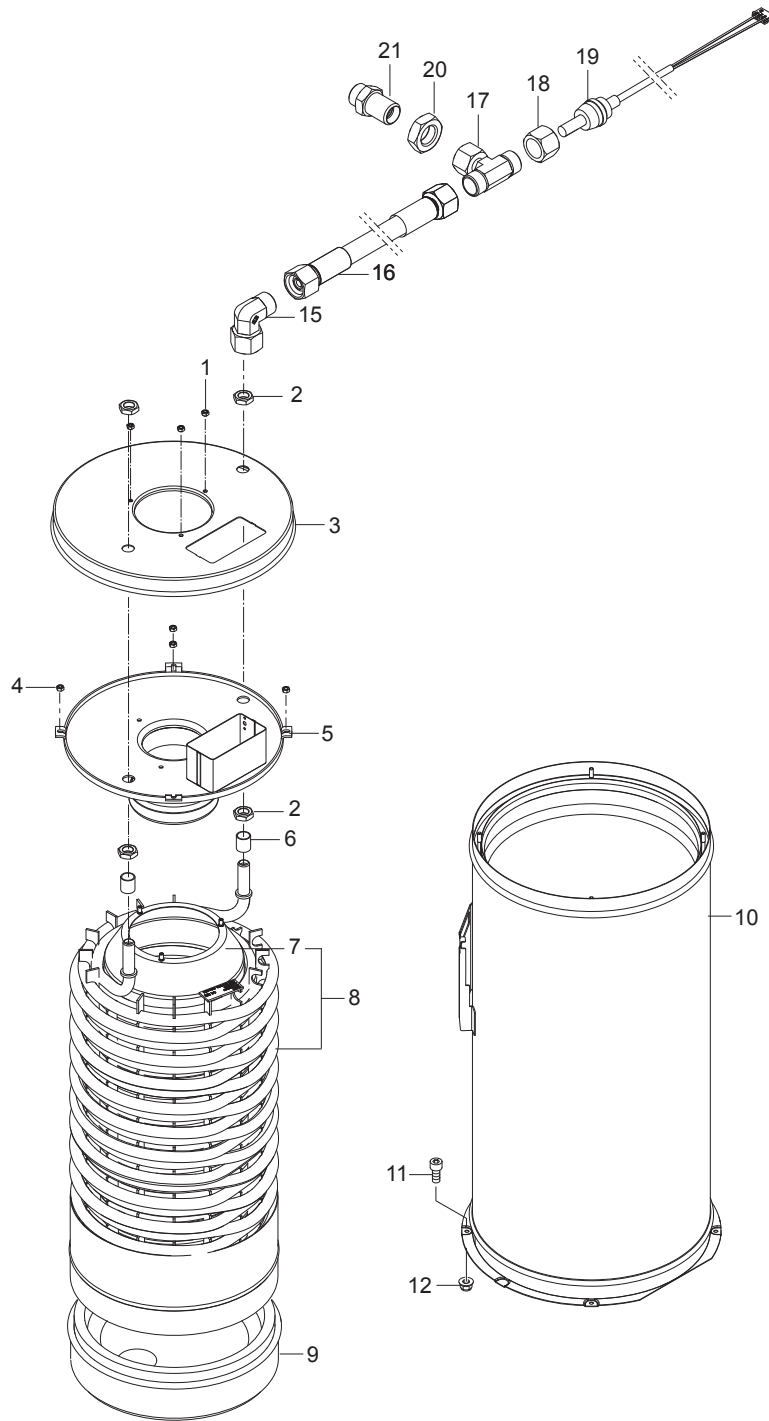
- [1] - MH 5M-210/1100 FA 400/3/50 Gerni, MH 5M-210/1100 FAX 400-230/3/50 NO, MH 6P-175/1250 FAX 400/3/50 EUMH 6P-200/1300 FAX 400/3/50 EU, MH 7P-180/1260 FA 400/3/50 EU
- [2] - MH 5M-210/1100 FA 440-220/3/60 EXPT, MH 6P-210/1100 FA 200/3/50-60 JP, MH 6P-195/1350 FA 440-220/3/60 EXPT, MH 7P-180/1260 FA 200/3/50-60 JP



Pos.	Vare-nr	Antal	Beskrivelse	Notes
0	106403184	1	Slangerulle	
1	101118215	1	HÅNDTAG SLANGERULLE	
2	107141838	2	SCREW K50X18 WN1451 BLACK TORX20	
3	107141673	1	SCREW M6X45 ISO 7380 BLACK TORX	
4	107143007	1	ROTATING HANDLE FOR HOSE REEL NILFISK	
5	62696	2	Møtrik	
6	909100153	4	Ejot-Skrue K60X40	
7	101118209	1	HOSE REEL SIDE KIT	
8	107141675	1	AXLE FOR HOSE REEL	
9	107143017	2	BACK-UP RING	
10	19620	2	O-ring	
11	1600493	1	Ergo højtryksskobling DN10 3/8" han	
12	1801075	1	Tætningsskive 3/8"	
13	107143123	1	SWIVEL FOR HOSE REEL	
14	101118317	1	BEARING BUSH KIT	[1]
15	1802057	1	Circlip external 20x1.2 Spring steel, bl	[2]
16	107141690	1	SCREW M5X12 DIN7985 TORX TAPTITE	
17	54590	2	Forskruning	
18	107143114	1	CONNECTION HOSE DN8 FOR HOSE R	
19	101118212	1	Ø20KE HANDLE FOR HOSE REEL NILFISK KIT	
20	107143010	4	SCREW M6X35	
21	101118208	1	HOSE REEL ADAPTOR KIT	
22	107143125	1	WASHER 25 FOR COUNTERSUNK M5	[3]
23	107143124	1	COUNTERSUNK M5X12 ISO 14581	[3]
		1	Mounting instr. for Hose Reel Nilfisk	[4]

Part Notes:

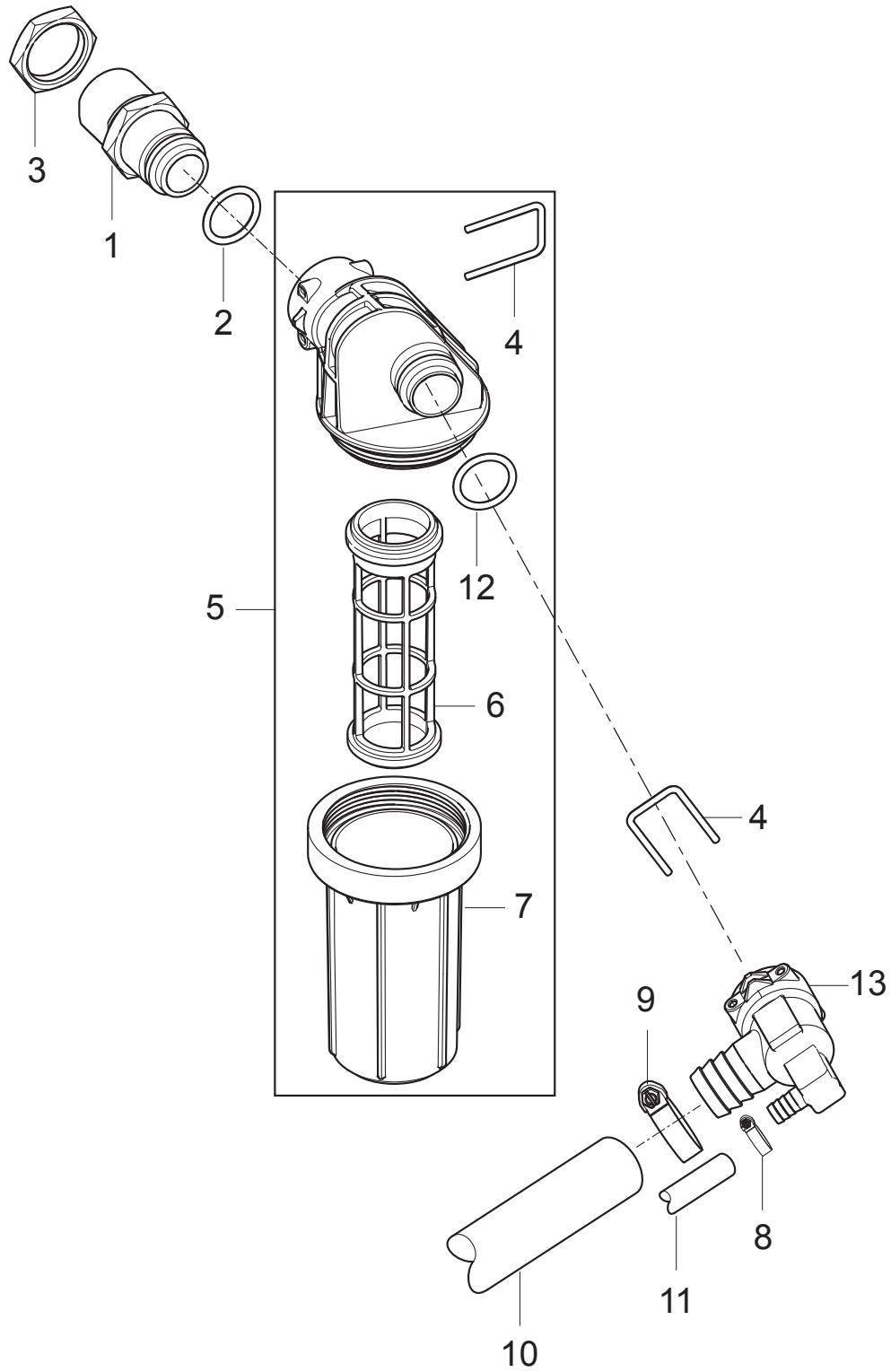
- [1] - TSB-PPW-2019-005 MH Hose Reel Screw 107143124 can break  
DE TSB-PPW-2019-005 MH Schlauchtrommel Schraube 107143124 kann brechen  
TSB-PPW-2019-005 vis cassée à l'enrouleur des MH
- [2] - Up to 07.2016
- [3] - TSB-PPW-2016-018 MH 4M Hose Reel Circlip
- [4] - Mounting instructions MH Nilfisk hose reel



Pos.	Vare-nr	Antal	Beskrivelse	Notes
0	107144780	1	HEAT EXCHANGER B7 SS, MH	
1	3136	3	Møtrik	
2	7012	4	Møtrik	
3	31001162	1	OUTER BOILER TOP B5 - B7	
4	12263	4	HEXAGON NUT M6	
5	31001166	1	INSIDE BOILER TOP CPL. B7	
6	301000582	2	BUSHING Ø22X1.5X24	
7	301000541	1	Flammerør NEPTUNE 5+7	
8	31001167	1	COIL WELDED B7	
8	107143300	1	COIL B7 SS, MH	[1]
9	301000916	1	Isolation	[2]
10	31001168	1	JACKET CPL. B7	
11	4697	2	SCREW M6X16	
12	11619	2	Møtrik M6	
15	101118094	1	COUPLING KIT 90D ISO 8434 M18X1.5 THREAD	
16	106268112	1	HP HOSE DN10 L625MM SPARE PART	
17	101118093	1	T-FITTING M18 X 1.5 THREAD	
18	1081	1	Tilslutningsmøtrik, Galv.	
19	107143083	1	TEMPERATUR SENSOR PT100 W/CABLE	
20	1803220	1	Kontramøtrik M18X1,5	
21	107143082	1	OUTLET FITTING	

## Part Notes:

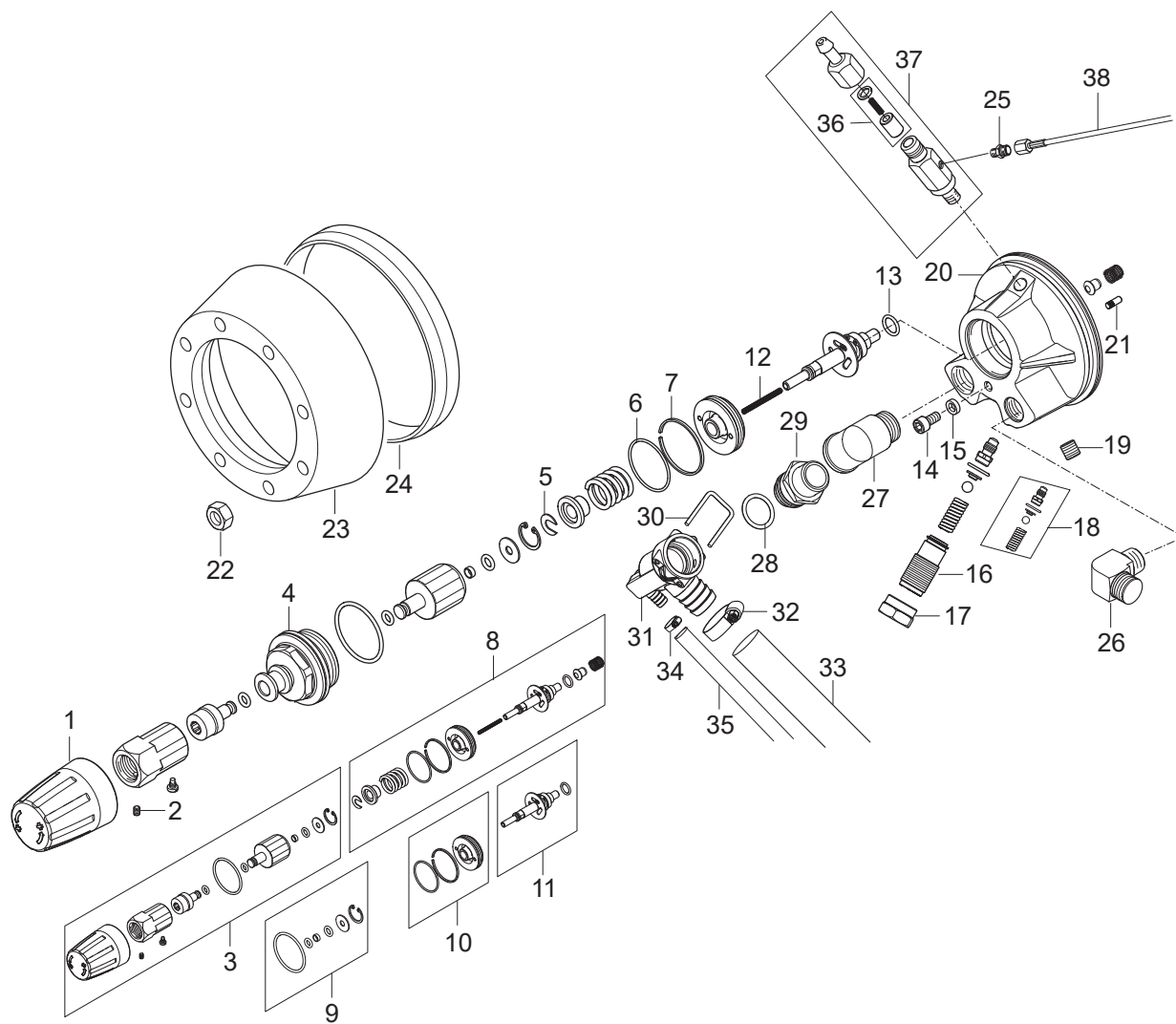
- [1] - TSB-PPW-2017-011 Stainless Steel heat exchangers new stay material and new spare part numbers  
 [2] - TSB-HPW-2021-002 Chamotte stones in insulation removed



Pos.	Vare-nr	Antal	Beskrivelse	Notes
1	107143086	1	FITTING FOR WATER INLET	
2	107143088	2	O-RING 18.72X2.62	
3	1800341	1	"Kontramøtrik 3/4"" "	
4	107143085	2	LOCK PIN	
5	107144272	1	Vandfilter komplet 5000 mm2 50µ	
6	31001100	1	FILTER CARTRIDGE WITHOUT FLANGE	[1]
7	31001011	1	Glas til vandfilter	[1]
8	11654	1	Slangeklemme	
9	8298	1	Spændebånd	
10	107143031	1	FUELFLEX HOSE D28/D20 10BAR/20°	
11	101406100	1	Kemislange, 5 Meter	
12	107143088	1	O-RING 18.72X2.62	
13	107143087	1	WATER INLET FITTING FOR FA	

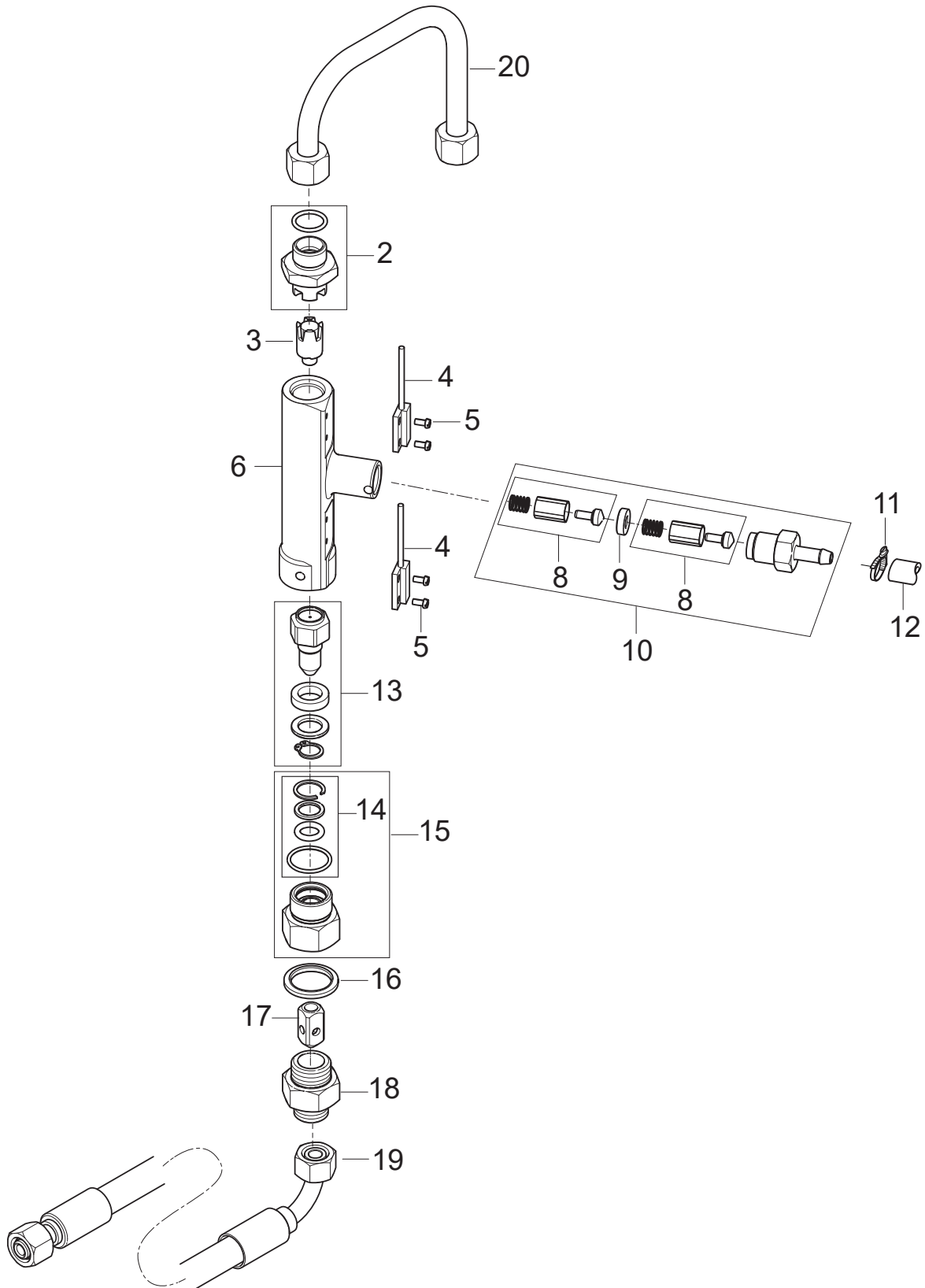
## Part Notes:

- [1] - TSB-PPW-2020-006 Water inlet filter cartridge and filter glass improved  
 DE TSB-PPW-2020-006 Wasserzulauffilter Glas und Filtereinsatz verbessert  
 TSB-PPW-2020-06 Cartouche de filtre d'entrée d'eau et bocal de filtre amélioré





Pos.	Vare-nr	Antal	Beskrivelse	Notes
1	107143183	1	REGULATOR KNOB C3 NILFISK	
2	1802602	1	Kraterskrue M4X6 Rf	
3	101118115	1	WATER REGULATION KIT C3	
4	6100984	1	Bøsning til justerspindel	
5	6101069	1	Låsering F. Fjederstyr	
6	3001716	1	O-ring 35,1X1,6 Nitril	
7	6101061	1	Stempelring	
8	1118580	1	Rep.Sæt F. Omløbsventil	
9	101119410	1	Rep. Sæt Pakninger	
10	6100925	1	Stempel til omløbsventil	
11	6400143	1	Ventilkegle	
12	2600286	1	Fjeder	
13	6441	1	O-Ring	
14	3913	1	Skruer M6X12	
15	6100985	1	Låseskive	
16	6100940	1	Justerskrue	
17	6100928	1	Kontramøtrik	
18	1118512	1	Rep. sæt sikkerhedsventil	
19	1602333	1	"Rørprop 1/8" "	
20	6101042	1	Ventildæksel	
21	6100996	1	Styrestift	
22	1800465	8	Møtrik M10	
23	6100602	1	Spændering	
24	6301392	1	Ring F. Motorpumpeenhed	
25	1821	1	Fitting	
26	1600444	1	Vinkel Ø12 x 3/8"	
27	101118178	1	ELBOW MALE/FEMALE 1/2X1/2 BRASS KIT	
28	107143088	1	O-RING 18.7X2.62	
29	107143150	1	WATER INLET MPU C3	
30	107143085	1	LOCK PIN	
31	107143143	1	WATER LIMITER XL	
32	8298	2	Spændebånd	
33	107143031	1	FUELFLEX HOSE D28/D20 10BAR/20°	
34	11654	1	Slangeklemme	
35	106408243	1	HOSE 1/4INCH TRANSPARENT - 5 METERS	
36	1119317	1	Rep.Sæt Udluftningsventil	
37	6220596	1	Udluftningsventil Komp.	
38	60141	1	Manometerslange (Højtryk)	



Pos.	Vare-nr	Antal	Beskrivelse	Notes
2	101118190	1	MALE STUD M18X1.5 KIT	
3	101118055	1	MAGNET AND HOUSE FOR FLOW SWITCH-KIT NA6	
4	107143121	2	REED SWITCH NO W/CABLE	
5	101118033	4	Screw M3X6 Brass Din 84 Iso 1207 Kit	
6	101118308	1	FLOW CONTROL HOUSING FA	
8	1119566	2	Rep. sæt kontraventil	
9	6201535	1	Sæde til kontraventil	
10	1119318	1	Rep. sæt til kontraventil	
11	11654	2	Slangeklemme	
12	101406100	0.92	Kemislange, 5 Meter	
13	101117896	1	Non Return Valve W/Magnet	[1]
14	101118191	1	SEALING KIT FOR MALE STUD	
15	101118230	1	MALE STUD F.NON-RET.VALVE 1/2	
16	1807932	1	Selvtættende Spændeskive	
17	6101038	1	Stempel	
18	107143155	1	PISTON HOUSING 1/2	
19	107143171	1	HP HOSE DN10 3/8 DKL/DKL 90DEG M18X1.5	[2]
20	107143188	1	PIPE FLOW CONTROL NA6/B5	[3]
19+20	101118322	1	HP HOSE AND CONNECTION PIPE NA6/B5 KIT	

## Part Notes:

- [1] - TSB-PPW-2016-012 MH 4M FA None return valve 101117896 get stocked  
DE TSB-PPW-2016-012 MH 4M FA Strömungskolben 101117896 blockiert
- [2] - MH5, MH 6P-175/1250, MH 6P-210/1100
- [3] - MH5, MH 6P



Pos.	Vare-nr	Antal	Beskrivelse	Notes
1	106403154	1	Ergo 2000 spulehåndtag uden logo	[1]
3	106403011	1	Tornado Plus dyserør u. dyse 100 cm	[2]
4	61369	1	Universal messing-kobling 3/4" han	
5	101119748	1	Tornado Plus dyse 1/8" 0700 Rødorange	
6	6101767	1	Højtryksslange 10 m sværtfri DN10	[3]
7	1401991	1	Højtryksslange 20 m sværtfri DN10	[4]
	106403196	1	REMOTE CONTROL 2X DETERGENT ACCESSORY	

## Part Notes:

- [1] - ERGO 2000 Spray handle
- [2] - TORNADO PLUS lance
- [3] - MH6, MH7 without hose reel  
HOSES Overview
- [4] - Accessory - with hose reel (X-tra)  
HOSES Overview

