

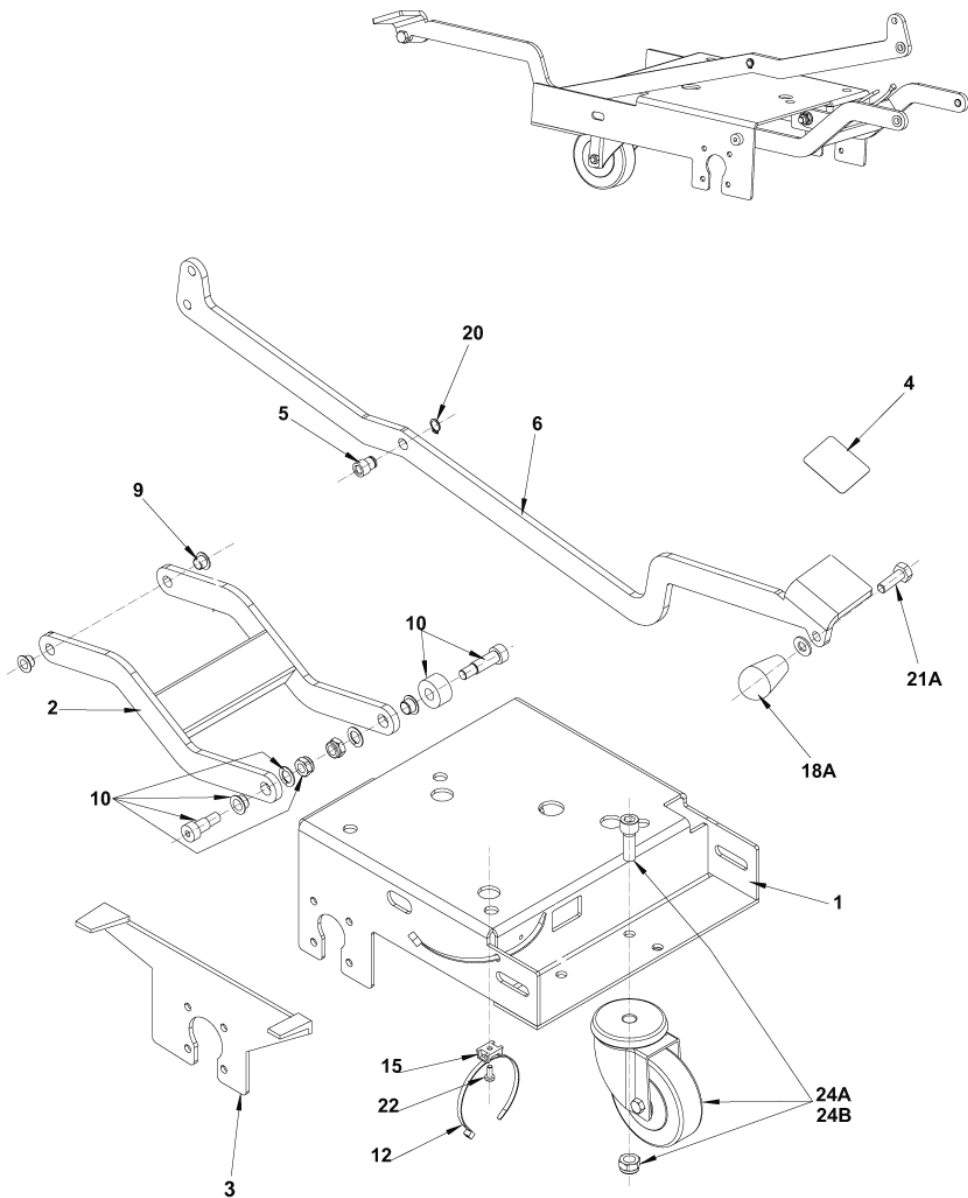
PARTS LIST



2021.10.12

TABLE OF CONTENTS

Chassis system	1
Wheels and traction	3
Handle assembly	5
Solution system	7
Squeegee system BA 551-551D-551CD	9
Squeegee system BA 611D before s.no.082115832	11
Brush system BA 551	13
Brush system BA 551D	15
Brushes system BA 551CD	17
Brushes system BA 611D	19
Accessories	21
Control panel system BA 551	23
Control panel system BA 551D-551CD-611D	25
Electrical components BA 551	27
Solution tank	29
Electrical components BA 551D-551CD-611D	31
Accessories BA 551-551D-611D	33
Accessories BA 551-551D-551CD-611D	35
Accessories BA 551D-551CD- 611D	37
Wiring diagram BA 551	39
Wiring diagram BA 551D-551CD-611D	41
Recommended spare parts	43
Recommended spare parts	45
Recommended spare parts	47
Accessories	49
Recovery tank	51
Squeegee system BA 611D after s.no.082115832	53



909 6753 000(5)2010-03

Resource notes:

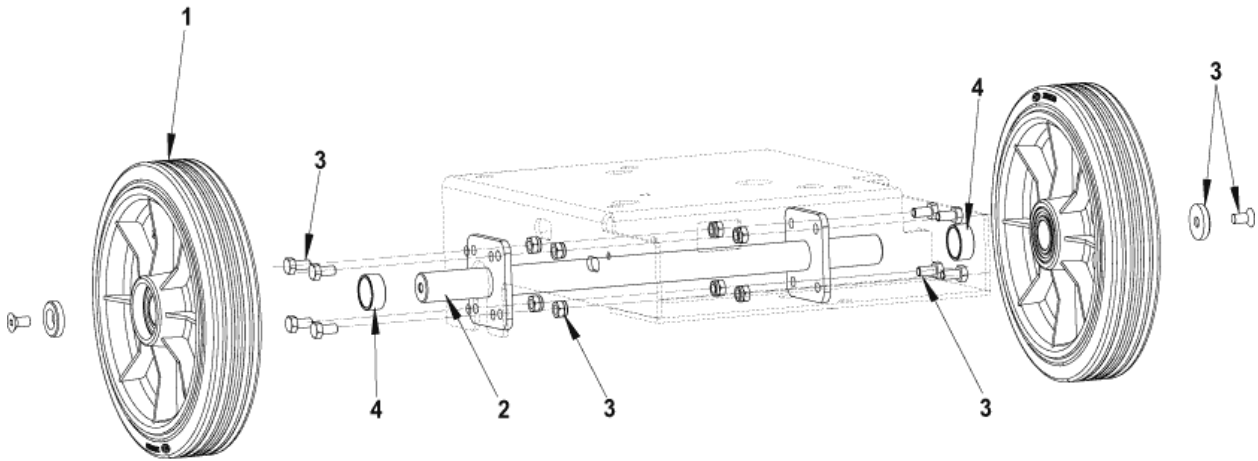
AFOR SCRUBBER WITH DRIVE BFOR SCRUBBER WITHOUT DRIVE

Pos.	Vare-nr	Antal	Beskrivelse	Notes
1	909 6481 000	1	CHASSIS	
2	909 6486 000	1	Børstedæk Ophæng BA 551Cd	
3	9098575000	1	Support Left Watert.Kit	[1]
4	909 6539 000	1	MAT.ANTISKID	
5	909 6540 000	1	BUSH FLANGED	
6	9100001782	1	PEDAL BRUSH LIFTING SIP	
9	909 6594 000	2	BEARING FLANGE IGLIDUR GFM-1012-09	
10	909 6878 000	1	Hardware Chas. Fixing Kit	
12	1466344000	1	TIE CABLE 4.8X200 BLACK 10 PCS SET	
15	909 6595 000	1	HOLDER.FLAT TIE	
18A	909 6621 000	1	Knob	
20	33006051	1	Ring D 12 UNI7435	
21A	33004010	1	SCREW M10X30 HEX HD F/THD ISO4017	
22	909 6337 000	1	SCREW M5X12 PAN HD PHIL ISO7045	
24	9098947000	1	Bløde drejhjul	[2]
24A	909 6880 000	1	Castorhjul Kit	
24B	909 6880 000	1	Castorhjul Kit	
25	9100000335	1	STRAP ANTISTATIC KIT	[3]

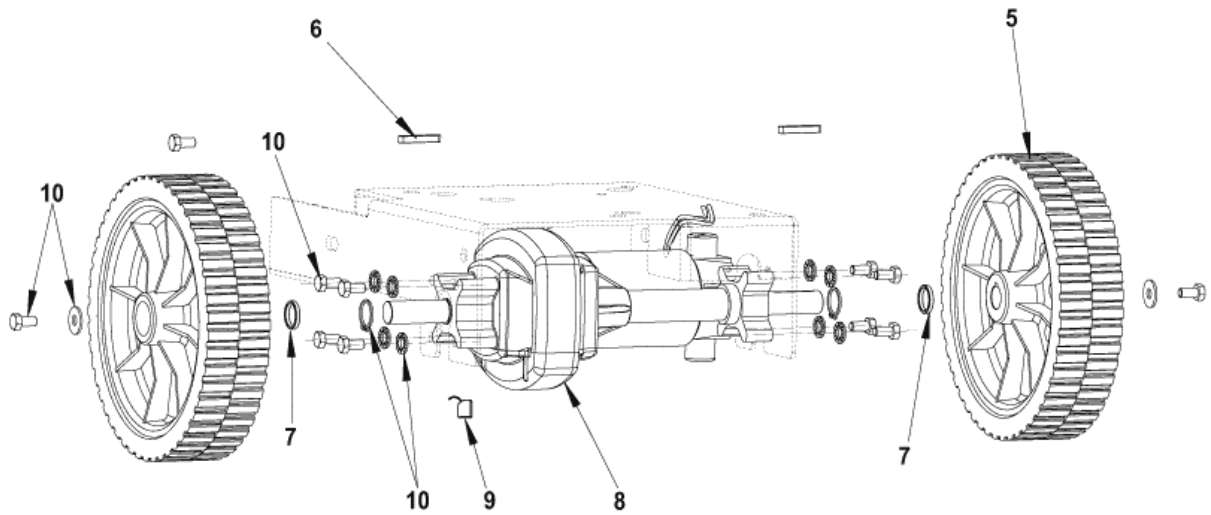
Part Notes:

- [1] - SEE TSB IT 2009-031 - SEE INST. INSTR. 9098576000
 [2] - OPTIONAL - WIDER WHELL FOR SPECIAL APPLICATIONS
 [3] - NOT SHOWN

**SENZA TRAZIONE / WITHOUT TRACTION
(BA 551)**



**CON TRAZIONE / WITH TRACTION
(BA 551 D / BA 551 DC / BA 611 D)**

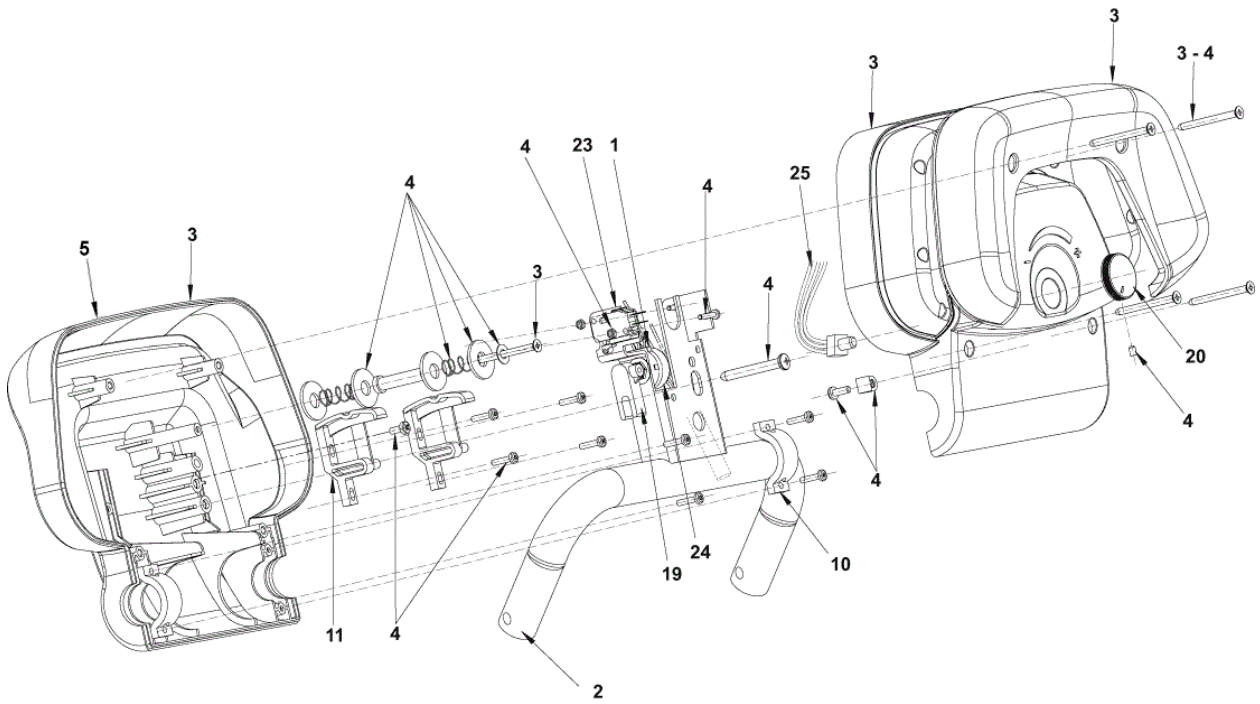


Pos.	Vare-nr	Antal	Beskrivelse	Notes
1	909 6503 000	2	WHEEL FRONT D.250	
2	9100002135	1	SHAFT WHEELS GALV. SIP	
3	9098299000	1	HARDWARE WHEELS KIT	
4	9098452000	1	HARDWARE WHEELS SYSTEM KIT	
5	9099691000	1	WHEELS KIT	[1]
5	9100000551	1	WHEELS D.250 GREY-BLACK KIT	[2]
5	9097026000	2	Trækjul, olieresistente, Ø300 mm	[3]
6	146 0769 000	2	KEY 6X6X40 UNI6604A	
7	9100001161	1	SPACER D.20.2X25 H.4 GALV. 10 PCS SET	
8	909 6548 000	1	Køremotor 200W 24V Ba450/551/611	
9	145 5124 000	2	Kul F. Aw 455 Børstemotor	
10	9098298000	1	HARDWARE DRIVE WHEELS KIT	

Part Notes:

- [1] - included 2 wheels
 [2] - GUARANTEE DATE EXPIRED
 included 2 wheels
 [3] - ITEM NO LONGER AVAILABLE

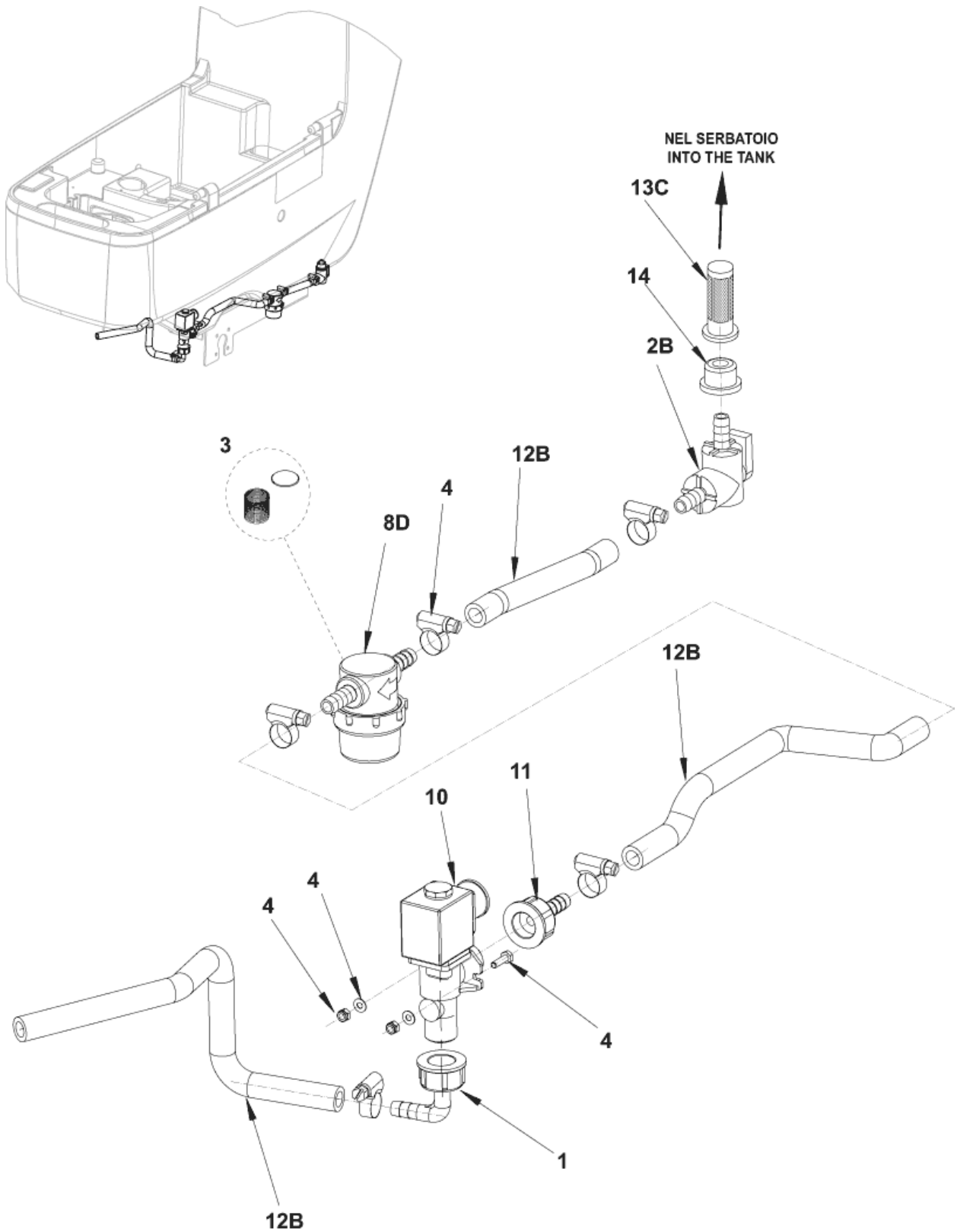
OPTIONAL



Pos.	Vare-nr	Antal	Beskrivelse	Notes
1	909 6578 000	1	HARNESSE HANDLE BAR DRIVE	
2	909 6059 000	1	HANDLE BAR MET.	
3	9097622000	1	Håndtagskit Ba611 Mf.	
4	9098300000	1	Hardware Handle Assembly	
5	9098792000	1	Housing Switch Lower Kit	[1]
10	L08812279	2	Clamp Ba450/530	
11	L08812282	2	Cam Controller Ba450/530	
19	909 6038 000	1	Gaffel Potentiometer Ba450/530	
20	909 6471 000	1	Knob, Potentiometer	
23	9100000792	1	MICROSWITCH 16A 250V PKD	
24	9100001062	1	POTENTIOMETER 5K 40 PKD	
25	909 6544 000	1	Harness Potentiometer	

Part Notes:

[1] - NOT SHOWN - SEE TSB IT 2010-060

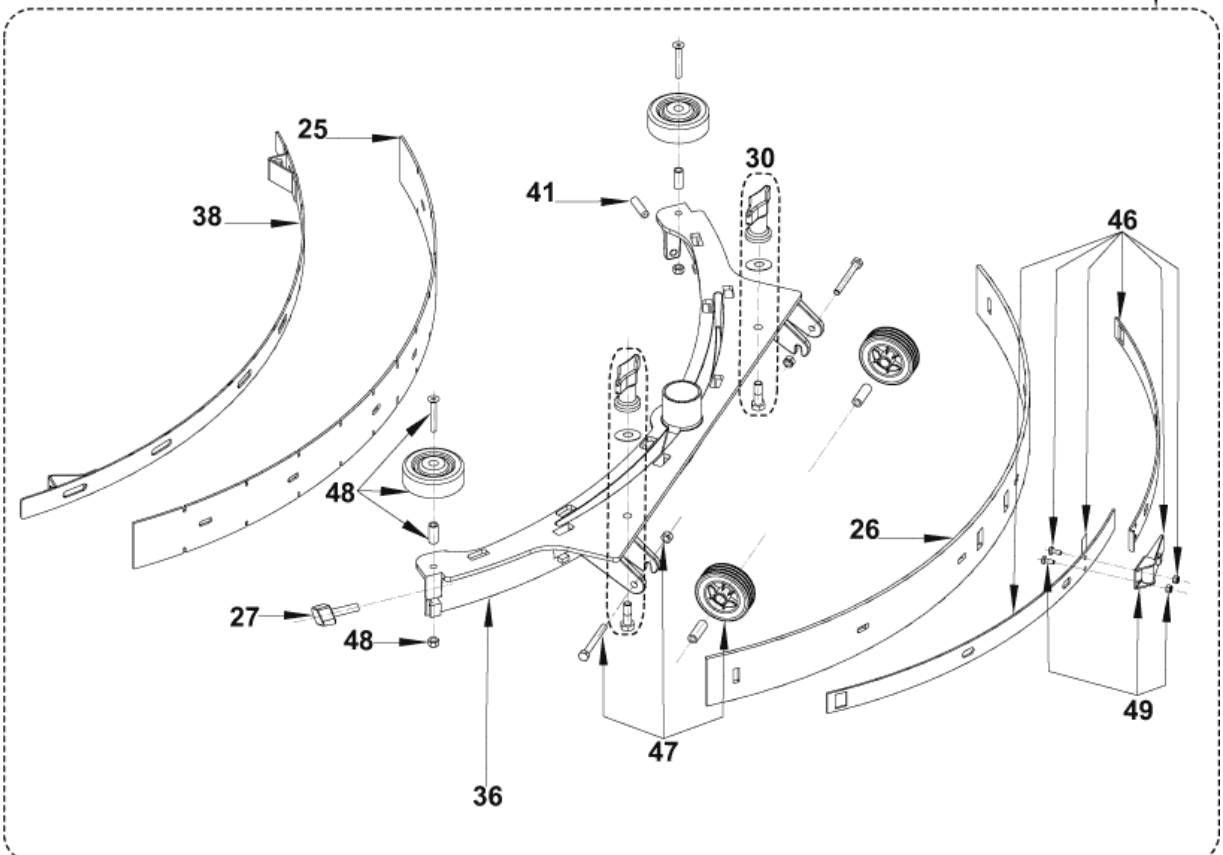
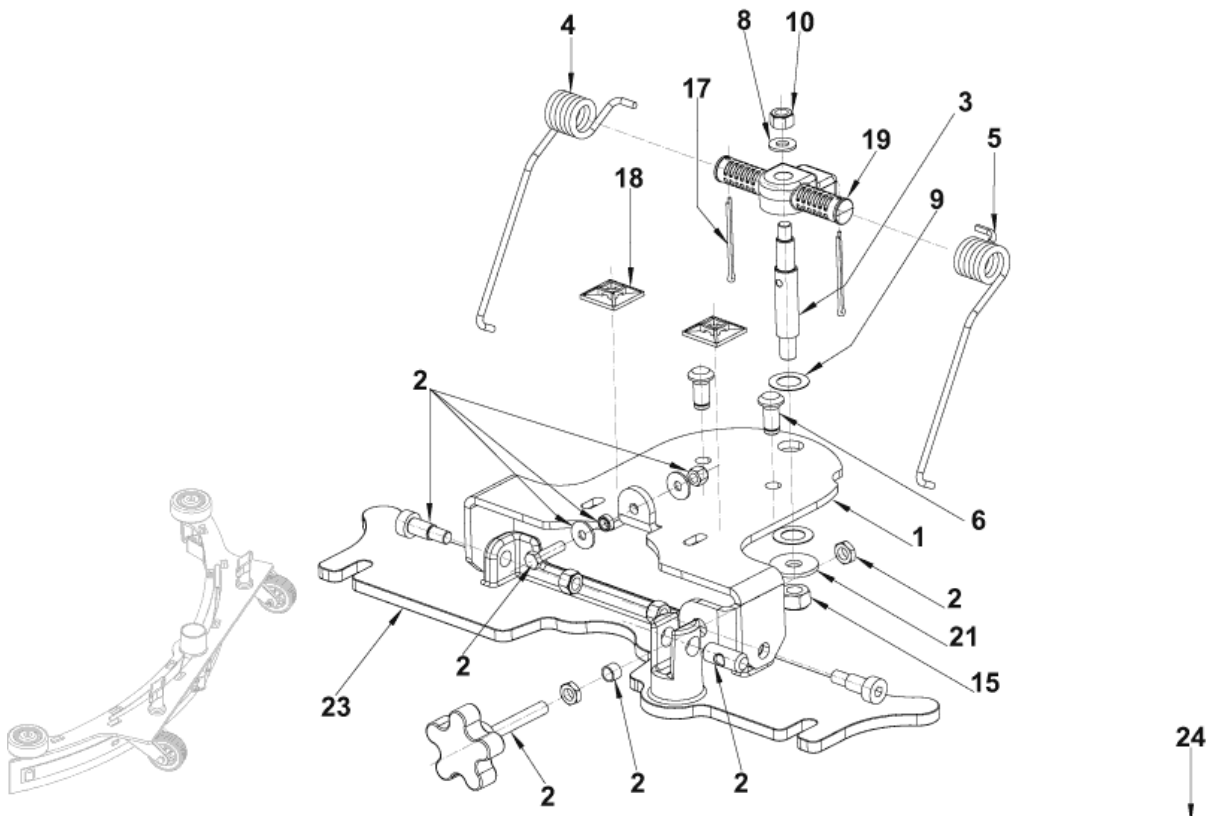


Pos.	Vare-nr	Antal	Beskrivelse	Notes
00B	909 6805 000	1	Pipes Solenoid Valve Kit	[1]
1	9098777000	1	Vinkel	
2B	9096994000	1	Valve Elbow	[2]
3	L08603893	1	Filternet+Pakn. Til 909 5151 000	
4	9098301000	1	HARDWARE SOLUTION SYSTEM KIT	
8D	9097166000	1	Filter Complete Kit	[3]
10	909 6555 000	1	Solenoid Valve 24V	
11	910000106	1	HOLDER RUBBER 1/2 FEMALE KIT	
12B	9096996000	1	Valve Elbow W/Pipes Kit	[2]
13C	9100001353	1	FILTER SOLUTION TANK PKD	[4]
14	909 5286 000	1	Pakning	

Part Notes:

- [1] - NOT SHOWN - SEE TSB IT 2007-027a
- [2] - SEE TSB IT 2007-027a
- [3] - SEE TSB IT 2007-021
- [4] - OPTIONAL

SEE TSB IT 2007-015



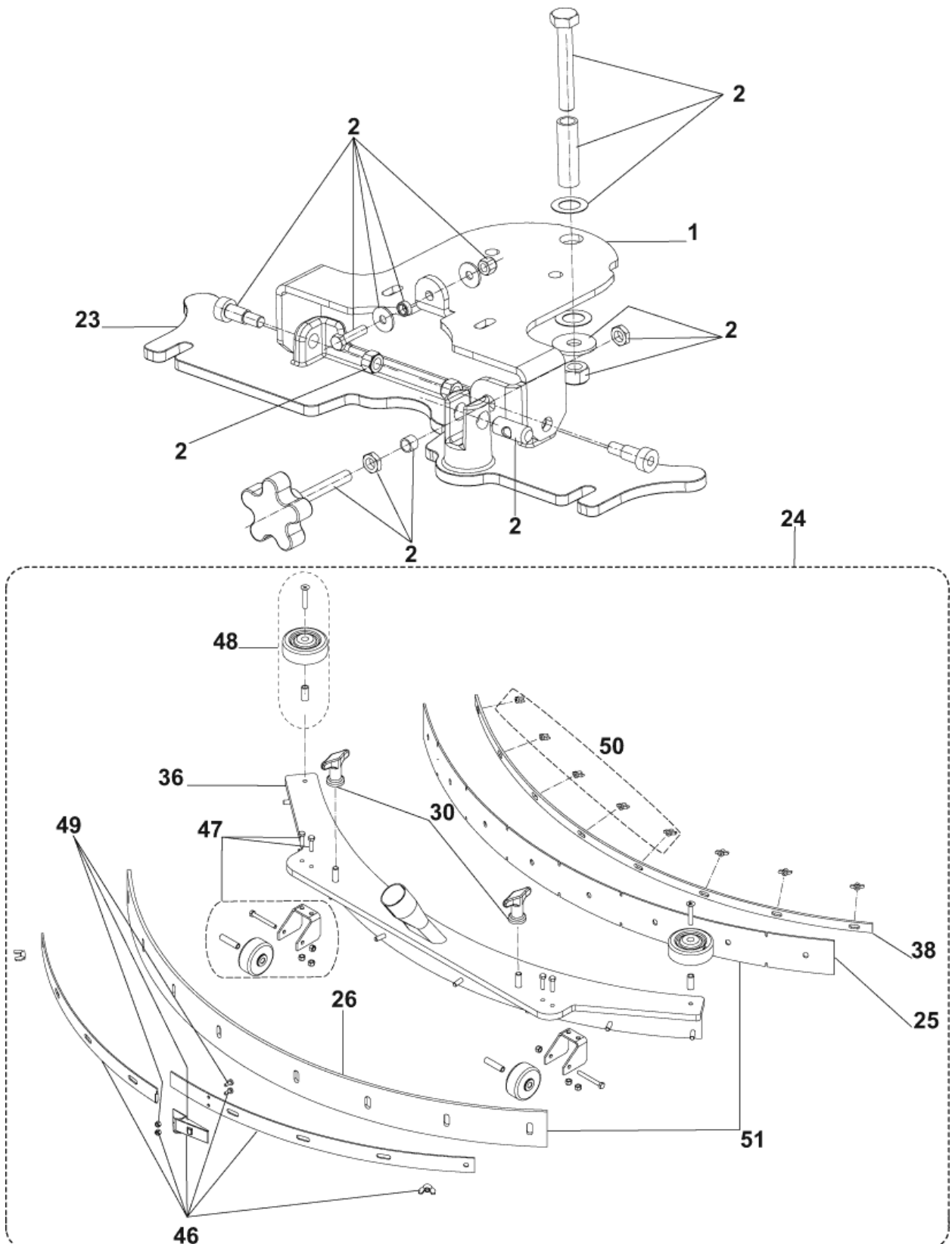
Resource notes:

POSITIONS 25-26: 909 6483 000 - 909 6484 000 included in the kit 909 6860 000

Pos.	Vare-nr	Antal	Beskrivelse	Notes
00	9097548000	1	Pakning, Nylon Kit Til Skviser	[1]
1	909 6494 000	1	Bracket, Squeegee Support	
2	909 6885 000	1	Squeegee Justeringskit Ba451-551	
3	909 6497 000	1	Bolt,Squeegee	
4	909 6537 000	1	Fjeder Til Squeegee	
5	909 6538 000	1	Fjeder Til Squeegee	
6	909 6543 000	2	Pin, Squeegee Fixing	
8	33023208	1	WASHER M8 UNI6592 10 PCS SET	
9	L08238300	2	Skive	
10	33023574	1	NUT LOCK HEX M8 ISO10511 PCS 10 SET	
15	33005608	1	Møtrik M10 Uni7474	
17	33005758	2	Split Til Sugefod	
18	909 6635 000	2	Holder	
19	9100000515	1	SUPPORT SQUEEGEE SPRING PKD	
21	L08604251	1	Disc 10,5 Ba340/450/530	
23	909 6045 000	1	Beslag Til Sugefod	
24	909 6851 000	1	Sugefod, komplet	
25	9100000279	1	Sugegummi kit sværtefri 29" 740 mm	
27	9100000791	1	KNOB M8X30 THD STUD SS PKD	
30	9097637000	1	Monteringskrue (2 Stk)	
36	909 6044 000	1	"Sugefod 30"" Kun Metaldel "	
38	909 6055 000	1	Holder For Sugegummi	
41	909 6600 000	1	SCREW GRUB M8X30 CUP POINT SS ISO4029	
46	909 6882 000	1	Skinnekit	
47	909 6883 000	2	Hjul For Squeegeerkit	
48	909 6884 000	2	Påkørselshjul, Kit	
49	909 6394 000	1	Latch Squeegee Kit	

Part Notes:

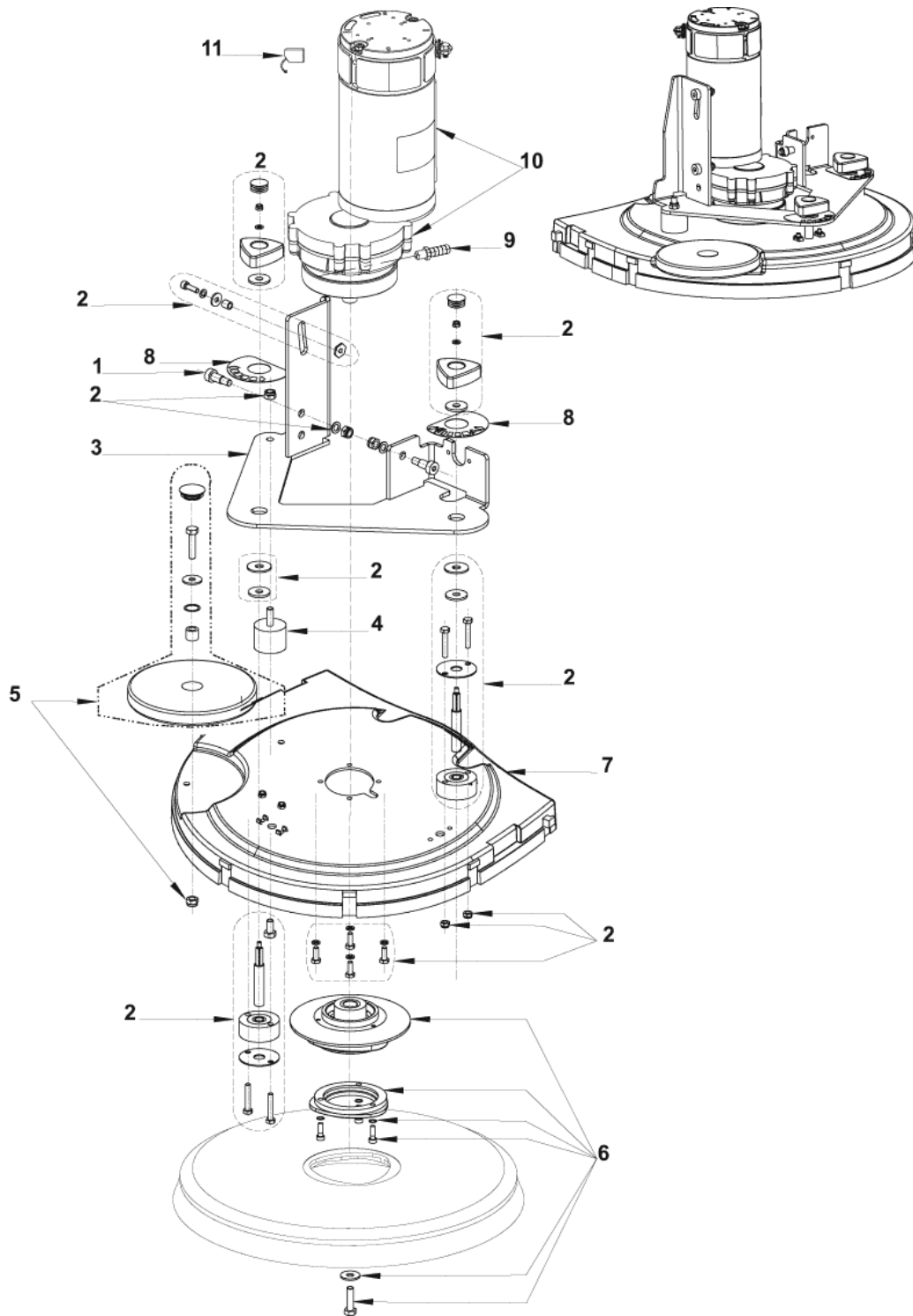
[1] - NOT SHOWN - SEE IT 2007-031



Pos.	Vare-nr	Antal	Beskrivelse	Notes
00	909 6886 000	1	HARDWARE SQUEEGEE FIXING KIT	[1]
1	909 6494 000	1	Bracket, Squeegee Support	
2	9098527000	1	Hardware Squ. Fixing Supp	
23	909 6045 000	1	Beslag Til Sugefod	
24	9097539000	1	Squeegee Cpl. BA 611 D Kit	
25	909 5629 000	1	Sugelæbe Front Ba600/Ba65 Afsmitningsfri	[2]
30	9097637000	1	Monteringsskrue (2 Stk)	
36	9097198000	1	SQUEEGEE 830MM 33 ALU	
38	L08603831	1	Strap Front	
46	909 6894 000	1	Hardware Squeegee Blade Fixing Kit	
47	9100000573	2	Hjul til sugefod kit	
48	L08603880	2	Stødhjulskit, Sugefod	
49	909 6394 000	1	Latch Squeegee Kit	
50	909 6356 000	2	Vingemøtrik-Sæt (2 Stk.)	
51	9100000280	1	Sugegummi kit sværtefri 33" 840 mm	

Part Notes:

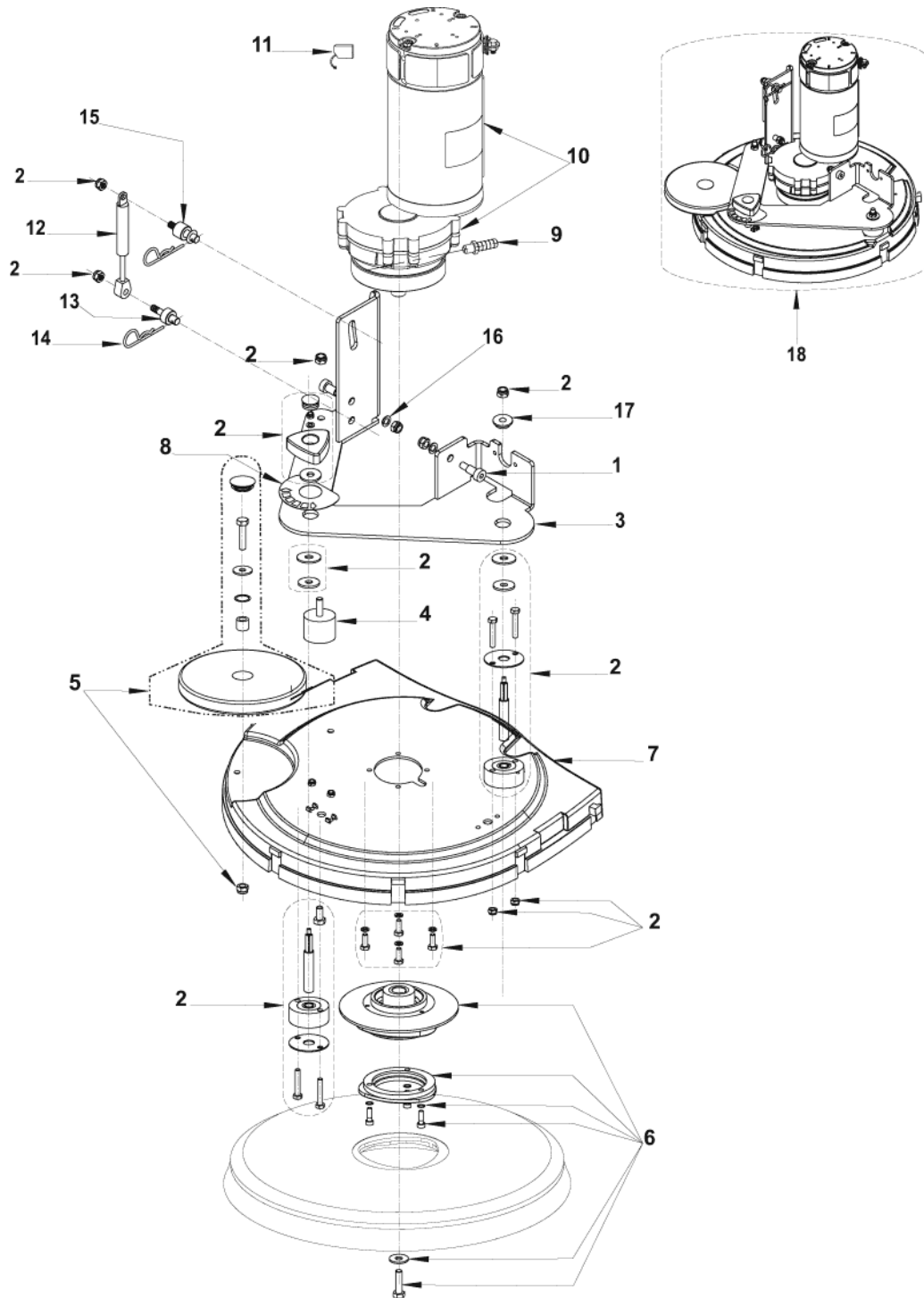
- [1] - NOT SHOWN
 [2] - OPTIONAL



Pos.	Vare-nr	Antal	Beskrivelse	Notes
00	9097599000	1	Beskyttelsessæt	[1]
1	9100001160	1	SCREW SHOUL 10X16 M8 ISO7379 10 PCS SET	
2	9099419000	1	Justeringsæt F. Børste	
3	909 6485 000	1	Plate Deck Brush Holder	
4	9100000868	1	VIBRATION DAMPING M8 60SH 2 PCS SET	
5	909 6887 000	1	Stødhjul	
6	9097093000	1	Børsteholder Poly Kit	
7	909 6042 000	1	Børste Dæksel	
8	9097773000	1	Decals Kit BA 551/611	
9	L08601624	1	Slangestuds Plast	
10	9098308000	1	Gearmotor 450W 24V	[2]
10	1466147000	1	KEY 5X5X20 UNI6604A PKD	[3]
11	9098376000	1	CARBON BRUSHES KIT 4 PCS	[4]
11	9098674000	1	CARBON BRUSHES KIT 4 PCS	[5]
11	909 5380 000	1	Carbon Brush Kit	[6]

Part Notes:

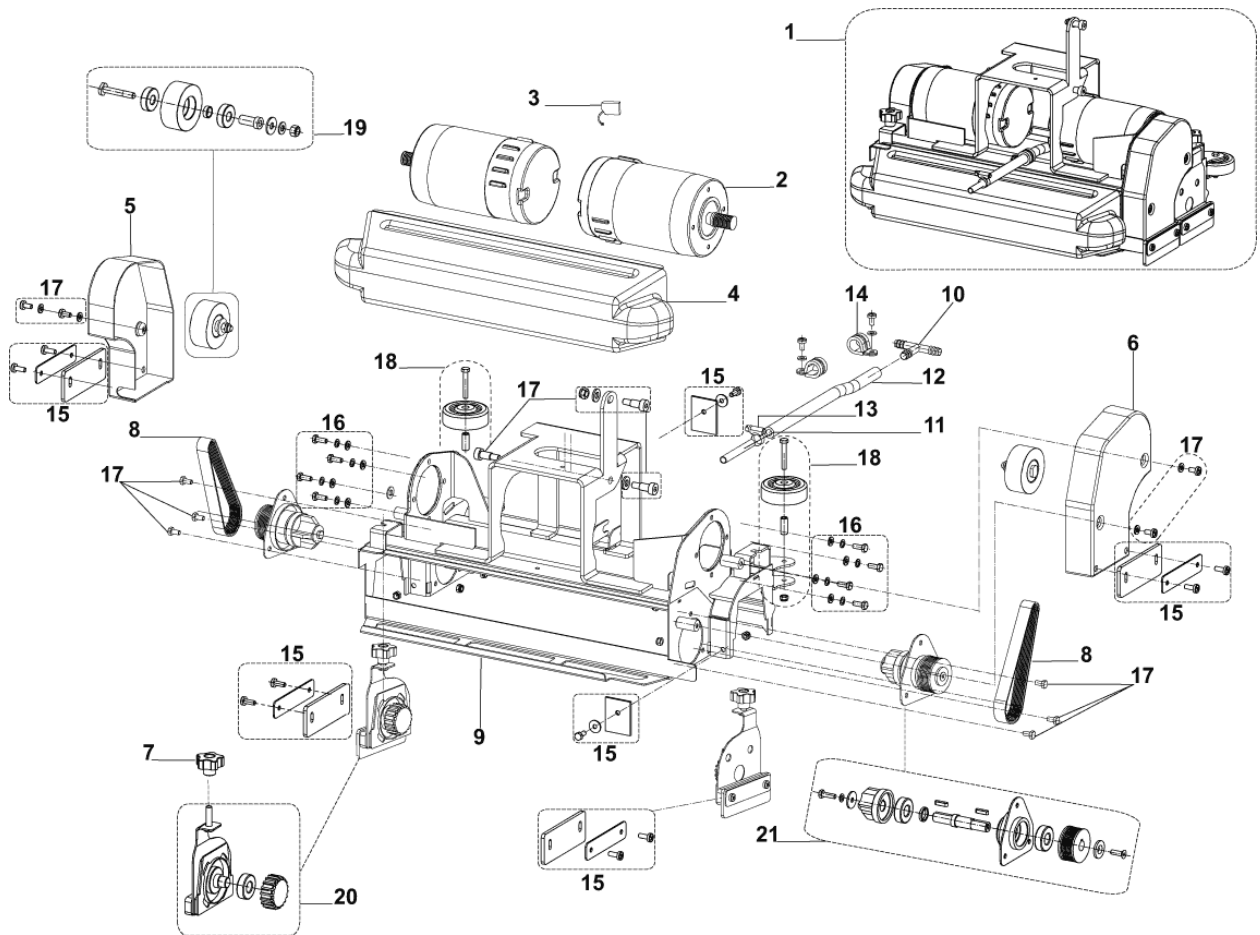
- [1] - SEE TSB-FC-2015-035
- NOT SHOWN - OPTIONAL - INST.INSTR. 9097600000 FOR 909 6546 000 - SEE TSB IT 2008-014
see TSB FC 2015-035 (COMING SOON)
- [2] - STARTING FROM SERIAL NUMBER 111534145
- [3] - NOT SHOWN - ALREADY INCLUDED IN REDUCTION GEARMOTOR
- [4] - FOR REDUCTION GEARMOTOR 9098308000 (AMER)
- [5] - FOR REDUCTION GEARMOTOR 9098352000 (VIPER)
- [6] - FOR REDUCTION GEARMOTOR 909 6546 000 (LEROY SOMER)
GUARANTEE DATE EXPIRED



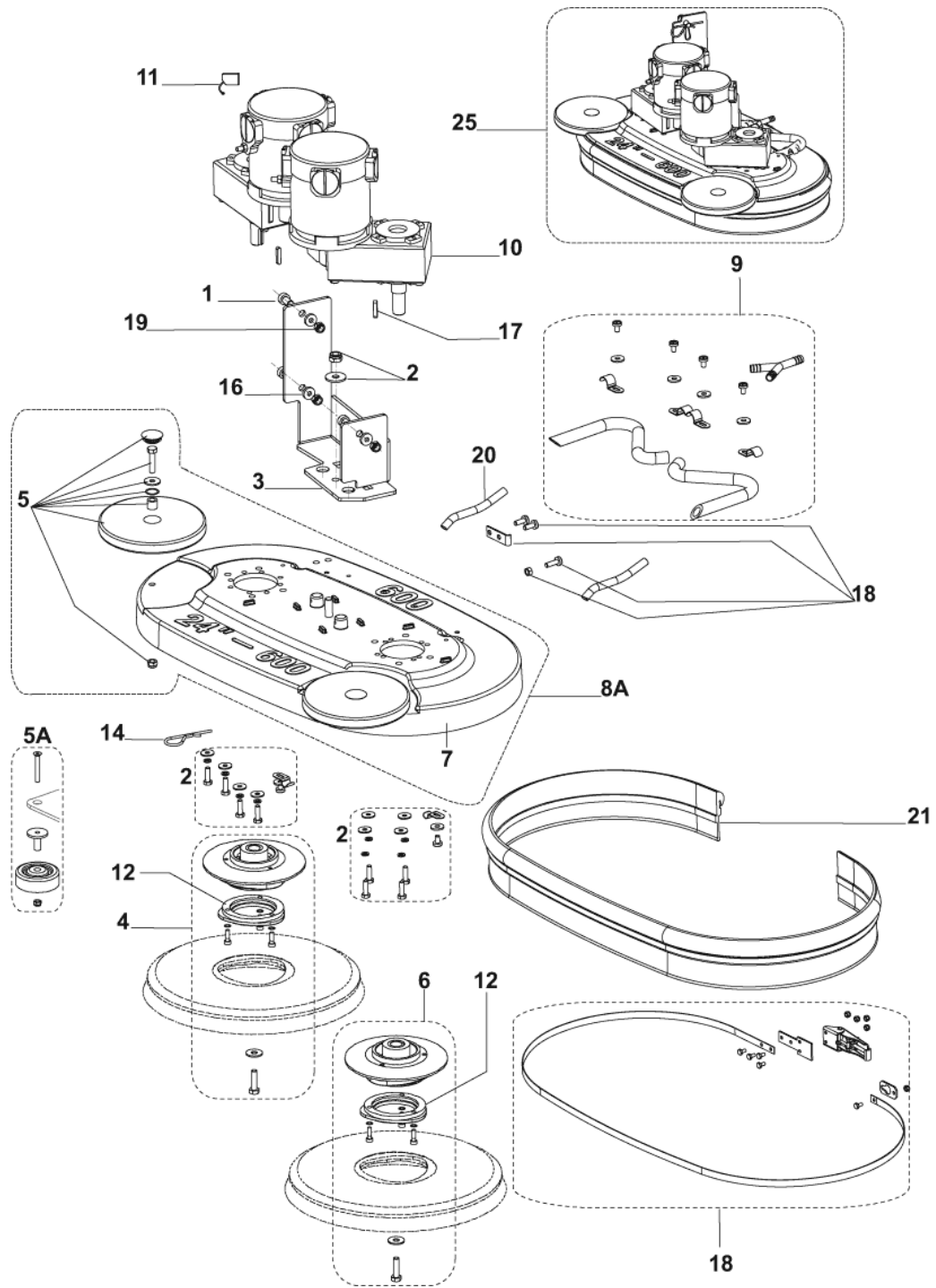
Pos.	Vare-nr	Antal	Beskrivelse	Notes
00	9097599000	1	Beskyttelsessæt	[1]
1	9100001160	1	SCREW SHOUL 10X16 M8 ISO7379 10 PCS SET	
2	9099419000	1	Justeringssæt F. Børste	
3	909 6485 000	1	Plate Deck Brush Holder	
4	9100000868	1	VIBRATION DAMPING M8 60SH 2 PCS SET	
5	909 6887 000	1	Stødhjul	
6	9097093000	1	Børsteholder Poly Kit	
7	909 6042 000	1	Børste Dæksel	
8	9097773000	1	Decals Kit BA 551/611	
9	L08601624	1	Slangestuds Plast	
10	9098308000	1	Gearmotor 450W 24V	[2]
10	1466147000	1	KEY 5X5X20 UNI6604A PKD	[3]
11	9098376000	1	CARBON BRUSHES KIT 4 PCS	[4]
11	909 5380 000	1	Carbon Brush Kit	[5]
12	909 6514 000	1	Spring Gas	
13	909 6516 000	1	PIN LOWER	
14	1467692000	1	PIN SPRING COTTER 3X56 GALV. 2 PCS SET	
15	909 6515 000	1	Pin Upper	
16	33023224	2	WASHER PLAIN M10 ISO7089 10 PCS SET	
17	909 6513 000	1	BUSH FLANGED	
18	909 6853 000	1	DECK BRUSH 530MM/21 KIT	

Part Notes:

- [1] - SEE TSB-FC-2015-035
- NOT SHOWN - OPTIONAL - INST.INSTR. 9097600000 FOR 909 6546 000 - SEE TSB IT 2008-014
- see TSB FC 2015-035 (COMING SOON)
- [2] - STARTING FROM SERIAL NUMBER 111534145
- [3] - NOT SHOWN - ALREADY INCLUDED IN REDUCTION GEARMOTOR
- [4] - FOR REDUCTION GEARMOTOR 9098308000 (AMER)
- [5] - FOR REDUCTION GEARMOTOR 909 6546 000 (LEROY SOMER)
GUARANTEE DATE EXPIRED



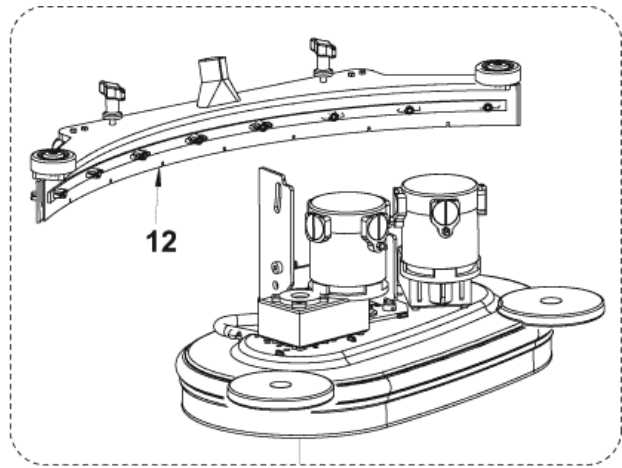
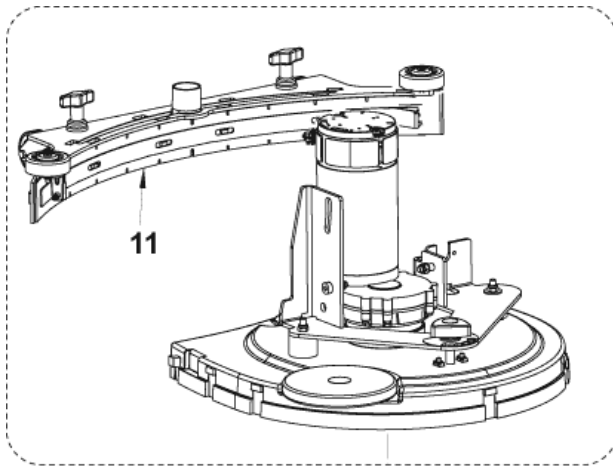
Pos.	Vare-nr	Antal	Beskrivelse	Notes
1	909 6854 000	1	Børstehoved, komplet	
2	9096983000	2	REDUCTION GEARMOTOR 300W 24V	
3	1464432000	1	Brush Carbon Kit 4Pcs	
4	909 5805 000	1	Skidtkasse 651Bcl Scrubtec 651Bcl Cyl.	
5	909 5818 000	1	Skjold, Venstre	
6	909 5817 000	1	Skjold, Højre	
7	9100002017	2	KNOB M8 SIP	
8	909 5820 000	2	Belt Poly-V	
9	909 6518 000	1	FRAME CYLINDRICAL DECK	
10	145 4366 000	1	HOLDER RUBBER T D.12	
11	909 5772 000	1	PIPE COPPER F WATER BRUSH	
12	909 5870 000	1	HOSE PVC W/SPIRAL D.10X16 L.190MM SIP	
13	33023593	1	CLAMP HOSE 8-16/9 DIN3017 2 PCS SET	
14	909 5516 000	2	CLAMP HOSE D.18	
15	9098489000	1	Guards Splash Kit	
16	9098490000	1	HARDWARE BELT TENSIONER ROLLER KIT	
17	9098491000	1	Hardware Cyl.Deck Kit	
18	9098488000	1	Afviserrulle-Sæt	
19	9098485000	2	Belt Tensioner Kit	
20	9098486000	2	Monteringsplade	
21	9098487000	2	Support Pulley Cyl.Brush	
22	909 6620 000	1	HARNES CYL. BRUSH DECK	



Pos.	Vare-nr	Antal	Beskrivelse	Notes
00	909 6619 000	1	HARNES BRUSH DECK	[1]
1	9100001160	3	SCREW SHOUL 10X16 M8 ISO7379 10 PCS SET	
2	9098496000	1	HARDWARE BRUSH DECK KIT	
3	909 6512 000	1	Bracket Brush Deck	
4	L08812589	1	Holder Polyg,W/Flange Kit	
5	909 6887 000	2	Stødhjul	
5A	909 5894 000	1	Roller Bumper Kit BA 650/750/600S	[2]
6	L08812589	1	Holder Polyg,W/Flange Kit	
7	909 5344 000	1	DECK BRUSH	
8A	9098525000	1	DECK BRUSH UPDATING KIT	[3]
9	909 6891 000	1	Y-Stykke Til Rentvand Kit Deck Kit	
10	9100000678	2	REDUCTION GEAR MOTOR 350W 24V PKD	[4]
11	909 6893 000	2	Carbon Brush Kit -4Pcs-	
12	L08812480	2	Polyg. Holder Ba450/530	
14	1467692000	1	PIN SPRING COTTER 3X56 GALV. 2 PCS SET	
16	33023224	3	WASHER PLAIN M10 ISO7089 10 PCS SET	
17	1466146000	2	KEY 5X5X25 UNI6604A PKD	
18	909 5398 000	1	Spændebånd,Stænkskørte BA 650/600S	
19	33023574	1	NUT LOCK HEX M8 ISO10511 PCS 10 SET	
20	909 5228 000	2	HOSE COPPER	[5]
21	909 5224 000	1	Børsteinddækningssæt, 650 mm	
25	909 6855 000	1	DECK BRUSH 610MM/24 KIT	

Part Notes:

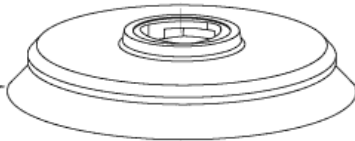
- [1] - NOT SHOWN
- [2] - FOR PREVIOUS BRUSH DECK SYSTEM
- [3] - F UPDATING PREVIOUS BR.DECK SYSTEM
- [4] - SEE TSB IT 2011-070
- [5] - GUARANTEE DATE EXPIRED



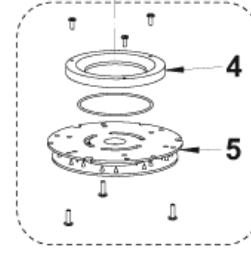
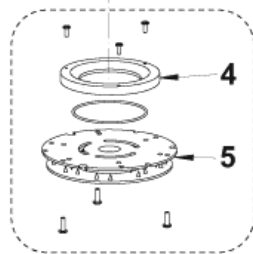
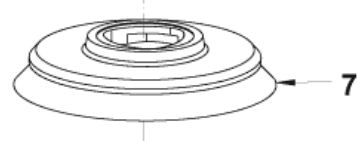
1

6

2



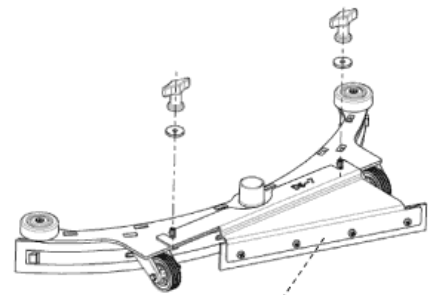
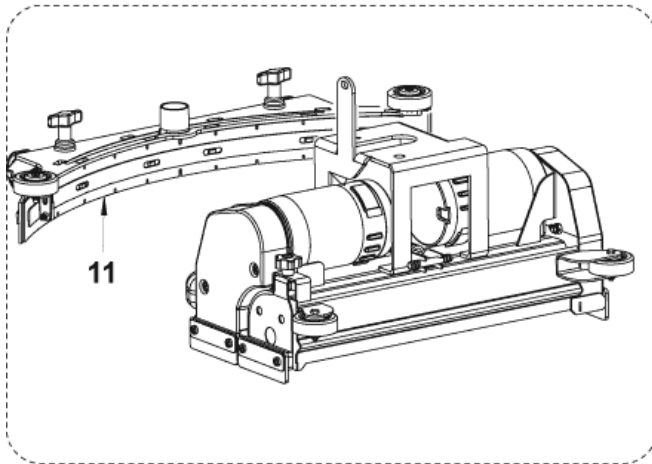
7



9

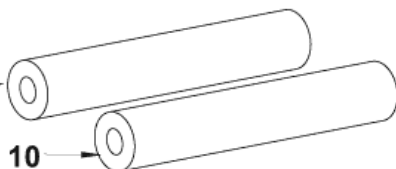
3

8

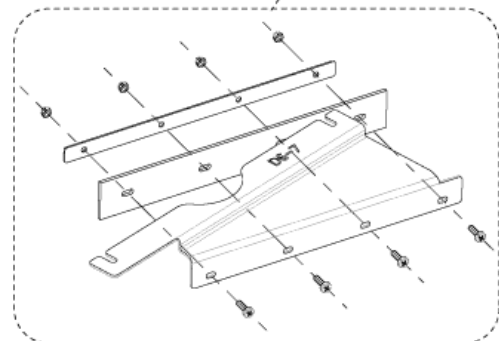


10

10



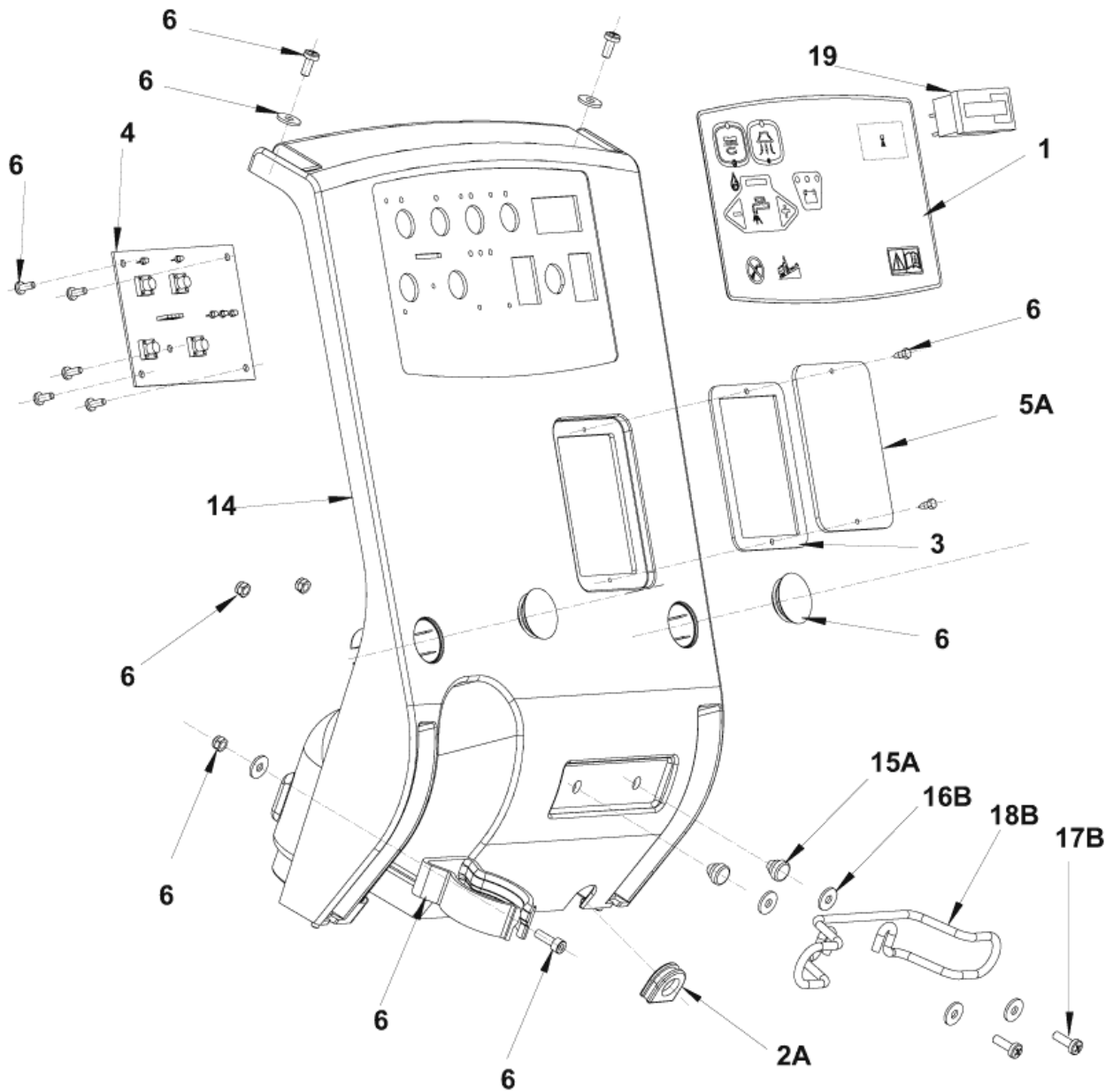
13



Pos.	Vare-nr	Antal	Beskrivelse	Notes
1	909 6848 000	1	DECK BRUSH 530MM/21 KIT WITH	
2	L08837028	1	Børste Midlite Grit 180 21" Ø530 mm	
2	L08837065	1	Børste Magna Grit 46 21" Ø530 mm	
2	L08837067	1	Børste Aglite Grit 500 21" Ø530 mm	
2	L08837026	1	Børste Prolite 21" Ø530 mm	
2	L08837025	1	Børste Prolene 21" Ø530 mm	
2	L08837066	1	Børste Dyna Grit 80 21" Ø530 mm	
2	L08837029	1	Børste Clean Grit 21" Ø530 mm	
2	L08837027	1	Børste naturhår 21" Ø530 mm	
3	L08837018	1	Rondelholder 21" Ø530 mm	
4	L08603966	1	Ring Nylon	
5	56505195	1	Rondellås Lynkobling	
6	909 6850 000	1	Børstedæk M/Sugefod 61Cm	
7	L08603874	2	Børste Prolite 12" Ø305 mm	
7	L08603873	2	Børste Mid Grit 180 12" Ø305 mm	
7	L08603842	2	Børste Prolene 12" Ø305 mm "Blå"	
7	L08603872	2	Børste Midlite Grit 240 12" Ø305 mm	
7	L08603875	2	Børste Union Mix 12" Ø305 mm	
8	9099670000	2	Rondelholder 12" Ø305 mm Velcro	
8	L08603939	2	Rondelholder 12" Ø305 mm8	
9	909 6849 000	1	DECK BRUSH 510MM/20 CYL KIT	
10	909 5823 000	2	Cylinderbørste polypropylen 510 mm 0,4	
10	909 5825 000	2	Cylinderbørste polypropylen 510 mm 0,6	
10	909 5824 000	2	Cylinderbørste polypropylen 510 mm 0,45	
11	909 6851 000	1	Sugefod, komplet	
11	L08603878	1	Squeegee Komp.Ba450/530	
12	9097539000	1	Squeegee Cpl. BA 611 D Kit	
13	9098343000	1	Tredje Sugelæbe Kit 451/531 551/611	[1]

Part Notes:

[1] - SEE INST. INSTR. 9098337000



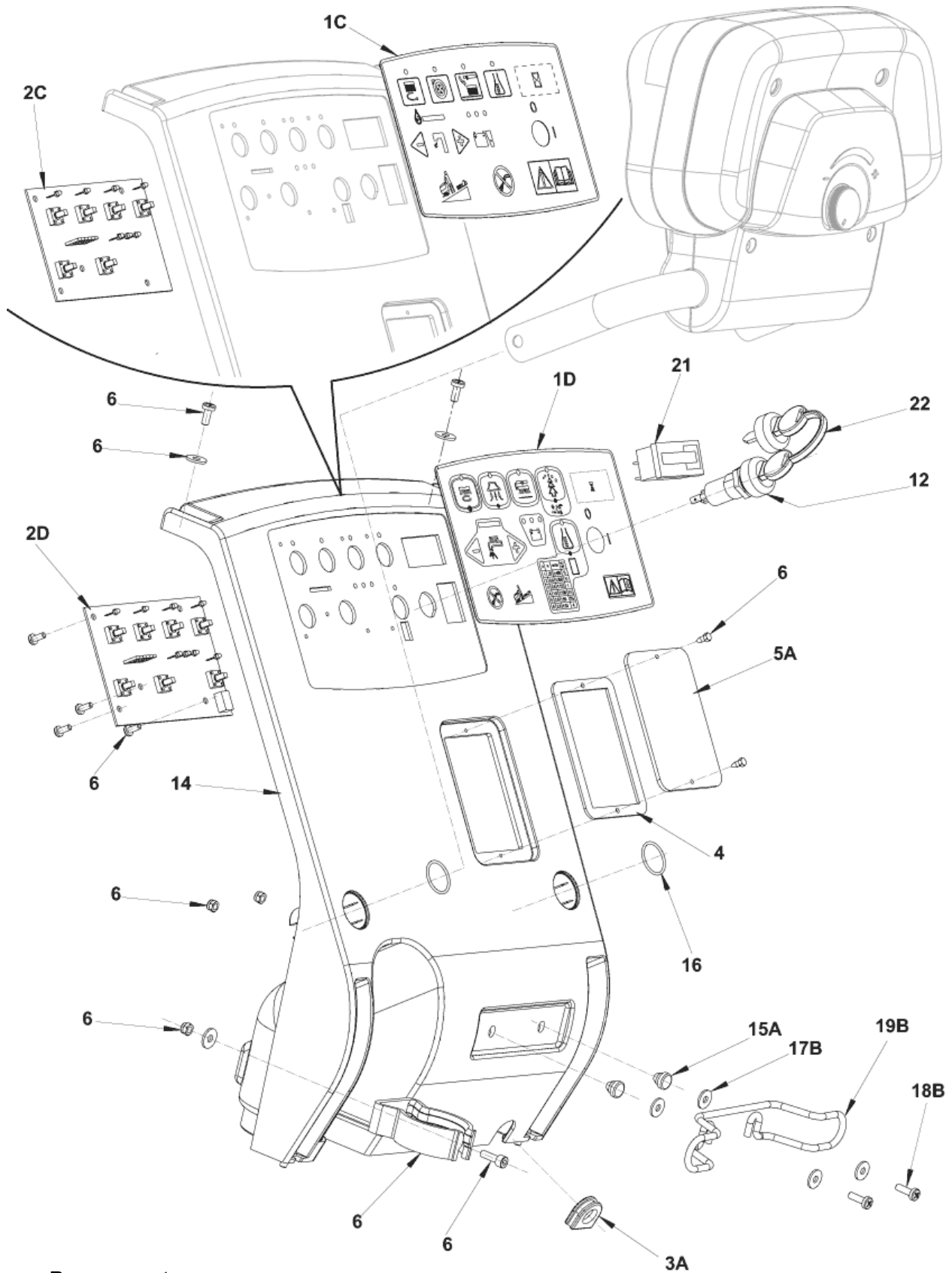
Resource notes:

A : ONLY VERSION WITHOUT BATTERY CHARGER ON BOARD B : ONLY VERSION WITH BATTERY CHARGER ON BOARD

Pos.	Vare-nr	Antal	Beskrivelse	Notes
1	9098635000	1	Decal Control Panel	
2A	909 6542 000	1	GROMMET	
3	909 6545 000	1	GASKET	
4	909 6552 000	1	Elektronikkort BA 531	[1]
4	9100000174	1	CARD ELECTRONIC FUNCTIONS SIP	[2]
5A	9100001065	1	COVER F INSPECTION PLATE BLACK SIP	
6	9100001891	1	HARDWARE CONTROL PANEL KIT	
14	9097649000	1	Cover Control Panel Kit	
15A	909 6553 000	2	FEET RUBBER	
16B	1467686000	1	WASHER PLAIN M5X15 ISO7093 10 PCS SET	
17B	146 2090 000	2	SCREW M5X16 PAN HD PHIL ISO7045	
18B	1466317000	1	SUPPORT CABLE KIT	
19	9096951000	1	Timetæller kit, 24 V	[3]
20	9100000878	1	FUSE BLADE 3A SIP	[4]
21	1466207000	1	PROGRAMMER F ELECTRONIC CARDS PKD	[4]

Part Notes:

- [1] - BEFORE SERIAL NO. 072115094
- [2] - STARTING FROM SERIAL NO. 072115094
- [3] - SEE INST. INSTR. 9096952000
- [4] - NOT SHOWN



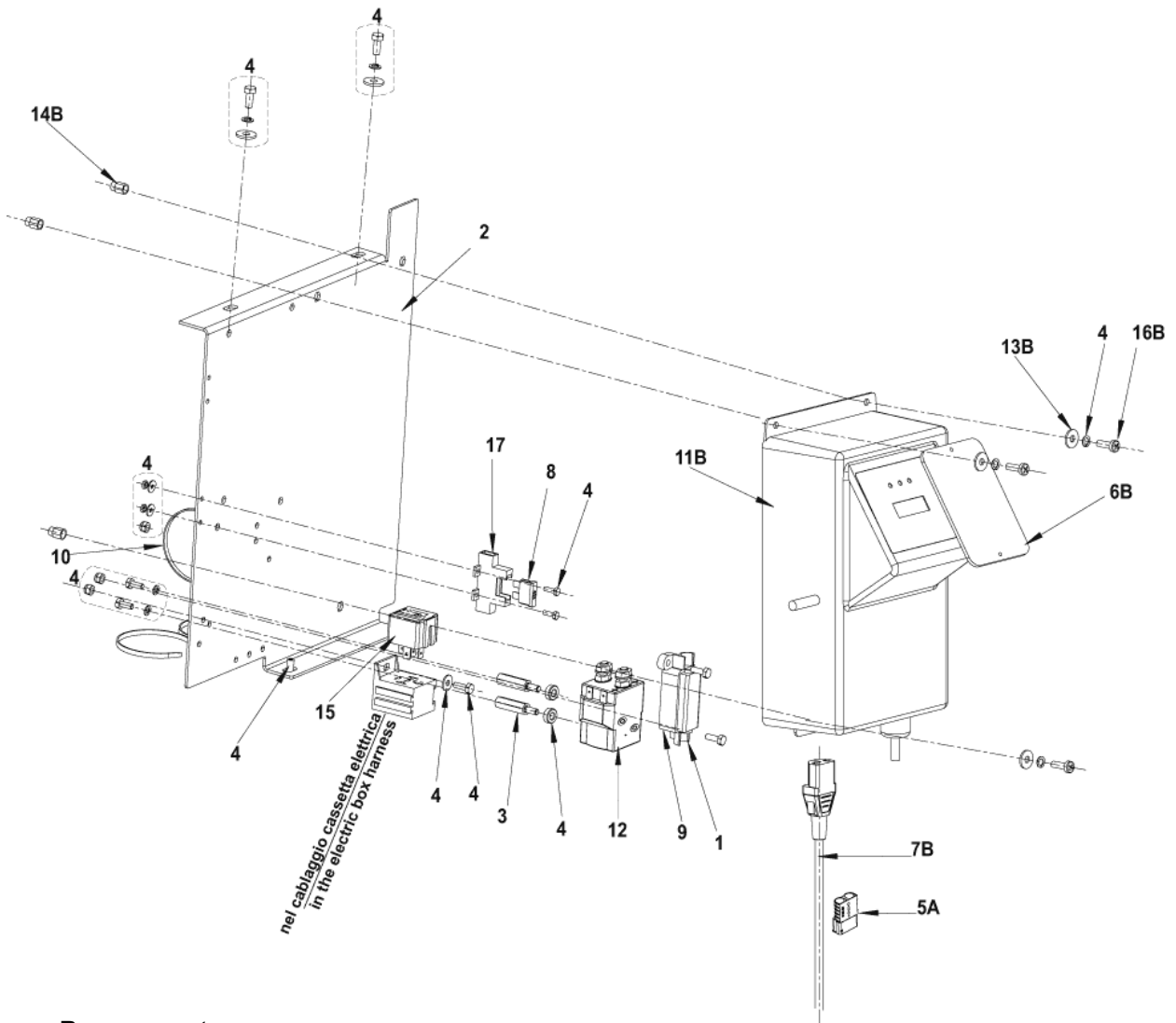
Resource notes:

A : ONLY VERSION WITHOUT BATTERY CHARGER ON BOARD B : ONLY VERSION WITH BATTERY CHARGER ON BOARD POSITION 2 909 6499 000 ONLY FOR MACHINE BEFORE S/N BA 531D 072014255 - BA 451 072115094

Pos.	Vare-nr	Antal	Beskrivelse	Notes
00	9100000878	2	FUSE BLADE 3A SIP	[1]
00	909 6678 000	1	FUSE 20A GLASS DELAYED	[2]
1C	909 6057 000	1	Decal Control Panel	[3]
1D	9100001243	1	DECAL CONTROL PANEL ECOFLEX PKD	[4]
2	909 6499 000	1	Card,Electronic Control P	[5]
2C	9100000175	1	CARD ELECTRONIC FUNCTIONS KIT	[6]
2D	9100000179	1	CARD ELECTRONIC FUNCTIONS KIT	[4]
3A	909 6542 000	1	GROMMET	
4	909 6545 000	1	GASKET	
5A	9100001065	1	COVER F INSPECTION PLATE BLACK SIP	
6	9100001891	1	HARDWARE CONTROL PANEL KIT	
12	9100001354	1	SWITCH KEY WITH CAP PKD	
14	9100001360	1	COVER GREY F ELECTRIC COMP. BOX PKD	
15A	909 6553 000	2	FEET RUBBER	
16	909 6675 000	2	O-RING 1.78X21.95 -2087- NBR	
17B	1467686000	1	WASHER PLAIN M5X15 ISO7093 10 PCS SET	
18B	146 2090 000	2	SCREW M5X16 PAN HD PHIL ISO7045	
19B	1466317000	1	SUPPORT CABLE KIT	
21	9096951000	1	Timetæller kit, 24 V	[7]
22	146 2887 000	1	Nøgle (2 Pcs) Ba510Sd	

Part Notes:

- [1] - NOT SHOWN
- [2] - STOCK COVERS GUARANTEE
NOT SHOWN
- [3] - VALID FORBA 551D, BA551CD, BA 611D -UNTIL S/N 102013837 - ref. ECO 3706
- [4] - VALID FORBA 551D, BA551CD, BA 611D -STARTING FROM S/N 102013838 - ref. ECO 3706 EcoFlex
- [5] - UNTIL S/N 072014254
- [6] - STARTING S/N 072014255
VALID FORBA 551D, BA551CD, BA 611D -UNTIL S/N 102013837 - ref. ECO 3706
- [7] - SEE INST. INSTR. 9096952000



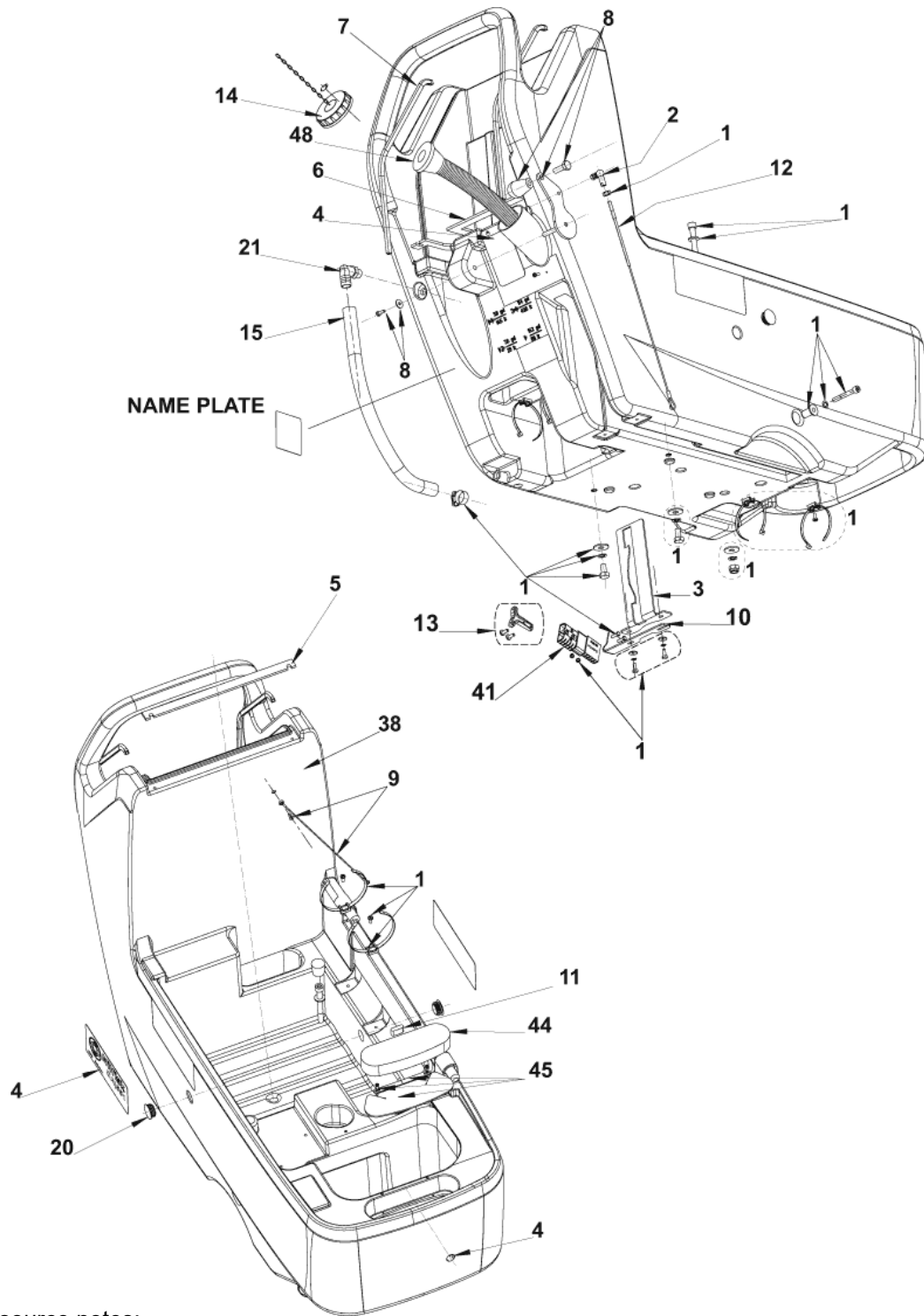
Resource notes:

A : ONLY VERSION WITHOUT BATTERY CHARGER ON BOARD B : ONLY VERSION WITH BATTERY CHARGER ON BOARD

Pos.	Vare-nr	Antal	Beskrivelse	Notes
00	909 6613 000	1	HARNESS VACUUM MOTOR	
00	909 6614 000	1	HARNESS MACHINE	[1]
00	909 6616 000	1	HARNESS ELECTRIC BOX	[2]
00	909 6614 000	1	HARNESS MACHINE	[2]
00	9096963000	1	HARNESS ELECTRIC BOX	[3]
00	9097590000	1	Batteri Kabel	
00	9100001950	1	HARNESS BATTERY KIT	
00	9096961000	1	Harness Machine	[3]
1	145 8046 000	1	Säkeringshållare	
2	909 6498 000	1	SUPPORT ELECTRIC COMP.	
3	909 6676 000	2	SPACER M4 L25	
4	9098303000	1	HARDWARE ELECTRIC SYSTEM KIT	
5A	9100002117	2	CONNECTOR RED 120A PKD	
6B	9100001064	1	COVER F INSPECTION PLATE TRANSP. SIP	
7B	9096914000	1	Cable Extension Us Plug	
7B	9100000790	1	CABLE EXTENSION EU PLUG L.1000MM PKD	
7B	1466318000	1	CABLE EXTENSION UK PLUG L.2000MM SIP	
8	145 8513 000	1	Sikring 30A	
9	145 3824 000	1	Sikring 40A,Bladsikring	
10	145 1449 000	3	TIE CABLE 3.6x140 BLACK	
11B	9098297000	1	Lader (Indbygget) 24V 13A	
12	9097208000	1	Vacum Relæ 24V	
13B	33023396	1	WASHER PLAIN M6X12 ISO7089 10 PCS SET	
14B	145 6132 000	3	INSERT M5	
15	909 6622 000	1	Relæ 24V 40A	
16B	1466964000	1	SCREW M5X20 PAN HD ISO7045 10 PCS SET	
17	1467035000	2	HOLDER FUSE THERMOPL.UL 94-V0 SIP	

Part Notes:

- [1] - GUARANTEE DATE EXPIRED
- [2] - BEFORE S. NO. 070503008
GUARANTEE DATE EXPIRED
- [3] - STARTING FROM SERIAL NO. 070503008



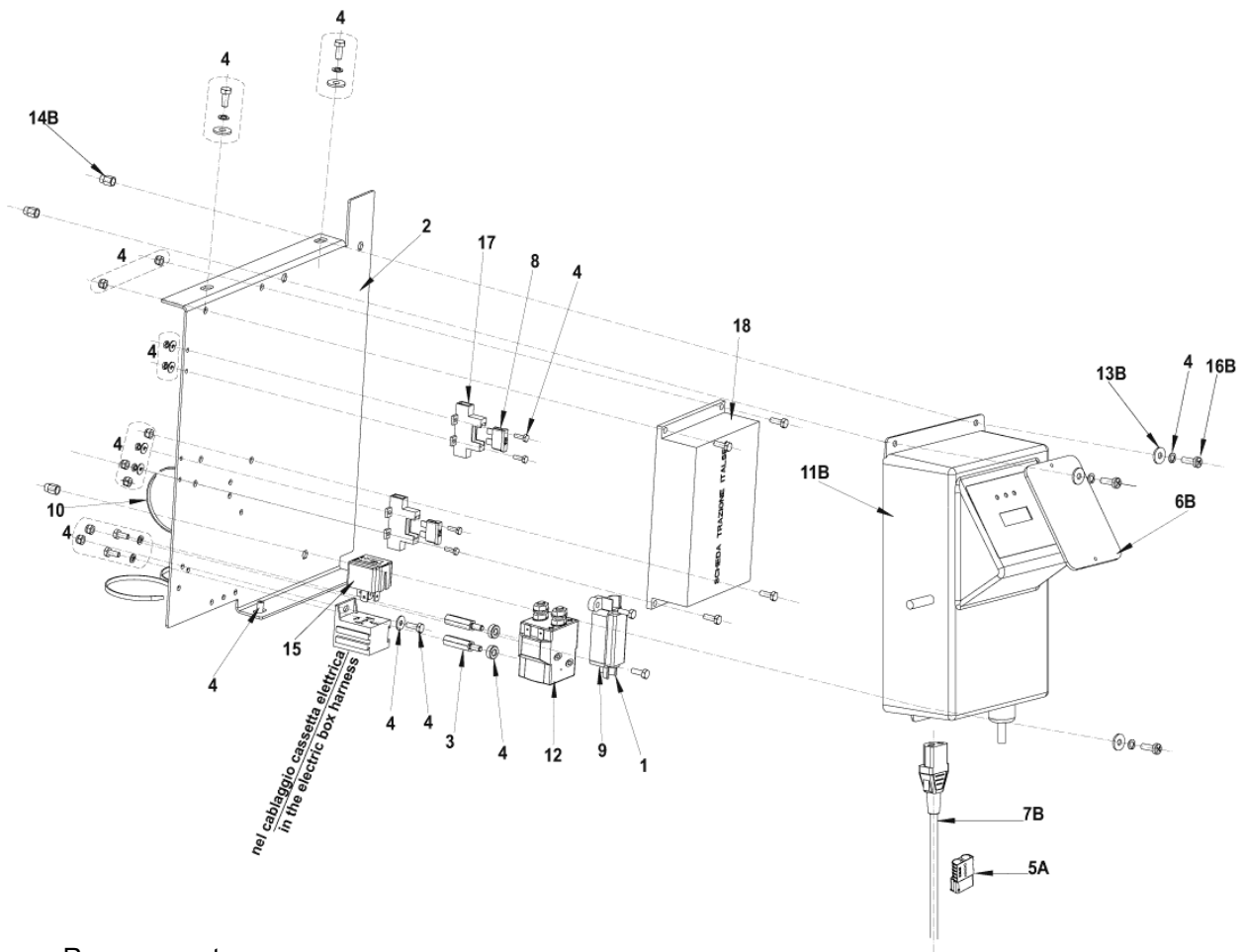
Resource notes:

POSITION 12 9098675000 includes also position 2. POSITION 0: CODE 9098575000 VALID FOR DRIVE VERSION ONLY

Pos.	Vare-nr	Antal	Beskrivelse	Notes
00	9098575000	1	Support Left Watert.Kit	[1]
1	9098265000	1	Mont.Sæt F. Rentvandstank	
3	909 6493 000	1	SUPPORT PEDAL	
4	9097773000	1	Decals Kit BA 551/611	
4	9100001266	1	DECALS KIT BEARCAT 20TD	[2]
5	909 6596 000	1	Gasket	
6	909 6597 000	1	Gasket	
7	909 6892 000	2	Gasket L 960	
8	9097630000	1	Plade For Løft Af Sugefod	
9	909 6874 000	1	Cable Tank Kit	
10	909 6649 000	1	BRACKET CONNECTOR SUPPORT	
11	9100001364	1	CAP RUBBER BLACK SIP	
12	9098675000	1	Wire Til Sugefod	[3]
13	9100000885	1	HANDLE F BATTERY CONNECTOR SIP	
14	909 6554 000	1	Cap With Chain	
15	909 6521 000	1	Slange For Rent Vand	
20	33023302	2	CAP BLACK SIP	
21	9100000770	1	BARB HOSE 90 D.20.5 M 3/8-18 PLASTIC KIT	
38	9100001363	1	TANK SOLUTION 55L PLAST. GREY SIP	
41	9100002117	2	CONNECTOR RED 120A PKD	
44	909 6671 000	1	Rentvandsfilter	
45	9098449000	1	RUBBER ANTISPLASH KIT	
48	9097290000	1	Påfyldningsslange	[4]

Part Notes:

- [1] - NOT SHOWN - SEE TSB IT 2009-031 - SEE INST. INSTR. 9098576000
- [2] - FORBEARCAT 20TD TRIPLE S
- [3] - SEE IT 2010-053 - SEE INST. INSTR. 9098672000
- [4] - OPTION - SEE TSB-FC-2016-020



Resource notes:

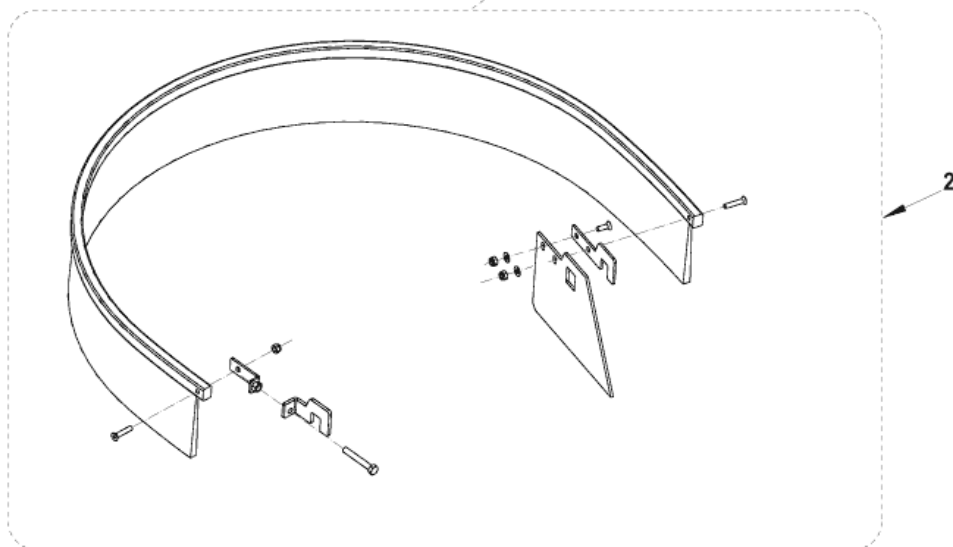
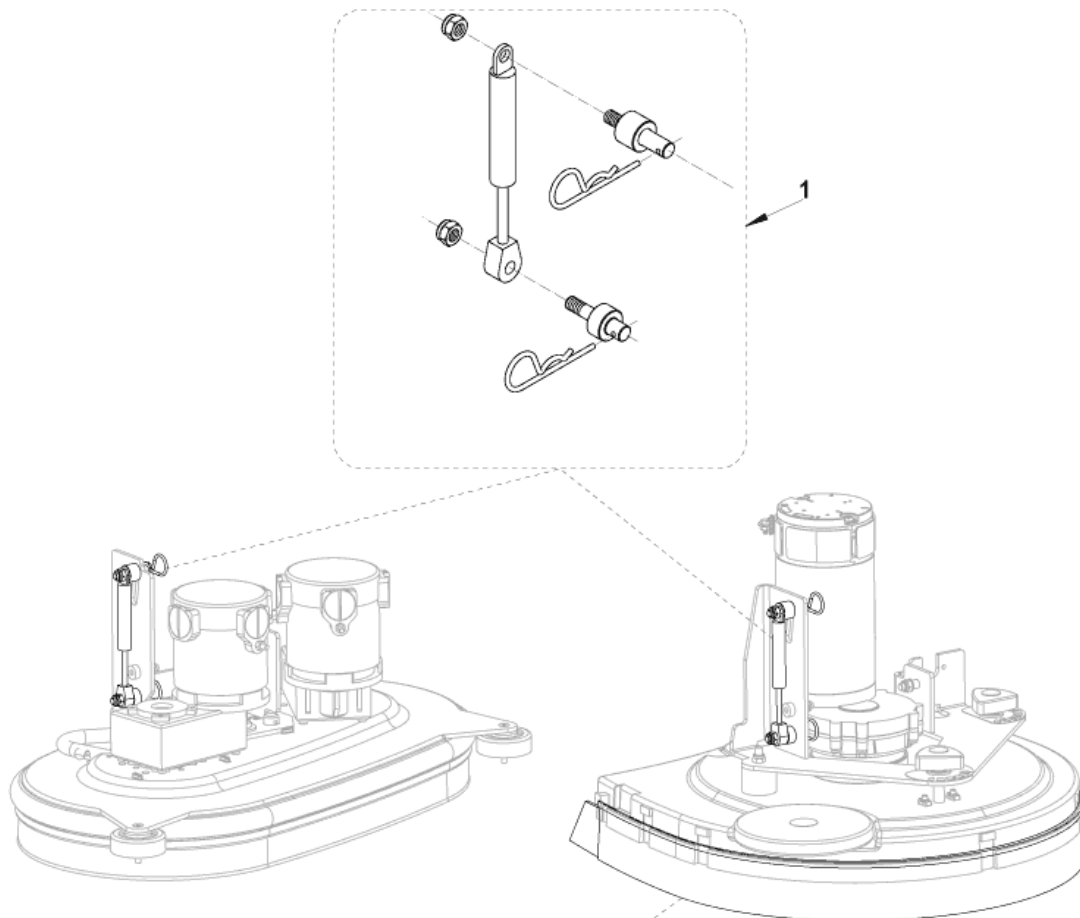
A : ONLY VERSION WITHOUT BATTERY CHARGER ON BOARD B : ONLY VERSION WITH BATTERY CHARGER ON BOARD

Pos.	Vare-nr	Antal	Beskrivelse	Notes
00	909 6613 000	1	HARNESS VACUUM MOTOR	
00	909 6617 000	1	HARNESS ELECTRIC BOX	[1]
00	9096964000	1	HARNESS ELECTRIC BOX	[2]
00	9097590000	1	Batteri Kabel	
00	9100001950	1	HARNESS BATTERY KIT	
00	909 6615 000	1	HARNESS TRACTION MACHINE	[1]
00	9096962000	1	HARNESS TRACTION MACHINE	[3]
00	9098639000	1	HARNESS TRACTION MACHINE	[4]
1	145 8046 000	1	Säkeringshållare	
2	909 6498 000	1	SUPPORT ELECTRIC COMP.	
3	909 6676 000	2	SPACER M4 L25	
4	9098303000	1	HARDWARE ELECTRIC SYSTEM KIT	[5]
5A	9100002117	2	CONNECTOR RED 120A PKD	
6B	9100001064	1	COVER F INSPECTION PLATE TRANSP. SIP	
7B	9096914000	1	Cable Extension Us Plug	
7B	9100000790	1	CABLE EXTENSION EU PLUG L.1000MM PKD	
7B	1466318000	1	CABLE EXTENSION UK PLUG L.2000MM SIP	
8	145 8513 000	2	Sikring 30A	
9	145 3824 000	1	Sikring 40A,Bladsikring	
10	145 1449 000	3	TIE CABLE 3.6x140 BLACK	
11B	9098297000	1	Lader (Indbygget) 24V 13A	
12	9097209000	1	Switch Electromagnetic 24V	
13B	33023396	1	WASHER PLAIN M6X12 ISO7089 10 PCS SET	
14B	145 6132 000	3	INSERT M5	
15	909 6622 000	1	Relæ 24V 40A	
16B	1466964000	1	SCREW M5X20 PAN HD ISO7045 10 PCS SET	
17	1467035000	2	HOLDER FUSE THERMOPL.UL 94-V0 SIP	
18	9100000173	1	CARD ELECTRONIC TRACTION KIT	
18	1466207000	1	PROGRAMMER F ELECTRONIC CARDS PKD	[6]

Part Notes:

- [1] - BEFORE S.NO. 065027814
GUARANTEE DATE EXPIRED
- [2] - STARTING FROM S.NO. 065027814
- [3] - STARTING S/N 065027814
VALID FORBA 551D, BA551CD, BA 611D -UNTIL S/N 102013837 - ref. ECO 3706
- [4] - VALID FORBA 551D, BA551CD, BA 611D -STARTING FROM S/N 102013838 - ref. ECO 3706 EcoFlex
- [5] - contains all Hardware shown in this system
- [6] - SERVICE TOOL - NOT SHOWN

**KIT EXTRA PRESSIONE - EXTRA PRESSURE KIT
(BA 551 / BA 611 D)**



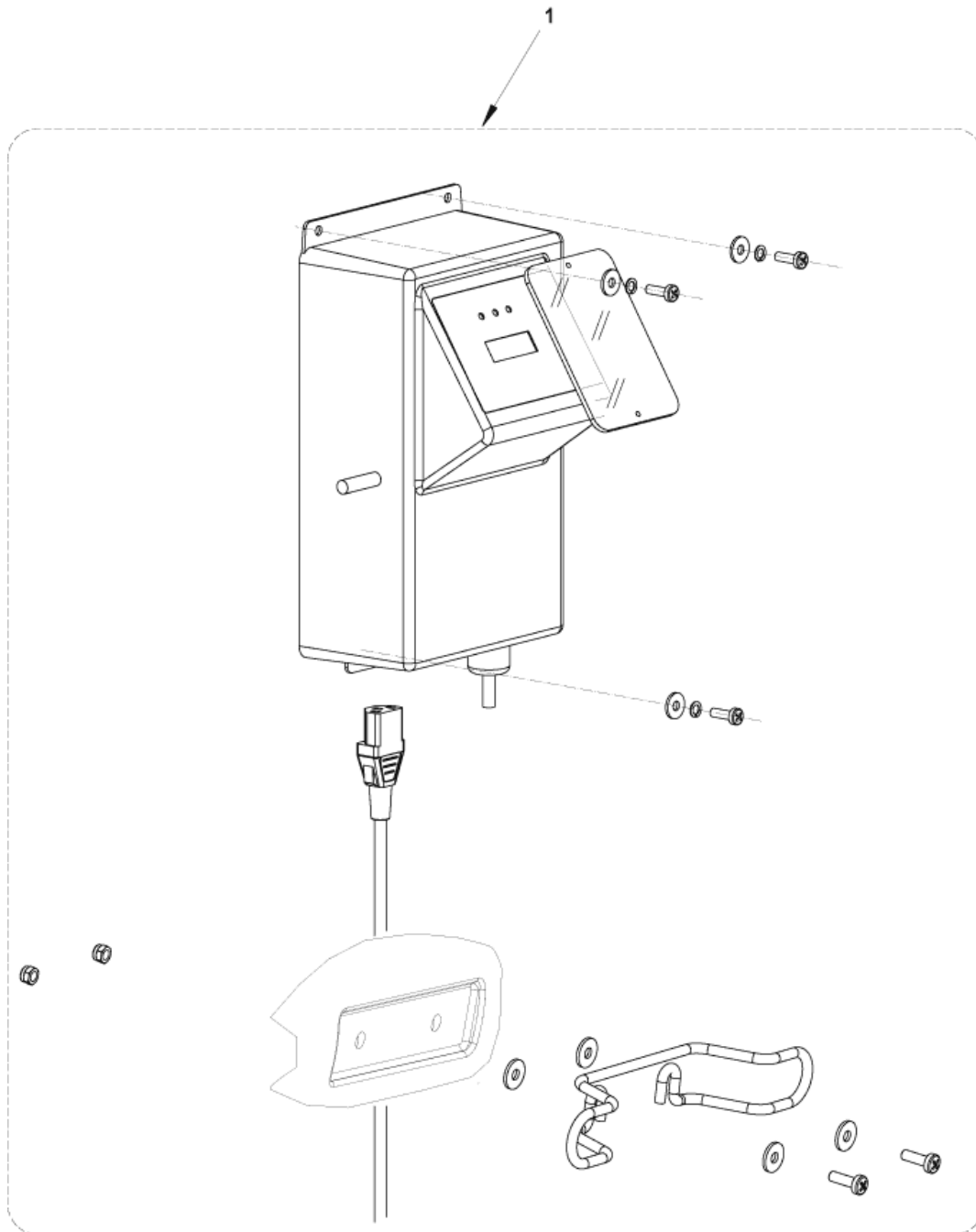
**KIT PARASPRUZZI 20" - SPLASH GUARD 20" KIT
(BA 551 / BA 551 D)**

Pos.	Vare-nr	Antal	Beskrivelse	Notes
1	909 6738 000	1	Børstetryk Ekstra Kit	[1]
2	909 6736 000	1	Stænkskørt kit 21" 530 mm	[2]

Part Notes:

- [1] - SEE INST. INSTR. 909 6759 000
- [2] - SEE INST. INSTR. 909 6745 000

KIT CARICABATTERIA - BATTERY CHARGER KIT



Pos.	Vare-nr	Antal	Beskrivelse	Notes
00	9096914000	1	Cable Extension Us Plug	[1]
00	9098260000	1	CHARGER BATT. ON BOARD 24V 10A 100V	[2]
00	9098259000	1	CHARGER BATT. ON BOARD 24V 10A 100V KIT	[3]
00	9100000790	1	CABLE EXTENSION EU PLUG L.1000MM PKD	[4]
00	1467891000	1	CABLE EXTENSION SWISS PLUG L.2000MM SIP	
1	909 6739 000	1	Indbygget oplader kit	[5]

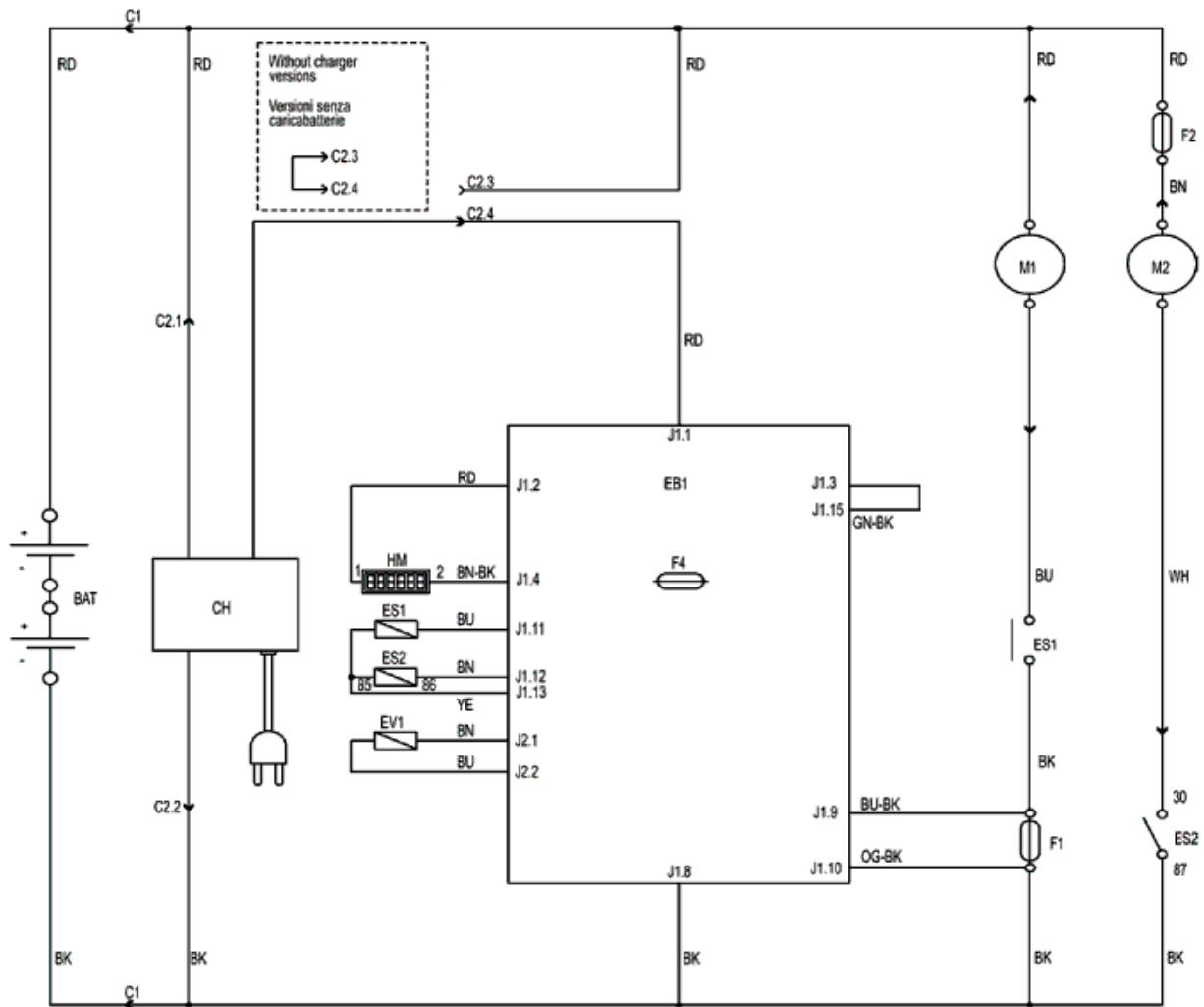
Part Notes:

- [1] - US
- [2] - JAPAN
- [3] - JAPAN -OPTIONAL- INST.INSTR. 9098262000
2020 ACCESSORY PRUNING
- [4] - EU
- [5] - EU - OPTIONAL - see INST.INSTR. 909 6746 000

Pos.	Vare-nr	Antal	Beskrivelse	Notes
00	909 6187 000	1	HARNES PUMP	[1]
00	909 6902 000	1	DECAL REWRITABLE 176X111MM	[1]
00	9097773000	1	Decals Kit BA 551/611	[1]
00	9098264000	1	HARDWARE EDS SYSTEM KIT	[1]
1	909 6744 000	1	Ecoflex kit	[2]
2	909 6807 000	1	HOSES CHEMICAL MIX KIT	
3	9098777000	1	Vinkel	
7	9097166000	1	Filter Complete Kit	
9	56315108	1	Pumpe 24V	
10	909 6903 000	1	Ecoflex Kemibeholder Kit	
11	9100001817	1	CAP PLASTIC F DETERGENT SOLU. TANK SIP	
12	56315522	1	Check Valve 1/8 Barb 12 5Psi	
13	56315523	1	Låg Ecoflex Beholder Lille	
14	56315527	1	Rør Ecoflex Beholder	
15	L08603893	1	Filternet+Pakn. Til 909 5151 000	
16	909 6592 000	1	DECAL DETERGENT ADJUST.	
20	9100001819	1	PUMP CHEMICAL MIX KIT	
22	909 6092 000	1	HOLDER RUBBER T	
23	909 6535 000	1	SUPPORT ALU F DETERGENT SOLUTION TANK	

Part Notes:

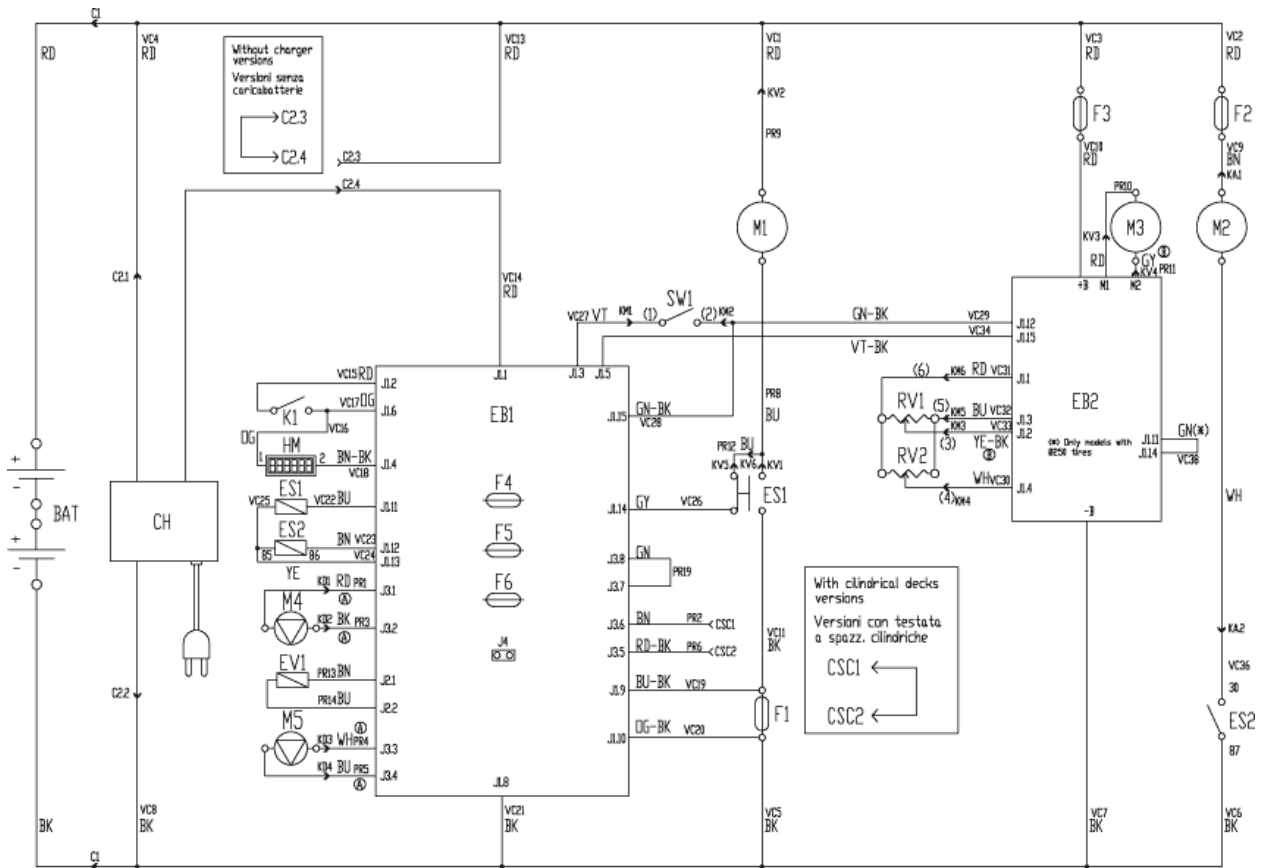
- [1] - NOT SHOWN
 [2] - SEE INST. INSTR. 909 6747 000



WIRING DIAGRAM
BA 551
Rev. A
909 6530 000

COMPONENTS / COMPONENTI		
BAT	24V BATTERIES	BATTERIE 24V
C1	BATTERY CONNECTOR	CONNETTORE BATTERIE
C2	CHARGER CONNECTOR	CONNETTORE CARICABATTERIE
CH	BATTERY CHARGER (OPT)	CARICABATTERIE (OPT)
CS	BRUSH DECK CONNECTOR	CONNETTORE TESTATA SPAZZOLE
EB1	CONTRL PANEL BOARD	SCHEDA ELETTRONICA CONTROLLO FUNZIONI
ES1	BRUSH MOTOR ELECTROM. SWITCH	TELERIUTTORE MOTORI SPAZZOLE
ES2	VACUUM MOTOR ELECTROM. SWITCH	RELE ASPIRATORE
EV1	WATER ELECTROVALVE	ELETTROVALVOLAACQUA
F1	BRUSH DECK FUSE	FUSIBILE TESTATA SPAZZOLE
F2	VACUUM MOTOR FUSE	FUSIBILE ASPIRATORE
F4	LOW POWER CIRCUIT FUSE	FUSIBILE CIRCUITI DI SEGNALE
HM	HOURMETER (OPT)	CONTAORE (OPT)
M1	BRUSH MOTOR	MOTORE SPAZZOLA
M2	VACUUM MOTOR	MOTORE ASPIRATORE

Pos.	Vare-nr	Antal	Beskrivelse	Notes
------	---------	-------	-------------	-------



WIRING DIAGRAM - BA 551D / BA 551CD / BA 611D

Rev. C

909 6529 000

COMPONENTS / COMPONENTI					
BAT	24V BATTERIES	BATTERIE 24V	K1	KEY SWITCH	CHIAVE
C1	BATTERY CONNECTOR	CONNETTORE BATTERIE	M1	BRUSH MOTOR	MOTORE SPAZZOLA
C2	CHARGER CONNECTOR	CONNETTORE CARICABATTERIE	M2	VACUUM MOTOR	MOTORE ASPIRATORE
CH	BATTERY CHARGER (OPT)	CARICABATTERIE (OPT)	M3	DRIVE MOTOR	MOTORE TRAZIONE
CSC	CILINDRICAL DECK SECONDARY CONNECTOR	CONN. SECONDARIO TESTATA SPAZZ. CILINDRICHE	M4	WATER PUMP (OPT)	POMPA ACQUA (OPT)
EB1	CONTROL PANEL BOARD	SCHEDA ELETTRONICA CONTROLLO FUNZIONI	M5	DETERGENT PUMP (OPT)	POMPA DETERGENTE (OPT)
EB2	DRIVE ELECTRONIC BOARD	SCHEDA ELETTRONICA TRAZIONE	RV1	SPEED POTENTIOMETER	POTENZIOMETRO VELOCITA'
ES1	BRUSH MOTOR ELECTROM. SWITCH	TELERUTTORE MOTORI SPAZZOLE	RV2	MAX SPEED POTENTIOMETER	POTENZIOMETRO VELOCITA' MASSIMA
ES2	VACUUM MOTOR ELECTROM. SWITCH	RELE' ASPIRATORE	SW1	BRUSHES / DRIVE MICROSWITCH	MICROINTERR. CONSENSO SPAZZOLE/TRAZIONE
EV1	ELECTROVALVE	ELETTROVALVOLA			
F1	BRUSH DECK FUSE	FUSIBILE TESTATA SPAZZOLE			
F2	VACUUM MOTOR FUSE	FUSIBILE ASPIRATORE			
F3	DRIVE SYSTEM FUSE	FUSIBILE SISTEMA DI TRAZIONE			
F4	LOW POWER CIRCUIT FUSE	FUSIBILE CIRCUITI DI SEGNALE			
F5	BRUSH RELEASE FUSE	FUSIBILE SGANCIO SPAZZOLE			
F6	PUMP FUSE	FUSIBILE POMPE			
HM	HOURLMETER (OPT)	CONTAORE (OPT)			

Pos.	Vare-nr	Antal	Beskrivelse	Notes
------	---------	-------	-------------	-------

Pos.	Vare-nr	Antal	Beskrivelse	Notes
1	909 6671 000	1	Rentvandsfilter	
2	909 6521 000	1	Slange For Rent Vand	
3	33023302	1	CAP BLACK SIP	
4	909 6554 000	1	Cap With Chain	
5	909 6874 000	1	Cable Tank Kit	
6	9098265000	1	Mont.Sæt F. Rentvandstank	
7	9099853000	1	HOSE SQUEEGEE VACUUM BLACK KIT	
8	9100001892	1	HOSE DRAIN L.1480MM 90 BLACK PKD	
9	9100000818	1	CAGE FLOAT HALF 2 PCS SET	
10	9100000817	1	BALL FLOATING PKD	
12	9100001348	2	CLAMP HOSE 32-52/12 10 PCS SET	
13	1466138000	1	CAP BLACK PPL DE 42X11.5 PKD	
14	9099986000	1	HOSE ANTIREFLOW	
15	909 6877 000	1	Hardware Motor Fixing Kit	
16	909 6876 000	1	Hardware Cage Sup.Fix.Kit	[1]
17	9099401000	1	Motor Vacuum Kit	
18	909 5371 000	2	Kul, Sugemotor 410/343	
19	909 6491 000	1	Panel Acoustic Insulation	
20	909 6490 000	1	Gasket Vacuum Motor	
21	909 6489 000	1	Gasket Vacuum Motor	
22	909 6880 000	1	Castorhjul Kit	
23	909 6880 000	1	Castorhjul Kit	
24	909 6878 000	1	Hardware Chas. Fixing Kit	
25	9099691000	1	WHEELS KIT	
26	909 6548 000	1	Køremotor 200W 24V Ba450/551/611	
27	909 6503 000	2	WHEEL FRONT D.250	
28	145 5124 000	2	Kul F. Aw 455 Børstemotor	
29	L08812282	2	Cam Controller Ba450/530	
30	9098300000	1	Hardware Handle Assembly	
31	9100001062	1	POTENTIOMETER 5K 40 PKD	
32	9096994000	1	Valve Elbow	
33	9097166000	1	Filter Complete Kit	
34	9096996000	1	Valve Elbow W/Pipes Kit	
35	909 6555 000	1	Solenoid Valve 24V	
36	9100000106	1	HOLDER RUBBER 1/2 FEMALE KIT	
37	9098777000	1	Vinkel	

Part Notes:

- [1] - due to ODM/ECN 2810 should have been considered valid for all
Machine configurations which were using it ONLY Before Serial Number 081813772 (Beginning of May 2008).
GUARANTEE DATE EXPIRED

Resource notes:

POSITIONS 7-9: 909 6483 000 - 909 6484 000 included in the kit 909 6860 000
POSITIONS 8-10: L08603832 - L08603830 included in the kit 9097499000

Pos.	Vare-nr	Antal	Beskrivelse	Notes
01	909 6055 000	1	Holder For Sugegummi	
02	L08603831	1	Strap Front	
03	909 6044 000	1	"Sugefod 30"" Kun Metaldel "	
04	9100000962	1	SQUEEGEE 830MM 33 METAL SIP	
05	9097637000	1	Monteringsskrue (2 Stk)	
06	9100000791	1	KNOB M8X30 THD STUD SS PKD	
11	909 6851 000	1	Sugefod, komplet	
12	909 5372 000	1	"Sugefod Kit 33"" Komplet "	
13	909 6882 000	1	Skinnekit	
14	909 6894 000	1	Hardware Squeegee Blade Fixing Kit	
15	909 6883 000	1	Hjul For Squeegeerkit	
16	9100000573	1	Hjul til sugefod kit	
17	909 6884 000	1	Påkørselshjul, Kit	
18	L08603880	1	Stødhjulskit, Sugefod	
19	909 6394 000	1	Latch Squeegee Kit	
20	909 6885 000	1	Squeegee Justeringskit Ba451-551	
22	909 6042 000	1	Børste Dæksel	
23	9098308000	1	Gearmotor 450W 24V	
24	9098376000	1	CARBON BRUSHES KIT 4 PCS	
25	L08812306	1	Polyg. Flange Ba450/530	
26	L08601624	1	Slangestuds Plast	
27	9100000868	1	VIBRATION DAMPING M8 60SH 2 PCS SET	
28	1467692000	2	PIN SPRING COTTER 3X56 GALV. 2 PCS SET	
29	909 6514 000	1	Spring Gas	
30	9097093000	1	Børsteholder Poly Kit	
31	909 6887 000	1	Stødhjul	
32	9099419000	1	Justeringssæt F. Børste	
33	145 4366 000	1	HOLDER RUBBER T D.12	
34	909 5772 000	1	PIPE COPPER F WATER BRUSH	
35	9098489000	1	Guards Splash Kit	
36	909 5805 000	1	Skidtkasse 651Bcl Scrubtec 651Bcl Cyl.	
37	9096983000	2	REDUCTION GEARMOTOR 300W 24V	[1]
38	1464432000	1	Brush Carbon Kit 4Pcs	
39	909 5820 000	2	Belt Poly-V	
40	909 5870 000	1	HOSE PVC W/SPIRAL D.10X16 L.190MM SIP	
41	9098488000	1	Afviserrulle-Sæt	
42	9098485000	1	Belt Tensioner Kit	
43	9098486000	1	Monteringsplade	
44	9098487000	1	Support Pulley Cyl.Brush	

Part Notes:

[1] - CARBON BRUSH KIT 1464432000

Pos.	Vare-nr	Antal	Beskrivelse	Notes
01	L08812306	1	Polyg. Flange Ba450/530	
02	1467692000	1	PIN SPRING COTTER 3X56 GALV. 2 PCS SET	
03	L08812306	1	Polyg. Flange Ba450/530	
04	9100000678	2	REDUCTION GEARMOTOR 350W 24V PKD	
05	L08812589	1	Holder Polyg./W/Flange Kit	
06	9097093000	1	Børsteholder Poly Kit	
07	909 5398 000	1	Spændebånd, Stærkskørte BA 650/600S	
08	909 6891 000	1	Y-Stykke Til Rentvand Kit Deck Kit	
09	909 5894 000	1	Roller Bumper Kit BA 650/750/600S	
10	909 6893 000	2	Carbon Brush Kit -4Pcs-	
11	909 6380 000	1	Slangeklemme Kit	
12	9100000174	1	CARD ELECTRONIC FUNCTIONS SIP	
13	9098635000	1	Decal Control Panel	
14	9100001354	1	SWITCH KEY WITH CAP PKD	
15	9100000175	1	CARD ELECTRONIC FUNCTIONS KIT	
16	909 6057 000	1	Decal Control Panel	
17	9100000878	1	FUSE BLADE 3A SIP	
18	909 6678 000	1	FUSE 20A GLASS DELAYED	[1]
19	9100000173	1	CARD ELECTRONIC TRACTION KIT	
20	9100000792	1	MICROSWITCH 16A 250V PKD	
21	9100002117	2	CONNECTOR RED 120A PKD	
22	9097209000	1	Switch Electromagnetic 24V	
23	909 6622 000	1	Relæ 24V 40A	
24	145 3824 000	1	Sikring 40A, Bladsikring	
25	145 8513 000	1	Sikring 30A	
26	9098297000	1	Lader (Indbygget) 24V 13A	
27	909 6744 000	1	Ecoflex kit	
28	909 6807 000	1	HOSES CHEMICAL MIX KIT	
29	9098777000	1	Vinkel	
30	56315108	1	Pumpe 24V	
31	909 6903 000	1	Ecoflex Kemibeholder Kit	
32	9100001817	1	CAP PLASTIC F DETERGENT SOLU. TANK SIP	
33	56315522	1	Check Valve 1/8 Barb 12 5Psi	
34	56315523	1	Låg Ecoflex Beholder Lille	
35	56315527	1	Rør Ecoflex Beholder	
36	9097166000	1	Filter Complete Kit	
37	9100001819	1	PUMP CHEMICAL MIX KIT	
38	909 6092 000	1	HOLDER RUBBER T	

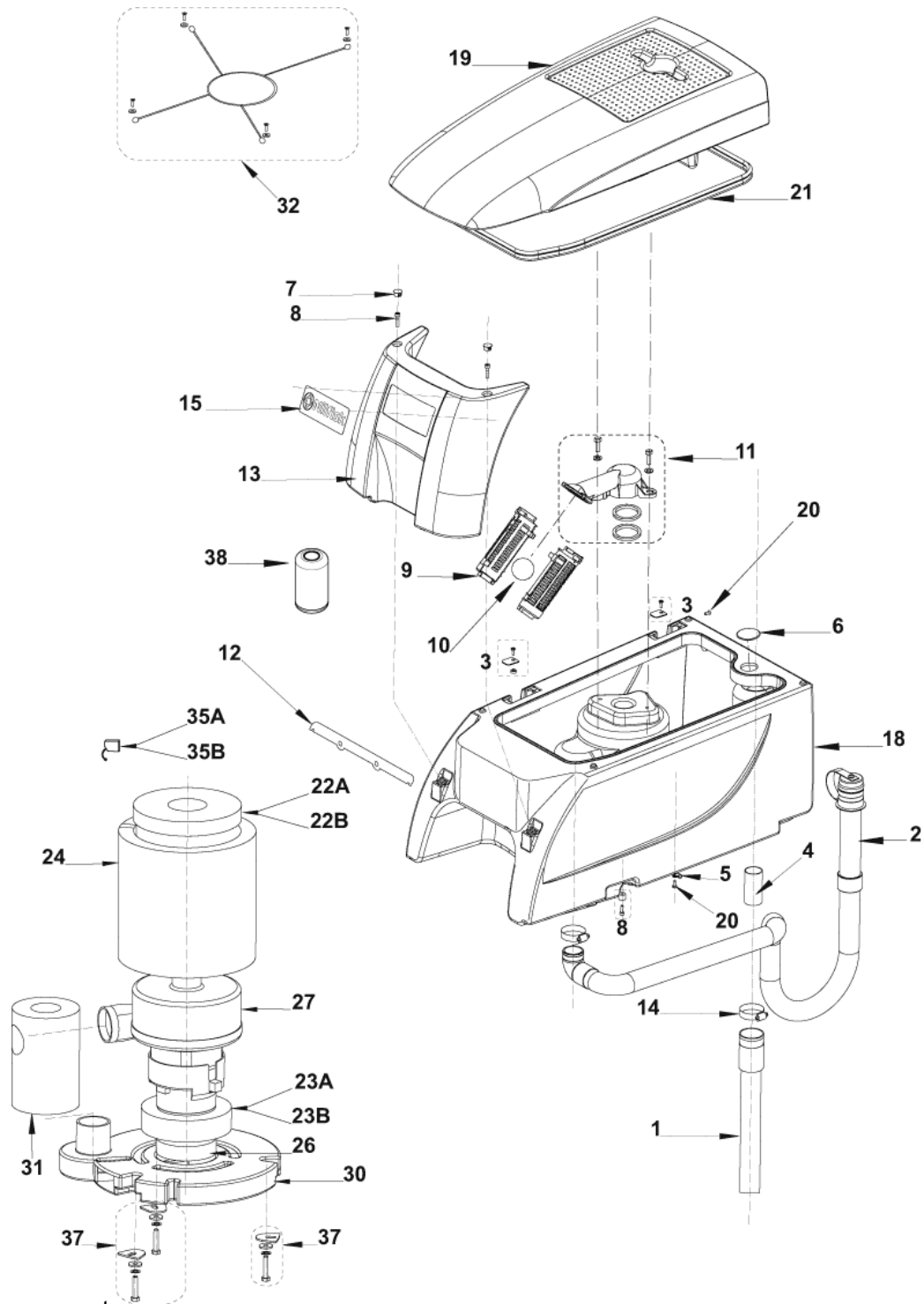
Part Notes:

[1] - STOCK COVERS GUARANTEE

Pos.	Vare-nr	Antal	Beskrivelse	Notes
1	9097290000	1	Påfyldningsslange	
2	9100001353	1	FILTER SOLUTION TANK PKD	
3	9096951000	1	Timetæller kit, 24 V	
4	909 6734 000	1	Gummistrop Til Låg	
5	9098947000	1	Bløde drejehjul	[1]
6	9097026000	2	Trækjul, olieresistente, Ø300 mm	[2]
7	909 6736 000	1	Stænkskørt kit 21" 530 mm	
8	909 6848 000	1	DECK BRUSH 530MM/21 KIT WITH	
9	L08837025	1	Børste Prolene 21" Ø530 mm	
10	L08837026	1	Børste Prolite 21" Ø530 mm	
11	L08837027	1	Børste naturhår 21" Ø530 mm	
12	L08837028	1	Børste Midlite Grit 180 21" Ø530 mm	
13	L08837029	1	Børste Clean Grit 21" Ø530 mm	
14	L08837065	1	Børste Magna Grit 46 21" Ø530 mm	
15	L08837066	1	Børste Dyna Grit 80 21" Ø530 mm	
16	L08837067	1	Børste Aglite Grit 500 21" Ø530 mm	
17	L08837018	1	Rondelholder 21" Ø530 mm	
18	909 6849 000	1	DECK BRUSH 510MM/20 CYL KIT	
19	909 5823 000	2	Cylinderbørste polypropylen 510 mm 0,4	
20	909 5824 000	2	Cylinderbørste polypropylen 510 mm 0,45	
21	909 5825 000	2	Cylinderbørste polypropylen 510 mm 0,6	
22	909 6850 000	1	Børstedæk M/Sugefod 61Cm	
23	L08603842	2	Børste Prolene 12" Ø305 mm "Blå"	
24	L08603873	2	Børste Mid Grit 180 12" Ø305 mm	
25	L08603872	2	Børste Midlite Grit 240 12" Ø305 mm	
26	L08603874	2	Børste Prolite 12" Ø305 mm	
27	L08603875	2	Børste Union Mix 12" Ø305 mm	
28	9099670000	2	Rondelholder 12" Ø305 mm Velcro	
29	L08603878	1	Squeegee Komp.Ba450/530	
30	9100000279	1	Sugegummi kit sværtefri 29" 740 mm	
31	909 6858 000	1	Sugegummi kit polyurethan 29" 740 mm	
33	909 6859 000	1	Sugegummi kit polyurethan 33" 830 mm	
34	909 5629 000	1	Sugelæbe Front Ba600/Ba65 Afsmitningsfri	
35	909 6744 000	1	Ecoflex kit	
36	909 6738 000	1	Børstetryk Ekstra Kit	
37	909 6739 000	1	Indbygget oplader kit	
38	9098853000	1	Elbow 90 Suct.Hose Kit Ra L7001	[3]

Part Notes:

- [1] - OPTION - WIDER WHELL FOR SPECIAL APPLICATIONS
 [2] - ITEM NO LONGER AVAILABLE
 [3] - TSB IT 2010-061. Squeegee hose elbow



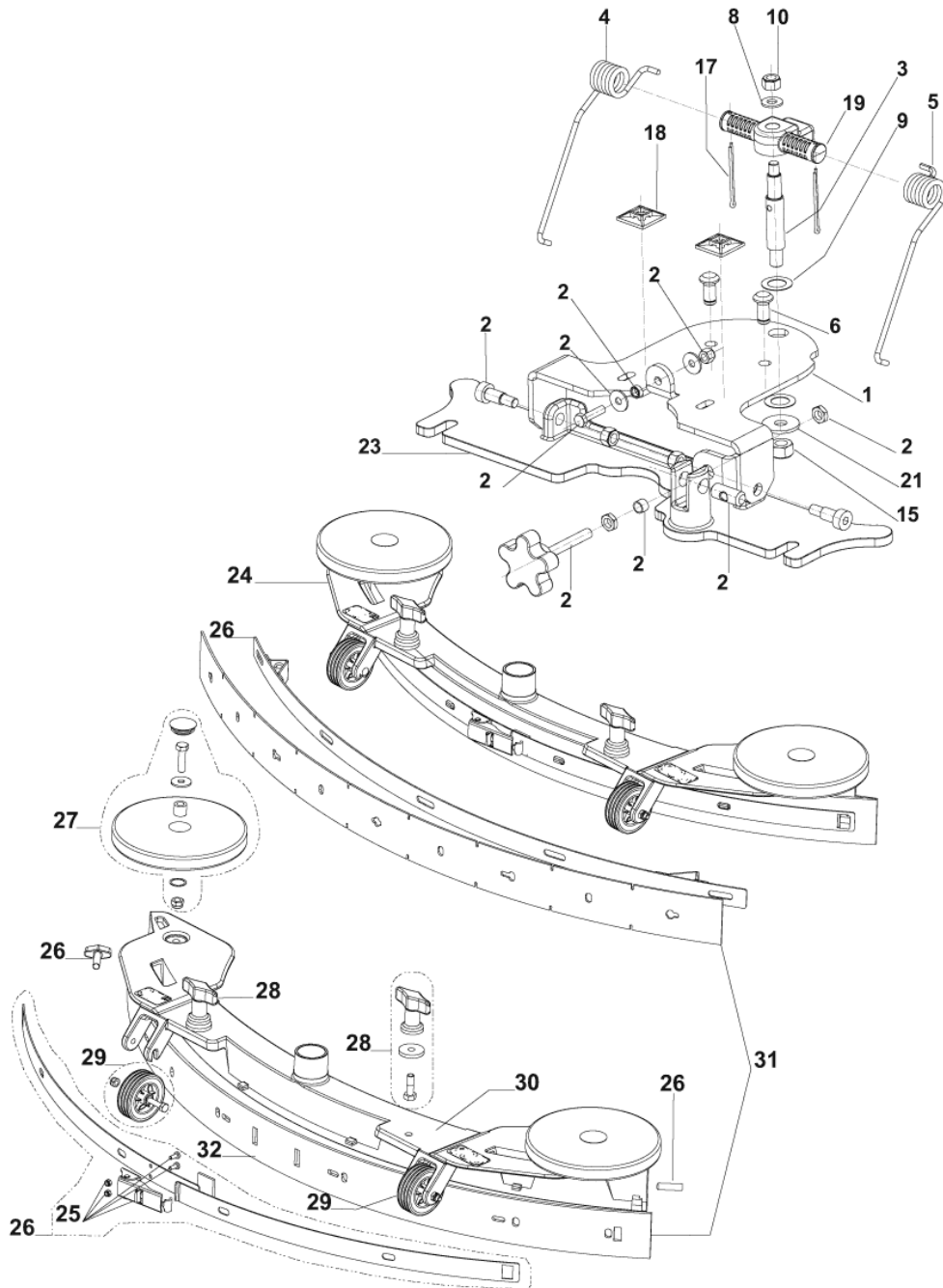
Resource notes:

AFOR MOTOR 9099401000 (AMETEK) BFOR MOTOR 9098062000 (VIPER)

Pos.	Vare-nr	Antal	Beskrivelse	Notes
00	909 6876 000	1	Hardware Cage Sup.Fix.Kit	[1]
1	9099853000	1	HOSE SQUEEGEE VACUUM BLACK KIT	
2	9100001892	1	HOSE DRAIN L.1480MM 90 BLACK PKD	
3	9097654000	1	Holder, Låg	
4	9099986000	1	HOSE ANTIREFLOW	
5	L08239900	1	CLAMP D.6 WHITE	
6	1466138000	1	CAP BLACK PPL DE 42X11.5 PKD	
7	145 8008 000	2	PLUG DOME O.D. 18.2 PLASTIC BLACK	
8	9098451000	1	HARDWARE RECOVERY TANK KIT	
9	9100000818	1	CAGE FLOAT HALF 2 PCS SET	
10	9100000817	1	BALL FLOATING PKD	
11	9100001875	1	SUPPORT FLOAT KIT	[2]
12	9097044000	1	GASKET TANK	
13	909 6224 000	1	PANEL FRONT RECOVERY TANK	
14	9100001348	1	CLAMP HOSE 32-52/12 10 PCS SET	
15	9097773000	1	Decals Kit BA 551/611	
18	9100000773	1	TANK RECOVERY 55 LT PKD	
19	909 6050 000	1	Cover,Tank 55 Lt	
20	909 6337 000	2	SCREW M5X12 PAN HD PHIL ISO7045	
21	146 0741 000	1	Pakning	
22A	909 6489 000	1	Gasket Vacuum Motor	
22B	9098055000	1	GASKET VACUUM MOTOR	[3]
23A	909 6490 000	1	Gasket Vacuum Motor	
23B	9097555000	1	Gasket vacuum moter	
24	909 6491 000	1	Panel Acoustic Insulation	
26	909 6672 000	1	Filter	
27	9099401000	1	Motor Vacuum Kit	
30	9100001246	1	COVER VACUUM MOTOR PKD	
31	909 6442 000	1	Pipe,Acoustic Insulation	
32	909 6734 000	1	Gummistrop Til Låg	[4]
35A	909 5371 000	2	Kul, Sugemotor 410/343	
35B	ZD53501A	1	CARBON BRUSH SET -3 STAGE VAC	
37	909 6877 000	1	Hardware Motor Fixing Kit	
38	909 5065 000	1	Anti-skumfilter	[5]

Part Notes:

- [1] - due to ODM/ECN 2810 should have been considered valid for all
Machine configurations which were using it ONLY Before Serial Number 081813772 (Beginning of May 2008).
GUARANTEE DATE EXPIRED
NOT SHOWN
- [2] - SEE INST.INSTR. 9100001876
- [3] - GUARANTEE DATE EXPIRED
- [4] - OPTIONAL
- [5] - OPTIONAL - SEE TSB IT 2008-002



Pos.	Vare-nr	Antal	Beskrivelse	Notes
00	9097548000	1	Pakning, Nylon Kit Til Skviser	[1]
1	909 6494 000	1	Bracket, Squeegee Support	
2	909 6885 000	1	Squeegee Justeringskit Ba451-551	
3	909 6497 000	1	Bolt,Squeegee	
4	909 6537 000	1	Fjeder Til Squeegee	
5	909 6538 000	1	Fjeder Til Squeegee	
6	909 6543 000	2	Pin, Squeegee Fixing	
8	33023208	1	WASHER M8 UNI6592 10 PCS SET	
9	L08238300	2	Skive	
10	33023574	1	NUT LOCK HEX M8 ISO10511 PCS 10 SET	
15	33005608	1	Møtrik M10 Uni7474	
17	33005758	2	Split Til Sugefod	
18	909 6635 000	2	Holder	
19	9100000515	1	SUPPORT SQUEEGEE SPRING PKD	
21	L08604251	1	Disc 10,5 Ba340/450/530	
23	909 6045 000	1	Beslag Til Sugefod	
24	9097539000	1	Squeegee Cpl. BA 611 D Kit	
25	909 6394 000	1	Latch Squeegee Kit	
26	9097634000	1	Squeegee Blades Fixing Ki T	
27	909 6887 000	2	Stødhjul	
28	9097637000	1	Monteringskrue (2 Stk)	
29	909 6883 000	1	Hjul For Squeegee Kit	
30	9097198000	1	SQUEEGEE 830MM 33 ALU	
31	9100000280	1	Sugegummi kit sværtefri 33" 840 mm	

Part Notes:

[1] - NOT SHOWN - SEE TSB IT 2007-031

