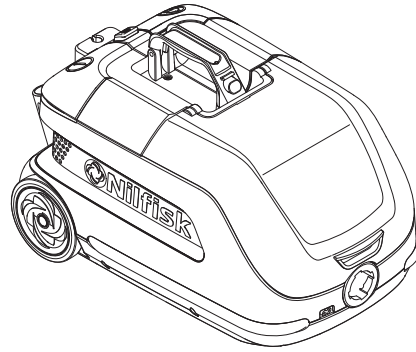


# PARTS LIST

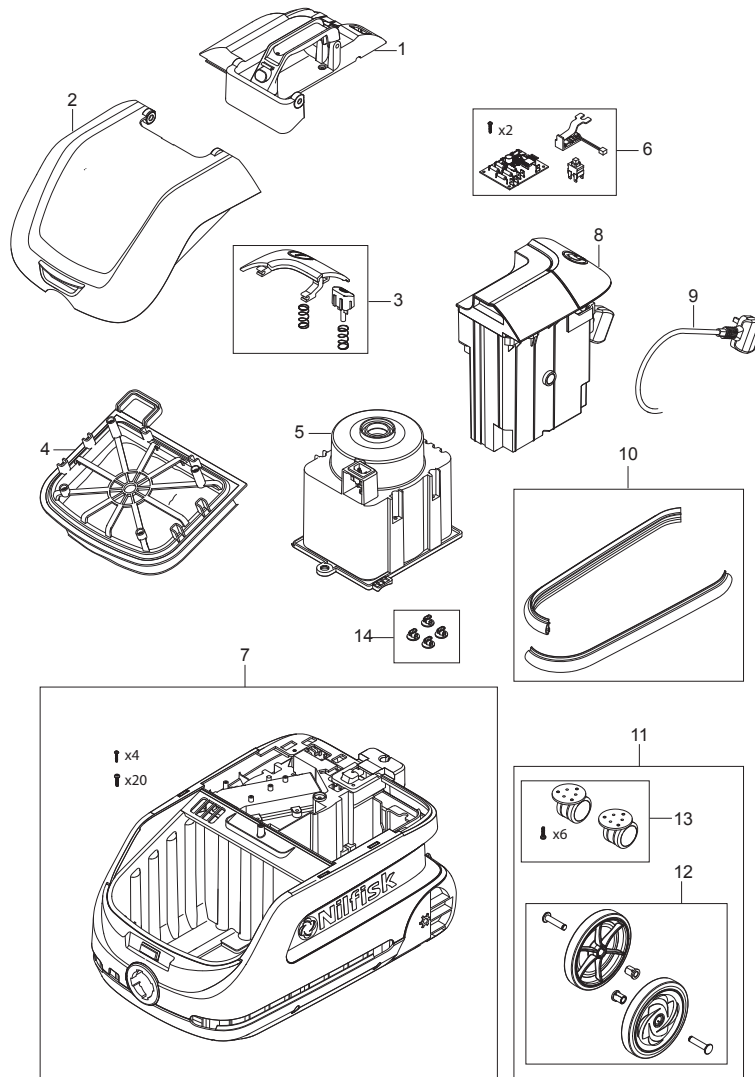


2019.06.17

# TABLE OF CONTENTS

---

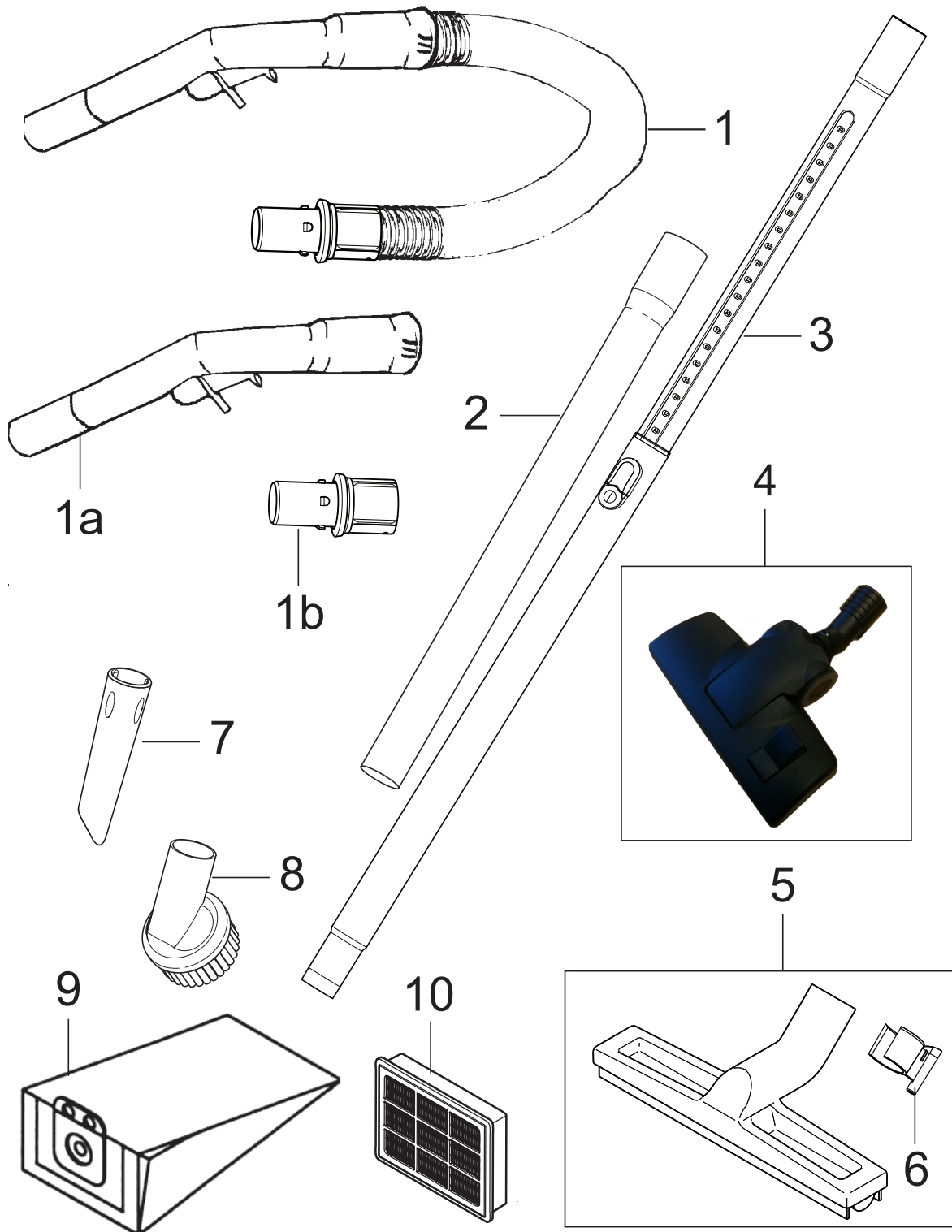
Overview .....	1
Accessories .....	3
Recommended spare parts .....	5



Pos.	Vare-nr	Antal	Beskrivelse	Notes
0	107416446	1	BOX KIT FOR VP600	[1]
1	107414237	1	HANDLE KIT WITHOUT DUAL	[2]
1	107413062	1	Håndtag kit	[3]
2	107413059	1	Låg	
3	107413064	1	BOTTON KIT	
4	107413056	1	Filterindsats	
5	107413052	1	MOTORMODUL EU	
5	107413053	1	MOTORMODUL US	
5	107413054	1	MOTORMODUL JP	
6	107413067	1	PCB KIT EU	[4]
6	107413068	1	PCB KIT CN	[4]
6	107418963	1	PCB KIT ECO	[5]
7	107413058	1	PLASTIC KIT	
7	107413066	1	BODY KIT	
8	107413042	1	POWER MODUL FIXED UK	
8	107413043	1	Power-modul fikseret	
8	107413044	1	Power-modul aftagelig	
8	107413045	1	POWER MODULE DETACH AUS/NZ	
8	107413046	1	POWER MODUL DETACH CN	
8	107413047	1	POWER MODUL DETACH US	
8	107413048	1	Power-modul oprul	
8	107413049	1	POWER MODUL REWINDER AUS/NZ	
8	107413050	1	POWER MODUL REWINDER JP	
8	107413051	1	Power-modul oprul UK	
9	107402678	1	DETACH CORD SET 10M ORG AUS/NZ	
9	140 6800 650	1	Cord Set 10M Eu	
9	140 6643 580	1	CORD SET 10.5M UK	
9	107413071	1	POWERCORD DETACHABLE CN	
9	107402901	1	Aftagelig ledning 15 m orange	
9	107413073	1	POWERCORD DETACHABLE US	
10	107413065	1	BUMPER KIT	
11	107413055	1	WHEEL KIT	
12	107413063	1	WHEEL KIT BACK	
13	147 1040 500	1	Drejehjul Kit Extreme	
14	107413069	1	Q TURN	

## Part Notes:

- [1] - 10 pcs.
- [2] - Without dual
- [3] - Dual
- [4] - AE-COM-LI-vac 2015-002 - VP600 PCB
- [5] - ECO



Pos.	Vare-nr	Antal	Beskrivelse	Notes
1	107415116	1	Slange antistatisk Ø32	
1	147 0765 500	1	Sugeslange komplet sort 1,9 m Ø32	
1a	107417894	1	Rørbøjning Ø32	
1b	107416215	1	HOSE CONNECTION ABS	
2	011 6431 500	1	Forlængerrør alu 500 mm 1 stk. Ø32	
3	011 8130 500	1	Teleskoprør alu Ø32	
4	107417790	1	Kombimundstykke	[1]
4	107413075	1	Kombimundstykke Ø32	
5	107413081	1	PARKETMUNDSTYKKE 495MM	
5	107413080	1	Parke mundstykke 350 mm	
5	140 6700 540	1	Parke mundstykke 300 mm Ø32	
6	147 0585 500	1	Parkerings Clips, Sort	
7	147 0146 500	1	Fugemundstykke 153 mm Ø32	
8	140 8244 500	1	Rundbørste Ø32	
9	107413076	1	Støvsugerposer fleece (10 stk.)	
9	107413077	1	Støvsugerposer papir (10 stk.)	
10	107409854	1	HEPA 14 filter	
10	147 1250 500	1	HEPA 13 filter	

## Part Notes:

[1] - Only CN



Pos.	Vare-nr	Antal	Beskrivelse	Notes
1	107413064	1	BOTTON KIT	
2	107413056	1	Filterindsats	
3	107413052	1	MOTORMODUL EU	
4	107413053	1	MOTORMODUL US	
5	107413054	1	MOTORMODUL JP	
6	107413067	1	PCB KIT EU	
7	107413068	1	PCB KIT CN	
8	107413042	1	POWER MODUL FIXED UK	
9	107413043	1	Power-modul fikseret	
10	107413044	1	Power-modul aftagelig	
11	107413045	1	POWER MODULE DETACH AUS/NZ	
12	107413046	1	POWER MODUL DETACH CN	
13	107413047	1	POWER MODUL DETACH US	
14	107413048	1	Power-modul oprul	
15	107413049	1	POWER MODUL REWINDER AUS/NZ	
16	107413050	1	POWER MODUL REWINDER JP	
17	107413051	1	Power-modul oprul UK	
18	107402678	1	DETACH CORD SET 10M ORG AUS/NZ	
19	140 6800 650	1	Cord Set 10M Eu	
20	140 6643 580	1	CORD SET 10.5M UK	
21	107413071	1	POWERCORD DETACHABLE CN	
22	107402901	1	Aftagelig ledning 15 m orange	
23	107413073	1	POWERCORD DETACHABLE US	
24	107413055	1	WHEEL KIT	
25	107413069	1	Q TURN	



