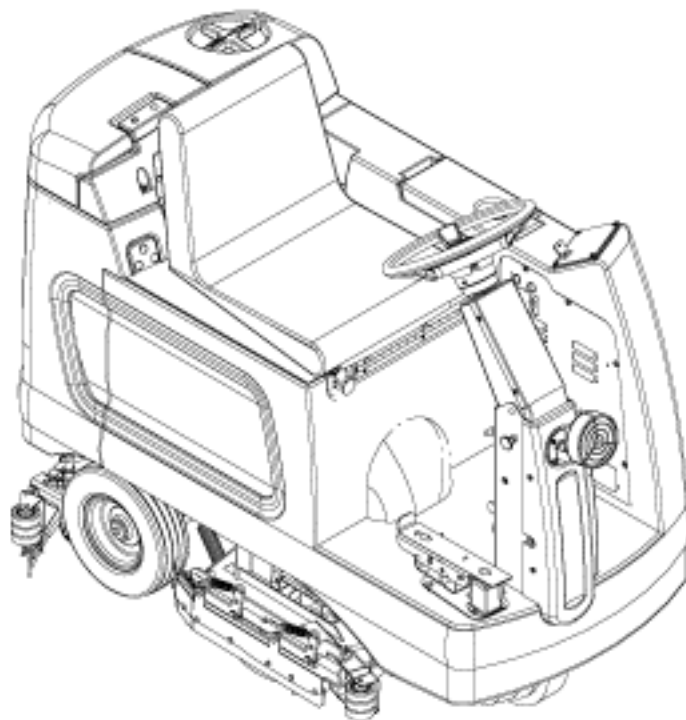


PARTS LIST



2018.11.26

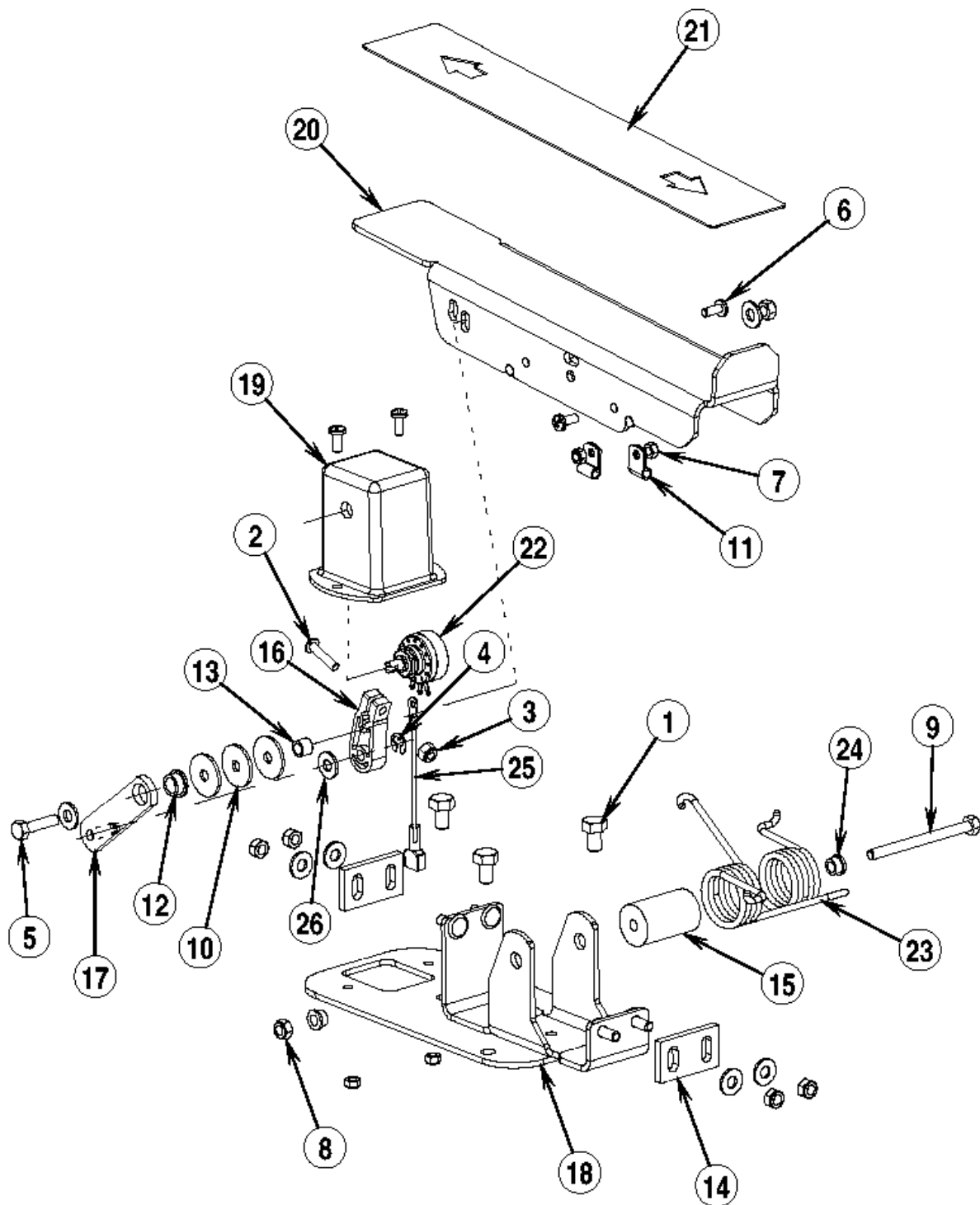
TABLE OF CONTENTS

Chassis system	1
STYREPEDALSAMLING	3
Steering assembly	5
Front wheel assembly	8
Decal system	10
Scrub system (disc)	12
Scrub system left skirt assembly (disc)	15
Scrub system righth skirt assembly (disc)	17
Scrub system (cylindrical)	19
Scrub system left skirt assembly (cylindrical)	22
Scrub system right skirt assembly (cylindrical)	24
Solution system	26
Recovery system	28
Squeegee system	30
Squeegee assembly	32
Electrical system	34
Optional kits	37
Optional kits	39
Optional kits	41
Wiring diagram	43
Brush selector guide (disc)	45
Brush selector guide (cylindrical)	47
56412223 - Vacuum Wand Caddy Kit with inserts A	49
56412223 - Vacuum Wand Caddy Kit without inserts A	51
56412464 - Spindle Repair Kit	53

Pos.	Vare-nr	Antal	Beskrivelse	Notes
00	56420143	1	Armlænskit Br850	[1]
00	56109306	1	SIKKERHEDS SELE KIT	[2]
01	56001939	6	Wsh Flat Sae 5/16	
02	56002124	4	SCREW10-24 X .62 PNH PH	
03	56002145	6	SCR PAN PHIL 1/4-20 X .50	
04	56002146	2	SCR PAN PHIL 8-32 X .62	
05	56002763	1	Rørstift	
06	56002462	2	SCR PAN PHIL 1/4-20 X .38	
07	56002832	4	Nyloc Møtrik	
08	56002877	2	NUT HEX NYL LOC SS 8-32	
09	56003073	3	SCR HEX LOC 5/16-18 X 1.00	
10	56003178	3	Scr Hex Thd To Hd M8-1.25X16Mm	
11	56003389	3	NUT HEX NYL LOC M8X1.25	
12	56003442	2	Scr Hex Nyl Loc M10-1.5 X 20Mm	
13	56367117	2	Wsh Flt Steel,406Cv31C	
14	56409613	1	Sædekontakt Br700/850	
15	56412059	1	GUIDE	[3]
16	56412060	1	CHASSIS WELDT	[4]
17	56412122	4	TRIM EDGE	
18	56601482	2	Wheel	[5]
19	56109296	1	Sæde Kit	[6]
20	56412150	3	SPACER	[7]
21	56412196	1	HINGE	[8]
22	56412301	1	ELECTRICAL PANEL WELDMT	
23	56412212	1	TRAY BATTERY	[6]
24	56412231	1	PROP ROD	[6]
25	56412243	4	Bearing Ball	
26	56412247	1	PLATE	[6]
27	56412261	1	SEAT WELDT	[9]
28	56109502	1	PANEL ELECTRICAL ASSY	
29	56469380	1	CLAMP CABLE .75 E00129	
30	56418492	1	Clip Prop Rod (After Sn 1 325695)	[6]
31	56262531	1	GROMMET E00059	
32	56412306	1	SEAT SPACER	[10]
33	56412307	1	Prop Rod (After Sn 132569 5)	[6]
34	56003268	1	Ring, Ret Ext Type E Rein	
35	56002066	3	SCR PAN PHIL 1/4-20 X .62	
36	56002098	3	Wsh Flt Sae 1/4	

Part Notes:

- [1] - ACC. FOR OBSOLETE MACHINE
- [2] - SEE TSB-FC-2015-040
TSB-FC-2015-040 Replacement Parts
- [3] - STOCK COVERS GUARANTEE
- [4] - EXPIRED ON 9/14/2011
- [5] - EXPIRED USE 56382693
- [6] - GUARANTEE DATE EXPIRED
- [7] - EXPIRED ON 12/16/2011
- [8] - EXPIRED ON 04/01/2014
- [9] - Expired 11/3/2005
- [10] - EXPIRED ON 12/15/2010



FORM NO. 56042373

Resource notes:

Pos.	Vare-nr	Antal	Beskrivelse	Notes
01	56001862	3	SCR HEX 5/16 18 X .50	
02	56002674	1	SCR PAN PHIL 10-24 X 1.00	
03	56002832	1	Nyloc Møtrik	
04	56003268	1	Ring, Ret Ext Type E Rein	
05	56003358	3	SCR HEX M6 X 25.0	
06	56003377	4	SCR PAN PHIL M5X12MM	
07	56003402	4	NUT HEX NYL LOC M5 X 0.80	
08	56003403	8	Nut Hex Nyl Loc M6-1.00	
09	56003428	1	SCR HEX M6-1.00 X 75MM	
10	56009060	3	WSH FLT SS .260X1.000X.074	
11	56220507	2	CLAMP CABLE .187 E00129	
12	56324505	1	BEARING FLANGE .376E00201	
13	56368989	1	BUSHING .25X.37X.30CV82G	
14	56409377	2	PLATE SLIDE	[1]
15	56409378	1	SPACER NYLON	
16	56409471	1	Lever, Throttle	
17	56409610	1	LINK WLDMT.	
18	56412092	1	PEDAL MOUNT WELDT	[2]
19	56412094	1	Dæksel, Potentiometer	
20	56412234	1	THROTTLE PEDAL WELDT	[2]
21	56449958	1	PEDAL MAT CV696C	[1]
22	56454740	1	Spændingsmeter Ba500/600	
23	56468243	2	SPRING IDLER	[1]
24	56756318	2	BEARING FLANGE .250 E00201	
25	56412331	1	WIRE ASSY 14 AWG RED	
26	56002098	1	Wsh Flt Sae 1/4	

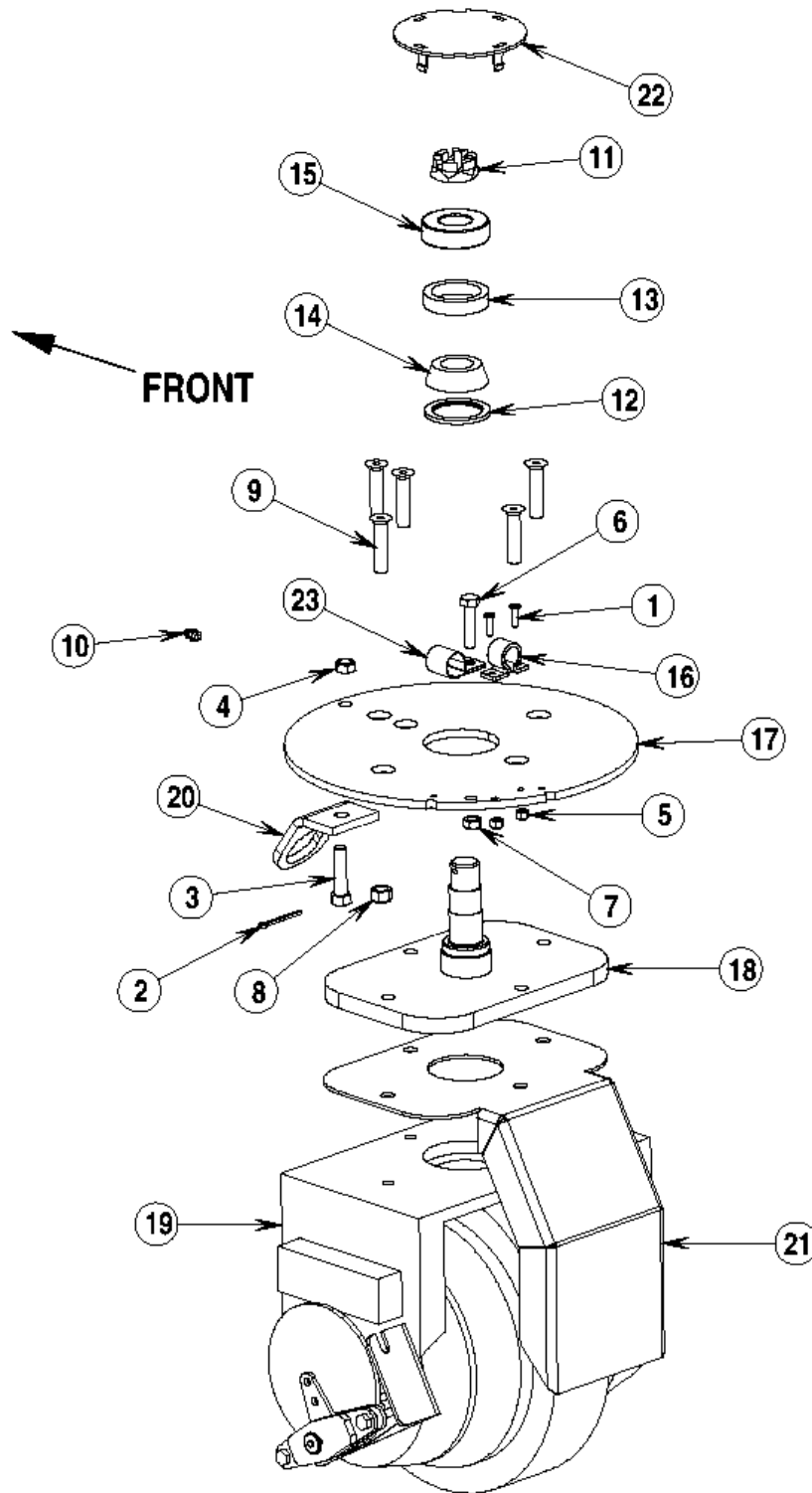
Part Notes:

- [1] - GUARANTEE DATE EXPIRED
- [2] - EXPIRED ON 12/16/2011

Pos.	Vare-nr	Antal	Beskrivelse	Notes
01	56001879	1	Wsh Flat Sae 1/2	
02	56001939	2	Wsh Flat Sae 5/16	
03	56001959	2	SCR SOC HD 5/16-18 X .75	
04	56002063	7	Wsh Flt Sae 3/8	
05	56002066	1	SCR PAN PHIL 1/4-20 X .62	
06	56002086	2	Scr Soc Set 5/16-18 X .25	
07	56002093	1	Scr Hex Hd 1/4-20 X 1.00	
08	56002098	11	Wsh Flt Sae 1/4	
09	56009051	2	SCR PAN PHIL THD FORM 8-32X.38	[1]
10	56003553	1	SCR HEX THD TO HD M6-1.0X 50MM	
11	56412308	1	Rør Bremsesystem Br 700 Rør Til Bremseka	[2]
12	56002840	4	Møtrik	
13	56002843	1	Nut Hex Nyl Loc-Thin 1/2-	
14	56002930	2	Skrue Skrue	
15	56003179	2	Scr,Hex Thd/Hd M8-1.25X20 5 X 20Mm	
16	56003186	4	SCR HEX THD/HD M10-1.50 X 25MM	
17	56003228	4	KEY WDF 606	
18	56003262	3	Ring	
19	56003264	2	Ring Ret Ext Type E	
20	56002228	1	WSH FLT SAE 7/8	
21	56009025	4	Washer, Flt	
22	56009045	2	Washer Bowed	
23	56009126	8	Scr Panphilthd 1/4-20X.75 F.Br850	
24	56158690	1	GROMMET .687 E00059	
25	56245008	1	SPRING EXT .37X2.00FC436B	
26	56100393	1	Bushing	
27	56302164	4	Nylon Bearing F.Bhs7014	
28	56320595	2	Bushing .31X.50X.28Hc18M	
29	56367095	2	Ring Ba500	
30	56370754	1	BEARING SLEEVE .379CV211KE0202	
31	56370762	2	BEARING THRUST .507CV211LE0203	[2]
32	56407067	1	SHAFT LOWER STEERING	[3]
33	56412141	1	PIVOT CABLE	[4]
34	56412142	1	Cable Assembly	[5]
35	56003403	3	Nut Hex Nyl Loc M6-1.00	
36	56412144	1	LATCH PARK BRAKE	[6]
37	56412145	1	COVER BRAKE	[7]
38	56412146	1	Skjold, Nederst, Br700	[8]
39	56412147	1	BRAKE PEDAL WELDT	
40	56412161	2	BEARING	[2]
41	56412162	1	LOWER COLUMN WELDT	[9]
42	56412198	1	Chain Roller	
44	56412245	1	COLUMN STEERING	[2]
45	56412246	1	COVER UPPER COLUMN	[2]
46	56412281	1	Kabel, Kontrol Br700	
47	56420059	1	UPPER STEERING SHAFT	
48	56420062	1	Latch Assembly Bhs7014	
49	56454081	1	U-Joint	
50	56471148	1	Tandhjul Ba700/800/1000	
51	56475411	2	BUSHING .25X.37X.48RE244B-1	[2]
52	56497306	1	Steering Wheel	
53	56497308	1	CAP	
54	56497543	1	Cap	
55	56497560	1	ADAPTER	
56	56412149	1	BRAKE PAD	[4]
57	56412175	1	MAT BRAKE PAD	[8]
58	56003358	2	SCR HEX M6 X 25.0	
59	56009051	2	SCR PAN PHIL THD FORM 8-32X.38	[1]

Part Notes:

- [1] - EXPIRED USE 56002523
- [2] - GUARANTEE DATE EXPIRED
- [3] - STOCK COVERS GUARANTEE PE
- [4] - EXPIRED ON 12/16/2011
- [5] - STOCK COVERS GUARANTEE
- [6] - TSBUS2001-794
- [7] - EXPIRED 10/30/2007
- [8] - EXPIRED NO REPLACEMENT
- [9] - EXPIRED 2/14/2007



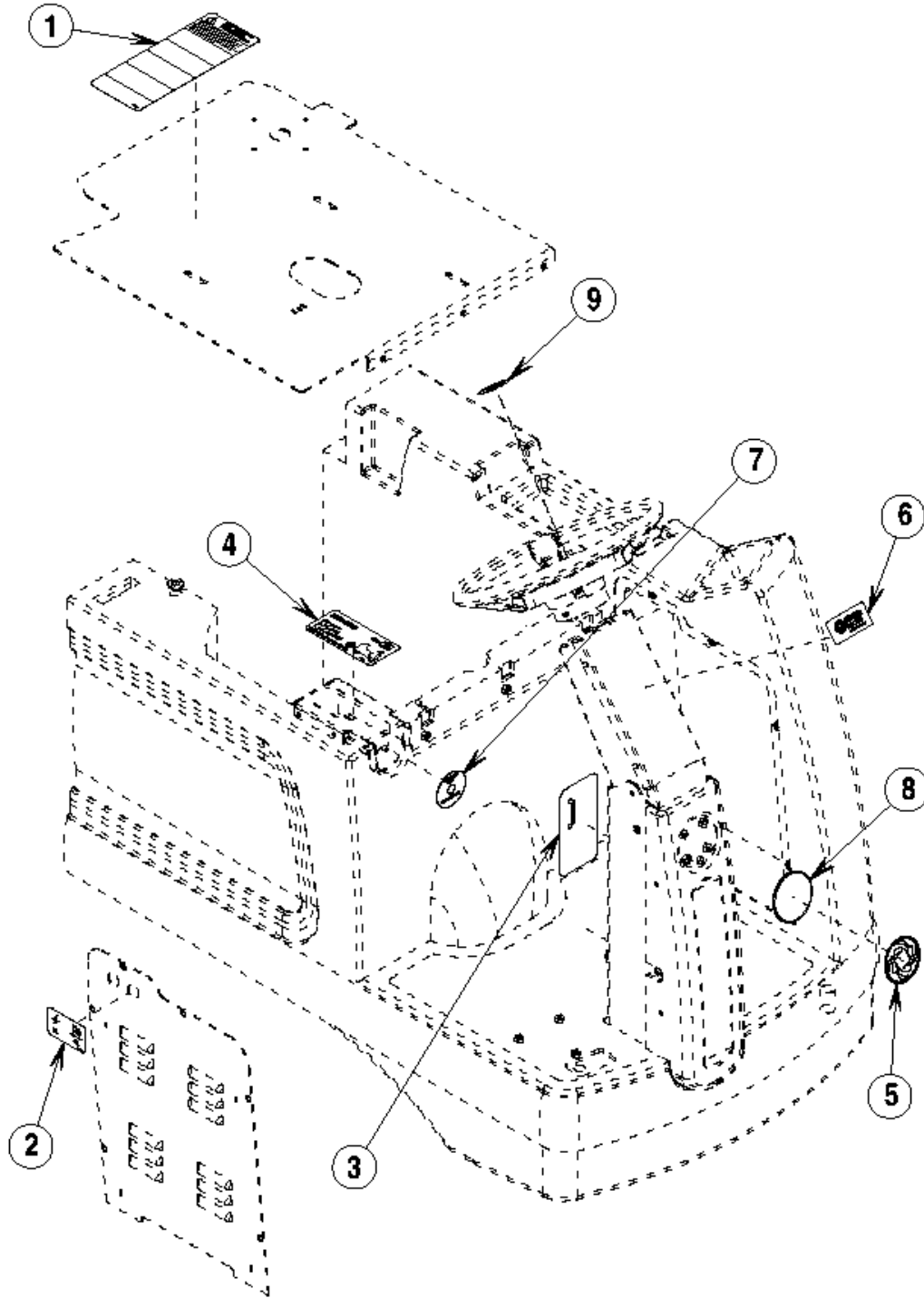
FORM NO. 56042373

Pos.	Vare-nr	Antal	Beskrivelse	Notes
01	56002146	2	SCR PAN PHIL 8-32 X .62	
02	56002181	1	PIN COT .12 X 1.50	
03	56002747	1	SCR HEX THD/HD 3/8-16 X 1.50	
04	56002841	1	NUT HEX NYL LOC-THIN 3/8-16	
05	56002877	2	NUT HEX NYL LOC SS 8-32	
06	56003179	1	Scr,Hex Thd/Hd M8-1.25X20 5 X 20Mm	
07	56003389	3	NUT HEX NYL LOC M8X1.25	
08	56003406	1	NUT HEX NYL LOC M10 X 1.50	
09	56003500	5	SCR FLT SOC LOC M 10X1.5X40MM	[1]
10	56101737	1	FITTING LUBE 1/4-28	
11	56110817	1	Nut Cas .875-14 Thne9A	
12	56171078	1	Seal Shaft 1.437 Pd202S	[1]
13	56378259	1	Bearing Tr Cp 1.981 E0013	[2]
14	56378267	1	Bearing Tr Cn 1.000E00134	[1]
15	56378380	1	Bearing Ball .9843 Cr25D	
16	56412059	1	GUIDE	[2]
17	56412123	1	PLATE STEERING	[3]
18	56412165	1	SPINDLE WELDT	[4]
19	56412324	1	ARMATURE	[5]
19	56412327	1	BRAKE ROTOR KIT	[6]
19	56412168	1	Køremotor Kompl.Br700	[7]
19	56412320	1	Brush Cover Kit	[8]
19	56412338	1	Hjul, For Br700	[9]
19	56412322	1	BALL BEARING GEARBOX SIDE	[8]
19	56412321	1	SEALING RING	[8]
19	56412325	1	Kul, Køremotor Br700 Kit	[10]
19	56412339	1	Drivhjul	[11]
19	56412323	1	BALL BEARING BRUSH SIDE	[8]
19	56412319	1	Brake Caliper	[6]
20	56412209	1	BRACKET TIE DOWN	
21	56412236	1	SPLASH GUARD	[3]
22	56412263	1	CAP SPINDLE	
23	56469380	1	CLAMP CABLE .75 E00129	

Part Notes:

- [1] - GUARANTEE DATE EXPIRED
- [2] - STOCK COVERS GUARANTEE
- [3] - EXPIRED ON 12/16/2011
- [4] - EXPIRED NO REPLACEMENT
- [5] - REPLACEMENT PARTS FOR PN 56412168
EXPIRED ON 12/16/2011
- [6] - REPLACEMENT PARTS FOR PN 56412168
GUARANTEE DATE EXPIRED
- [7] - GUARANTEE DATE EXPIRED
- SEE TSB 2002-824TSB US 2002-824. Wheel drive motor failure
- [8] - REPLACEMENT PARTS FOR PN 56412168
- [9] - SEE TSB US 2001-781
GUARANTEE DATE EXPIRED
- [10] - REPLACEMENT PARTS FOR PN 56412168 - TSB 824
- [11] - USE56383198 TSBUS2001-781

TSB US 2001-781. Drive Wheel Replacement

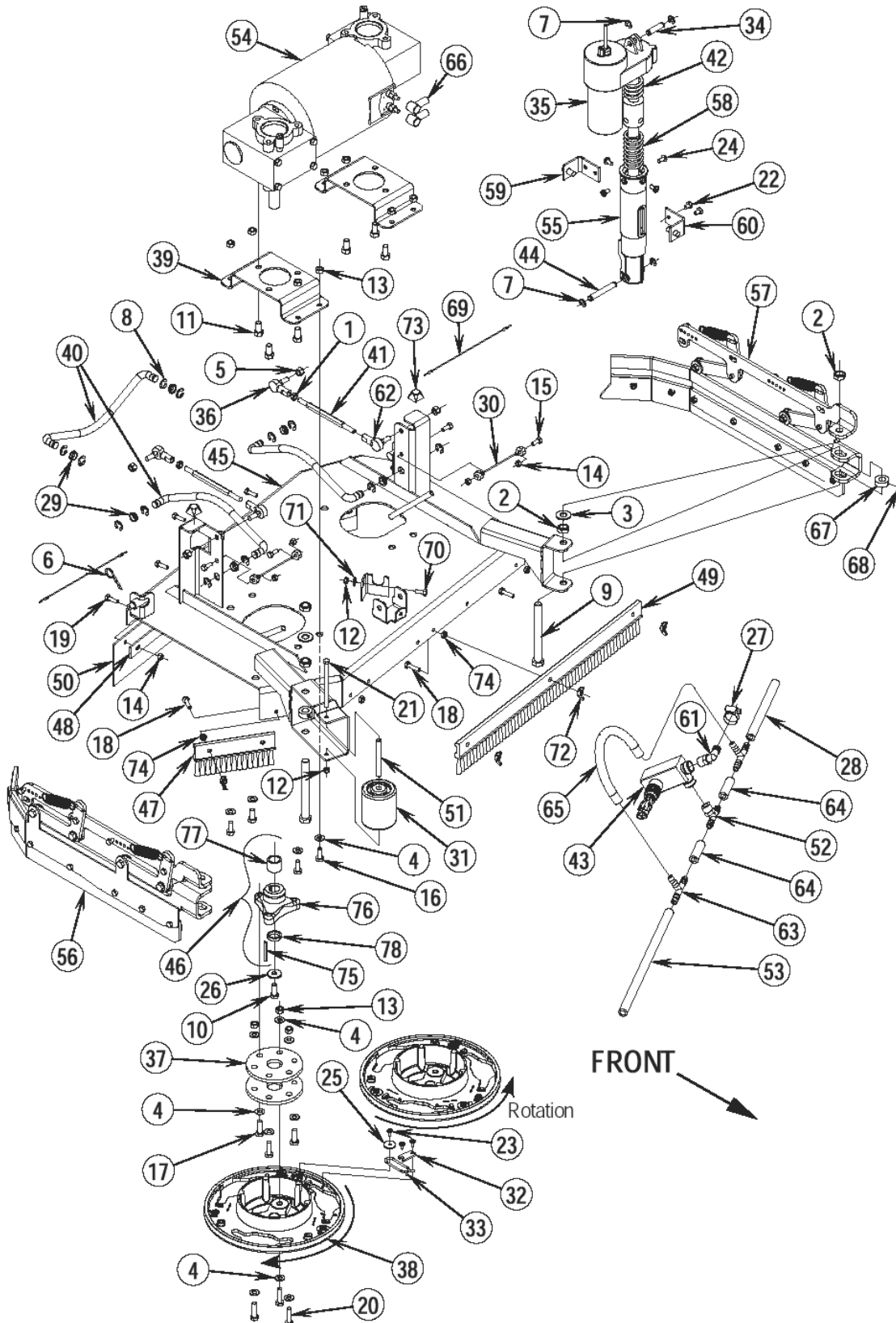


FORM NO. 56042373
Resource notes:

Pos.	Vare-nr	Antal	Beskrivelse	Notes
01	56014601	1	DECAL CAUTION	
02	56016341	1	DECAL CIRCUIT BREAKER	[1]
03	56016344	1	DECAL FLOW/PARKING BRAKE	[2]
04	56016345	1	DECAL BATTERY WIRING	[2]
05	56016348	1	DECAL LOGO	
06	56016360	1	DECAL HR2800	[3]
06	56016362	1	DECAL BR700	[2]
07	56025109	1	DECAL EMERGENCY RE498K	[3]
08	56412095	1	PLAQUE DECAL	[4]
09	56016421	1	DECAL LOGO	

Part Notes:

- [1] - EXPIRED NO REPLACEMENT
- [2] - EXPIRED ON 12/16/2011
- [3] - GUARANTEE DATE EXPIRED
- [4] - EXPIRED 12/10/2007



Resource notes:

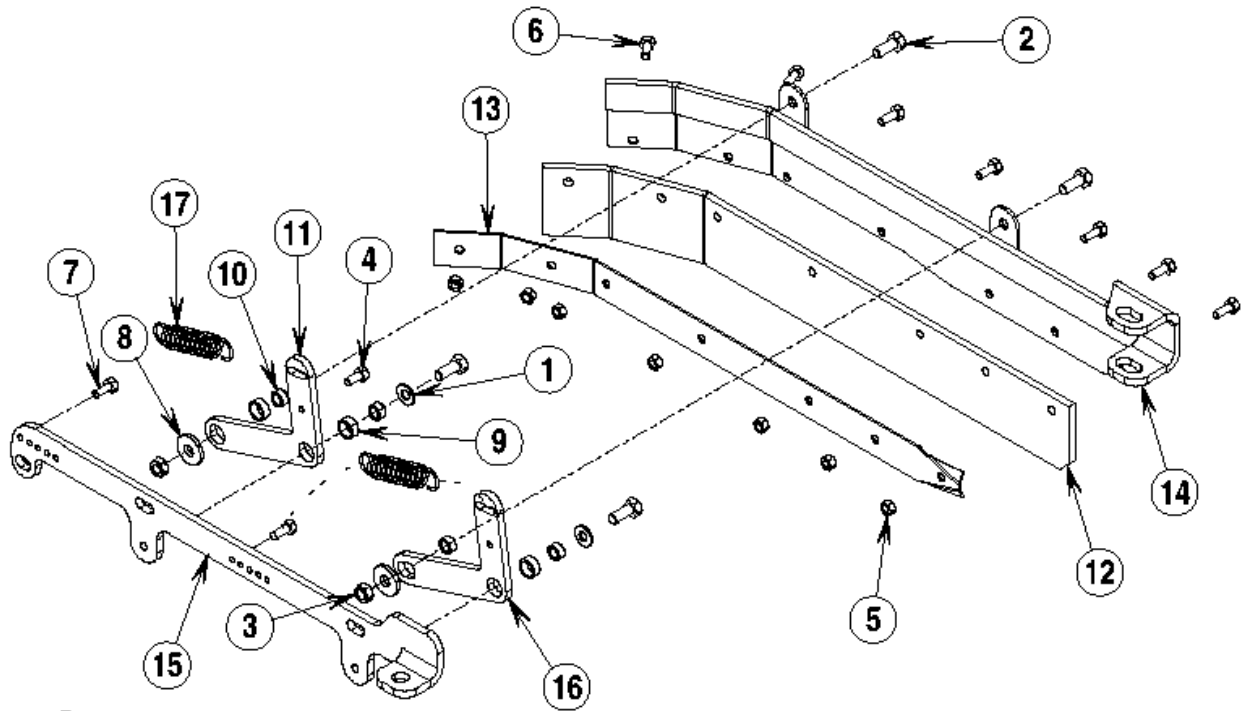
NOTE #1: All Deck blade kits include both deck and skirt blades.

Pos.	Vare-nr	Antal	Beskrivelse	Notes
00	56505803	2	Børste Aglite Grit 500 14,5" Ø370 mm	
00	56505805	2	Børste Prolite 14,5" Ø370 mm	
00	56412295	1	Sideskørt Kit Std.Br700 Kit	
00	56412291	1	Kit, Skørt Neopren Br 700	[1]
00	56505807	2	Børste Mid Grit 180 14,5" Ø370 mm	
00	56505801	2	Børste Magna Grit 46 14,5" Ø370 mm	
00	56505800	2	Rondelholder 14" Ø355 mm	
00	56505808	2	Børste Midlite Grit 240 14,5" Ø370 mm	
00	56505806	2	Børste Union Mix 14,5" Ø370 mm	
00	56412343	1	STANDARD DISC DECK BRISTLE KIT	[2]
00	56505804	2	Børste Prolene 14,5" Ø370 mm	
00	56505802	2	Børste Dyna Grit 80 14,5" Ø370 mm	
01	56001884	2	Nut Hex Jam 5/16-24	
02	56002843	4	Nut Hex Nyl Loc-Thin 1/2-	
03	56002918	2	WSH FLT SAE SS 1/2	
04	56002938	26	Wsh Flt Sae Ss 5/16	
05	56002950	4	Nut Hex Nyl Loc 5/16-24	
06	56002959	2	Hårnål 125X5	
07	56003262	4	Ring	
08	56003264	12	Ring Ret Ext Type E	
09	56003282	2	SCR HEX 1/2-13X5.00 GRADE 8	
10	56003335	2	Screw Hex Loc Ss 5/16-18 X .88	
11	56002885	6	SCR HEX SS 3/8-16 X .75	
12	56003403	2	Nut Hex Nyl Loc M6-1.00	
13	56003405	14	Nut Hex Nyl Loc M8X1.25 F. Br850	
14	56003426	10	Nut Hex Nyl Loc Ss M6-1.0	
15	56003431	4	Scr Hex Hd Ss M6-1.0 X 16 Mm	
16	56003435	8	SCR HEX SS M8-1.25X20MM	
17	56003639	6	Scr, Hex Ss M8-1.25 X 30M M	
18	56002883	5	Skruer 1/4-20X1.00	
19	56003454	6	SCR HEX THD TO HD SS M6-1X20MM	
20	56003477	6	Skruer M8-1 X 25M	
21	56003492	1	SCR HEX M6-1.0 X 100MM	
22	56009019	2	Scr Hex Thd Form 1/4-20X0 F.Bhs7014	
23	56009030	6	Scr Pan Phil Thd Fom 10-2 F.Br850	
24	56009126	4	Scr Panphilthd 1/4-20X.75 F.Br850	
25	56009096	2	WSH FLT .193X.875X.060	
26	56009107	2	WSH FLT SS .378/.373X1.00X.075	
27	56219932	1	CLAMP HOSE SAE 6 E00047	
28	56249682	1	Tube E00603	
29	56302164	6	Nylon Bearing F.Bhs7014	
30	56412344	2	WIRE ROPE ASSY	
31	56412459	1	Wheel	
32	56366455	2	Plate Cv24B	
33	56366463	2	Fjeder Holder Ba600	
34	56388672	1	PIN	[2]
35	56393303	1	Actuator F/Ba600	
36	56477756	2	Ball Joint	
37	56407053	4	Thermoid Disk F.Br850	[3]
38	56314030	2	Børsteholder Br600	
39	56407198	2	MOUNT BRACKET	[2]
40	56412052	3	Arm Mount	[2]
41	56412056	2	Rod Adjuster	[2]
42	56412071	1	Compression Spring	
43	56412076	1	Solenoid Valve	[2]
44	56412088	1	Pin	
45	56412096	1	DECK WELDT	[4]
46	56314163	2	HUB REPLACEMENT KIT	[5]
47	56412461	1	Skirt Short Bristle	[2]

Pos.	Vare-nr	Antal	Beskrivelse	Notes
48	56412170	1	STRAP	[6]
49	56412171	1	Skørt	
49	56412169	1	STRAP	[7]
49	56412460	1	Skirt Long Bristle	[2]
49	56412292	1	BLADE DECK NEOPRENE FR	[2]
50	56412172	1	Skørt	
50	56412293	1	BLADE DECK NEOPRENE RR	[2]
51	56412176	1	Bushing	
52	56412204	1	TEE BARB 3/8 X 3/8 NPT	[8]
53	56052887	1	TUBE VINYL 18 E00603	
54	56407196	2	Gearbox F.Br850	
54	56389395	4	BRUSH SPRING/SET 4	
54	56412214	1	MOTOR 1.5HP 24VDC	[2]
54	56412266	4	BRUSH BOARD ASSY	
54	56412286	1	MOTOR BRUSH/SPRING KIT	[2]
54	56412213	1	MOTOR GEARBOX ASSY	[5]
54	56407500	4	Brush Assembly Kit	
55	56412262	1	Housing Spring	
56	56412282	1	Sideskørt Højre Br 700 Komplet	[9]
57	56412283	1	Sideskørt Venstre Br 700 Komplet	[2]
58	56420018	1	Spring Compression F. Bhs7014	
59	56420019	1	Nut Retainer Weldment F. Bhs7014	
60	56420020	1	Nut Retainer Weldment F. Bhs7014	
61	56109566	1	Barb 90 Elbow 1/2X3/8 Npt	
62	56395755	2	Rod End	
63	56249280	2	TEE BARB 3/8X3/8 E00455	
64	56412187	2	SOLUTION TUBE E00603	
65	56412189	1	HOSE SPIRAL 3/8 E00603	
66	56492305	2	BOOT	
67	56152811	2	COLLAR PC9A	
68	56001841	2	Skrue Cr1300	
69	56330391	2	Wire Rope Assy 12.0 F.Br850	
70	56003174	1	SCR HEX THD/HD M6 1.0 X 16MM	
71	56009064	1	WSH INT SHPRF 1/4	
72	56009048	5	Nut, Wing Loc 1/4-20	
73	56382566	2	BUMPER .812SQ CL66	[2]
74	56002491	5	Nut Hex Nyl.Loc Ss 1/4 20	
75	56003670	2	Not Sq .19 X 1.62	[2]
76	56314108	2	Medbringer	
77	56314150	2		
78	56314151	2		

Part Notes:

- [1] - ACC. FOR OBSOLETE MACHINE
- [2] - GUARANTEE DATE EXPIRED
- [3] - EXPIRED USE 56383238
- [4] - GUARANTEE STILL RUNNING
- [5] - STOCK COVERS GUARANTEE PE
- [6] - EXPIRED ON 12/16/2011
- [7] - TSBUS2001-767 NO REPLCMNT
- [8] - STOCK COVERS GUARANTEE
- [9] - TSBUS2001-768



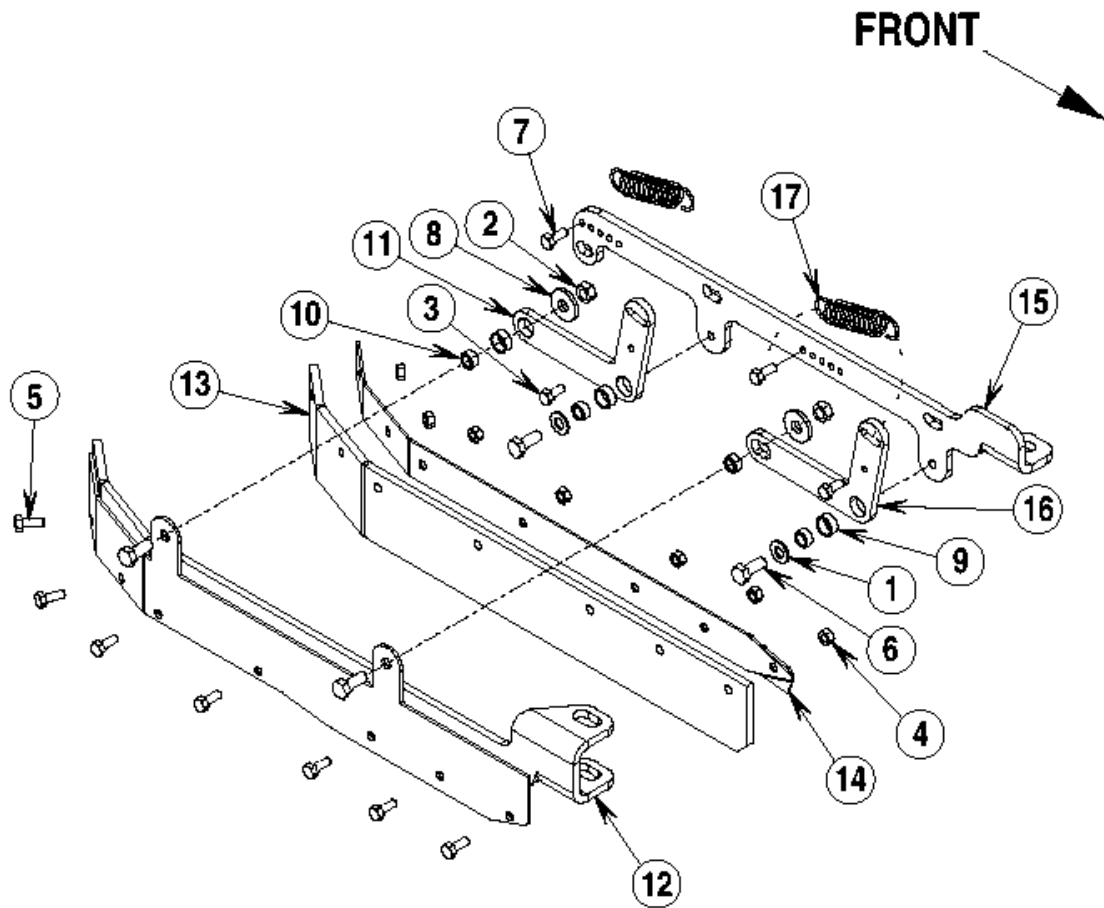
Resource notes:

NOTE #1: All Deck blade kits include both deck and skirt blades.

Pos.	Vare-nr	Antal	Beskrivelse	Notes
00	56412343	1	STANDARD DISC DECK BRISTLE KIT	[1]
00	56412294	1	Skørt	
00	56412295	1	Sideskørt Kit Std.Br700 Kit	
00	56412291	1	Kit, Skørt Neopren Br 700	[2]
01	56001939	2	Wsh Flat Sae 5/16	
02	56003179	4	Scr,Hex Thd/Hd M8-1.25X20 5 X 20Mm	
03	56003389	2	NUT HEX NYL LOC M8X1.25	
04	56003413	1	SCR HEX M6-1.0 X 14MM	[3]
05	56003426	7	Nut Hex Nyl Loc Ss M6-1.0	
06	56003431	7	Scr Hex Hd Ss M6-1.0 X 16 Mm	
07	56003441	2	Scr Hex Nyl Loc M6-1 X 15 Mm	
08	56009107	2	WSH FLT SS .378/.373X1.00X.075	
09	56185263	3	Bearing Sleeve E00202	
10	56320595	4	Bushing .31X.50X.28Hc18M	
11	56407413	1	ARM MOUNT	[1]
12	56412107	1	Skørt, Side Br700	
13	56412108	1	Retainer Skirt	[1]
14	56412110	1	SKIRT BRACKET WELDT	[1]
15	56412113	1	BRACKET MOUNT	[1]
16	56412114	1	ARM MOUNT	[1]
17	56470672	2	Fjeder 75X3.0	

Part Notes:

- [1] - GUARANTEE DATE EXPIRED
- [2] - ACC. FOR OBSOLETE MACHINE
- [3] - Machine outphased 2003



FORM NO. 56042373

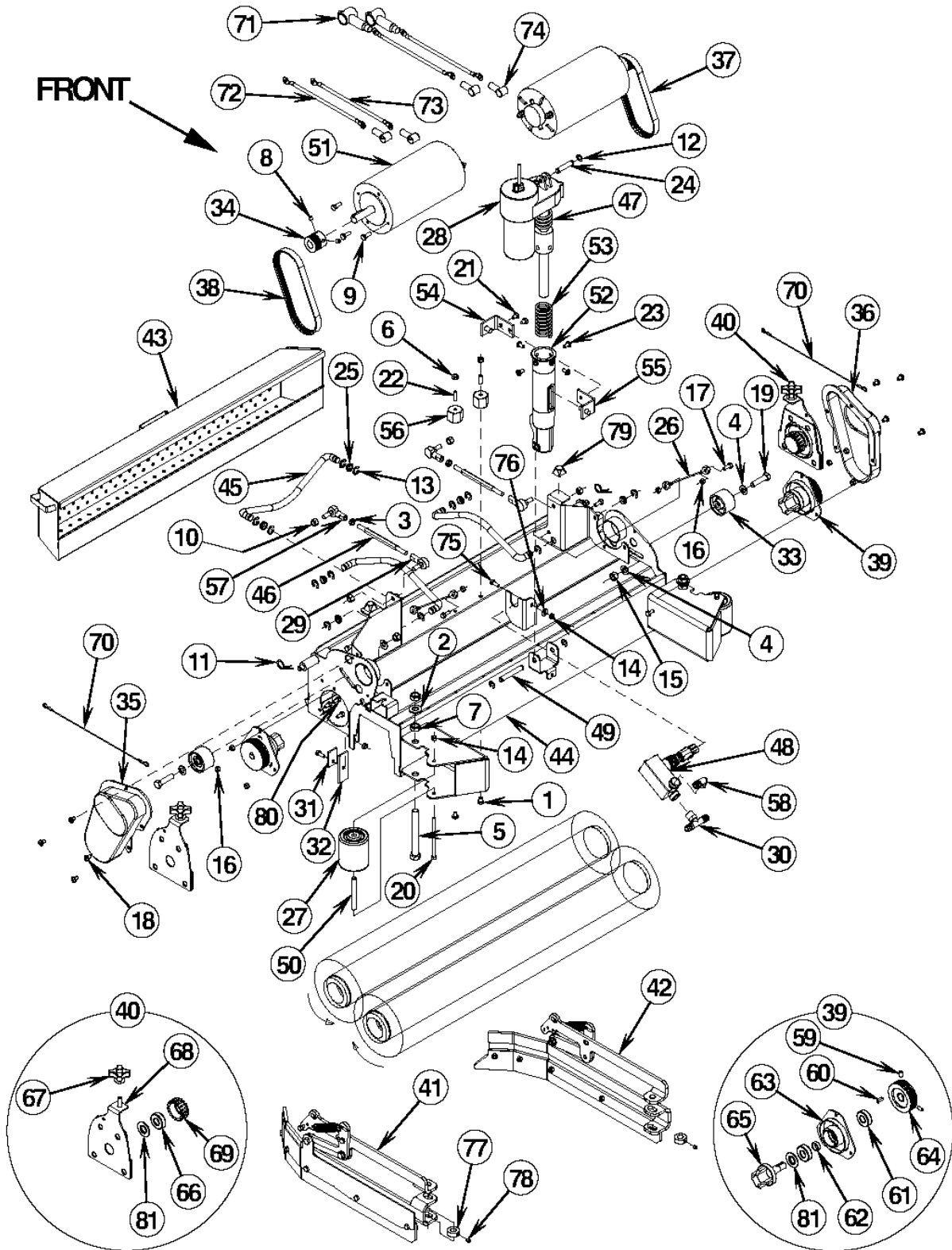
Resource notes:

NOTE #1: All Deck blade kits include both deck and skirt blades.

Pos.	Vare-nr	Antal	Beskrivelse	Notes
00	56412291	1	Kit, Skørt Neopren Br 700	[1]
00	56412343	1	STANDARD DISC DECK BRISTLE KIT	[2]
00	56412295	1	Sideskørt Kit Std.Br700 Kit	
01	56002938	2	Wsh Flt Sae Ss 5/16	
02	56003405	2	Nut Hex Nyl Loc M8X1.25 F. Br850	
03	56003413	2	SCR HEX M6-1.0 X 14MM	[3]
04	56003426	7	Nut Hex Nyl Loc Ss M6-1.0	
05	56003431	7	Scr Hex Hd Ss M6-1.0 X 16 Mm	
06	56003435	4	SCR HEX SS M8-1.25X20MM	
07	56003441	2	Scr Hex Nyl Loc M6-1 X 15 Mm	
08	56009107	2	WSH FLT SS .378/.373X1.00X.075	
09	56185263	3	Bearing Sleeve E00202	
10	56320595	4	Bushing .31X.50X.28Hc18M	
11	56407413	1	ARM MOUNT	[2]
12	56412104	1	SKIRT BRACKET WELDT	[2]
13	56412294	1	Skørt	
13	56412107	1	Skørt, Side Br700	
14	56412108	1	Retainer Skirt	[2]
15	56412109	1	BRACKET MOUNT	[2]
16	56412114	1	ARM MOUNT	[2]
17	56470672	2	Fjeder 75X3.0	

Part Notes:

- [1] - ACC. FOR OBSOLETE MACHINE
- [2] - GUARANTEE DATE EXPIRED
- [3] - Machine outphased 2003



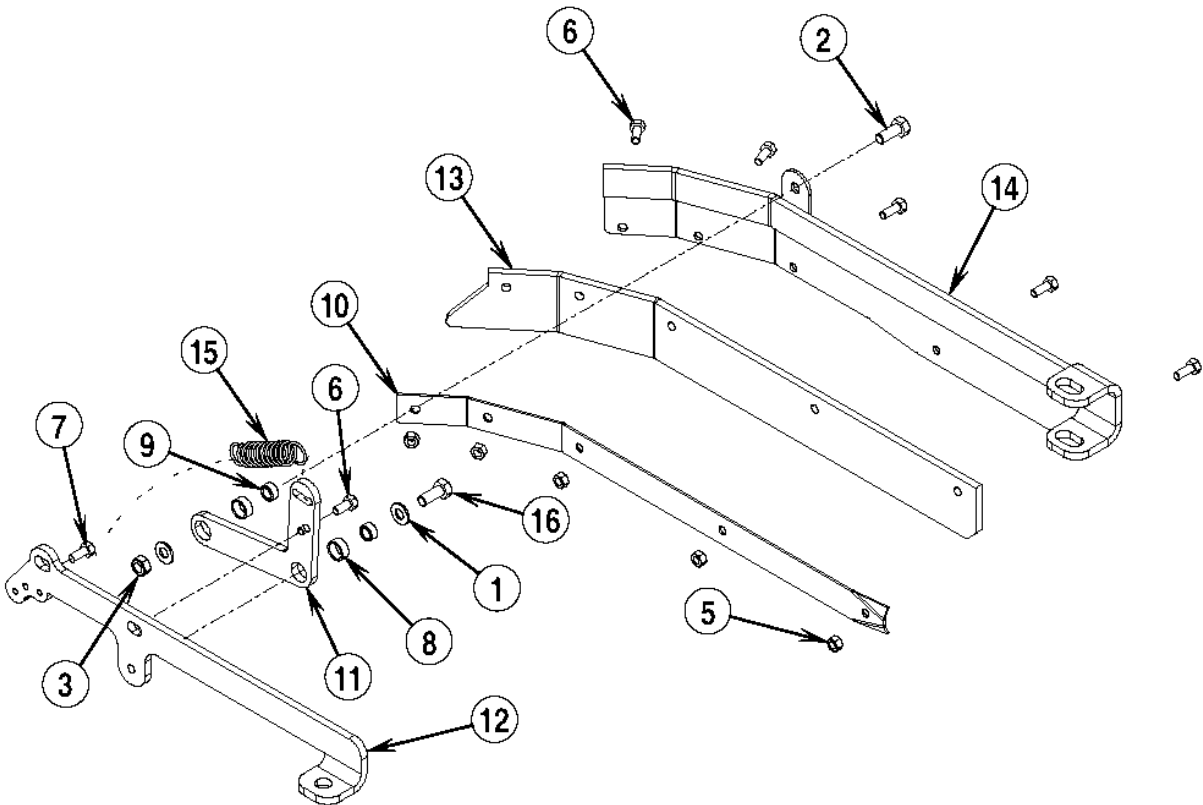
Resource notes:

Pos.	Vare-nr	Antal	Beskrivelse	Notes
00	56412194	2	Børste Grit 80 sort 680 mm	[1]
00	56407475	2	Børste, Prolene 790Mm Rød	
00	56407477	2	Børste,Dyna Gr.790Mm Sort	
00	56412046	2	Cylinderbørste polypropylen 710 mm	
00	56407474	2	Børste, Nyl.H. 790Mm Hvid	
00	56412192	2	Cylinderbørste nylon 710 mm	
00	56412191	2	Cylinderbørste blød nylon gul 680 mm	[1]
00	56407476	2	Børste,Midl.180 790Mm Grå	
00	56407473	2	Børste,BI. Nyl. 790Mm Gul	
00	56407478	2	BRUSH 46 GRIT 32-ORANGE/BROWN	
00	56412195	2	Cylindrisk børste Super Grit 690 mm	[1]
00	56412193	2	Cylinderbørste Grit 180 grå/blå 710 mm	
01	56001861	2	SCR HEX 1/4-20 X .38	
02	56001879	2	Wsh Flat Sae 1/2	
03	56001884	2	Nut Hex Jam 5/16-24	
04	56002063	4	Wsh Flt Sae 3/8	
05	56002484	2	SCR HEX 1/2-13 X 4.50	[2]
06	56002708	2	Nut Hex Nyloc 1/4-20	
07	56002843	4	Nut Hex Nyl Loc-Thin 1/2-	
08	56002086	4	Scr Soc Set 5/16-18 X .25	
09	56002948	6	SCR HEX LOC 1/4 20 X 0.75	
10	56002950	4	Nut Hex Nyl Loc 5/16-24	
11	56002959	2	Hårnål 125X5	
12	56003262	4	Ring	
13	56003264	12	Ring Ret Ext Type E	
14	56003403	3	Nut Hex Nyl Loc M6-1.00	
15	56003406	2	NUT HEX NYL LOC M10 X 1.50	
16	56003426	10	Nut Hex Nyl Loc Ss M6-1.0	
17	56003431	6	Scr Hex Hd Ss M6-1.0 X 16 Mm	
18	56003603	1	Scr,Pan Philthdform 1/4-2 0X.38	
19	56003491	2	SCR HEX M10-1.50X 40MM	
20	56003492	2	SCR HEX M6-1.0 X 100MM	
21	56009019	2	Scr Hex Thd Form 1/4-20X0 F.Bhs7014	
22	56009020	2	1/4-20 X 7/8 Stud	
23	56009126	4	Scr Panphilthd 1/4-20X.75 F.Br850	
24	56104760	1	PIN C15J	
25	56302164	6	Nylon Bearing F.Bhs7014	
26	56412344	2	WIRE ROPE ASSY	
27	56412459	2	Wheel	
28	56393303	1	Actuator F/Ba600	
28	56393790	1	SWITCH LIMIT	[3]
28	56388520	1	Møtrik Plastik	
28	56470433	1	BRUSH KIT MOTOR	[3]
29	56395755	2	Rod End	
30	56407012	1	Tee 3/8 Npt X 1/2 X 1/2 Barb F.Br850	[4]
31	56410214	2	STRAP	[5]
32	56407391	2	Afstandsstykke Til Børste Dæk Cylinder	
33	56407432	2	Idler Belt	
34	56407433	2	Remskive Br700/850C	
35	56407434	1	Dæksel,Rem Højre Br850C	
36	56407435	1	Dæksel, Venstre Br700	
37	56407465	1	Drivrem, Børste Br700/850 Oileresistent	
38	56407466	1	Rem, Børste Br700C Oileresistent	
39	56407559	2	Remskive	
40	56115344	2	IDLER END ASSY	
41	56407470	1	RIGHT SKIRT ASSY	[4]
42	56407471	1	Skørt Komplet, Venstre For Br 850C	[4]
43	56407430	1	"Affaldsbakke 32" "	[4]
43	56412041	1	"Affaldsbakke 28" "	[4]

Pos.	Vare-nr	Antal	Beskrivelse	Notes
44	56412352	1	HOUSING WELDMENT	[6]
44	56412044	1	HOUSING WELDT	[4]
45	56412052	3	Arm Mount	[4]
46	56412056	2	Rod Adjuster	[4]
47	56412071	1	Compression Spring	
48	56412076	1	Solenoid Valve	[4]
49	56412088	1	Pin	
50	56412176	2	Bushing	
51	56412254	1	ARMATURE	[6]
51	56412178	2	Motor 24Vdc 75Hp	[4]
51	56412287	1	Brush / Spring Kit (1 Per Motor)	
51	56412257	1	Brush Cap Assy (1 Per Mot Or)	
51	56412255	1	BEARING	[4]
52	56412262	1	Housing Spring	
53	56420018	1	Spring Compression F. Bhs7014	
54	56420019	1	Nut Retainer Weldment F. Bhs7014	
55	56420020	1	Nut Retainer Weldment F. Bhs7014	
56	56469858	2	Insulated Standoff	
57	56477756	2	Ball Joint	
58	56109566	1	Barb 90 Elbow 1/2X3/8 Npt	
59	56002119	4	Scr Soc Set 1/4-20 X 50	
60	56003237	2	KEY SQ .19 X .62	
61	56106070	4	Bearing Ball Z22	
62	56407389	2	Bøsning Br700	
63	56381765	2	BEARING PLATE	
64	56407442	2	Remhjul	
65	56109527	2	Aksel	
66	56106070	2	Bearing Ball Z22	
67	56407303	2	Gribeknop Br850	
68	56315447	2	Idler Bearing Plate	
69	56115273	2	HUB-IDLER	
70	56330391	2	Wire Rope Assy 12.0 F.Br850	
71	56493357	2	INSULATOR TERMINAL	
72	56412297	2	CABLE ASSY	[4]
73	56412296	2	CABLE ASSY	[4]
74	56492305	4	BOOT	
75	56003174	1	SCR HEX THD/HD M6 1.0 X 16MM	
76	56009064	1	WSH INT SHPRF 1/4	
77	56152811	2	COLLAR PC9A	
78	56001841	2	Skrue Cr1300	
79	56382566	2	BUMPER .812SQ CL66	[4]
80	56003211	6	Scr,Hex Hd Ss M6-1.0 X 12	
81	56407558	4	Washer, Bearing	

Part Notes:

- [1] - COMPLEXITY REDUCTION
- [2] - STOCK COVERS GUARANTEE
- [3] - EXPIRED 1/4/2008
- [4] - GUARANTEE DATE EXPIRED
- [5] - EXPIRED USE 56009060
- [6] - EXPIRED ON 12/16/2011

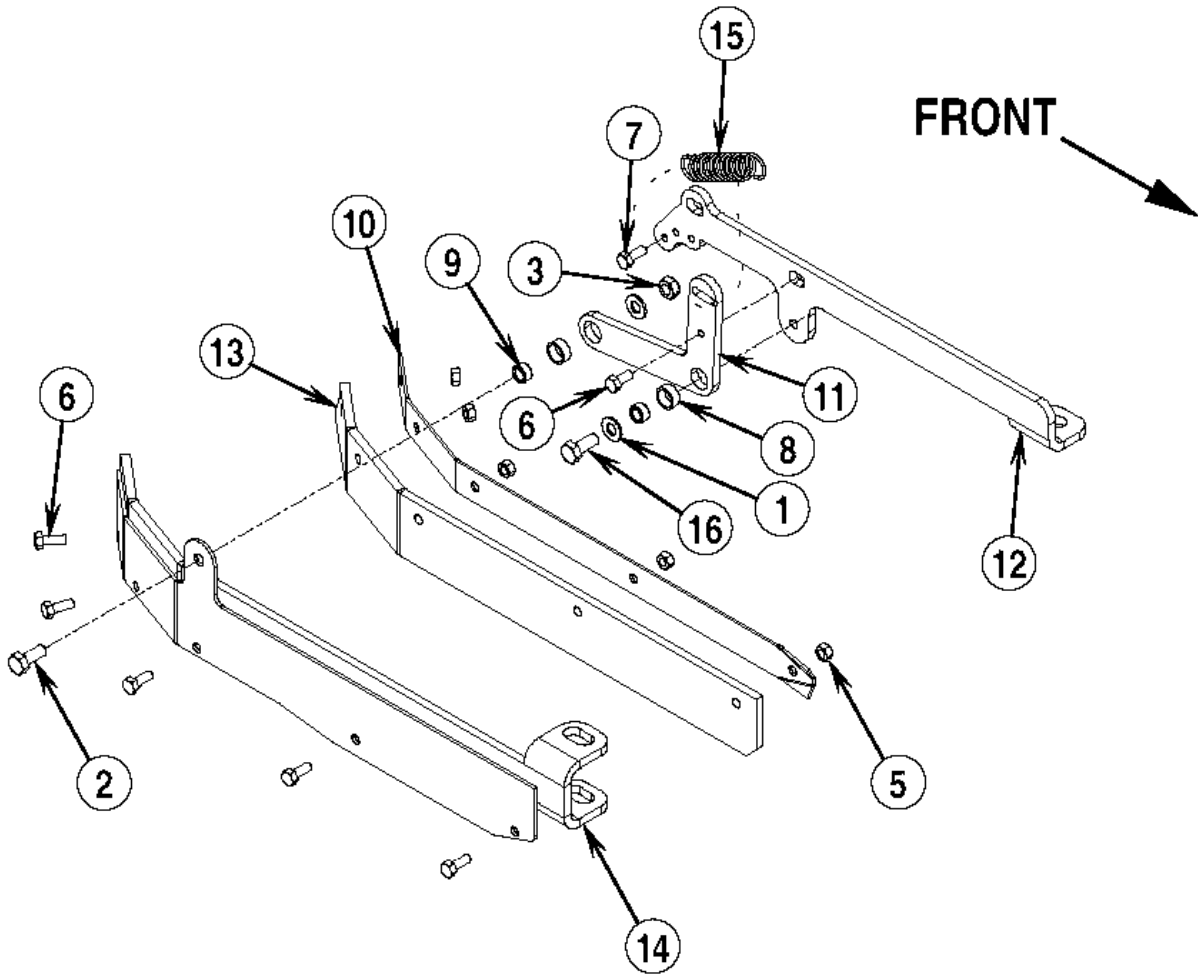


Resource notes:

Pos.	Vare-nr	Antal	Beskrivelse	Notes
	56407471	1	Skørt Komplet, Venstre For Br 850C	[1]
01	56001939	2	Wsh Flat Sae 5/16	
02	56003179	1	Scr,Hex Thd/Hd M8-1.25X20 5 X 20Mm	
03	56003389	1	NUT HEX NYL LOC M8X1.25	
05	56003426	5	Nut Hex Nyl Loc Ss M6-1.0	
06	56003431	6	Scr Hex Hd Ss M6-1.0 X 16 Mm	
07	56003441	1	Scr Hex Nyl Loc M6-1 X 15 Mm	
08	56185263	2	Bearing Sleeve E00202	
09	56320595	2	Bushing .31X.50X.28Hc18M	
10	56407411	1	Skinne, Sidegummi Br700	[1]
11	56407413	1	ARM MOUNT	[1]
12	56407414	1	BRACKET MOUNT	[1]
13	56407447	1	Sideskørt C-Versioner	
13	56390983	1	SKIRT-PU	
14	56407449	1	Sideskørt Br850C Venstre	[1]
15	56470672	1	Fjeder 75X3.0	
16	56003178	1	Scr Hex Thd To Hd M8-1.25X16Mm	

Part Notes:

[1] - GUARANTEE DATE EXPIRED

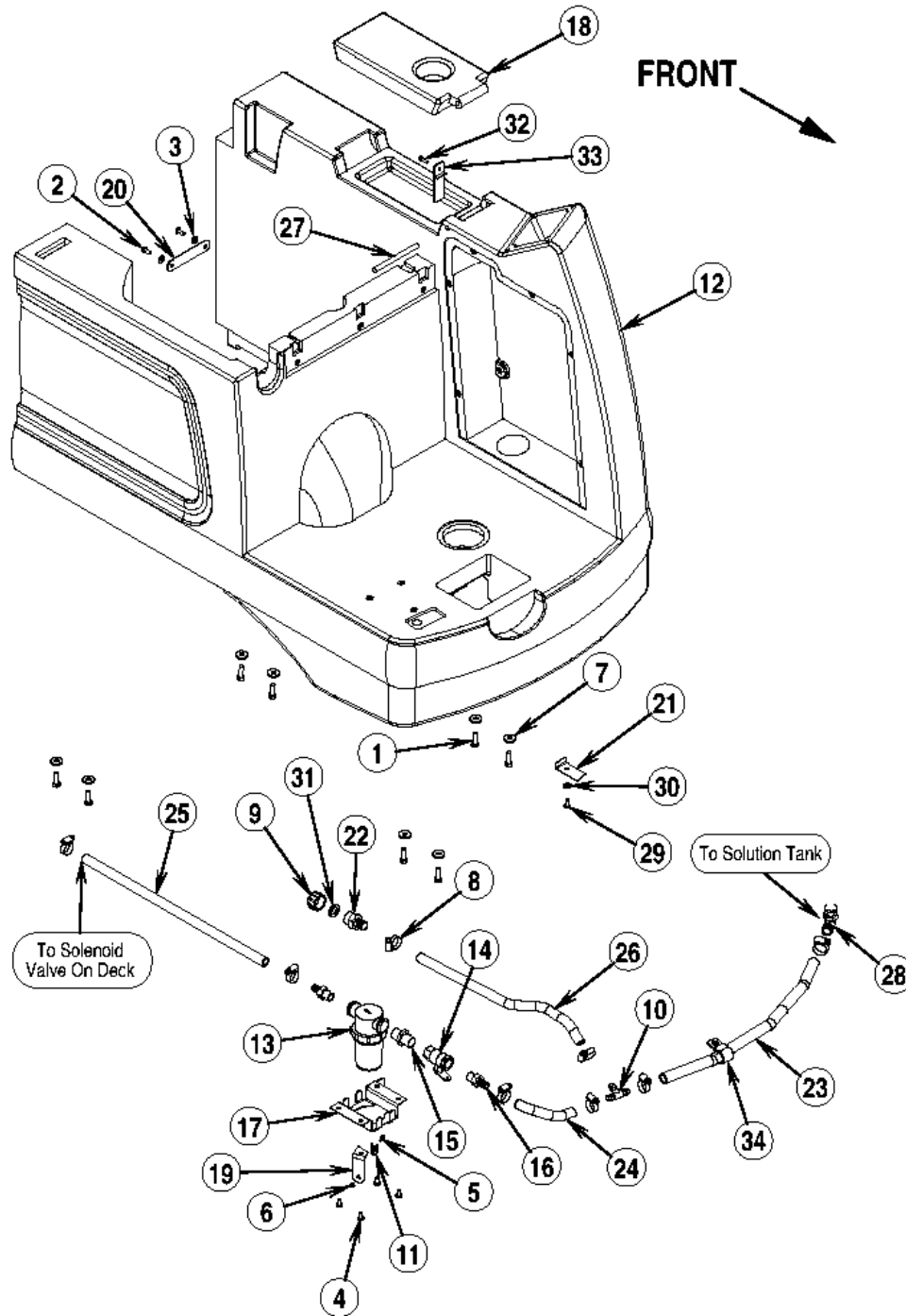


Resource notes:

Pos.	Vare-nr	Antal	Beskrivelse	Notes
	56407470	1	RIGHT SKIRT ASSY	[1]
01	56001939	2	Wsh Flat Sae 5/16	
02	56003179	1	Scr,Hex Thd/Hd M8-1.25X20 5 X 20Mm	
03	56003389	1	NUT HEX NYL LOC M8X1.25	
05	56003426	5	Nut Hex Nyl Loc Ss M6-1.0	
06	56003431	6	Scr Hex Hd Ss M6-1.0 X 16 Mm	
07	56003441	1	Scr Hex Nyl Loc M6-1 X 15 Mm	
08	56185263	2	Bearing Sleeve E00202	
09	56320595	2	Bushing .31X.50X.28Hc18M	
10	56407411	1	Skinne, Sidegummi Br700	[1]
11	56407413	1	ARM MOUNT	[1]
12	56407415	1	BRACKET MOUNT	[1]
13	56407447	1	Sideskørt C-Versioner	
13	56390983	1	SKIRT-PU	
14	56407448	1	Sideskørt Br850C Højre	[1]
15	56470672	1	Fjeder 75X3.0	
16	56003178	1	Scr Hex Thd To Hd M8-1.25X16Mm	

Part Notes:

[1] - GUARANTEE DATE EXPIRED

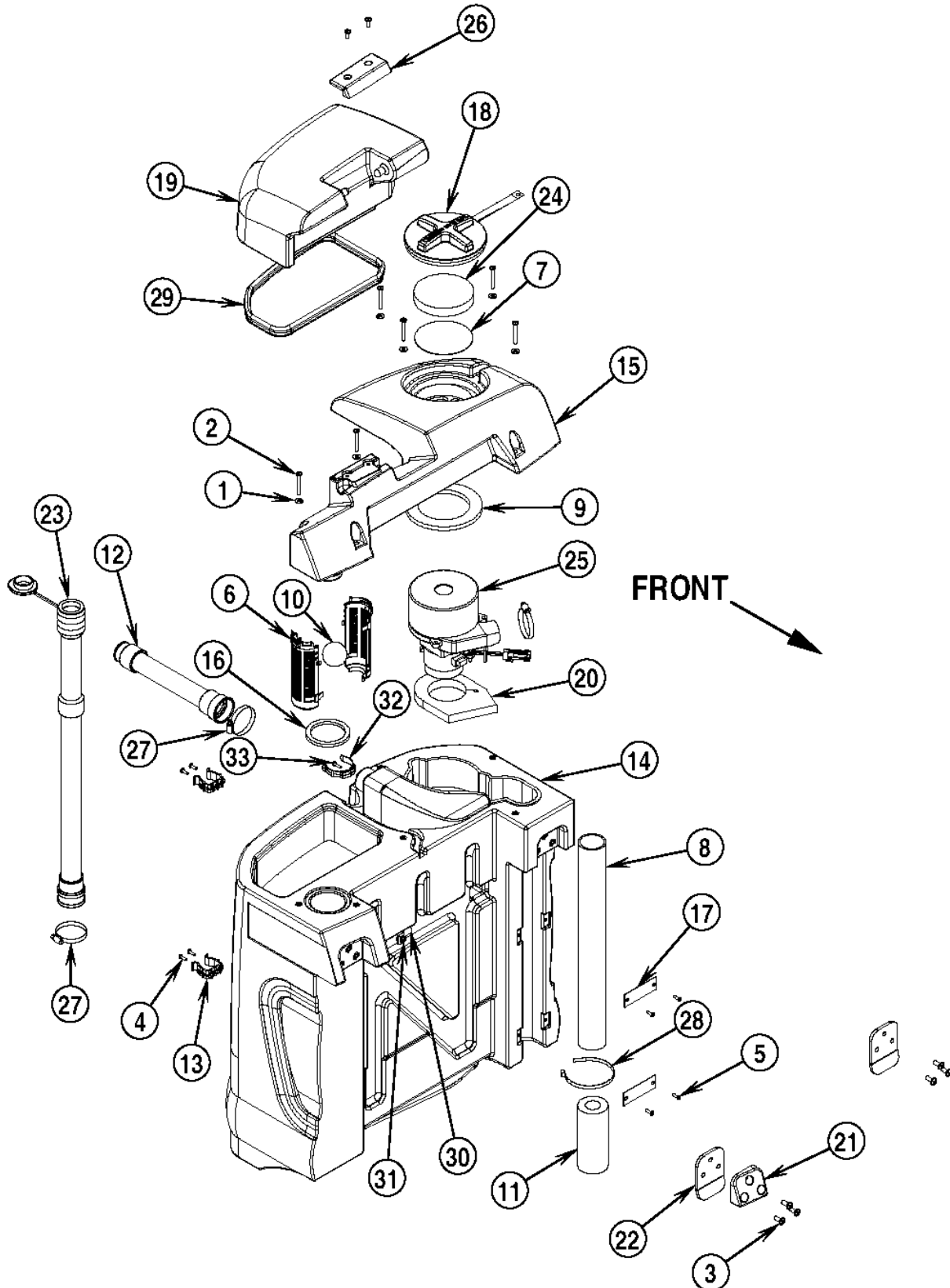


FORM NO. 56042373
Resource notes:

Pos.	Vare-nr	Antal	Beskrivelse	Notes
01	56003003	2	SCR PAN PHIL 5/16-18X.62	
02	56002066	2	SCR PAN PHIL 1/4-20 X .62	
03	56002098	2	Wsh Flt Sae 1/4	
04	56002145	4	SCR PAN PHIL 1/4-20 X .50	
05	56002589	1	SCR HEX 6-32 X .50	
06	56002830	1	NUT HEX NYL LOC 6-32	
07	56009122	8	Washer, Flt .344X.938X.12 F.Br850	
08	56219932	8	CLAMP HOSE SAE 6 E00047	
09	56255076	1	Låg Til Rentvandsslange	
10	56262549	1	Tee E00455	
11	56344265	1	Holder Kabel As510A	
12	56412140	1	TANK SOLUTION	[1]
13	56412173	1	Solution Filter	
14	56412174	1	Solution shut-off valve	[2]
15	56412182	1	Nippel 3/4-14	
16	56412184	2	Adapter 1/2 X 1/2	
17	56412186	1	BRACKET SOLUTION CONTROL	[3]
18	56412201	1	COVER SOLUTION TANK	[2]
19	56412242	1	CABLE SUPPORT	[3]
20	56412269	1	CABLE RETAINER	[2]
21	56412270	1	BRACKET CABLE SUPPORT	[3]
22	56412273	1	Barb Adapter 1/2 X 3/4 Gh T	[4]
23	56412275	1	Aftabningslange Br700	
24	56412276	1	HOSE SOLUTION E00604	
25	56412277	1	Solution Hose	
26	56409462	1	HOSE .50 X 12.0 E00604	
27	56412279	1	HINGE PIN	[2]
28	56324035	1	Elbow E00037	
29	56002124	1	SCREW10-24 X .62 PNH PH	
30	56001954	1	WSH FLT SAE 10	
31	56368776	1	Gummi Pakning .625Cv80L	
32	56009005	1	SCR PANPHILS TYPE AB 10-16X.75	
33	56412309	1	WATER LEVEL GAUGE	
34	56412332	1	CLAMP HOSE SUPPORT	[5]

Part Notes:

- [1] - EXPIRED ON 3/19/2009
- [2] - GUARANTEE DATE EXPIRED
- [3] - EXPIRED ON 12/16/2011
- [4] - STOCK COVERS GUARANTEE
- [5] - OPENED BY MISTAKE



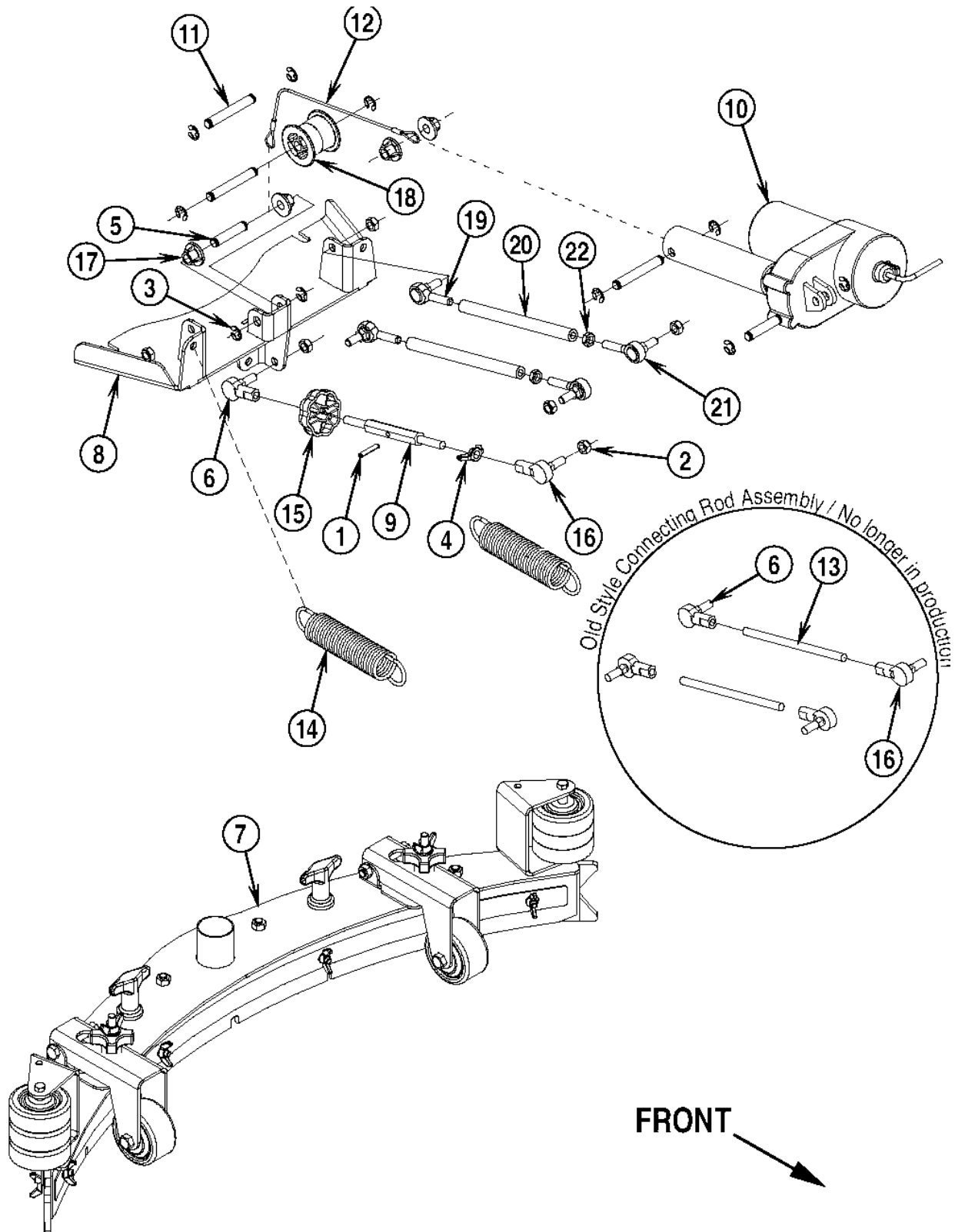
Resource notes:

Note: 12 56412373 1 Vac Hose Assembly (after SN 1608879 for 2800 after SN1610480 for BR 700) TSBUS2002-823 12 56392170 1 Hose Assembly (before SN 1608880 for 2800 before SN 1610481 for BR 700) TSBUS2002-823 14 56412152 1 Tank, Recovery (HR 2800) TSBUS2002-823 14 56412139 1 Tank, Recovery (BR 700) TSBUS2002-823 TSB US 2002-823. Vac hose update

Pos.	Vare-nr	Antal	Beskrivelse	Notes
01	56002098	6	Wsh Flt Sae 1/4	
02	56002108	6	SCR PAN PHIL 1/4-20 X 2.00	
03	56002793	6	SCR PAN PHIL 5/16-18 X .75	
04	56002896	8	Scr Pan Phil Ss 10-24X.62	
05	56009210	2	SCR PAN PHIL TYPE B 1/4X14X.62	
06	56324497	2	Float Cage F. Br850	
07	56325531	1	GRATE	[1]
08	56459937	1	Hose Vac	
09	56385437	1	Pakning	
10	56391690	1	Kugle, Flyder Ba500/600	
11	56391807	1	Foam, Accoustical	
12	56412373	1	"Sugeslange Br700 ""Ny"" "	
12	56392170	1	Sugeslange AX 300/400 - Ba700	
13	56407361	2	Clamp Plastic	
14	56412376	1	ADVANCE RECOVERY TANK KIT	[1]
14	56412372	1	NILFISK RECOVERY TANK KIT	[2]
15	56412153	1	VACUUM DUCT	[1]
16	56412154	1	GASKET VACUUM DUCT	
17	56412155	2	BRACKET EXHAUST HOSE	[3]
18	56412156	1	CAP	[1]
18	56412157	1	Pakning Br700	[4]
18	56412158	1	Cap Assembly	[4]
19	56412159	1	COVER RECOVERY TANK	[5]
20	56412160	1	SEPARATOR FOAM	[5]
21	56412163	1	COVER BRACKET	[6]
22	56412164	2	BRACKET TANK	[7]
23	56383339	1	DRAIN HOSE ASSY-1.5	
24	56412217	1	Filter Round	[1]
25	56412300	1	Sugemotor Br700	
25	56397098	1	CARBON BRUSH SET	
26	56412230	1	HINGE PLASTIC	[6]
27	56440213	3	Clamp Hose Sae #32E00047	
28	56477613	1	CABLE TIE E00549 RE409S	
29	56412068	1	GASKET	[1]
30	56469380	1	CLAMP CABLE .75 E00129	
31	56002145	1	SCR PAN PHIL 1/4-20 X .50	
32	56412093	1	HOSE CLAMP	
33	56002192	1	SCR PAN PHIL 10-24 X .75	

Part Notes:

- [1] - GUARANTEE DATE EXPIRED
- [2] - TSBUS2002-823
- [3] - EXPIRED ON 4/9/2008
- [4] - STOCK COVERS GUARANTEE
- [5] - STOCK COVERS GUARANTEE PE
- [6] - EXPIRED ON 12/16/2011
- [7] - Expired 11-15-2005



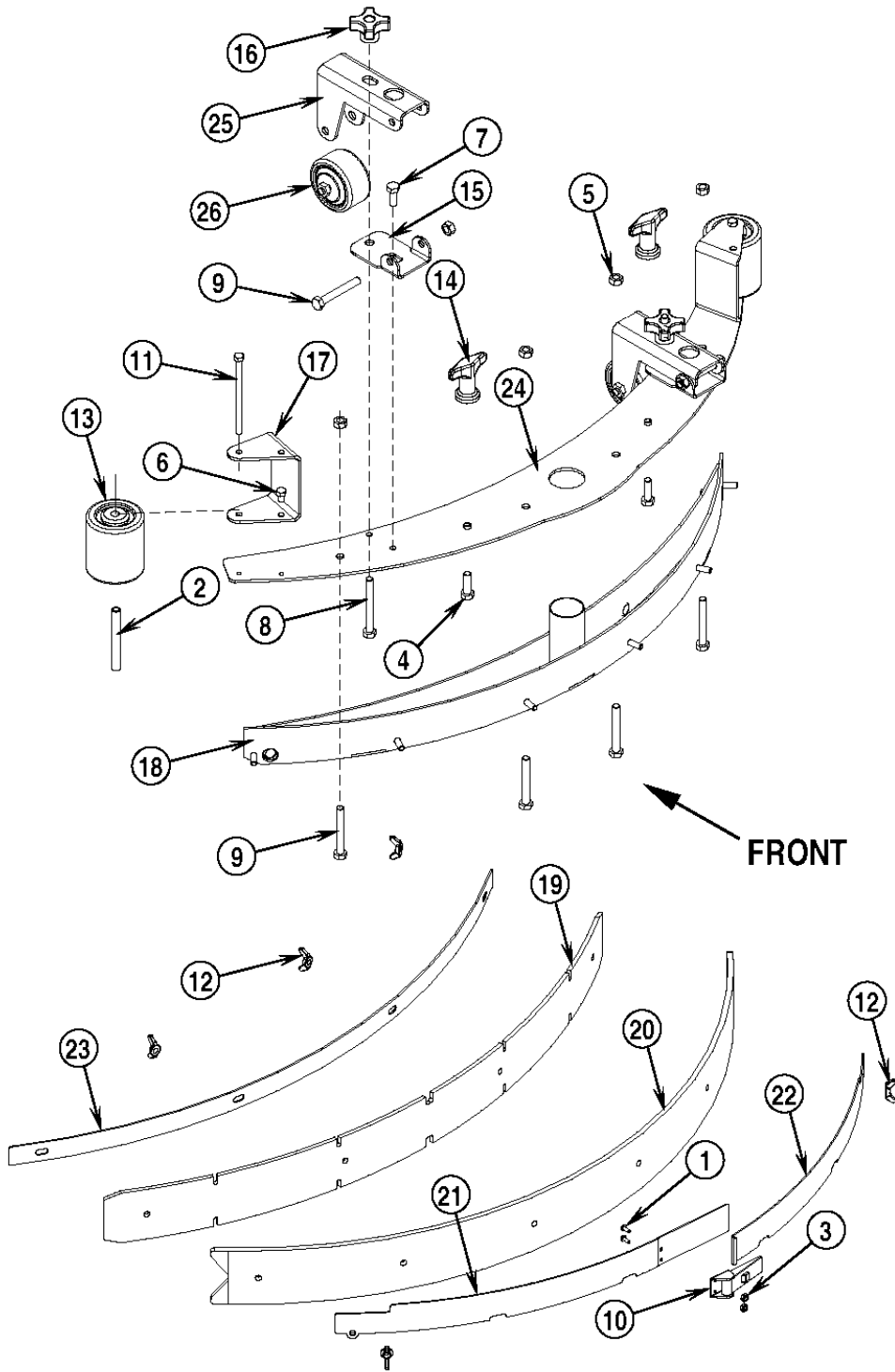
Resource notes:

NOTE* = Item 13 (Connecting Rod) is no longer available. Order a quantity of (1) of each of items 19-22 to replace a damaged item 13.

Pos.	Vare-nr	Antal	Beskrivelse	Notes
01	56002082	1	Pin Spr .19 X 1.00	
02	56002950	6	Nut Hex Nyl Loc 5/16-24	
03	56003262	10	Ring	
04	56003497	1	Møtrik Ss 5/16-24	
05	56104760	2	PIN C15J	
06	56395755	3	Rod End	
07	56412025	1	SQUEEGEE ASSY	[1]
08	56412036	1	Squeegee Monteringsplade Br700	[2]
09	56412067	1	Connecting Rod	
10	56393790	1	SWITCH LIMIT	[3]
10	56412072	1	ACTUATOR MOTOR	[2]
11	56412088	3	Pin	
12	56412340	1	Kabel	
13	56412121	2	CONNECTING ROD	
14	56412216	2	Spring Extension	
15	56412284	1	Knob Squeegee Adjust	
16	56477756	3	Ball Joint	
17	56412248	4	SPACER	
18	56412208	1	Bøsning	
19	56412313	2	Rod End 5/16 Lh	
20	56412314	2	Connecting Rod	
21	56412312	2	Rod End 5/16 R.H.	
22	56001884	2	Nut Hex Jam 5/16-24	

Part Notes:

- [1] - EXPIRED ON 02/19/2013
- [2] - GUARANTEE DATE EXPIRED
- [3] - EXPIRED 1/4/2008



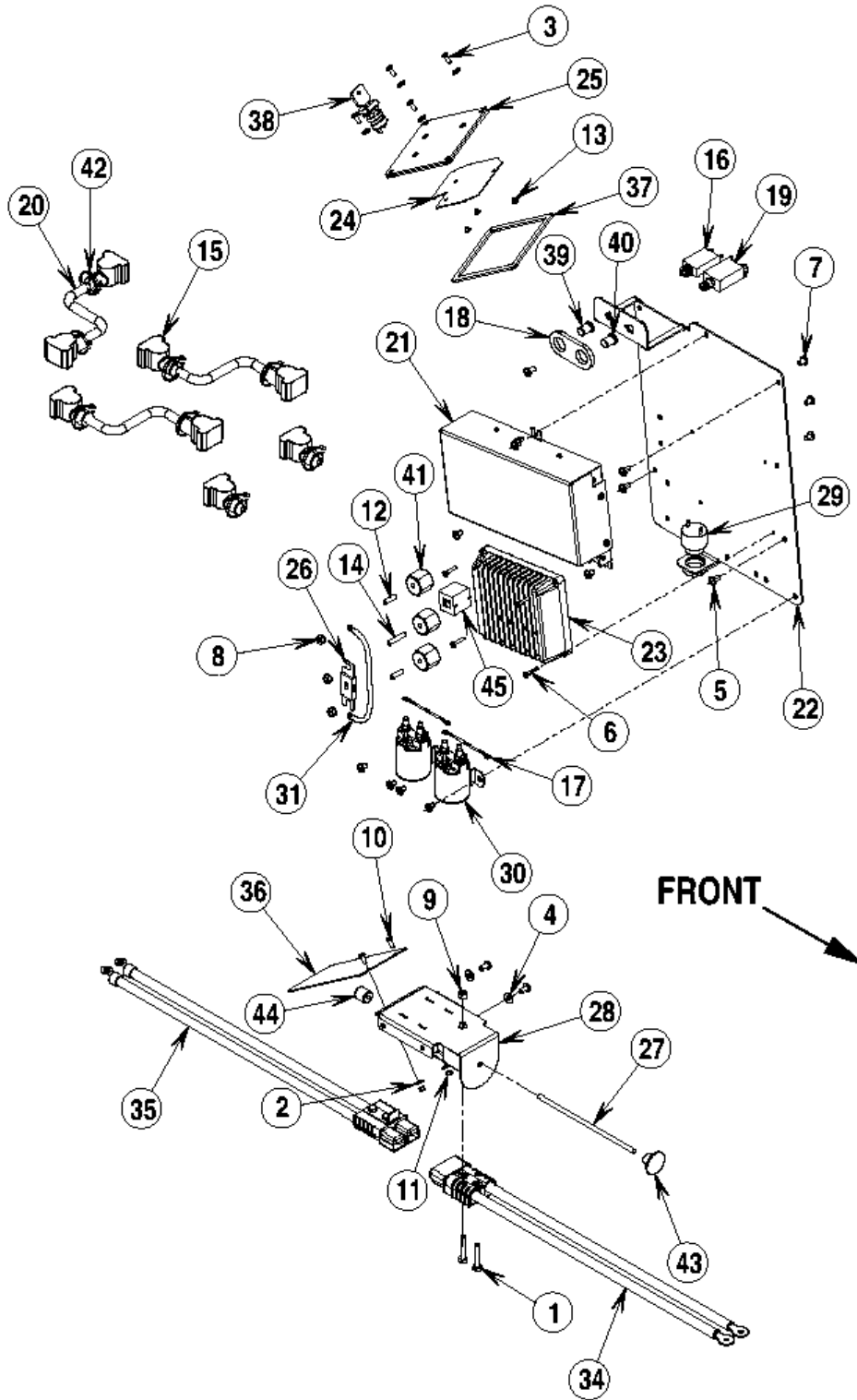
Resource notes: 500 10000

Note: 28" Accessories **564122651Standard Squeegee Blade Kit **564122881Neoprene Squeegee Blade Kit
 **564123371Blade, Front-Tile Linard 32" Accessories **564123701Standard Squeegee Blade Kit
 **564123711Neoprene Squeegee Blade Kit **564123691Blade, Front-Tile Linard ** = Optional

Pos.	Vare-nr	Antal	Beskrivelse	Notes
00	56412337	1	Sugelæbe, Forest Br700 Ujævne Gulve	[1]
00	56412371	1	BLADE KIT-SQUEEGEE NEO	[2]
00	56412025	1	SQUEEGEE ASSY	[3]
00	56412265	1	Kit, Sugelæber, Standard	
00	56412356	1	SQUEEGEE ASSY	[4]
00	56412369	1	BLADE SQGEE RED GUM FR	[1]
00	56412370	1	Sugelæbe Kit Gummi Br700 271-104	
00	56412288	1	Sugelæbekit, Neopren Br700	[1]
01	56002909	2	Scr Pan Phil Ss 6-32X.38	
02	56412176	2	Bushing	
03	56002964	2	Nut Hex Nyl Loc Thin Ss 6	
04	56003319	2		
05	56003405	6	Nut Hex Nyl Loc M8X1.25 F. Br850	
06	56003498	2	SCR HEX HD SS M6-1.0X 10MM	[1]
07	56003435	2	SCR HEX SS M8-1.25X20MM	
08	56003649	2	SCR HX THD2 HD SS 5/16-18X2.75	[5]
09	56003464	6	SCR HEX SS M8 1.25 X 60MM	
10	56471194	1	Smæklås Ba500/600	
11	56003492	2	SCR HEX M6-1.0 X 100MM	
12	56009111	6	1/4-20 Ss Wing Nut F.Br850	
13	56412459	2	Wheel	
14	56370711	2	Vingemøtrik	
15	56407302	2	Bracket F.Br850	[6]
16	56407510	2	Knob	
17	56407365	2	BRACKET	[1]
18	56412363	1	TOOL WELDT	[4]
18	56412026	1	TOOL WELDT	[1]
19	56412361	1	Sugelæbe, Forest Br700	
19	56412289	1	Sugelæber, Olieresistent	[1]
19	56412367	1	BLADE SQUEEGEE NEO FR	[1]
19	56412029	1	Sugegummi Br700, For	
20	56412368	1	Sugelæbe Olieresistent Bagerst Br700	[1]
20	56412030	1	Sugegummi Br700, Bag	
20	56412290	1	Sugelæber, Olieresistent	[1]
20	56412358	1	Sugelæbe, Bagerst Br700	[7]
21	56412360	1	STRAP REAR	[8]
21	56412031	1	STRAP REAR	[1]
22	56412032	1	STRAP REAR	[1]
22	56412359	1	STRAP REAR	[1]
23	56412033	1	STRAP FRONT	[1]
23	56412362	1	STRAP FRONT	[1]
24	56412357	1	PLATE	[9]
24	56412035	1	PLATE	[1]
25	56412099	2	BRACKET	[1]
26	56412124	2	Hjul Squeegee Br700	

Part Notes:

- [1] - GUARANTEE DATE EXPIRED
- [2] - STOCK COVERS GUARANTEE PE
- [3] - EXPIRED ON 02/19/2013
- [4] - EXPIRED ON 7/7/2011
- [5] - STOCK COVERS GUARANTEE
- [6] - EXPIRED USE 56111936
- [7] - PRUNED ACCESSORIES
- [8] - EXPIRED ON 01/07/2013
- [9] - EXPIRED ON 12/16/2011



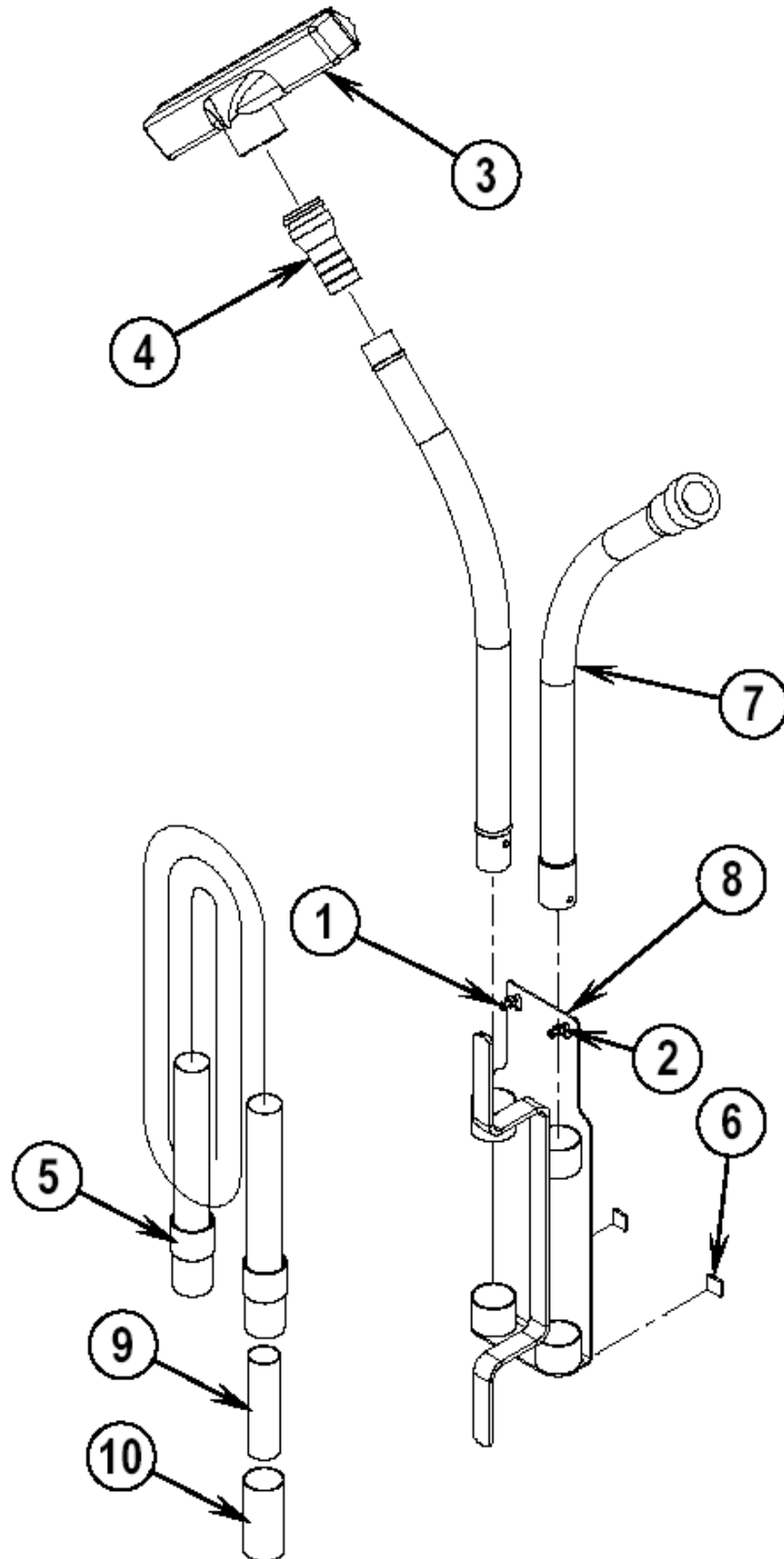
FORM NO. 56042373
Resource notes:

Pos.	Vare-nr	Antal	Beskrivelse	Notes
00	56409823	1	PROGRAMMER CABLE	[1]
00	56412271	1		
00	56412181	1	Cable Assembly (Not Shown)	[2]
00	56412272	1	CHARGER 24 VOLT 120V	[3]
00	56409441	1	PROGRAMMER 1311NP USER	[4]
01	56001833	2	Bolt	
02	56001954	6	WSH FLT SAE 10	
03	56001993	4	SCREW 10-24 X 0.5 ZINC PL	
04	56002098	2	Wsh Flt Sae 1/4	
05	56002145	6	SCR PAN PHIL 1/4-20 X .50	
06	56002318	4	SCR PAN PHIL 8 32 X .88	[3]
07	56002462	11	SCR PAN PHIL 1/4-20 X .38	
08	56002708	3	Nut Hex Nyloc 1/4-20	
09	56002708	2	Nut Hex Nyloc 1/4-20	
10	56003377	2	SCR PAN PHIL M5X12MM	
11	56003402	2	NUT HEX NYL LOC M5 X 0.80	
12	56009020	2	1/4-20 X 7/8 Stud	
13	56009055	3	SCR PAN PHIL 8 32 X .19	[3]
14	56009203	1	STUD 1/4-20X1.31	
15	56372673	8	BOOT BATTERY POST	
16	56387316	1	Circuit Breaker 10A E001	
17	56389265	2	RECTIFIER ASSY.	[5]
18	56407193	1	GASKET	
19	56407343	1	Circuit Breaker 45 Amp (Wheel Drive)F.Br	[6]
20	56409485	3	CABLE ASSY.1 X 15.00	
21	56412050	1	Control Box Assembly	[3]
22	56412051	1	PANEL ELECTRICAL	[3]
23	56412318	1	CONTROLLER 24V	[7]
23	56412053	1	Controller 24V	[3]
24	56412081	1	Display Br700	[3]
25	56412085	1	Display Panelsæt F.Br700	[1]
26	56412089	1	Fuse 150 Amp	
27	56412127	1	ROD DISCONNECT	[8]
28	56412130	1	DISCONNECT SUPPORT WELDT	[9]
29	56412177	1	HORN BACKUP ALARM	
30	56412179	2	Contactora 24 Vdc	
31	56412180	1	CABLE ASSY	[10]
34	56412228	1	CABLE ASSY 1 AWG	[3]
35	56412229	1	CABLE ASSY 1 AWG	[3]
36	56412264	1	SPLASH GUARD	[8]
37	56412274	1	GASKET	[2]
38	56420113	1	Nøgleafbryder	
39	56459367	1	BOOT RESET BUTTON E00585	
40	56459368	1	Boot, Reset Button F.Br850	
41	56469858	3	Insulated Standoff	
42	56478246	8	CABLE TIE E00549 RE438BA	
43	56478605	1	KNOB 1.37 X 1/4-28	
44	56478660	1	BLOCK RE436F	
45	56412299	1	CABLE SUPPRESSION CORE	[3]

Part Notes:

- [1] - EXPIRED NO REPLACEMENT
- [2] - STOCK COVERS GUARANTEE PE
- [3] - GUARANTEE DATE EXPIRED
- [4] - EXPIRED USE 56383571
- [5] - TSBUS2003-843
- [6] - STOCK COVERS GUARANTEE
- [7] - GUARANTEE STILL RUNNING
- [8] - EXPIRED ON 12/16/2011

- [9] - EXPIRED 4/30/2007
- [10] - EXPIRED ON 9/11/2008

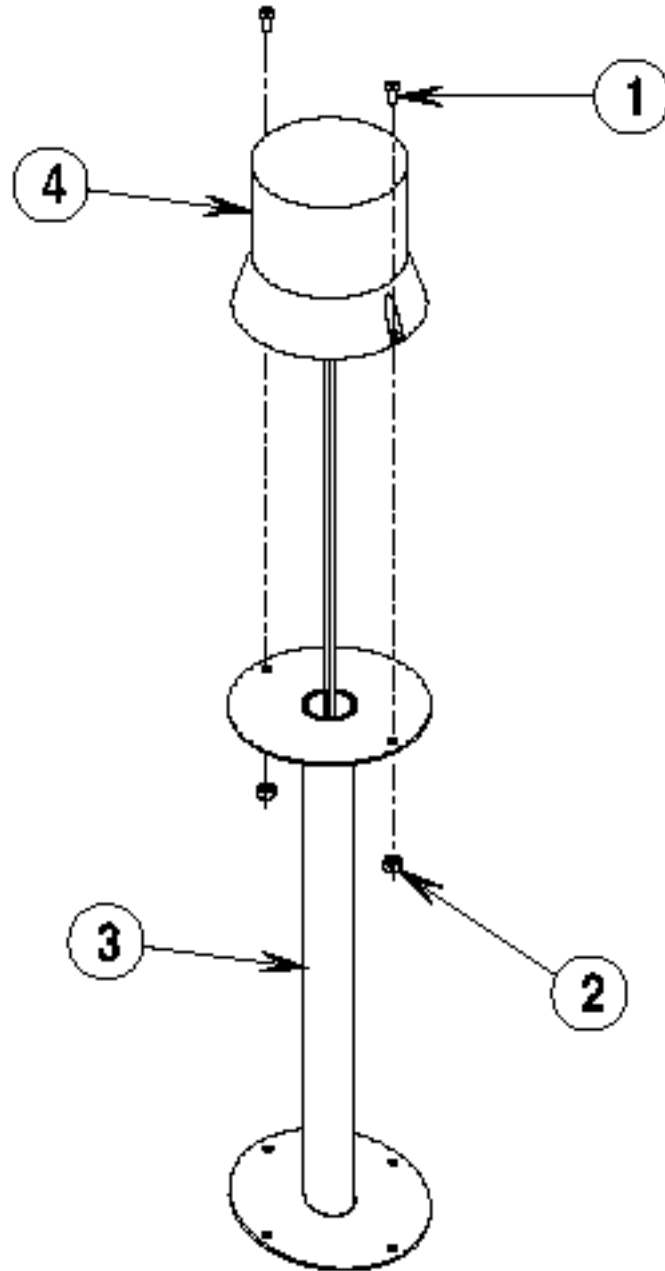


Resource notes:

Pos.	Vare-nr	Antal	Beskrivelse	Notes
00	56412223	1	EKSTERNT SUGEKIT	
01	56002124	2	SCREW10-24 X .62 PNH PH	
02	56412310	2	BUSHING STEPPED	
03	56205114	1	"Sugeredskab 14""As "	
04	56301339	1	"1.5"" Coupler"	
05	56329062	1	Hose Assy., Vac	[1]
06	56402940	2	BUMPER .812 SQ CR666	[1]
07	56409563	1	Wand, 2 Piece	[2]
08	56412227	1	CADDY WELDT	[1]
09	56204536	1	COUPLER EXTENSION HP63	[3]
10	56314399	1	COUPLER	[1]

Part Notes:

- [1] - GUARANTEE DATE EXPIRED
- [2] - STOCK COVERS GUARANTEE
- [3] - PRUNED ACCESSORY

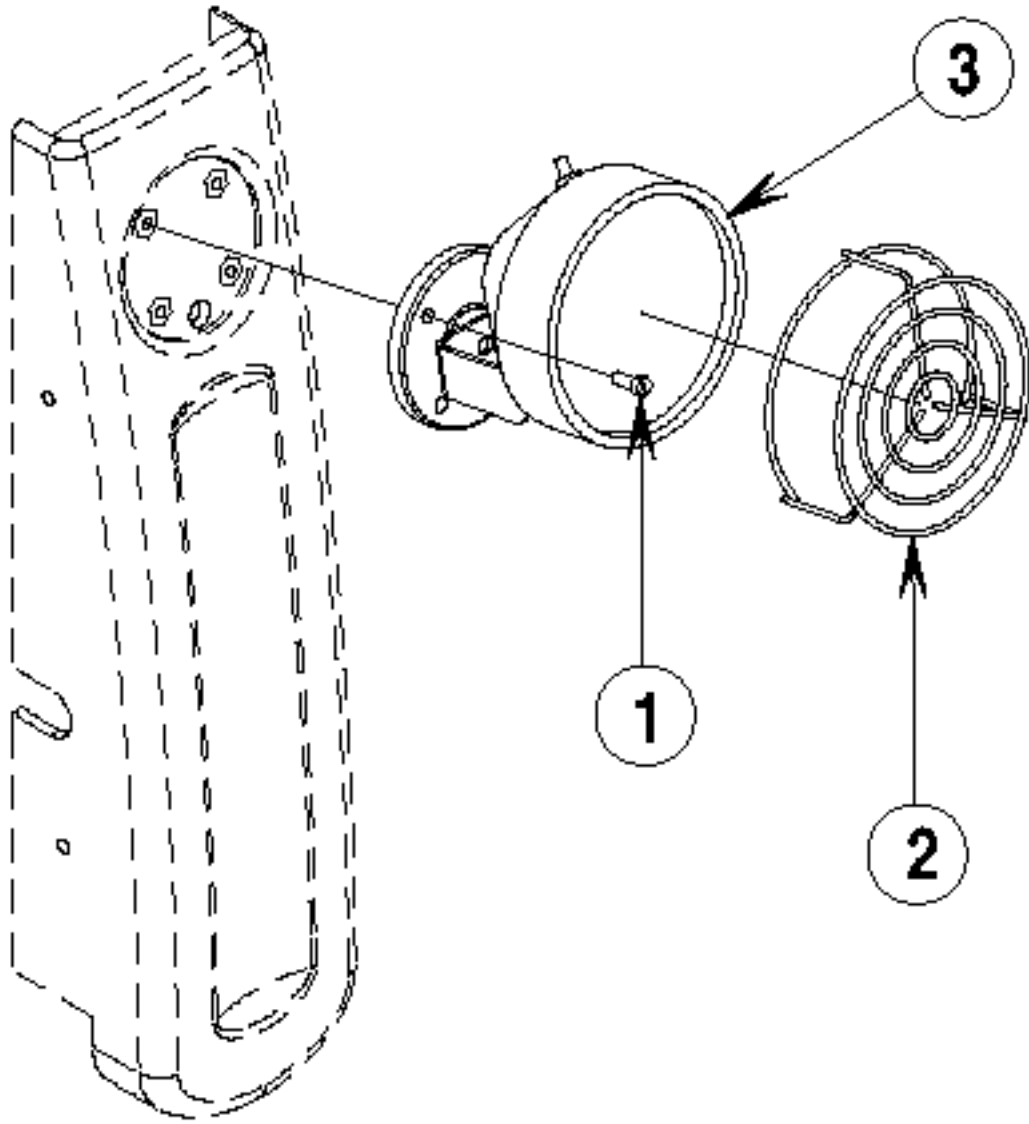


Resource notes:

Pos.	Vare-nr	Antal	Beskrivelse	Notes
00	56412224	1	BEACON KIT	[1]
01	56001993	2	SCREW 10-24 X 0.5 ZINC PL	
02	56002832	2	Nyloc Møtrik	
03	56412253	1	BEACON WELDT	[2]
04	56416433	1	STROBE	
04	56416436	1	Pære, Forlygte Cr1300	[3]
04	56416435	1	LENS AMBER	[4]

Part Notes:

- [1] - ACC. FOR OBSOLETE MACHINE
- [2] - EXPIRED ON 9/6/2011
- [3] - STOCK COVERS GUARANTEE
- [4] - Machine outphased 2006



Resource notes:

Pos.	Vare-nr	Antal	Beskrivelse	Notes
00	56412222	1	HEADLIGHT KIT	[1]
01	56002507	4	Scr Pan Phil 1/4-20X0.75	
02	56409557	1	GUARD HEADLIGHT	[2]
03	56172230	2	TERM. .250 INS. TAB	[2]
03	56412185	1	HEADLIGHT 24V	[3]

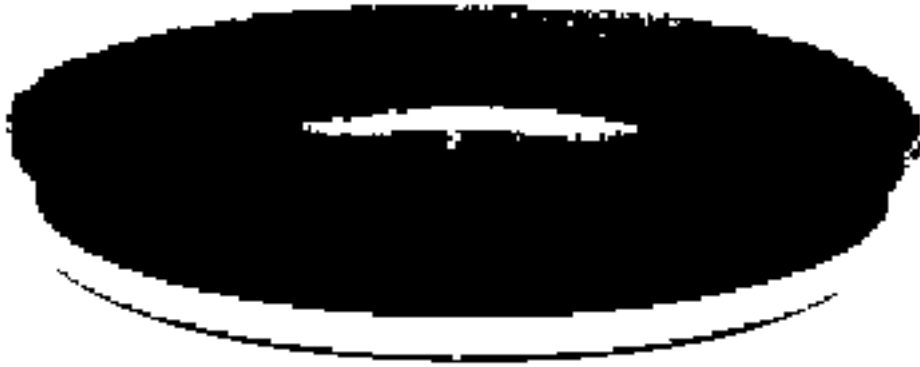
Part Notes:

- [1] - EXPIRED ON 8/16/2006
- [2] - GUARANTEE DATE EXPIRED
- [3] - EXPIRED 04/03/2006

Pos.	Vare-nr	Antal	Beskrivelse	Notes
A1	56412053	1	Controller 24V	[1]
A1	56412318	1	CONTROLLER 24V	[2]
A2	56412050	1	Control Box Assembly	[1]
A3	56412081	1	Display Br700	[1]
BT	56388582	6	BATTERY 6V 420AH WET	[3]
D1	56389265	1	RECTIFIER ASSY.	[4]
D2	56389265	1	RECTIFIER ASSY.	[4]
F1	56412089	1	Fuse 150 Amp	
F2	56387316	1	Circuit Breaker 10A E001	
F3	56407343	1	Circuit Breaker 45 Amp (Wheel Drive)F.Br	[5]
H1	56412185	1	HEADLIGHT 24V	[6]
H2	56416433	1	STROBE	
H3	56412177	1	HORN BACKUP ALARM	
K1	56412179	1	Contactora 24 Vdc	
K2	56412179	1	Contactora 24 Vdc	
L1	56412076	1	Solenoid Valve	[1]
M1	56393303	1	Actuator F/Ba600	
M2	56412072	1	ACTUATOR MOTOR	[1]
M3	56412218	1	Motor Vac 24Vdc	
M3	56397098	1	CARBON BRUSH SET	
M4	56412214	1	MOTOR 1.5HP 24VDC	[1]
M4	56412178	1	Motor 24Vdc 75Hp	[1]
M5	56412168	1	Køremotor Kompl.Br700	[1]
M6	56412178	1	Motor 24Vdc 75Hp	[1]
R2	56454740	1	Spændingsmeter Ba500/600	
S1	56420113	1	Nøgleafbryder	
S2	56409613	1	Sædekontakt Br700/850	

Part Notes:

- [1] - GUARANTEE DATE EXPIRED
- [2] - GUARANTEE STILL RUNNING
- [3] - Machine outphased 2003
NOT FOR SALE VIA EDC
- [4] - TSBUS2003-843
- [5] - STOCK COVERS GUARANTEE
- [6] - EXPIRED 04/03/2006



Resource notes:

Pos.	Vare-nr	Antal	Beskrivelse	Notes
00	56505804	1	Børste Prolene 14,5" Ø370 mm	
00	56505806	1	Børste Union Mix 14,5" Ø370 mm	
00	56505800	1	Rondelholder 14" Ø355 mm	
00	56505808	1	Børste Midlite Grit 240 14,5" Ø370 mm	
00	56505802	1	Børste Dyna Grit 80 14,5" Ø370 mm	
00	56505801	1	Børste Magna Grit 46 14,5" Ø370 mm	
00	56505807	1	Børste Mid Grit 180 14,5" Ø370 mm	
00	56505805	1	Børste Prolite 14,5" Ø370 mm	
00	56505803	1	Børste Aglite Grit 500 14,5" Ø370 mm	

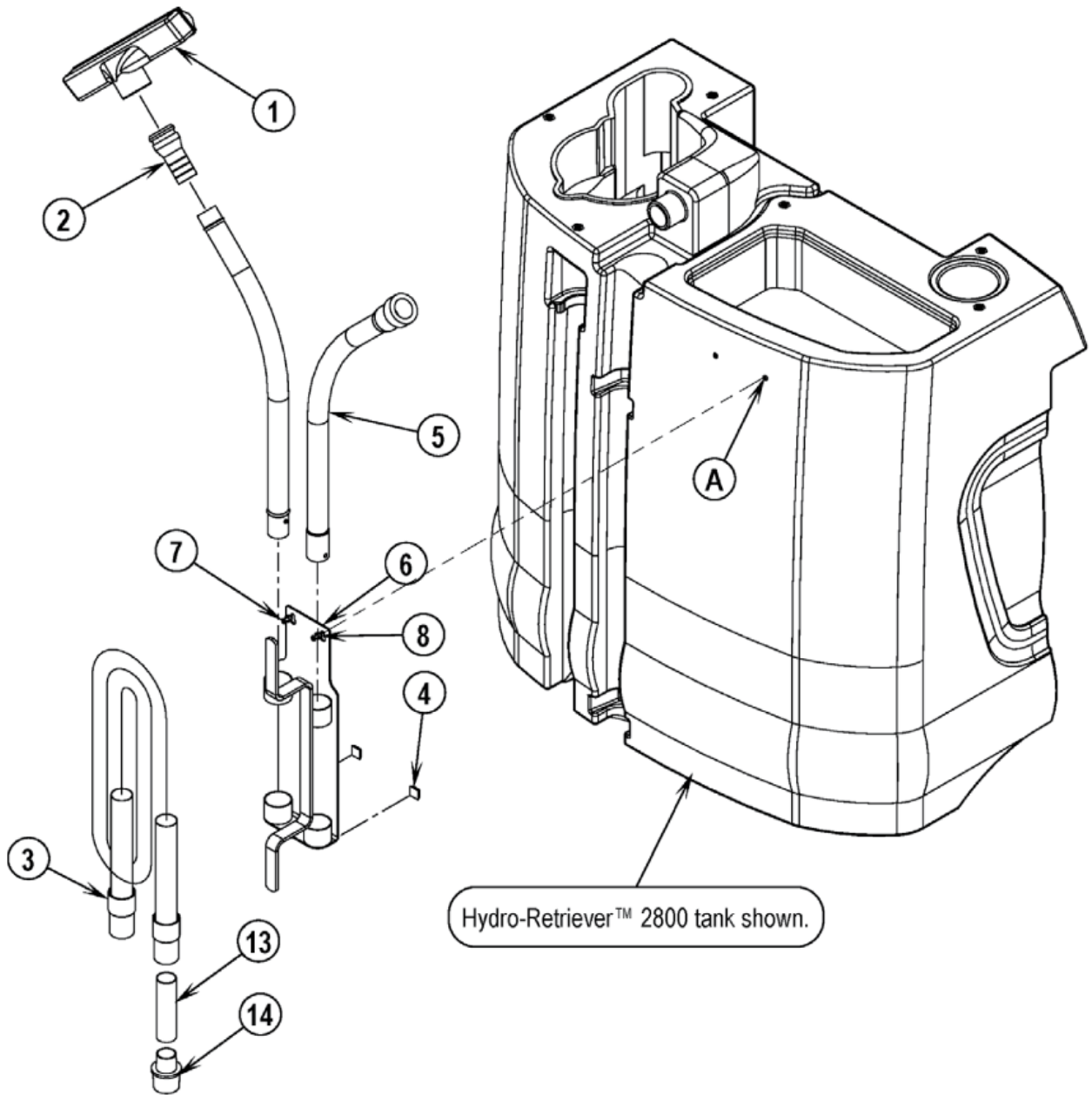


Resource notes:

Pos.	Vare-nr	Antal	Beskrivelse	Notes
00	56412194	1	Børste Grit 80 sort 680 mm	[1]
00	56407473	1	Børste,Bl. Nyl. 790Mm Gul	
00	56407477	1	Børste,Dyna Gr.790Mm Sort	
00	56412046	1	Cylinderbørste polypropylen 710 mm	
00	56407475	1	Børste, Prolene 790Mm Rød	
00	56412192	1	Cylinderbørste nylon 710 mm	
00	56412191	1	Cylinderbørste blød nylon gul 680 mm	[1]
00	56407476	1	Børste,Midl.180 790Mm Grå	
00	56407474	1	Børste, Nyl.H. 790Mm Hvid	
00	56407478	1	BRUSH 46 GRIT 32-ORANGE/BROWN	
00	56412195	1	Cylindrisk børste Super Grit 690 mm	[1]
00	56412193	1	Cylinderbørste Grit 180 grå/blå 710 mm	

Part Notes:

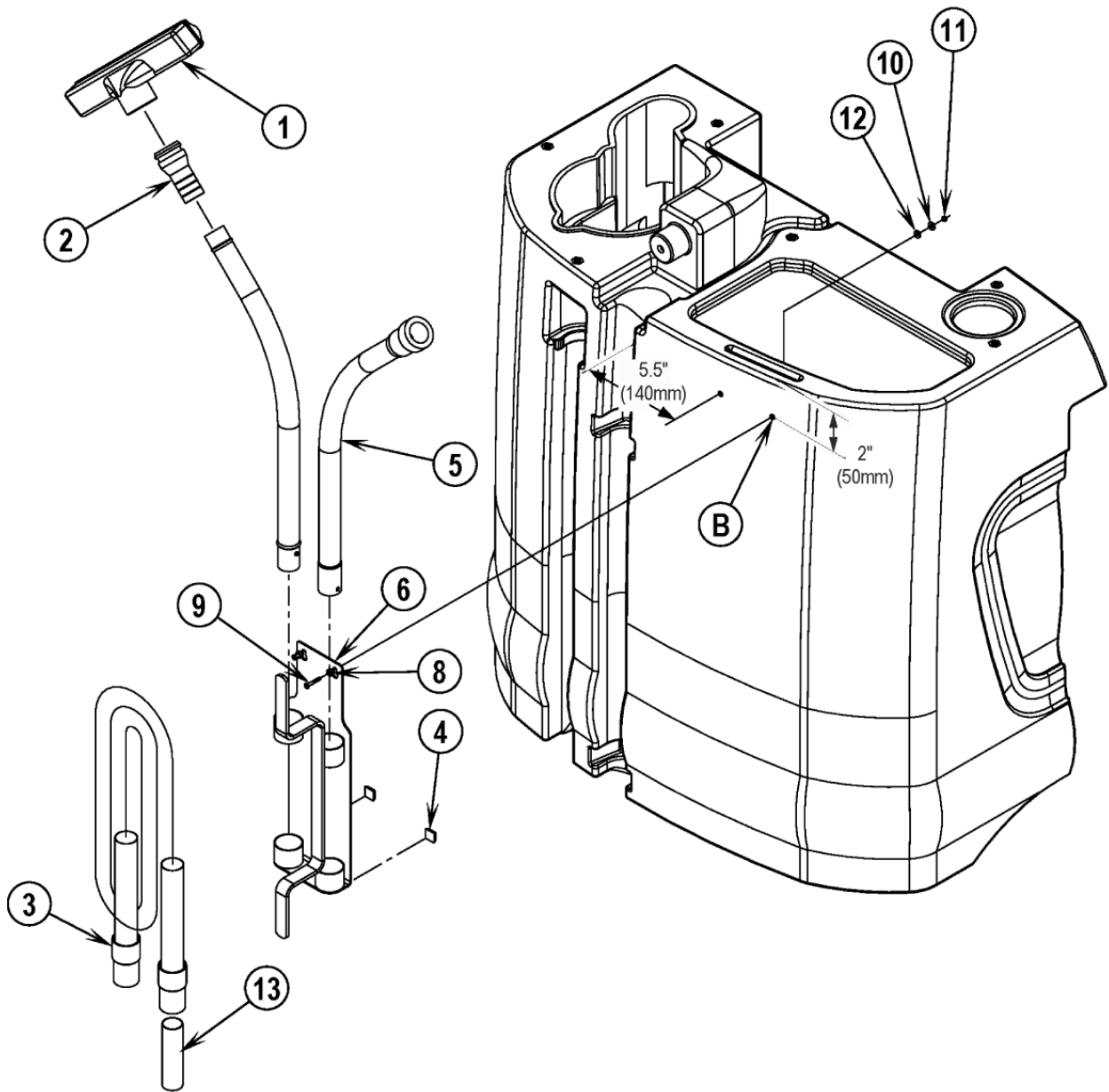
[1] - COMPLEXITY REDUCTION



Pos.	Vare-nr	Antal	Beskrivelse	Notes
00	56412223	1	EKSTERNT SUGEKIT	
01	56205114	1	"Sugeredskab 14""As "	
02	56301339	1	"1.5"" Coupler"	
03	56329062	1	Hose Assy., Vac	[1]
04	56402940	2	BUMPER .812 SQ CR666	[1]
05	56409563	1	Wand, 2 Piece	[2]
06	56412227	1	CADDY WELDT	[1]
07	56002124	2	SCREW10-24 X .62 PNH PH	
08	56412310	2	BUSHING STEPPED	
13	56204536	1	COUPLER EXTENSION HP63	[3]

Part Notes:

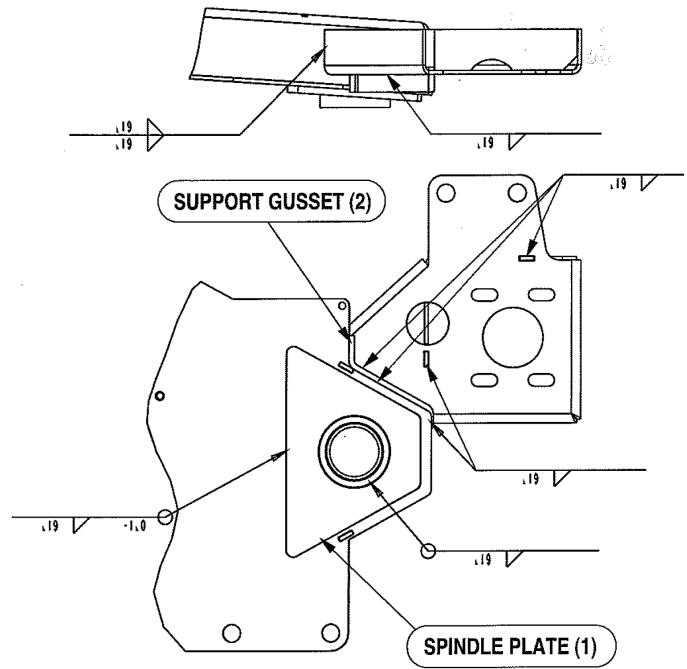
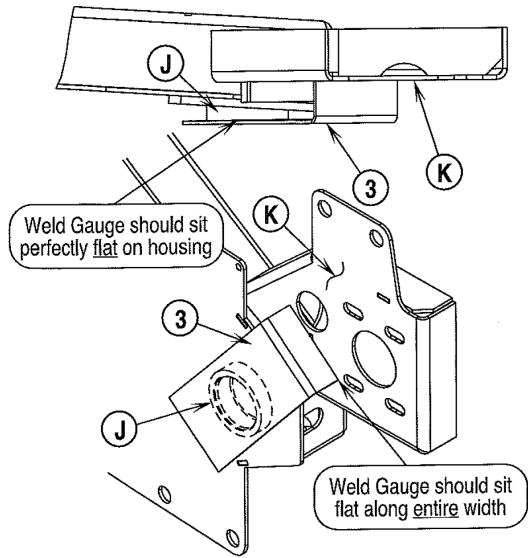
- [1] - GUARANTEE DATE EXPIRED
- [2] - STOCK COVERS GUARANTEE
- [3] - PRUNED ACCESSORY



Pos.	Vare-nr	Antal	Beskrivelse	Notes
00	56412223	1	EKSTERNT SUGEKIT	
01	56205114	1	"Sugeredskab 14""As "	
02	56301339	1	"1.5"" Coupler"	
03	56329062	1	Hose Assy., Vac	[1]
04	56402940	2	BUMPER .812 SQ CR666	[1]
05	56409563	1	Wand, 2 Piece	[2]
06	56412227	1	CADDY WELDT	[1]
08	56412310	2	BUSHING STEPPED	
09	56003286	2	SCR PAN PHIL SS 10-24 X1.25	[1]
10	56009205	2	Wsh,Flt Ss 219X500S.047/	
11	56002836	2	NUT HEX NYL LOC SS 10-24	
12	56412315	2		[3]
13	56204536	1	COUPLER EXTENSION HP63	[4]

Part Notes:

- [1] - GUARANTEE DATE EXPIRED
- [2] - STOCK COVERS GUARANTEE
- [3] - #10
- [4] - PRUNED ACCESSORY



Pos.	Vare-nr	Antal	Beskrivelse	Notes
00	56412464	1	SPINDLE REPAIR KIT	[1]
01	56412462	1		
02	56412463	1		
03	56412465	1		

Part Notes:

[1] - TSB747

