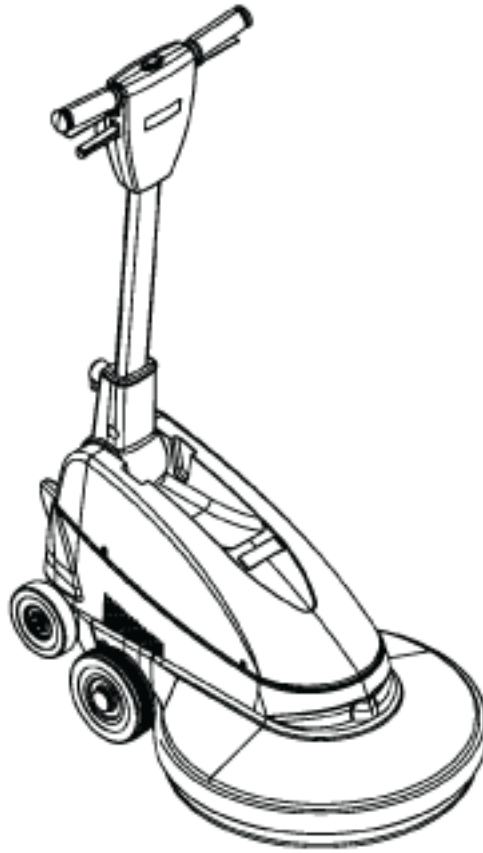


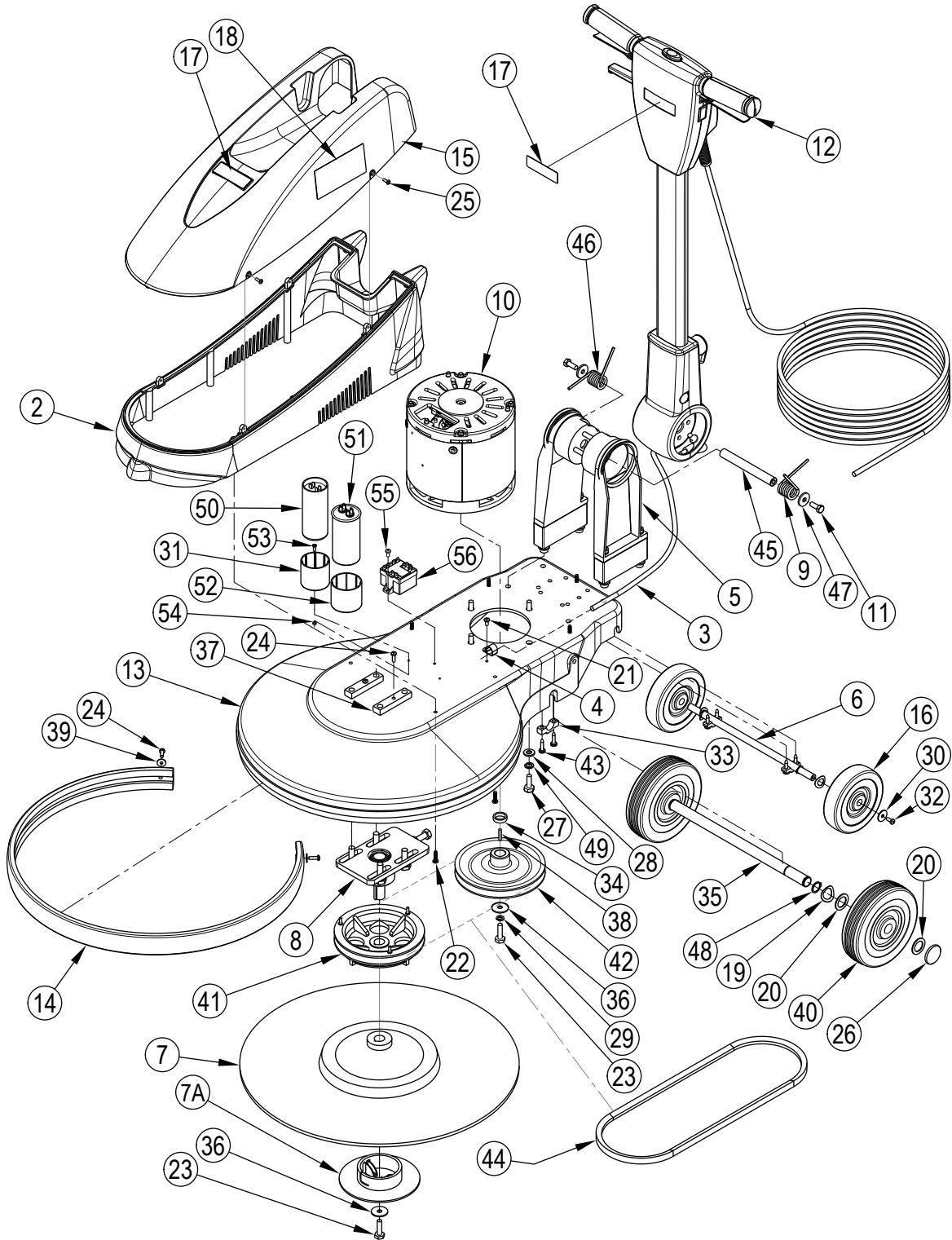
PARTS LIST



2018.10.03

TABLE OF CONTENTS

Machine overview	1
Handle system	4
Pads guide and Wiring	7
Recommended spare parts	9



Pos.	Vare-nr	Antal	Beskrivelse	Notes
2		1	BOTTOM COVER ASM BLUE	
3	VF45121B	1	BURNISHER INTERCONNECT CABLE	
4	VV50712	1	CLAMP	
5	VF52213	1	ARM KIT	
6	VF52214	1	AXLE TRANSPORTATION KIT	
7	56925A	1	PAD DRIVER	
7A	57369A	1	"Retainer, Pad, ""Bot Half Only""	[1]
8	VF52220	1	DRIVEN SHAFT KIT	
9	VF521112	1	HANDLE LEFT SPRINGSRING, CCW	[2]
10	YLQ40000	1	BU500 MOTOR ASM	[3]
11		2	SCR M8 X 12 HEX	
12		1	SEE HANDLE ASSEMBLY	
13	20037A	1	MAINFRAME BLACK BURNISHER	[4]
14	30886A	1	BUMPER	
15		1	COVER UPPER BLUE	
16	VF52017N	2	WHEEL TRANSPORT	
17		2	LABEL HANDLE NILFI SK ALTO	
18		2	LABEL NILFI SK ALTO SPINTEC 551 UH	
19		2	WASHER BOWED 20 MM	
20		2	WASHER FLAT 20MM	
21	VV20509	1	SCREW M5 X 10	
22		7	SCREW M5 X 20-ST PH	
23	GT13018	2	SCREW M8x30	
24	VA13474	7	SCREW M5 X 16	
25		4	SCREW	
26	VA96851	2	WHEEL CAP	
27	VF13497	4	SCREW 3/8-16 HEX	
28	VF13517	4	WASHER PLAIN F10xF20x2.5	
29	VF13519	1	WASHER LOCK M8	
30	VF13666	2	WASHER PLAIN F6	
31	VF52110	2	CLAMP CAPACITOR	
32	VF44012	2	SCREW M6X12.7	
33		2	WHEEL CLAMP LARGE	
34	VF52008	1	SPACER DRIVING PULLEY	
35		1	AXLE MAIN	
36	VF52021	2	WASHER PLAIN F8xF30x5	
37	VF52106	2	MOUTING PLATE	
38	ZD40205	1	KEY MOTOR	
39	VF13474A	2	WASHER PLAIN f5xf16	
40		2	WHEEL 160MM DIA. GRAY	
41	VF52004A	1	DRIVEN PULLEY	
42	VF52009G	1	DRIVING PULLEY	
43		4	SCR M5X20 SELF TAPPING CROSS RECESS PAN	
44	VF14079	1	VEE BELT 43 INCH	
45		1	SHAFT	
46	VF521113	1	HANDLE RIGHT SPRINGSRING, CCW	[2]
47		2	WASHER 8MM	
48		2	RING-RETAINING EXTERNAL 19MM (.750)	
49	VF13518	4	WASHER LOCK f10	
50	VF999849	9	START CAPACITOR 100F/300V	
51	YLQ14401	1	RUNNING CAPACITOR	[5]
52	VF74102	1	HOLDER SMALL CAPACITOR	
53	VF13490	1	SCREW M4 x 12	
54	GT13014	1	NUT M4 NYLON INSERT	
55	VV13650A	1	SCREW M4X10	[6]
56	YLQ28304	1	START RELAY	[6]
K1	56381552	1	UPPER COVER KIT SPINTEC 551 UH	[7]
K2	56381551	1	LOWER COVER KIT NILFISK BU500	[8]
K2	56381553	1	LOWER COVER KIT SPINTEC 551 UH	[7]

Pos.	Vare-nr	Antal	Beskrivelse	Notes
K3	56381554	1	BURNISHER BALANCE SPRING KIT	[8]
K4	56381556	1	BURNISHER MAIN AXLE KIT	[8]
K5	11282A	1	Hjul kit	[8]
K6	56381548	1	DECAL KIT ALTO 551 UH	[9]
K6	56381545	1	DECAL KIT NILFISK ALTO SPINTEC 551 UH	[10]

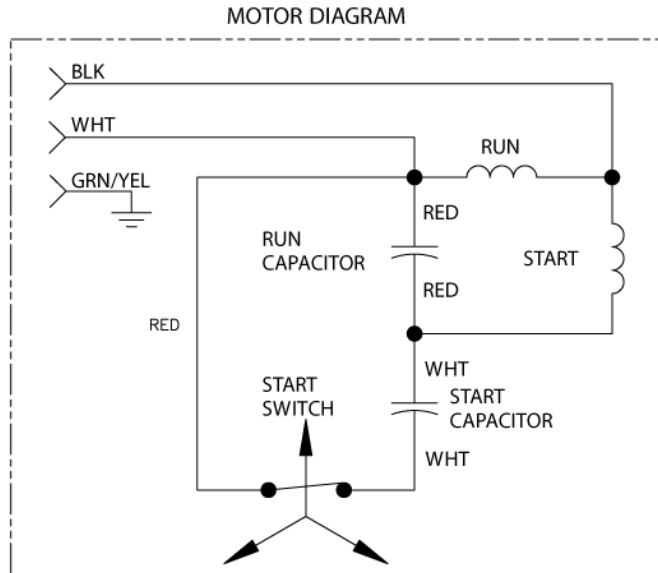
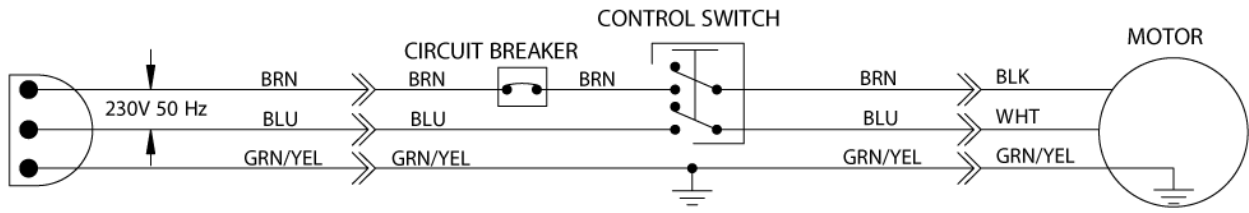
Part Notes:

- [1] - (part of 56925A)
- [2] - SPRING, CCW
- [3] - TSB-FC-2017-282 new motor BU500
DE TSB-FC-2017-282 BU500 Spintec 551 neuer Motor
- Machines built before February 2017 used Motor YLQ36000 (now obsolete), to replace order SP-YLQ40300 Motor Assembly Kit.
- [4] - SEE PI 2017-002
- [5] - Machines built before February 2017 used Run Capacitor VF32109.
Machines built after January 2017 (and machines updated with SPYLQ40300 Motor Assembly Kit) use run capacitor YLQ14401.
- [6] - Only used on machines built after January 2017 (and machines updated with SP-YLQ40300 Motor Assembly Kit).
- [7] - STOCK COVERS GUARANTEE
- NS = Not Shown K1 incl. pos.15,25 K2 incl. pos. 2,22 K3 incl. pos. 9,11,45,46,47 K4 incl. pos.33,35,43 K5 incl. pos. 19,20,26,40,48 K6 incl. pos. 17,18
- [8] - NS = Not Shown K1 incl. pos.15,25 K2 incl. pos. 2,22 K3 incl. pos. 9,11,45,46,47 K4 incl. pos.33,35,43 K5 incl. pos. 19,20,26,40,48 K6 incl. pos. 17,18
- [9] - NILFISK-ALTO
- NS = Not Shown K1 incl. pos.15,25 K2 incl. pos. 2,22 K3 incl. pos. 9,11,45,46,47 K4 incl. pos.33,35,43 K5 incl. pos. 19,20,26,40,48 K6 incl. pos. 17,18
SEE PI 2017-002
- [10] - ALTO
- NS = Not Shown K1 incl. pos.15,25 K2 incl. pos. 2,22 K3 incl. pos. 9,11,45,46,47 K4 incl. pos.33,35,43 K5 incl. pos. 19,20,26,40,48 K6 incl. pos. 17,18

Pos.	Vare-nr	Antal	Beskrivelse	Notes
01	VF99012	1	CIRCUIT BREAKER 12 AMP	
02		3	M5 WASHER SH1210-00	
03		2	LEVER SWITCH	
04		1	COVER HANDLE FRONT	
05		1	COVER REAR	
06		1	LEVER HANDLE ADJUSTMENT	
07		1	CAP RUBBER	
08		1	COVER FRONT	
09		1	COVER REAR	
10		1	HOOK CORD	
11	40263A	1	Kontakt	
12	40268A	1	CORD POWER	
13		1	SPRING INTERLOCK BUTTON	
14		1	HOUSING GEAR INDEX	
15		3	PIN HANDLE SUPPORT	
16		1	HANDLE SUPPORT	
17		1	SCREW M5 X 43 SS HEX HEAD	
18		1	SCREW M5 X 40 SS PAN HEAD	
20		4	SCREW M5 X 35 SS FLAT HEAD PHILLIPS	
21		2	SCREW M5 X 25 SS FLAT HEAD PHILLIPS	
22		1	SCR SHOULDER 12MM X 35MM,	
23		1	SPRING 15 MM X 15 MM LONG	
24	VF52153	1	HANDLE PLUG	[1]
25		4	SCREW M6 X 40 SS HEX HEAD	
26		6	Screw M5 X 12 SS Truss Head Phillips	
27		1	NUT	
28		2	PLATE-GROOVED	
29		2	O-RING	
30		1	WASHER M4 X 16	
31		4	NUT	
32		2	SCREW M3 X 25 SS PAN HEAD	
33		4	WASHER	
35		2	SCREW ST4-1.4 X25 PAN HEAD	
36		2	SCREW ST4-1.4 X 30 PAN HEAD	
37		1	Nut M4 SS Nylon Insert	
38		1	Nut Lock M5 SS Hex	
39		1	BUTTON INTERLOCK	
40		1	SPRING	
41		1	HOUSING SPRING BLACK	
42		1	CLAMP CORD	
43		1	STRAIN RELIEF	
44		1	TUBE HANDLE	
45		1	GEAR HANDLE ADJUSTMENT	
46		1	GEAR	
47		1	Plunger Rod	
48		1	BALL INTERLOCK 10MM	
49		2	Screw, M4 X 8 Ss Pan Head Phillips	
50		2	WASHER M3 EXTERNAL TOOTH	
51	56381542	1	SWITCH WIRE ASM	
52		1	Support Handle Tube	
K1	11269A	1	CORD WRAP KIT	[2]
K2	11279A	1	HANDLE COVER KIT	[3]
K3	11273A	1	HANDLE SUPPORT KIT	[4]
K4	11274A	1	Udløserkit til håndtag	[5]
K5	56381557	1	GEAR HOUSING COVER KIT	[6]
K6	56381558	1	BURNISHER GEAR SET KIT	[7]
K7	56381559	1	GEAR HOUSING AND TUBE KIT	[8]
K8	11286A	1	RELEASE SPRING AND ROD KIT	[9]

Part Notes:

- [1] - STOCK COVERS GUARANTEE
- [2] - Indudes pos. 10,22,23
- [3] - Indudes pos. 4,5,20,21
- [4] - Indudes pos. 2,16,17,18,26,38
- [5] - Indudes pos. 3,6,13,30,32,37,39,42,48,49,50
- [6] - Indudes pos. 7,8,9,35,36,43
- [7] - Indudes pos. 28,29,45,46
- [8] - Indudes pos. 14,25,31,33,41,44,52
- [9] - Indudes pos. 30,37,40,47



Resource notes:

Natural Blend (Tan): Natural hair and synthetic fiber pad designed for best mark removal. For use on harder finishes or in hightraffic areas. Removes marks and scratches while it polishes. UHS (Aqua): A superior soft pad that lightly polishes the floor for a reflective appearance. Natural Blend (White): Natural hair and synthetic fiber pad designed for best gloss. Provides excellent results on a wide variety of floor finishes and traffic conditions.

Pos.	Vare-nr	Antal	Beskrivelse	Notes
	976327	1	PADS CS20 WHTNATRLBLEND CS/5EA	[1]
	976240	1	PADS CS20 AQUA ULTRA HS CS/5EA	[1]
	976352	1	PADS CS20 TANNATRLBLEND CS/5EA	[1]

Part Notes:

[1] - COMPLEXITY REDUCTION

Pos.	Vare-nr	Antal	Beskrivelse	Notes
			FINAL ASSEMBLY	
			Extra-Ordinary Maintenance	
E	40268A	1	CORD POWER	
			BASE SYSTEM	
			Ordinary Maintenance	
O	30886A	1	BUMPER	
O	VF14079	1	VEE BELT 43 INCH	
O	YLQ14401	1	RUNNING CAPACITOR	
O	56925A	1	PAD DRIVERDriver	
O	VF52220	1	DRIVEN SHAFT KIT	
O	VF999849	1	START CAPACITOR 100F/300V	
			Extra-Ordinary Maintenance	
E	56381548	1	DECAL KIT ALTO 551 UH	[1]
E	56381545	1	DECAL KIT NILFISK ALTO SPINTEC 551 UH	
E	56381552	1	UPPER COVER KIT SPINTEC 551 UH	[2]
E	56381553	1	LOWER COVER KIT SPINTEC 551 UH	[2]
E	56381554	1	BURNISHER BALANCE SPRING KIT	
E	11282A	2	Hjul kit	
E	VF52004A	1	DRIVEN PULLEY	
E	VF52009D	1	DRIVING PULLEY	
E	VF52017N	2	WHEEL TRANSPORT	
E	YLQ40000	1	BU500 MOTOR ASM	
			HANDLE ASSEMBLY	
			Ordinary Maintenance	
O	11274A	1	Udløserkit til håndtag	
O	40263A	1	Kontakt	
			Extra-Ordinary Maintenance	
E	11269A	1	CORD WRAP KIT	
E	11273A	1	HANDLE SUPPORT KIT	
E	11279A	1	HANDLE COVER KIT	
E	11286A	1	RELEASE SPRING AND ROD KIT	
E	56381558	1	BURNISHER GEAR SET KIT	
E	56381559	1	GEAR HOUSING AND TUBE KIT	
E	56381557	1	GEAR HOUSING COVER KIT	
E	VF99012	1	CIRCUIT BREAKER 12 AMP	

Part Notes:

- [1] - SEE PI 2017-002
[2] - STOCK COVERS GUARANTEE

