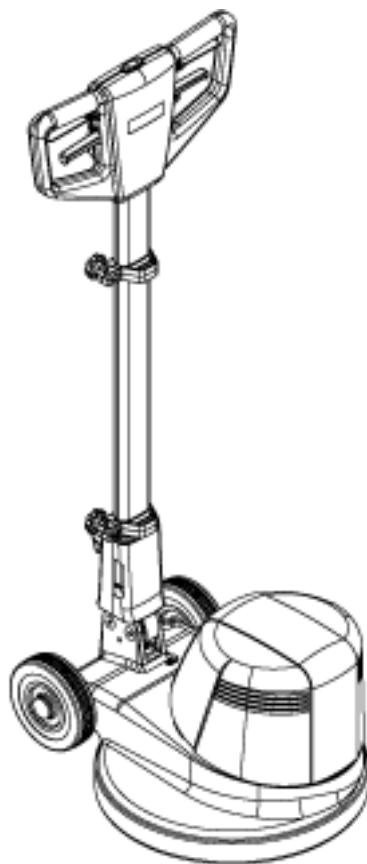


# PARTS LIST

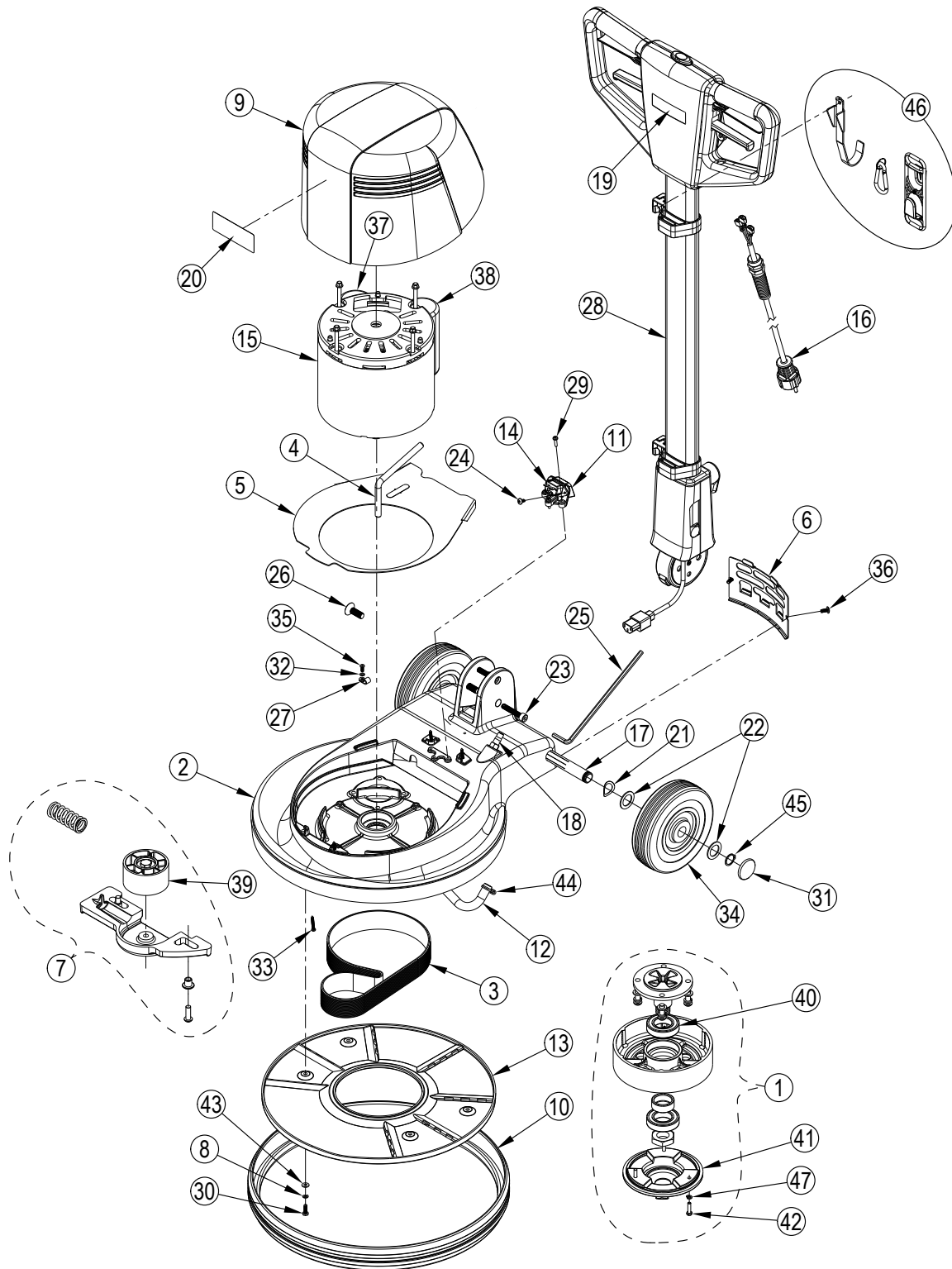


2018.10.03

# TABLE OF CONTENTS

---

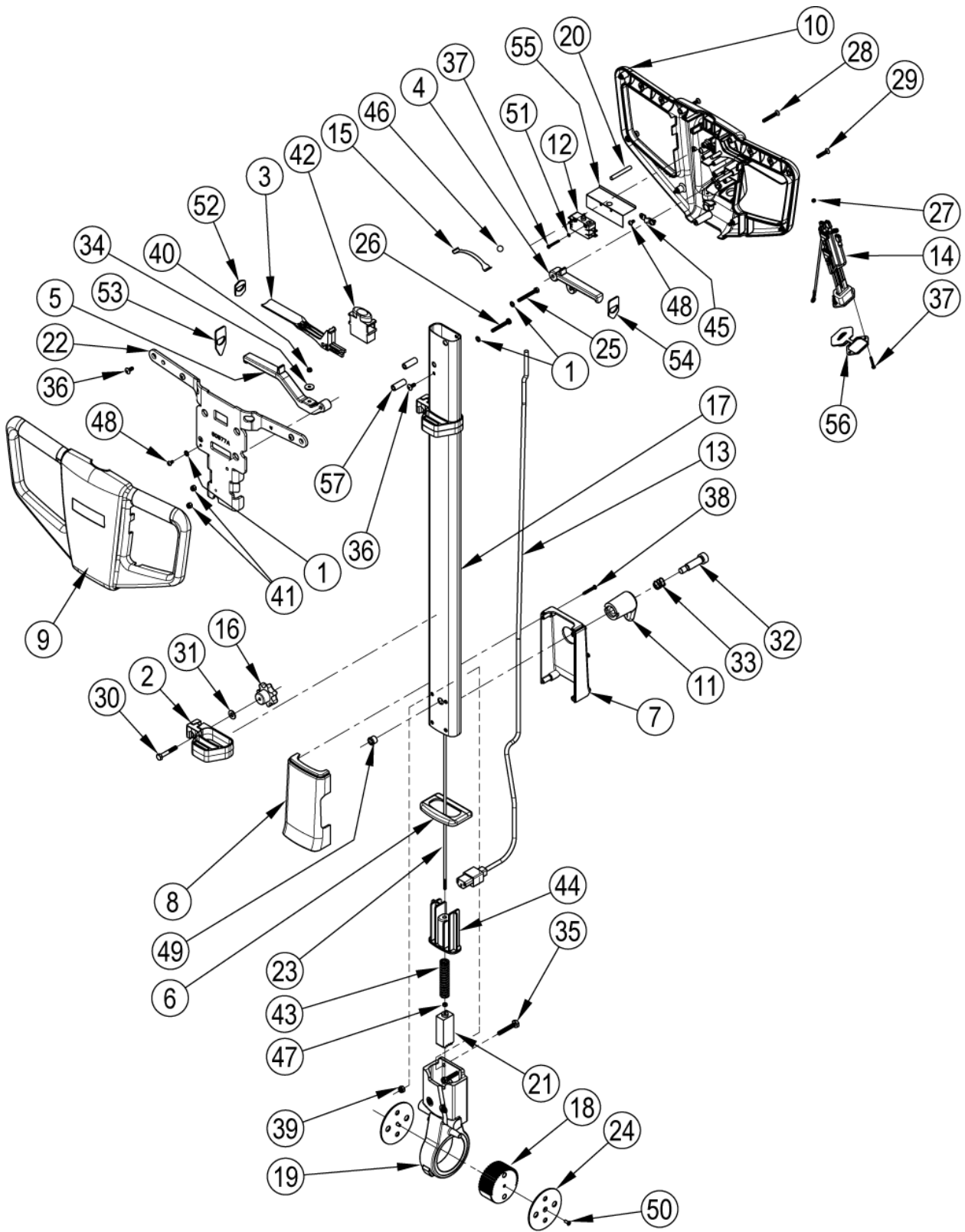
|                                 |    |
|---------------------------------|----|
| Base system FM400L .....        | 1  |
| Handle system .....             | 4  |
| Recommended spare parts .....   | 7  |
| Brush selector guide .....      | 10 |
| Accessories .....               | 12 |
| Solution tank kit 10104A .....  | 14 |
| Foam generator kit 11294A ..... | 16 |
| Spray buff kit 11295A .....     | 18 |



| Pos. | Vare-nr  | Antal | Beskrivelse                              | Notes |
|------|----------|-------|--|-------|
| 1    | 56380089 | 1     | Spindel                                  | [1]   |
| 2    | 56380093 | 1     | MAINFRAME NILFISK FM400                  | [2]   |
| 3    | 56380104 | 1     | BELT POLY V 838 PJ16                     |       |
| 4    |          | 1     | Inlet Tubing                             |       |
| 5    | 56381565 | 1     | COOLING PLATE                            |       |
| 6    | 56381566 | 1     | BACK COVER                               |       |
| 7    | 56381579 | 1     | BELT TENSION ASM                         |       |
| 8    |          | 4     | Washer M5 Helical Lock                   |       |
| 9    |          | 1     | Cover Motor Asm                          | [3]   |
| 10   | 30272A   | 1     | BUMPER                                   |       |
| 11   |          | 1     | Mount Inlet                              |       |
| 12   |          | 1     | Hose Solution                            |       |
| 13   |          | 1     | Cover Bottom                             |       |
| 14   |          | 1     | Inlet IEC 60320 C14                      |       |
| 15   | 56384180 | 1     | MOTOR LOW SPEED                          | [4]   |
| 15   | 53190A   | 1     | START SWITCH                             | [5]   |
| 16   | 40268A   | 1     | CORD POWER                               |       |
| 16   | 40249A   | 1     | CORD POWER UK                            |       |
| 17   | 61956A   | 1     | Aksel                                    |       |
| 18   |          | 1     | Hosebarb Straight                        |       |
| 19   |          | 1     | Label Handle Nilfi sk                    |       |
| 20   |          | 1     | Label Cover Motor FM400                  |       |
| 21   |          | 2     | Washer Bowed 20mm                        | [6]   |
| 22   |          | 4     | Washer Flat 20mm                         | [6]   |
| 23   |          | 2     | Screw M8 - 1 X 45 Socket Recess          |       |
| 24   |          | 2     | Screw St4.2-1.4 X16 Ss Truss Hd Ph       |       |
| 25   |          | 1     | Wrench Allen 6mm                         |       |
| 26   |          | 2     | Screw M10-1.5 X 30 Flat Head             |       |
| 27   |          | 1     | Clamp-1/4 Cable/Tubing                   |       |
| 28   | 56382011 | 1     | NILFISK HANDLE ASM W/CEE 7/7             | [7]   |
| 28   | 56382012 | 1     | NILFISK HANDLE ASM W/BS-1363             | [8]   |
| 29   |          | 3     | Scr, M4.7x16mm Pan Cross Recess Thd Form |       |
| 30   |          | 4     | Screw M5-.8 X 16                         |       |
| 31   | VA96851  | 2     | WHEEL CAP                                | [6]   |
| 32   |          | 1     | Washer External Tooth M4                 |       |
| 33   |          | 4     | Screw St4-1.4 X 30 Pan Head              |       |
| 34   |          | 2     | Wheel 160mm Dia. Gray                    | [6]   |
| 35   |          | 1     | Scr M4 X 10 SS Pan Cross Recess          |       |
| 36   | GT13054  | 2     | SCREW PAN HEAD M5X12                     |       |
| 37   | VF32109  | 1     | RUNNING CAPACITOR 20UF/600V              |       |
| 38   | VF999849 | 1     | START CAPACITOR 100F/300V                |       |
| 39   | 56380090 | 1     | FLAT IDLER ASM                           |       |
| 40   | VF14061  | 1     | BEARING 6006                             |       |
| 41   | 56380099 | 1     | DRIVER                                   |       |
| 42   |          | 3     | Scr-Hex SS M5-0.8 x 20                   |       |
| 43   |          | 4     | Washer M5 X 12                           |       |
| 44   |          | 1     | Hose Clamp 10MM                          |       |
| 45   | VF14004  | 2     | RETAINING RING EXTERNAL f19              |       |
| 46   | 56382010 | 1     | CONVENIENCE KIT                          |       |
| 47   |          | 3     | Washer M5 Helical Lock                   |       |
| K1   | 11282A   | 2     | Hjul kit                                 | [9]   |
| K2   | 11287A   | 1     | DECAL KIT NILFISK                        | [10]  |
| K3   | 56381563 | 1     | NILFISK MOTOR COVER KIT                  | [11]  |
| K5   | 56382001 | 1     | INSTALLATION TOOL AND HARDWARE KIT       | [12]  |
| K6   | 56380089 | 1     | Spindel                                  | [13]  |
| K7   | 11284A   | 1     | SOLUTION FITTINGS KIT                    | [14]  |
| K8   | 11267A   | 1     | BOTTOM COVER KIT                         | [15]  |
| K9   | 11283A   | 1     | INLET KIT                                | [16]  |
| K10  | 56381579 | 1     | BELT TENSION ASM                         | [17]  |

## Part Notes:

- [1] - Contain items 40,41,42,47  
  
TSB-FC-2013-108 foam protection kit for SD  
TSBFC 2013-108 FM Spintec Schaumschutz Satz
  - [2] - NOTE 1: FM400 L  
NOTE 2: FM400 L UK
  - [3] - NOTE 1: FM400 L  
NOTE 2: FM400 L UK
  - [4] - Low Speed Motor 40258A is obsolete and replaced by 56384180. The prior version of the machine is still being used to depletion. A starting serial number will be established when the new version is built.
  - [5] - Only used on 56384180 AND 56384182
  - [6] - K1
  - [7] - (includes #18 / PN 40268A)
  - [8] - (includes #18 / PN 40249A)
  - [9] - POS. 23, 24, 33, 36
  - [10] - POS. 21, 22
  - [11] - POS. 11, 35
  - [12] - POS. 27, 28, 29, 37
  - [13] - POS. 3, 42, 43, 44  
  
See  
TSBFC 2013-108 FM Spintec Schaumschutz Satz
  - [14] - pos. 4, 12, 18, 44
  - [15] - POS. 10, 15, 32
  - [16] - POS. 13, 16, 26, 31
  - [17] - POS. 9, 41
-



| Pos. | Vare-nr | Antal | Beskrivelse                          | Notes |
|------|---------|-------|--------------------------------------|-------|
| 01   |         | 3     | WASHER SH 1210-00                    |       |
| 02   |         | 2     | ACCESSORY CLAMP                      |       |
| 03   |         | 2     | LEVER SWITCH                         |       |
| 04   |         | 1     | LEVER SOLUTION                       |       |
| 05   |         | 1     | LEVER HANDLE ADJUSTMENT              |       |
| 06   |         | 1     | CAP RUBBER                           |       |
| 07   |         | 1     | COVER REAR                           |       |
| 08   |         | 1     | COVER FRONT                          |       |
| 09   |         | 1     | COVER HANDLE FRONT                   |       |
| 10   |         | 1     | COVER HANDLE REAR                    |       |
| 11   |         | 1     | HOOK CORD                            |       |
| 12   | 40263A  | 1     | Kontakt                              |       |
| 13   | 40269A  | 1     | INTERCONNECT CORD                    |       |
| 14   |         | 1     | OUTLET / WIRING ASSEMBLY             |       |
| 15   |         | 1     | SPRING INTERLOCK BUTTON              |       |
| 16   |         | 2     | KNOB CLAMP M6                        |       |
| 17   |         | 1     | TUBE HANDLE                          |       |
| 18   |         | 1     | INDEX GEAR                           |       |
| 19   |         | 1     | HANDLE MOUNT                         |       |
| 20   |         | 4     | PIN HANDLE SUPPORT                   |       |
| 21   |         | 1     | PLUNGER                              |       |
| 22   |         | 1     | HANDLE SUPPORT                       |       |
| 23   |         | 1     | ROD INDEX                            |       |
| 24   |         | 2     | PLATE, GEAR HOUSING                  |       |
| 25   |         | 1     | SCREW M5 X 43 SS HEX HEAD            |       |
| 26   |         | 1     | SCREW M5 X 40 SS PAN HEAD PHILLIPS   |       |
| 27   |         | 2     | NUT HEX M3-0.5 SS                    |       |
| 28   |         | 2     | SCREW M5 X 35 SS FLAT HEAD PHILLIPS  |       |
| 29   |         | 6     | SCREW M5 X 25 SS FLAT HEAD PHILLIPS  |       |
| 30   |         | 2     | SCR M6-1 X40 HEX SS                  |       |
| 31   |         | 2     | WASHER FLAT 6.6X15.8X1.5 SS          |       |
| 32   |         | 1     | SCR SHOULDER 12MM X 35MM, M10-1.5    |       |
| 33   |         | 1     | SPRING 15 MM X 15 MM LONG            |       |
| 34   |         | 1     | WASHER M4 X16                        |       |
| 35   |         | 4     | SCREW M6 X 40 SS HEX HEAD            |       |
| 36   |         | 5     | SCREW M5 X 12 SS TRUSS HEAD PHILLIPS |       |
| 37   |         | 4     | SCREW M3 X 25 SS PAN HEAD PHILLIPS   |       |
| 38   |         | 4     | SCREW ST4-1.4 X 30 PAN HEAD1         |       |
| 39   |         | 4     | NUT M6 SS NYLON INSERT               |       |
| 40   |         | 1     | NUT M4 SS NYLON INSERT               |       |
| 41   |         | 2     | NUT M5 SS NYLON INSERT               |       |
| 42   |         | 1     | BUTTON INTERLOCK                     |       |
| 43   |         | 1     | SPRING COMPRESSION                   |       |
| 44   |         | 1     | HOUSING SPRING BLACK                 |       |
| 45   |         | 1     | CLAMP CORD                           |       |
| 46   |         | 1     | BALL INTERLOCK 10MM                  |       |
| 47   |         | 1     | NUT M4 SS JAM                        |       |
| 48   |         | 4     | SCREW, M4 X 8 SS PAN HEAD PHILLIPS   |       |
| 49   |         | 1     | BUSHING-OPEN/CLOSED .50              |       |
| 50   |         | 2     | SCR M4-.7 X 10MM FLT PHILLIPS        |       |
| 51   |         | 2     | WASHER M3 EXTERNAL TOOTH             |       |
| 52   |         | 2     | SWITCH LEVER SEAL                    |       |
| 53   |         | 1     | RELEASE LEVER SEAL                   |       |
| 54   |         | 1     | ACCESSORY LEVER SEAL                 |       |
| 55   |         | 1     | SWITCH DRIP GUARD                    |       |
| 56   | VF73708 | 1     | WATERPROOF CAP                       |       |
| 57   |         | 2     | SUPPORT HANDLE TUBE                  |       |
| K1   | 11269A  | 1     | CORD WRAP KIT                        | [1]   |
| K2   | 11280A  | 1     | HANDLE COVER KIT                     | [2]   |

| Pos. | Vare-nr  | Antal | Beskrivelse                        | Notes |
|------|----------|-------|------------------------------------|-------|
| K3   | 11273A   | 1     | HANDLE SUPPORT KIT                 | [3]   |
| K4   | 11274A   | 1     | Udløserkit til håndtag             | [4]   |
| K5   | 11286A   | 1     | RELEASE SPRING AND ROD KIT         | [5]   |
| K6   | 56381560 | 1     | POLISHER GEAR SET KIT              | [6]   |
| K7   | 56381561 | 1     | POLISHER GEAR HOUSING AND TUBE KIT | [7]   |
| K8   | 11270A   | 1     | OUTLET KIT                         | [8]   |
| K9   | 11268A   | 2     | MOUNT ACCESSORY KIT                | [9]   |
| K10  | 11271A   | 1     | REAR AND FRONT COVER KIT           | [10]  |

## Part Notes:

- [1] - POS. 11, 12, 13, 32, 33
- [2] - POS. 9, 10, 28, 29
- [3] - POS. 1, 22, 25, 26, 36, 41
- [4] - POS. 3, 4, 5, 15, 20, 34, 37, 40, 42, 45, 46, 48, 51, 52, 53, 54, 55
- [5] - POS. 23, 34, 40, 43, 47
- [6] - POS. 18, 21, 24, 50
- [7] - POS. 17, 19, 35, 39, 44
- [8] - POS. 14, 27, 37
- [9] - POS. 2, 16, 30, 31
- [10] - POS. 6, 7, 8, 38, 49



**No  
Diagram  
Available**

**Parts List  
Only**

| Pos. | Vare-nr  | Antal | Beskrivelse                        | Notes |
|------|----------|-------|------------------------------------|-------|
|      |          |       | FINAL ASSEMBLY                     |       |
|      |          |       | Extra-Ordinary Maintenance         |       |
|      | 40268A   | 1     | CORD POWER                         |       |
|      | 40249A   | 1     | CORD POWER UK                      |       |
|      | 56382010 | 1     | CONVENIENCE KIT                    |       |
|      | 56382011 | 1     | NILFISK HANDLE ASM W/CEE 7/7       | [1]   |
|      | 56382012 | 1     | NILFISK HANDLE ASM W/BS-1363       | [2]   |
|      |          |       | BASE SYSTEM                        |       |
|      |          |       | Ordinary Maintenance               |       |
|      | 56380090 | 1     | FLAT IDLER ASM                     |       |
|      | 56380099 | 1     | DRIVER                             |       |
|      | 56380104 | 1     | BELT POLY V 838 PJ16               |       |
|      | 30272A   | 1     | BUMPER                             |       |
|      | 56168786 | 1     | CIRCUIT BREAKER 13A                | [3]   |
|      | 56384044 | 1     | ROTARY SWITCH                      |       |
|      | 56384432 | 1     | CIRCUIT BREAKER BOOT               |       |
|      | 47378A   | 1     | Kontakt Kit                        |       |
|      | VF14061  | 2     | BEARING 6006                       |       |
|      | VF32109  | 1     | RUNNING CAPACITOR 20UF/600V        | [4]   |
|      | VF999848 | 1     | RUN CAPACITOR 23F/500V             | [5]   |
|      | VF999849 | 1     | START CAPACITOR 100F/300V          | [4]   |
|      | GT17004  | 1     | CAPACITOR                          | [6]   |
|      | GT17003  | 1     | CAPACITOR                          | [7]   |
|      |          |       | Extra-Ordinary Maintenance         |       |
|      | 56380089 | 1     | Spindel                            | [8]   |
|      | 56380093 | 1     | MAINFRAME NILFISK FM400            | [9]   |
|      | 56380094 | 1     | MAINFRAME NILFISK FM400 D          | [10]  |
|      | 56381562 | 1     | SADDLE START SWITCH                |       |
|      | 56381566 | 1     | BACK COVER                         |       |
|      | 56381565 | 1     | COOLING PLATE                      |       |
|      | 56381579 | 1     | BELT TENSION ASM                   |       |
|      | 11287A   | 1     | DECAL KIT NILFISK                  |       |
|      | 56381563 | 1     | NILFISK MOTOR COVER KIT            |       |
|      | 56384153 | 1     | COVER HIGH SPEED NILFISK KIT       |       |
|      | 56384047 | 1     | COVER -DUAL SPEED NILFISK KIT      |       |
|      | 11267A   | 1     | BOTTOM COVER KIT                   |       |
|      | 11282A   | 2     | Hjul kit                           |       |
|      | 11283A   | 1     | INLET KIT                          |       |
|      | 11284A   | 1     | SOLUTION FITTINGS KIT              |       |
|      | 56384180 | 1     | MOTOR LOW SPEED                    |       |
|      | 56384181 | 1     | MOTOR DUAL SPEED                   |       |
|      | 56384182 | 1     | MOTOR HIGH SPEED                   |       |
|      | 61956A   | 1     | Aksel                              |       |
|      | 53190A   | 1     | START SWITCH                       | [11]  |
|      |          |       | HANDLE ASSEMBLY                    |       |
|      |          |       | Ordinary Maintenance               |       |
|      | 11268A   | 2     | MOUNT ACCESSORY KIT                |       |
|      | 11274A   | 1     | Udløserkit til håndtag             |       |
|      | 40263A   | 1     | Kontakt                            |       |
|      |          |       | Extra-Ordinary Maintenance         |       |
|      | 56381560 | 1     | POLISHER GEAR SET KIT              |       |
|      | 56381561 | 1     | POLISHER GEAR HOUSING AND TUBE KIT |       |
|      | 11269A   | 1     | CORD WRAP KIT                      |       |
|      | 11270A   | 1     | OUTLET KIT                         |       |
|      | 11271A   | 1     | REAR AND FRONT COVER KIT           |       |
|      | 11273A   | 1     | HANDLE SUPPORT KIT                 |       |
|      | 11280A   | 1     | HANDLE COVER KIT                   |       |
|      | 11286A   | 1     | RELEASE SPRING AND ROD KIT         |       |
|      | 40269A   | 1     | INTERCONNECT CORD                  |       |

---

| Pos. | Vare-nr | Antal | Beskrivelse    | Notes |
|------|---------|-------|----------------|-------|
|      | VF73708 | 1     | WATERPROOF CAP |       |

## Part Notes:

- [1] - includes PN 40268A
- [2] - includes PN 40249A
- [3] - GUARANTEE DATE EXPIRED
- [4] - FM400 L, FM400 L UK
- [5] - FM400 H, FM400 H UK, FM400 D, FM400 D UK
- [6] - FM400 D, FM400 D UK
- [7] - FM400 H, FM400 H UK
- [8] - TSBFC 2013-108 FM Spintec Schaumschutz Satz  
TSB-FC-2013-108 foam protection kit for SD
- [9] - FM400
- [10] - FM400 D
- [11] - Only used on 56384180 AND 56384182. Revised or new since last update

**BRUSH SELECTOR GUIDE**

| 17" (430 mm) Brush Selection Chart (RECOMMENDED) |                           |   |           |
|--|---------------------------|---|-----------|
| Part No.   | Description               | Filament                                  | Trim      |
| 11296A   | Polishing                 | Union Mix (50% PALMYRA 50% White Tampico) | Straight  |
| 11297A   | Carpet                    | Ø .30mm PA 66 Natural                     | Straight  |
| 11298A   | Light-Medium Cleaning     | Ø .35mm PP Grey                           | Straight  |
| 11299A   | Medium-Heavy Cleaning     | Ø .50mm PP Black                          | Straight  |
| 11310A   | Heavy Cleaning/ Stripping | 50/80/30 Silicon Carbide                  | Irregular |

| Description                    | P/N      | 56380056 FM400 L | 56380057 FM400 L UK | 56380058 FM400 H | 56380060 FM400 H UK | 56380061 FM400 D | 56380062 FM400 D UK |
|--------------------------------|----------|------------------|---------------------|------------------|---------------------|------------------|---------------------|
| Polishing Brush                | 11296A   |                  |                     | X                | X                   | X                | X                   |
| Carpet Brush                   | 11297A   | X                | X                   |                  |                     |                  |                     |
| Light-Medium Cleaning Brush    | 11298A   | X                | X                   |                  |                     | X                | X                   |
| Medium Cleaning Brush          | 11299A   | X                | X                   |                  |                     | X                | X                   |
| Heavy Cleaning/Stripping Brush | 11310A   | X                | X                   |                  |                     | X                | X                   |
| Brush-Shampoo Commercial Crpt  | 56383868 | X                | X                   |                  |                     |                  |                     |
| Pad Driver-Low Speed-430 MM    | 11315A   | X                | X                   |                  |                     | X                | X                   |
| Pad Driver-High Speed-Flex     | 11316A   |                  |                     | X                | X                   | X                | X                   |
| Pad Driver-High SP-Flex-Foam   | 56381578 |                  |                     | X                | X                   | X                | X                   |
| BLACK 406mm PAD 5 PK           |          | X                | X                   |                  |                     | X                | X                   |
| BROWN 406mm PAD 5 PK           |          | X                | X                   |                  |                     | X                | X                   |
| GREEN 406mm PAD 5 PK           |          | X                | X                   |                  |                     | X                | X                   |
| BLUE 406mm PAD 5 PK            |          | X                | X                   |                  |                     | X                | X                   |
| RED 406mm PAD 5 PK             |          | X                | X                   | X                | X                   | X                | X                   |
| WHITE 406mm PAD 5 PK           |          | X                | X                   | X                | X                   | X                | X                   |

- Black** – Stripping – For long lasting, heavy duty stripping.
- Brown** – Stripping – For fast, uniform stripping, wet or dry.
- Green** – Scrubbing – For wet, heavy duty scrubbing.
- Blue** – Scrubbing – For wet, medium duty scrubbing.
- Red** – Buf ng – For dry buf ng, spray buf ng or light duty scrubbing.
- White** – Polishing – For dry polishing or with ne water mist to ensure high gloss.

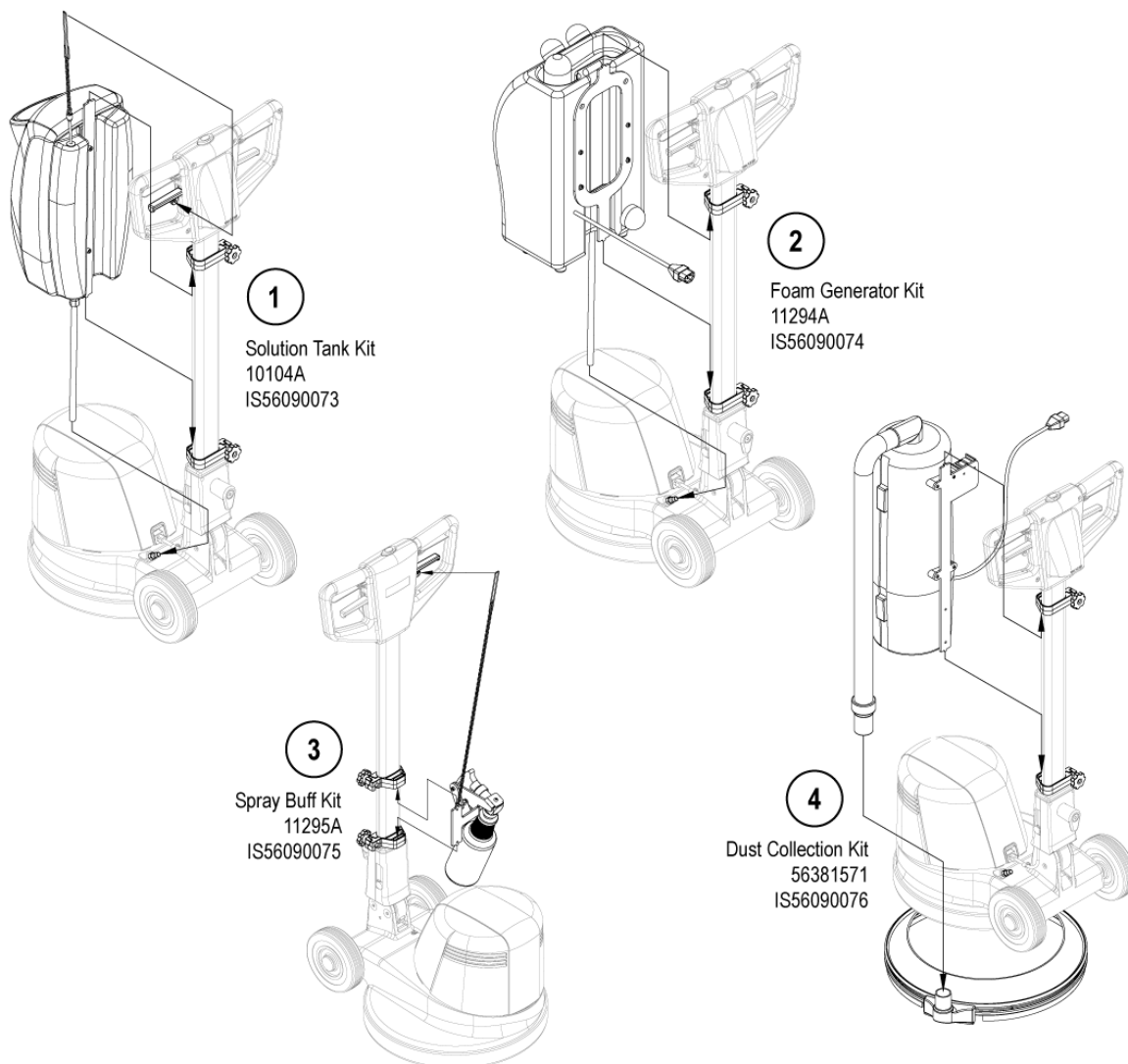
---

| Pos. | Vare-nr  | Antal | Beskrivelse                  | Notes |
|------|----------|-------|------------------------------|-------|
| 01   | 11296A   | 1     | Børste til polering          |       |
| 02   | 56383868 | 1     | Børste, shamponering Ø430 mm |       |
| 03   | 11298A   | 1     | Børste til let rengøring     |       |
| 04   | 11299A   | 1     | Børste til medium rengøring  |       |
| 05   | 11310A   | 1     | Børste til kraftig rengøring |       |
| 10   | 11315A   | 1     | Rondelholder lav hastighed   |       |
| 11   | 11316A   | 1     | Rondelholder, standard       |       |
| 12   | 56381578 | 1     | Flexi rondelholder med skum  |       |

| Description              | P/N      | 56380056<br>FM400 L | 56380057<br>FM400 L<br>UK | 56380058<br>FM400 H | 56380060<br>FM400 H<br>UK | 56380061<br>FM400 D | 56380062<br>FM400 D<br>UK |
|--------------------------|----------|---------------------|---------------------------|---------------------|---------------------------|---------------------|---------------------------|
| Literature Pack          | 56044439 | X                   | X                         | X                   | X                         | X                   | X                         |
| (1) Solution Tank Kit*   | 10104A   | X                   | X                         |                     |                           | X                   | X                         |
| (2) Foam Generator Kit*  | 11294A   | X                   | X                         |                     |                           |                     |                           |
| (3) Spray Buff Kit*      | 11295A   | X                   | X                         | X                   | X                         | X                   | X                         |
| (4) Dust Collection Kit* | 56381571 |                     |                           | X                   | X                         | X                   | X                         |

\* = Optional, Not Included

NOTE = Replacement parts for the kits listed above (1-4) can be found on each kit's associated instruction sheet.

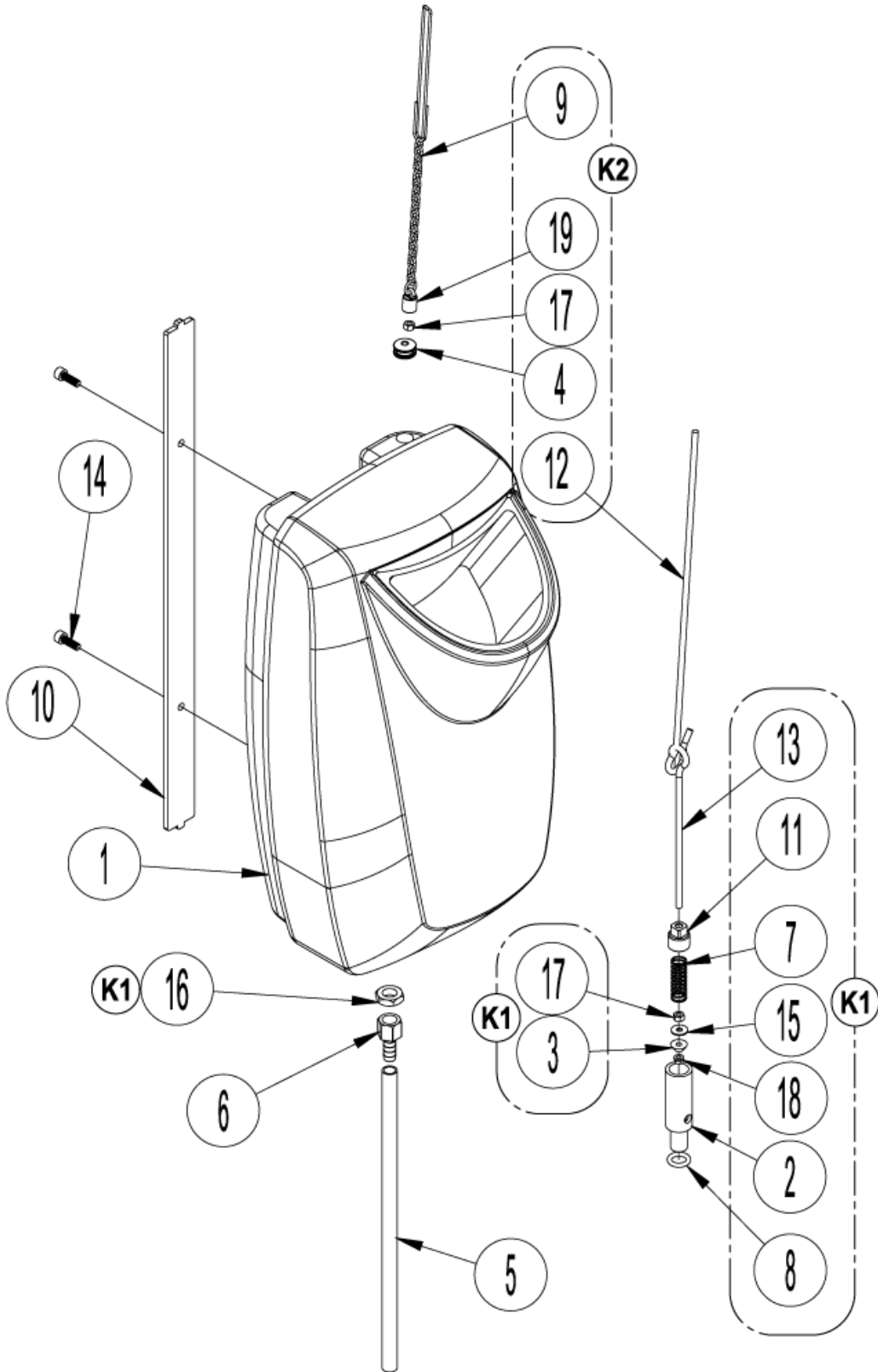


---

| Pos. | Vare-nr  | Antal | Beskrivelse                | Notes |
|------|----------|-------|----------------------------|-------|
| 1    | 10104A   | 1     | Rentvandstank              | [1]   |
| 2    | 11294A   | 1     | Skum-generator             | [2]   |
| 3    | 11295A   | 1     | Spraysystem                |       |
| 4    | 56381571 | 1     | Støvsuger og sideskørt kit | [3]   |

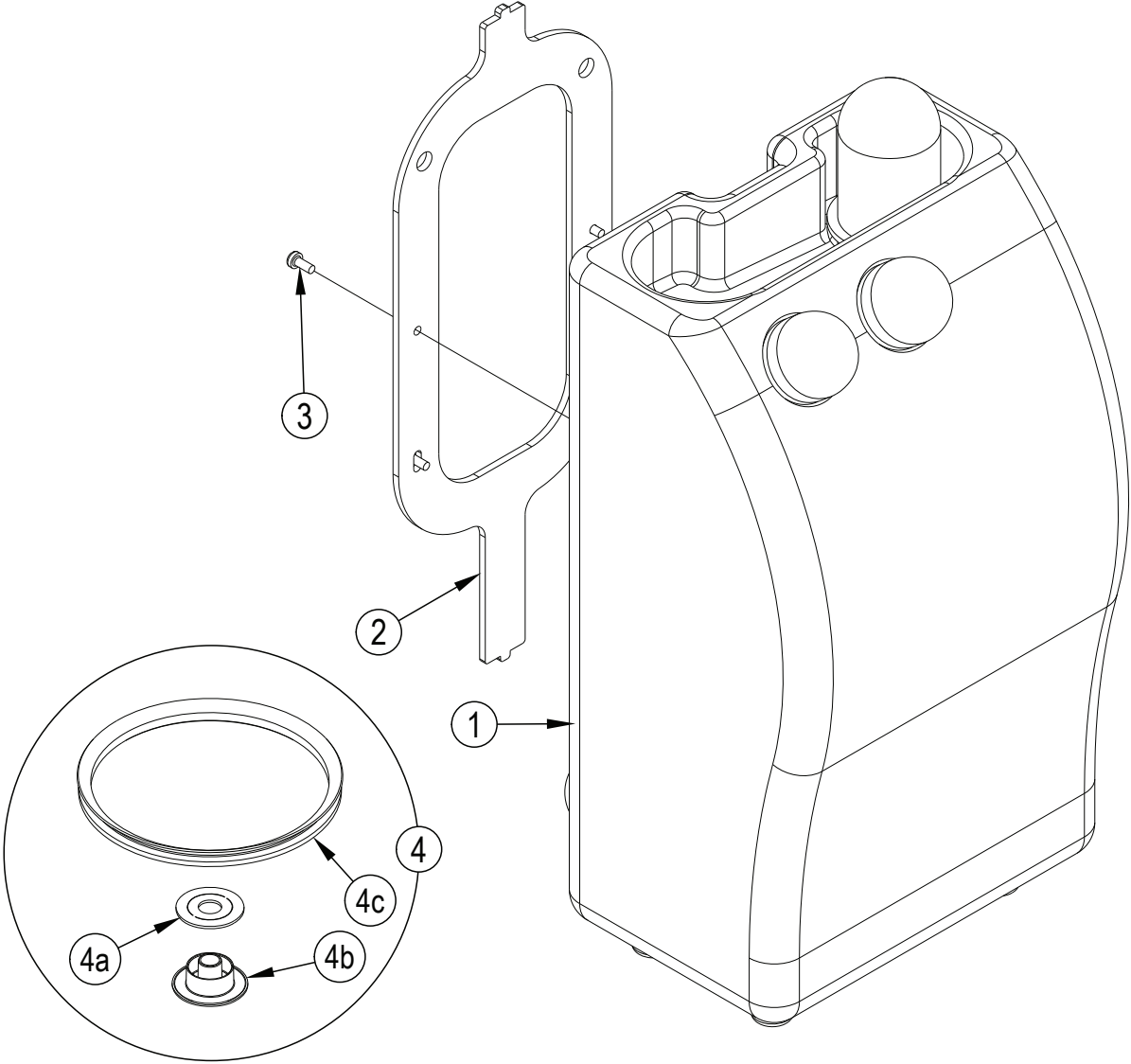
## Part Notes:

- [1] - Not for FM400 H
- [2] - Not for FM400H and FM400 D
- [3] - BOM COMPONENT OBSOLETE  
Not FM400 L





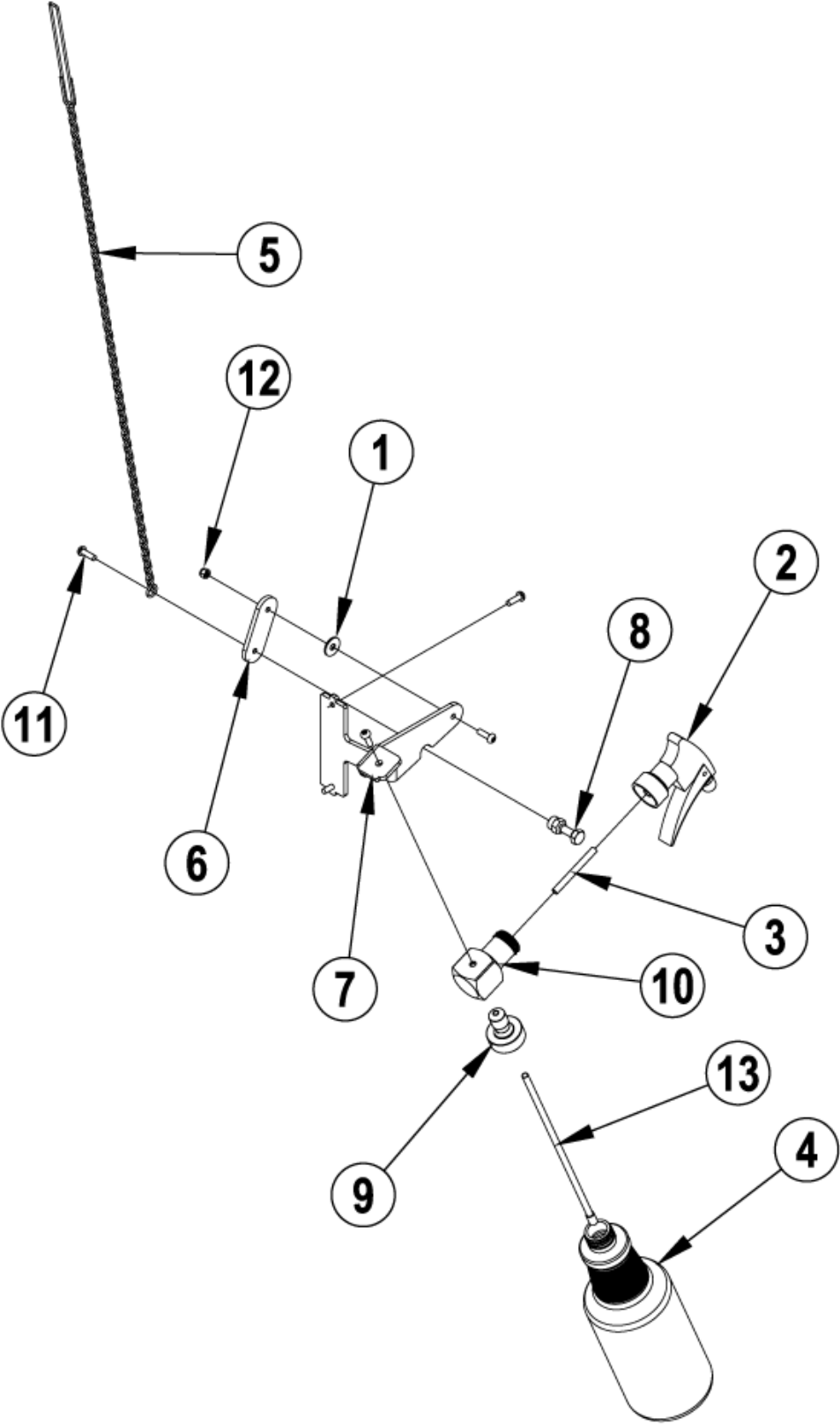
| Pos. | Vare-nr | Antal | Beskrivelse                      | Notes |
|------|---------|-------|----------------------------------|-------|
| 00   | 10104A  | 1     | Rentvandstank                    |       |
| 01   | 30249A  | 1     | TANK SOLUTION                    |       |
| 02   |         | 1     | BODY VALVE PLASTIC               |       |
| 03   | VF40134 | 1     | SEAL RUBBER                      |       |
| 04   |         | 1     | SEAL                             |       |
| 05   | 30869A  | 1     | TUBING VINYL                     |       |
| 06   | 51297A  | 1     | x                                |       |
| 07   |         | 1     | SPRING COMPRESSION S.S.          |       |
| 08   |         | 1     | O-RING                           |       |
| 09   |         | 1     | CHAIN ASM                        |       |
| 10   | 60023A  | 1     | BRACKET MOUNTING SOLUTION TANK   |       |
| 11   |         | 1     | BONNET M18X1.5 NYLON             |       |
| 12   |         | 1     | ROD UPPER PULLING BRASS          |       |
| 13   |         | 1     | ROD LOWER PULLING BRASS          |       |
| 14   | VF13498 | 2     | SCREW M6X20                      |       |
| 15   |         | 1     | WASHER, PLAIN 5MM BRASS          |       |
| 16   |         | 1     | NUT HEX M14X1.5 BRASS            |       |
| 17   |         | 2     | NUT HEX M5X0.8 BRASS             |       |
| 18   |         | 1     | NUT HEX FLANGED M5X0.8 BRASS     |       |
| 19   |         | 1     | NUT EYE M5                       |       |
| K1   | 11278A  | 1     | SOLUTION VALVE ASSEMBLY          |       |
| K2   | 11277A  | 1     | SOLUTION TANK UPPER HARDWARE KIT |       |



---

| Pos. | Vare-nr    | Antal | Beskrivelse                             | Notes |
|------|------------|-------|---|-------|
| 0    | 11294A     | 1     | Skum-generator                          |       |
| 1    |            | 1     | Foam generator                          |       |
| 2    | 60459A     | 1     | BRACKET FOAM GENERATOR MOUNTING         |       |
| 3    |            | 4     | Scr M5- .8 X 16 Fil Cross Rec           |       |
| 4    | 56382020   | 1     | FM400 L SEAL KIT FOR CARPET APPLICATION |       |
| SP   | VF464041   | 1     | KIT TANK KNOB INTAKE                    |       |
| SP   | VF14227    | 1     | O-RING                                  |       |
| SP   | VF46422-6  | 1     | MICRO SWITCH                            |       |
| SP   | VF46454    | 1     | FILTER INTAKE TANK                      |       |
| SP   | VF46435    | 1     | FILTER OUTLET TANK                      |       |
| SP   | YQ12000    | 1     | PUMP                                    |       |
| SP   | VF46468    | 1     | FAN                                     |       |
| SP   | VF46422-8A | 1     | VALVE BODY                              |       |

---



| Pos. | Vare-nr  | Antal | Beskrivelse                   | Notes |
|------|----------|-------|-------------------------------|-------|
| 00   | 11295A   | 1     | Spraysystem                   |       |
| 01   |          | 1     | Washerfl t.750x.250x.062Nylon | [1]   |
| 02   |          | 1     | Spray Buff Pump               | [2]   |
| 03   |          | 1     | Tube                          | [3]   |
| 04   |          | 1     | Bottle Plastic Quart Carafe   | [4]   |
| 05   |          | 1     | Chain Asm                     | [5]   |
| 06   |          | 1     | Link Spray Buff               | [6]   |
| 07   |          | 1     | Bracket Spray Buff            | [7]   |
| 08   |          | 1     | Actuator                      | [8]   |
| 09   |          | 1     | Mount                         | [9]   |
| 10   |          | 1     | Adaptor                       | [10]  |
| 11   | VA13474  | 5     | SCREW M5 X 16                 |       |
| 12   |          | 1     | Nut M5 Ss Nylon Insert        | [11]  |
| 13   |          | 1     | Tube Dip                      | [12]  |
| K1   | 56382005 | 1     | SPRAY BUFF REPAIR KIT         | [13]  |

## Part Notes:

- [1] - Washerfl t.750x.250x.062Nylon
- [2] - Spray Buff Pump
- [3] - Tube
- [4] - Bottle Plastic Quart Carafe
- [5] - Chain Asm
- [6] - Link Spray Buff
- [7] - Bracket Spray Buff
- [8] - Actuator
- [9] - Mount
- [10] - Adaptor
- [11] - Nut M5 Ss Nylon Insert
- [12] - Tube Dip
- [13] - Includes pos. 2,3,4,5,8,11,13

