

PARTS LIST

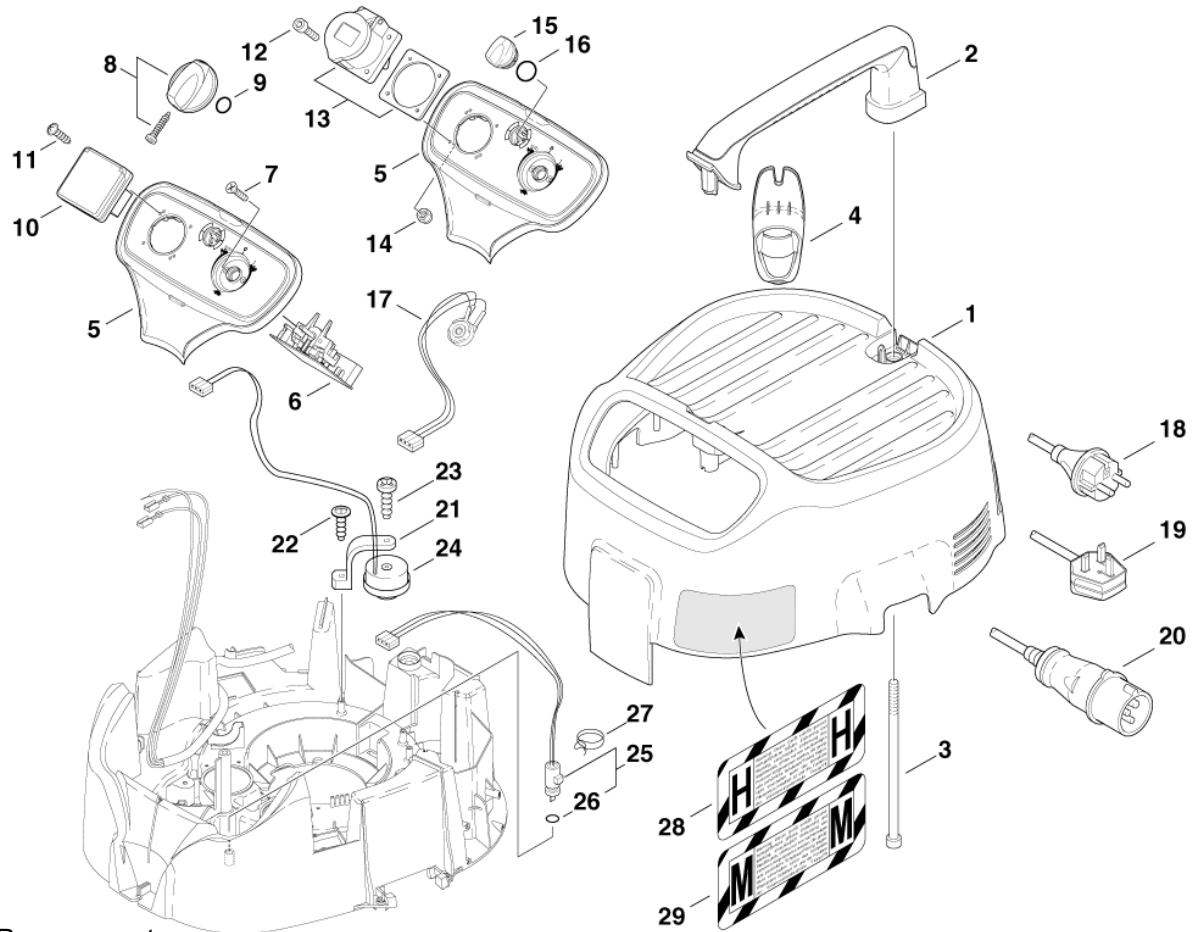


2018.02.01

TABLE OF CONTENTS

Cabinet 550-2M, 751-2M	1
Cabinet, switch box 560-2M, 761-2M	3
Motor and filter 550-0M, 550-2M, 751-2M	5
Base, motor 560-2M, 761-2M	7
Filter, cleaning system 560-2M, 761-2M	9
Container 550	11
Container 560	13
Container 751	15
Container 761	17
Frame 751	19
Frame 761	21
Accessories (H/M) 550, 751	23
Accessories (H/M) 560, 761, 763	25

ATTIX 550-2M, 550-2H, 751-2M



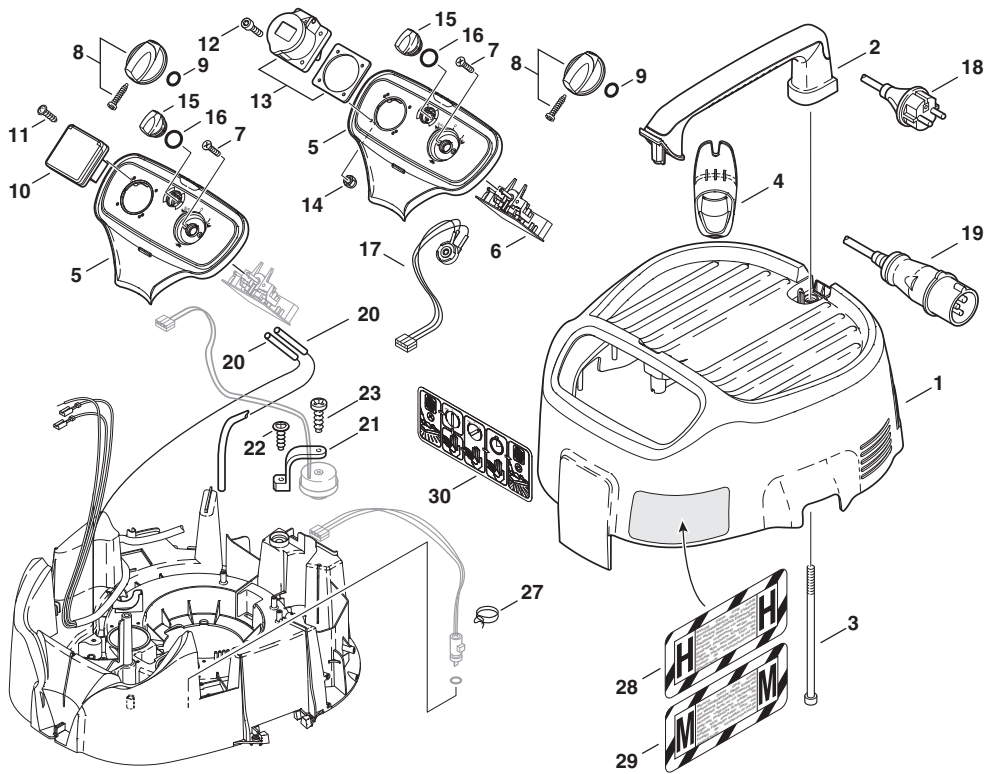
Resource notes:

* NOTE: 550-2M*EU*, 550-2H*EU*, 550-2M*GB,230V*, 751-2M*EU*


Pos.	Vare-nr	Antal	Beskrivelse	Notes
1	107402652	1	Kabinet (Top)	
2	107402650	1	Løftehåndtag	
3	909100084	2	Skruer M6	
4	302000380	1	Kabelholder	
5	302001161	1	Switch Box Attix	[1]
6	302000630	1	Electronic Flow	[2]
6	302000629	1	ELECTRONIC FLOW MEASUREME	[3]
7	18274	2	Skruer M4X12	
8	909100204	1	Drejeknap	
9	9868	1	O-ring 10.0X2.5	
10	302004336	1	SOCKET 13A/250V GB	[4]
10	302004034	1	Stikdåse 16A/250V Eu	[5]
11	11256	2	Skruer Ka3,5X18	
12	50598	4	SCREW M5X20	[3]
13	107402842	1	OUTLET 2P AND PE 16A 110V	[3]
14	7417	4	HEXAGON THIN NUT	[3]
15	107400575	1	TURNING KNOB FOR POTI - BLACK	
16	107400576	1	O-RING 21X1.5	
17	302000429	1	Electronic Potentiometer	
18	107402641	1	Power Cord H05Rr-F 3G1.5X 8X2	[5]
19	107400270	1	CORD H05RR-F 3G1.5 BS1 363 GB	[4]
20	302000760	1	POWER CORD H07BQ-F3G1.5X	[3]
21	25871	1	BRACKET	
22	11254	1	SCREW 3.5X10 WN1411	
23	14418	1	SCREW 4.2X13 ISO 7049	
24	107400579	1	Piezo Buzzer	
25	302000428	1	Electronic Flowsens 9X6Mm	
26	55416	1	O-RING 4.0x1.5 NBR70	
27	107400578	1	HOSE CLAMP D10	
28	302001284	1	LABEL WARNING H	[6]
29	302001285	1	LABEL WARNING M	[7]

Part Notes:

- [1] - 550-2M, 550-2H, 751-2M
- [2] - * SEE NOTE
- [3] - 550-2M*GB,110V*
- [4] - 550-2M*GB,230V*
- [5] - 550-2M*EU*, 550-2H*EU*, 751-2M*EU*
- [6] - 550-2H
- [7] - 550-2M, 751-2M

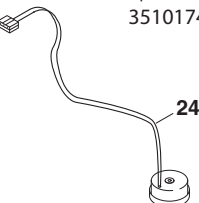


Up to serial number:
3510174801314



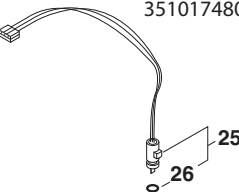
6

Up to serial number:
3510174801314



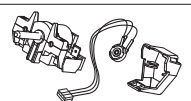
24

Up to serial number:
3510174801314

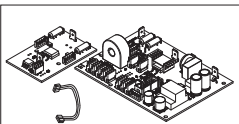


25

From serial number:
3510174801314




6A



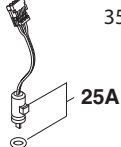
6B

From serial number:
3510174801314



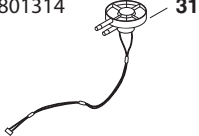
24A

From serial number:
3510174801314




25A

From serial number:
3510174801314



31

From serial number:
3510174801314

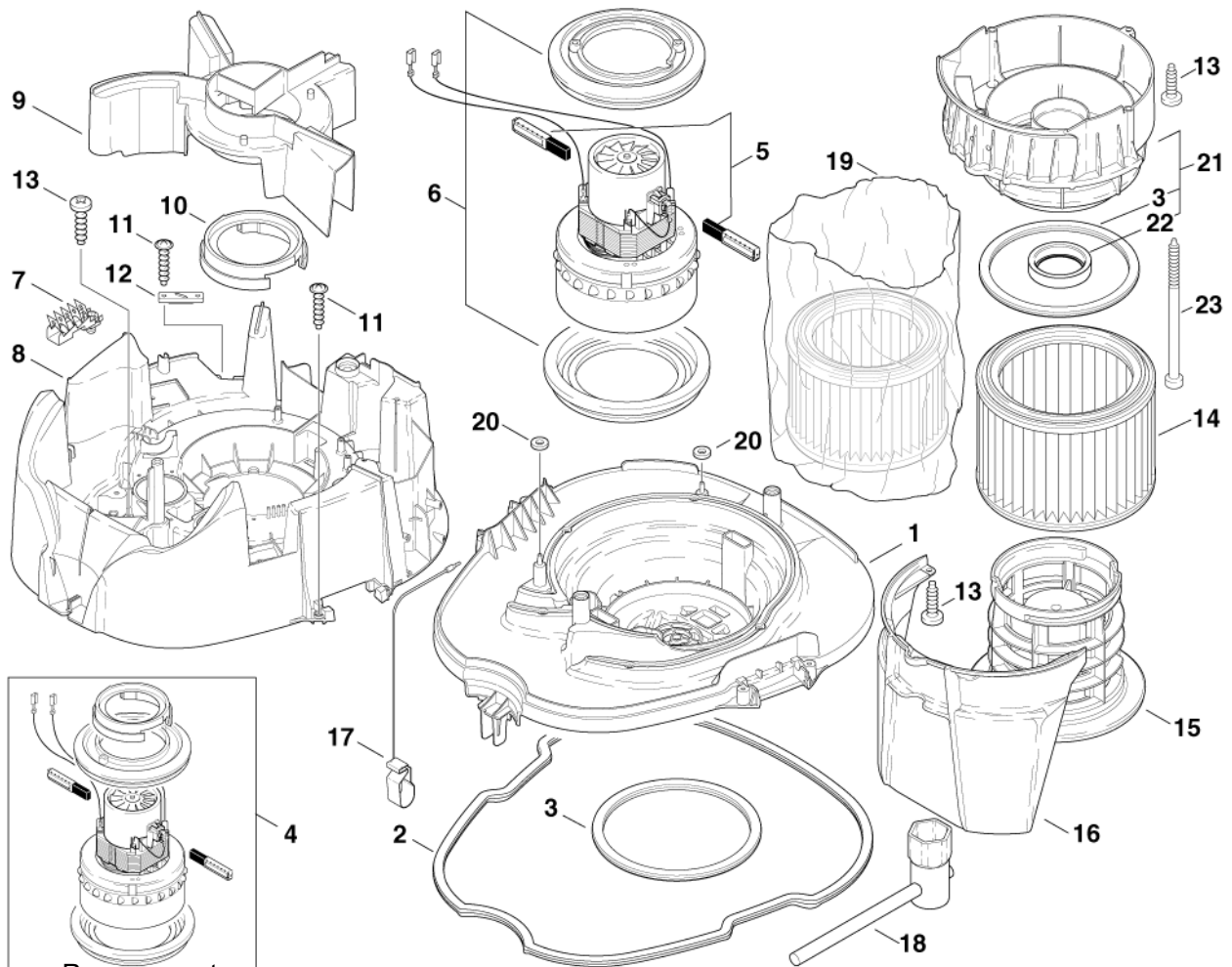


32

Pos.	Vare-nr	Antal	Beskrivelse	Notes
1	107402652	1	Kabinet (Top)	
2	107402650	1	Løftehåndtag	
3	909100084	2	Skrue M6	
4	302000380	1	Kabelholder	
5	302001161	1	Switch Box Attix	
6	302001427	1	Electronic Flow Measureme Nt Xc 220-240	[1]
6	302001426	1	ELECTRONIC FLOW MEASUREMENT XC 110-120V	[2]
6A	107413449	1	ROTARY SWITCH 3 POS+REG 16A KIT	[3]
6B	107416954	1	PCBA AUTO CLEAN MH 1M-2S KIT1 220-240V	[3]
7	18274	2	Skrue M4X12	
8	909100204	1	Drejeknap	
9	9868	1	O-ring 10.0X2.5	
10	302004034	1	Stikdåse 16A/250V Eu	[4]
11	11256	2	Skrue Ka3,5X18	
12	50598	4	SCREW M5X20	[5]
13	107402842	1	OUTLET 2P AND PE 16A 110V	[5]
14	7417	4	HEXAGON THIN NUT	[5]
15	107400575	1	TURNING KNOB FOR POTI - BLACK	
16	107400576	1	O-RING 21X1.5	
17	302000429	1	Electronic Potentiometer	
18	107402641	1	Power Cord H05Rr-F 3G1.5X 8X2	[4]
18	107402642	1	Elkabel, DK	[6]
19	302000760	1	POWER CORD H07BQ-F3G1.5X	[7]
20	107411687	1	SILIKON HOSE D3X1,5 2METER - KIT	
21	25871	1	BRACKET	
22	11254	1	SCREW 3.5X10 WN1411	
23	14418	1	SCREW 4.2X13 ISO 7049	
24	107400579	1	Piezo Buzzer	[8]
24A	107416958	1	BUZZER KIT1	[3]
25	302000428	1	Electronic Flowsens 9X6Mm	[8]
25A	107416955	1	FLOW SENSOR KIT1	[3]
26	55416	1	O-RING 4.0x1.5 NBR70	
27	107400578	1	HOSE CLAMP D10	
28	302001284	1	LABEL WARNING H	[9]
29	302001285	1	LABEL WARNING M	[10]
30	302000824	1	Label	
30	1801075	1	Tætningsskive 3/8"	
31	107416929	1	PRESSURE SENSOR LEVEL CONTROL KIT	[3]
32	107416945	1	WIRE/CAPACITOR KIT3	[3]

Part Notes:

- [1] - 560-2MXC*EU*, 761-2MXC*EU*, 763 2M ED
Up to serial number 3510174801314
- [2] - 560-2HXC *GB,110V*
- [3] - From serial number 3510174801314
- [4] - *EU*
- [5] - 560-2HXC*GB,110V*
- [6] - DK
- [7] - *GB,110V*
- [8] - Up to serial number 3510174801314
- [9] - 560-2HXC
- [10] - 560-2MXC, 761-2MXC

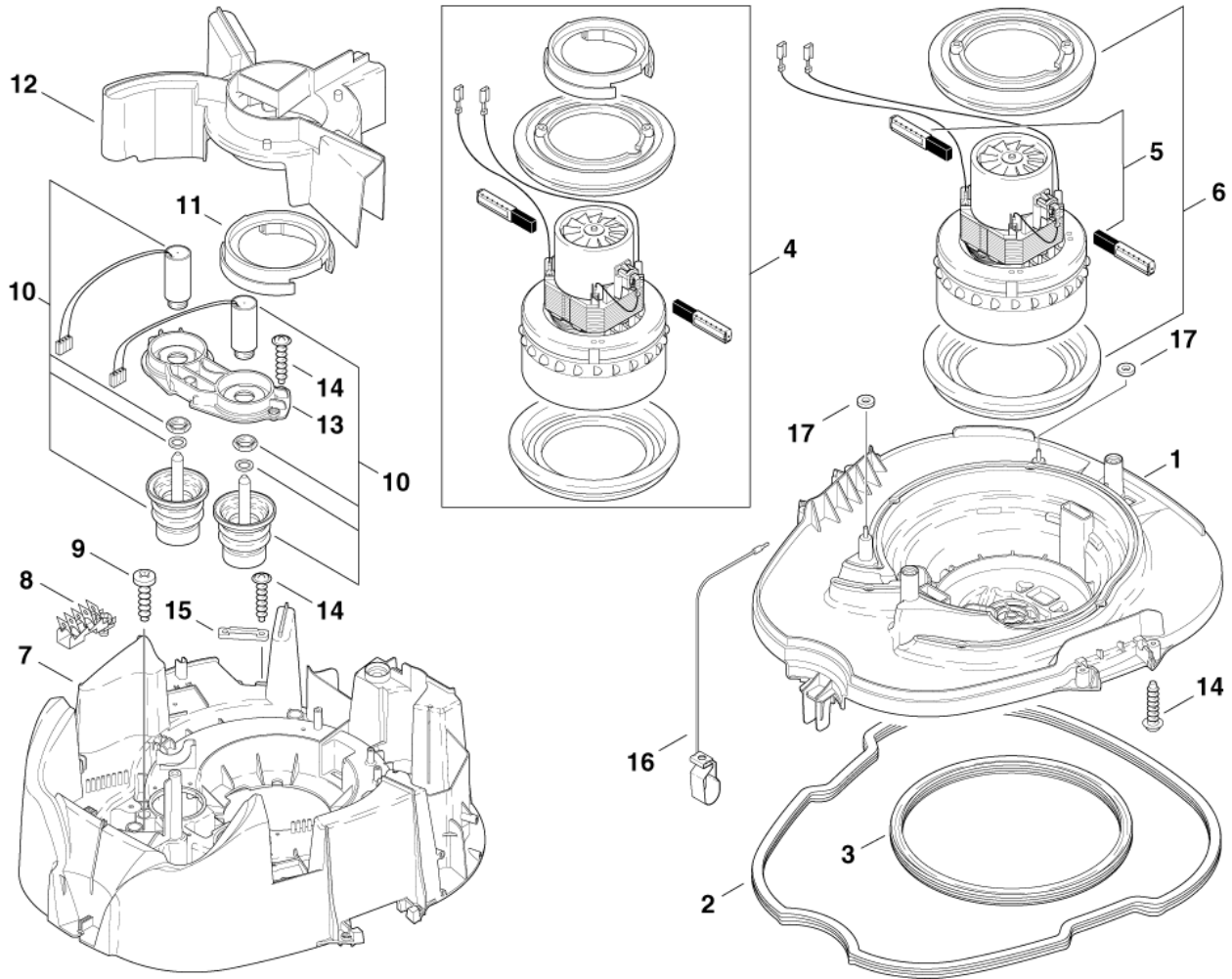


* NOTE: 550-2M*EU, 550-2M*GB,230V*, 550-0H*GB,230V*, 550-2H*EU*, 751-2M

Pos.	Vare-nr	Antal	Beskrivelse	Notes
1	302000372	1	Plade	
2	302000637	1	Tætning til beholder	
3	302000460	1	Tætning til filter	
4	49594	1	Motor 220V 1200W	[1]
4	49598	1	Motor - Turbine 1000W	[2]
4	26784	1	Motor 120V 1200W	[3]
5	26774	1	"Kulsæt ""M"" "	[4]
5	49625	1	Kulsæt C	[5]
5	26775	1	"Kulsæt ""L"" "	[6]
6	42538	1	"Motorpakningssæt ""C"" "	[5]
6	28875	1	"Motorpakningssæt ""L""+"M"" "	[7]
7	302000755	1	EARTH CONNECTOR	
8	302001286	1	SUPPORTING PLATE	
9	302000373	1	Lufffordeler	
10	47035	1	COLLAR 55 SHORE A EPDM	[8]
10	47036	1	Gummipakning	
11	11256	6	Skruer Ka3,5X18	
12	5697	1	STRAP 3X8X33	
13	909100138	8	Skruer	
14	302000658	1	Filterelement H-klasse	[9]
14	302000490	1	Filterelement PET-fleece M-klasse	[10]
15	107400577	1	Filter Support Cage -H-Se T-1	[11]
15	107402646	1	Filter Support Cage	[10]
16	302000379	1	Beskyttelsesplade	
17	61174	1	Jordkabel	
17	302000823	1	CONTACT SPRING 41.8X14 AS BR	[12]
18	107400755	1	TEE WRENCH HEXAGON 24MM DIN659	[9]
19	30082	1	Poser til filterelementer (10 stk.)	[9]
20	62359	2	GASKET 9X4X1	
21	302001641	1	ADAPTOR SUBASSEMBLE	[13]
22	302001546	1	Pakning	[13]
23	909100196	3	SCREW 5.0X90	[13]

Part Notes:

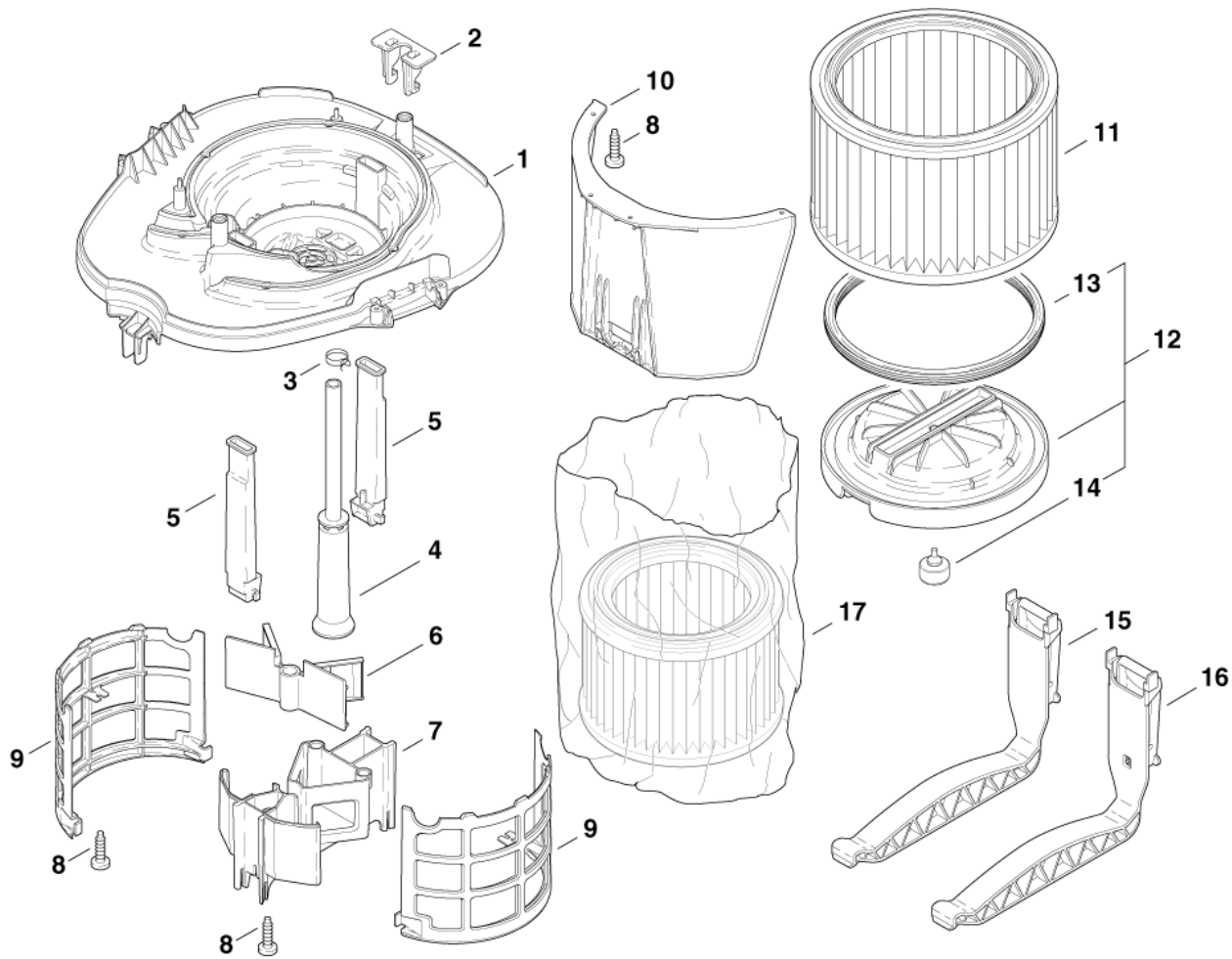
- [1] - * SEE NOTE
- [2] - 550-0H*EU*, 751-0H
- [3] - 550-2M*GB,110V*, 550-0H*GB,110V*
- [4] - FOR IDENTIF.LETTER "M"
- [5] - FOR IDENTIF.LETTER "C"
- [6] - FOR IDENTIF.LETTER "L"
- [7] - FOR IDENTIF.LETTER"L"+"M"
- [8] - 550-0H*EU*,751-0H
- [9] - 550-0H, 550-2H, 751-0H
- [10] - 550-2M, 751-2M
- [11] - 550-0H, 550-2H,751-0H
- [12] - *GB*
- [13] - 751-0H, 751-2M



Pos.	Vare-nr	Antal	Beskrivelse	Notes
1	302000511	1	Plade	
2	302000637	1	Tætning til beholder	
3	302000460	1	Tætning til filter	
4	49594	1	Motor 220V 1200W	[1]
4	26784	1	Motor 120V 1200W	[2]
5	26775	1	"Kulsæt ""L"" "	[3]
5	49625	1	Kulsæt C	[4]
5	26774	1	"Kulsæt ""M"" "	[5]
6	28875	1	"Motorpakningssæt ""L""+"""M"" "	[6]
6	42538	1	"Motorpakningssæt ""C"" "	[4]
7	302001657	1	SUPPORTING PLATE 56	
8	302000755	1	EARTH CONNECTOR	
9	909100138	8	Skruer	
10	302000217	2	ELECTROMAGNET 12V	[7]
10	107402635	2	Electromagnet 24V Kit	[8]
11	47036	1	Gummipakning	
12	302000373	1	Luffordeler	
13	302000388	1	Frame 190X90X18 Pp	
14	11256	11	Skruer Ka3,5X18	
15	5697	1	STRAP 3X8X33	
16	61174	1	Jordkabel	
17	62359	2	GASKET 9X4X1	

Part Notes:

- [1] - *EU*
- [2] - *GB,110V*
- [3] - FOR IDENTIF.LETTER "L"
- [4] - FOR IDENTIF.LETTER "C"
- [5] - FOR IDENTIF.LETTER "M"
- [6] - FOR IDENTIF.LETTER"L"+"M"
- [7] - FOR 100-120V
- [8] - FOR 220-240V

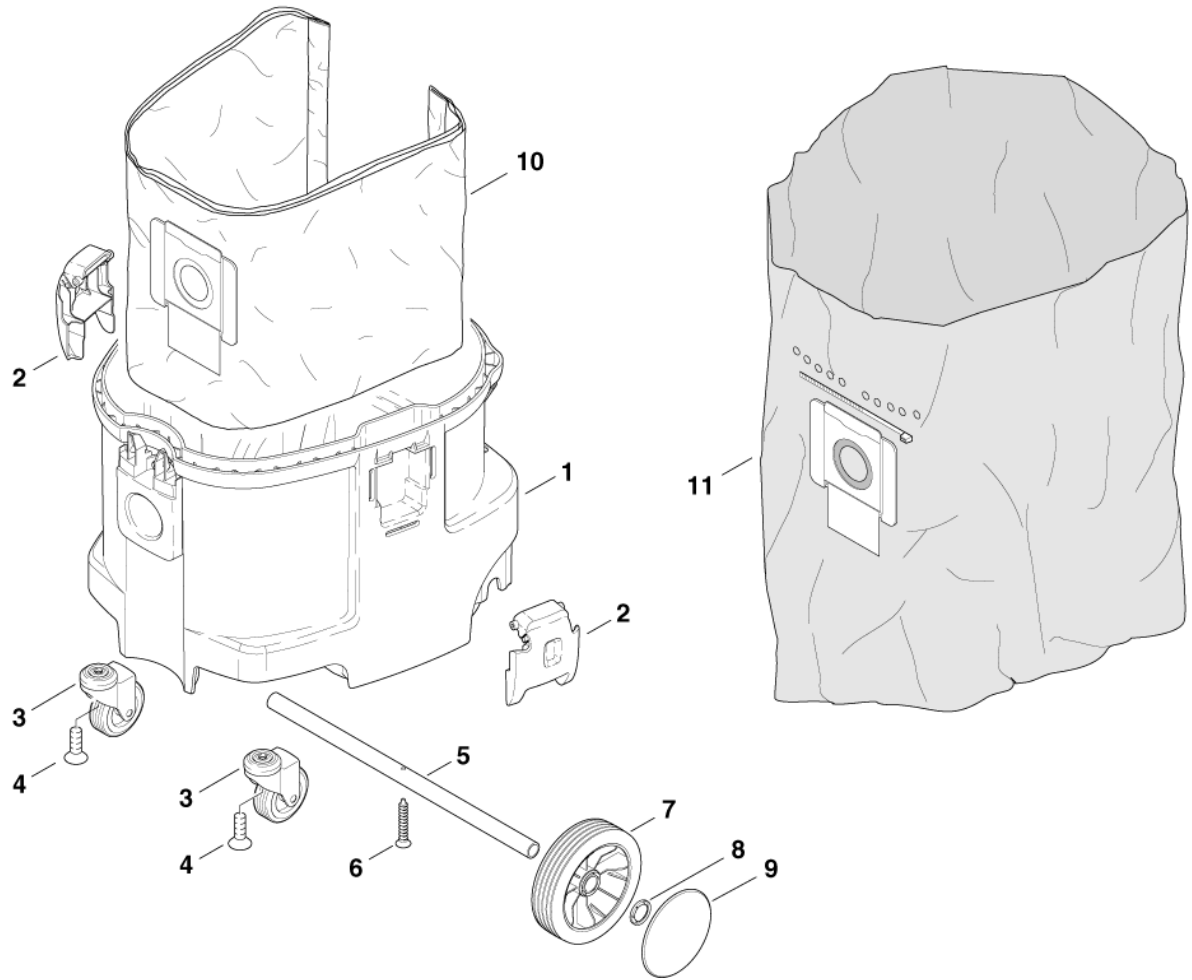


Pos.	Vare-nr	Antal	Beskrivelse	Notes
1	107413315	1	BASE PLATE - KIT	
2	107413313	1	FIXTURE 72X32X52 - KIT	
3	909100137	1	Band Clamp Fitting 19	
4	303000516	1	Slange	[1]
4	302001473	1	Hose D40X396	[2]
5	302000514	2	Pakning	
K1	107412690	1	Skjold med klapper	[3]
8	909100138	9	Skrue	
9	302000385	2	Filterhus	
10	107402640	1	Deflector 318X180X212 Kit	
11	107400564	1	Filterelement H-klasse	[4]
11	302000751	1	Filterelement Ø275x185 PET M-klasse	[5]
12	107402653	1	Bundplade F/Filter	
13	302000697	1	Gasket Filter	
14	302000515	1	Plug	
15	107402651	1	Holder For Filter	[6]
16	302001139	1	Holder For Filter	[4]
17	30082	1	Poser til filterelementer (10 stk.)	[4]

Part Notes:

- [1] - 560-2MXC, 560-2HXC,
- [2] - 761-2MXC
- [3] - Includes pos. 6+7
- [4] - 560-2HXC
- [5] - 560-2MXC, 761-2MXC, 763-2M ED
- [6] - 560-2MXC, 761-2M XC, 763-2M ED

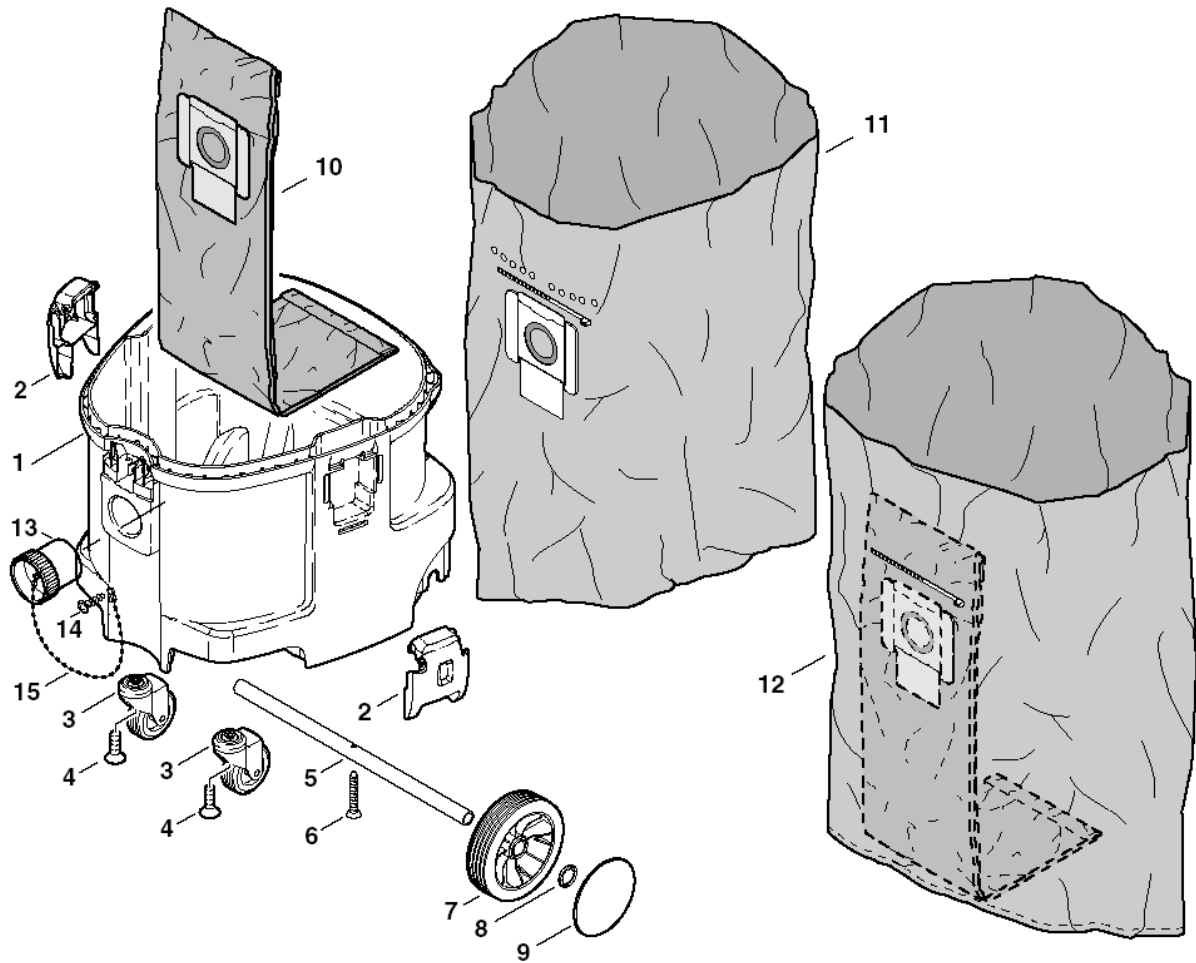
ATTIX 550-2M, 550-0H,550-2H



Pos.	Vare-nr	Antal	Beskrivelse	Notes
1	107413314	1	CONTAINER - KIT	
2	302000349	2	Lukkeclamp	
3	107409103	1	CASTOR D75X100 2 PCS.	
4	909100164	2	Skrue	
5	107402649	1	Axle 20X1.5X440	
6	909100085	1	Skrue	
7	302000639	2	Hjul Ø150	
8	47302	2	Låseskive	
9	67050	2	Navkapsel	
10	302000527	1	Støvsugerposer papir (5 stk.)	[1]
11	302001141	1	Sikkerhedsfilterposer (5 stk.)	[2]

Part Notes:

- [1] - 550-2M
[2] - 550-0H, 550-2H

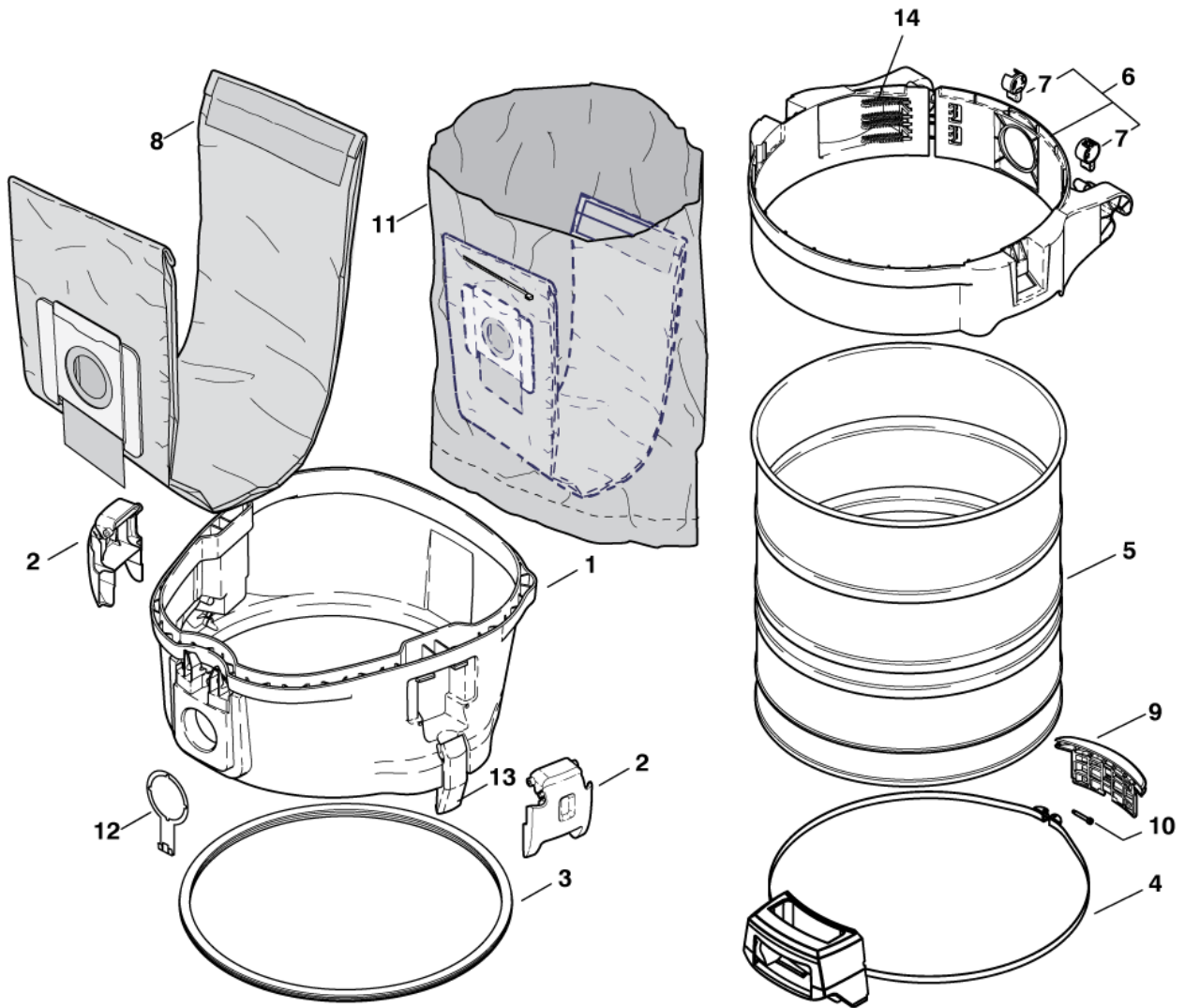


Pos.	Vare-nr	Antal	Beskrivelse	Notes
1	107413314	1	CONTAINER - KIT	
2	302000349	2	Lukkeclamp	
3	107409103	1	CASTOR D75X100 2 PCS.	
4	909100164	2	Skruer	
5	107402649	1	Axle 20X1.5X440	
6	909100085	1	Skruer	
7	302000639	2	Hjul Ø150	
8	47302	2	Låseskive	
9	67050	2	Navkapsel	
10	302001138	1	Støvsugerposer papir (5 stk.)	[1]
11	302000728	1	Opsamlingsposer plast (5 stk.)	
12	302001143	1	Sikkerhedsfilterposer (5 stk.)	[2]
13	14775	1	Plastmuffe Ø50	[2]
14	24738	1	SCREW KA35X 8 WN1411	[2]
15	30080	1	BALL CHAINS	[2]

Part Notes:

[1] - 560-2MXC

[2] - 560-2HXC

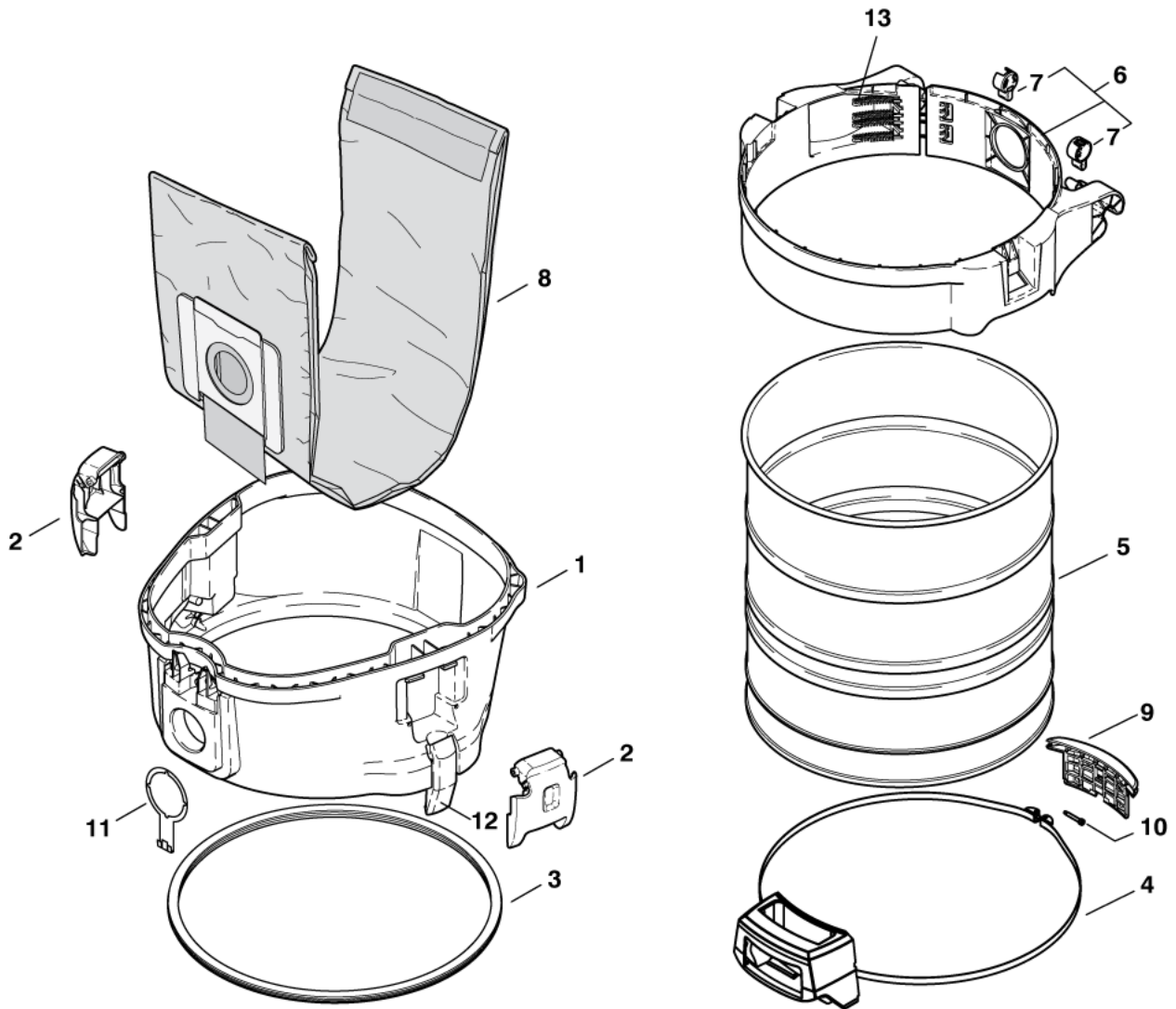


Pos.	Vare-nr	Antal	Beskrivelse	Notes
1	107400257	1	Mellemring	
2	302000349	1	Lukkeclamp	
3	302001432	1	Pakning Container	
4	302001605	1	Håndtag	
5	107402657	1	Container R408X430Ss	
6	302001704	1	Belt Container 1480 Set	
7	302001441	1	Interlock ATTIX 7	
8	302001484	1	Støvsugerposer papir (5 stk.)	[1]
8	302002892	1	Støvsugerposer fleece (5 stk.)	
9	302001363	1	Holder 155X55X35	
10	302001613	1	Skruer M5X35X5	
11	302001486	1	Sikkerhedsfilterposer (5 stk.)	[2]
12	107400145	1	Ground Connector	
13	19880	1	Snaplås	
14	909100383	1	Spring 1.40X7.5X113	

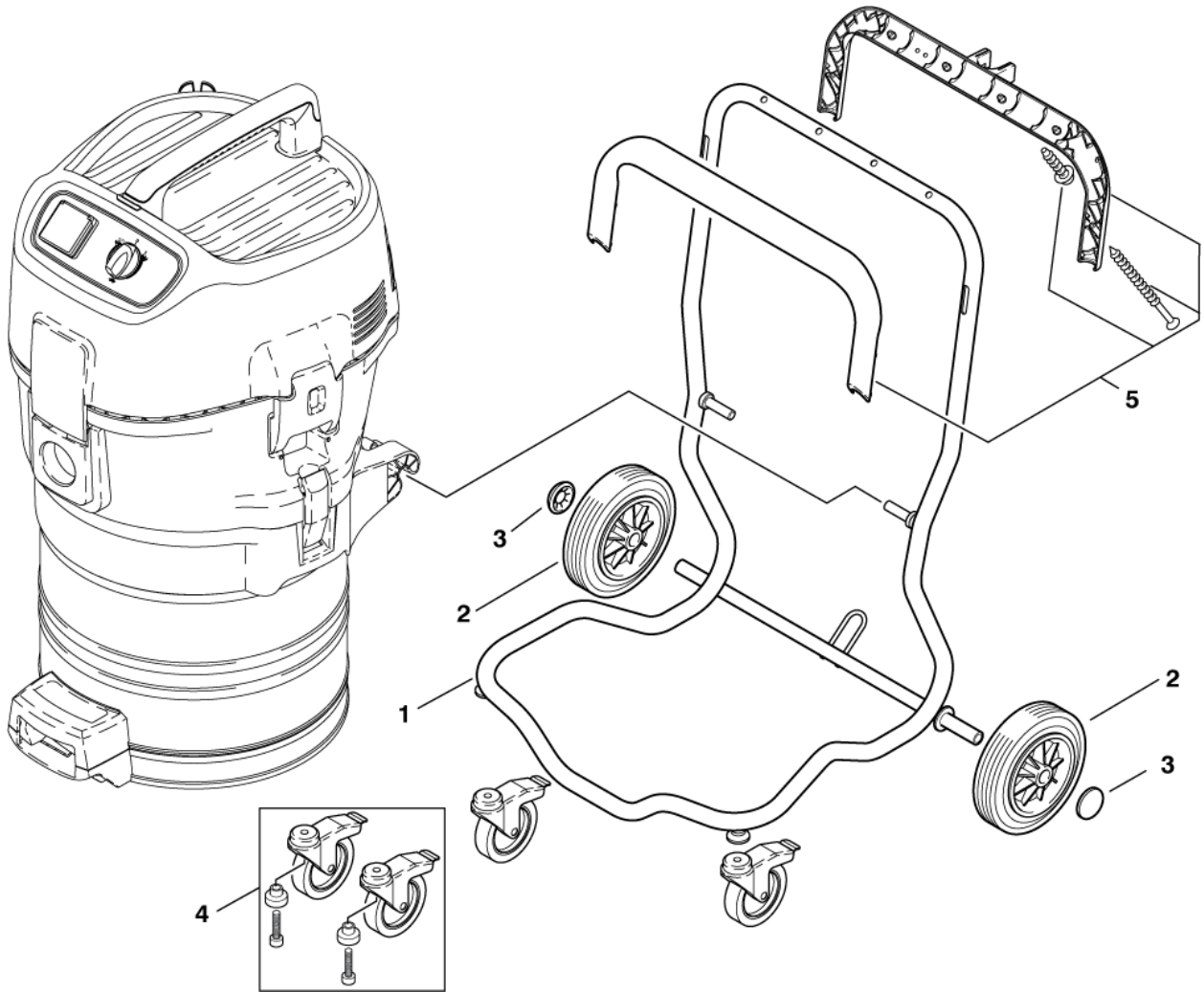
Part Notes:

[1] - 751-2M

[2] - 751-0H



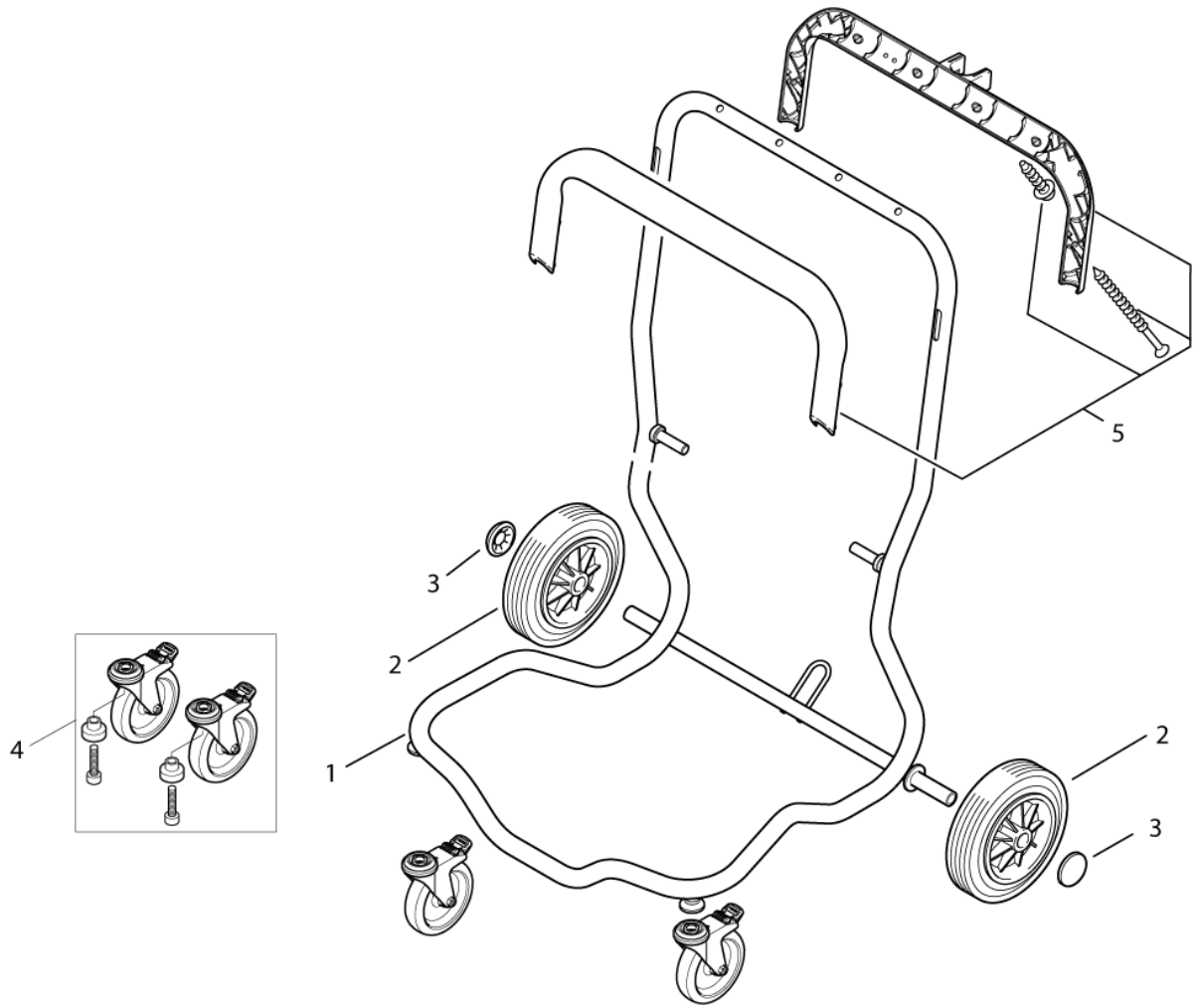
Pos.	Vare-nr	Antal	Beskrivelse	Notes
1	107400257	1	Mellemring	
2	302000349	2	Lukkeclamp	
3	302001432	1	Pakning Container	
4	302001605	1	Håndtag	
5	107402657	1	Container R408X430Ss	
6	302001704	1	Belt Container 1480 Set	
7	302001441	2	Interlock ATTIX 7	
8	302001484	1	Støvsugerposer papir (5 stk.)	
8	302002892	1	Støvsugerposer fleece (5 stk.)	
9	302001363	1	Holder 155X55X35	
10	302001613	1	Skruer M5X35X5	
11	107400145	1	Ground Connector	
12	19880	1	Snaplås	
13	909100383	1	Spring 1.40X7.5X113	



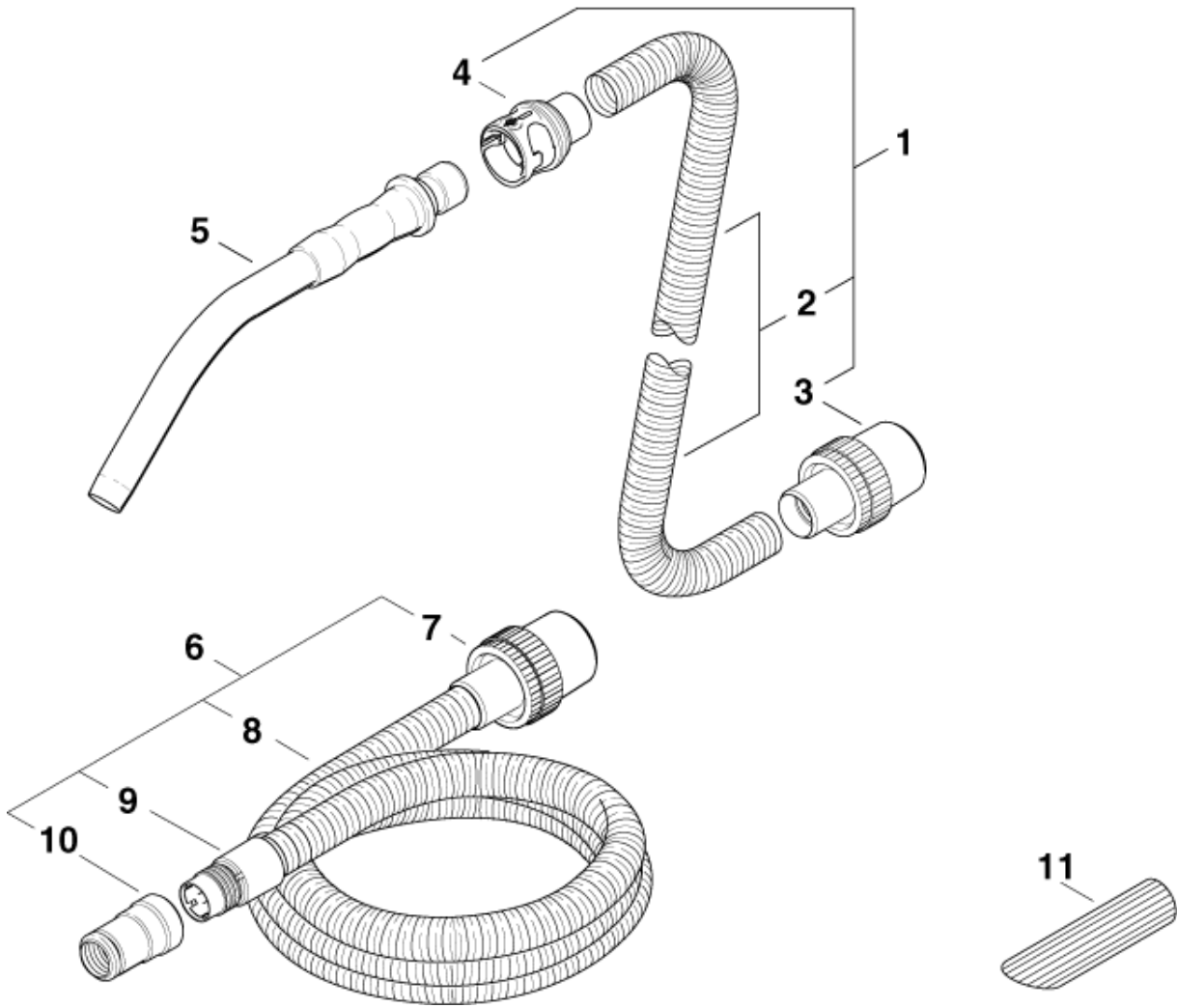
Pos.	Vare-nr	Antal	Beskrivelse	Notes
1	302001437	1	Ramme	
2	107401077	2	Hjul 200X50	[1]
3	3750	2	Lås Ø20	
4	107401054	1	Hjulsæt	[2]
5	302001706	1	Håndtag	

Part Notes:

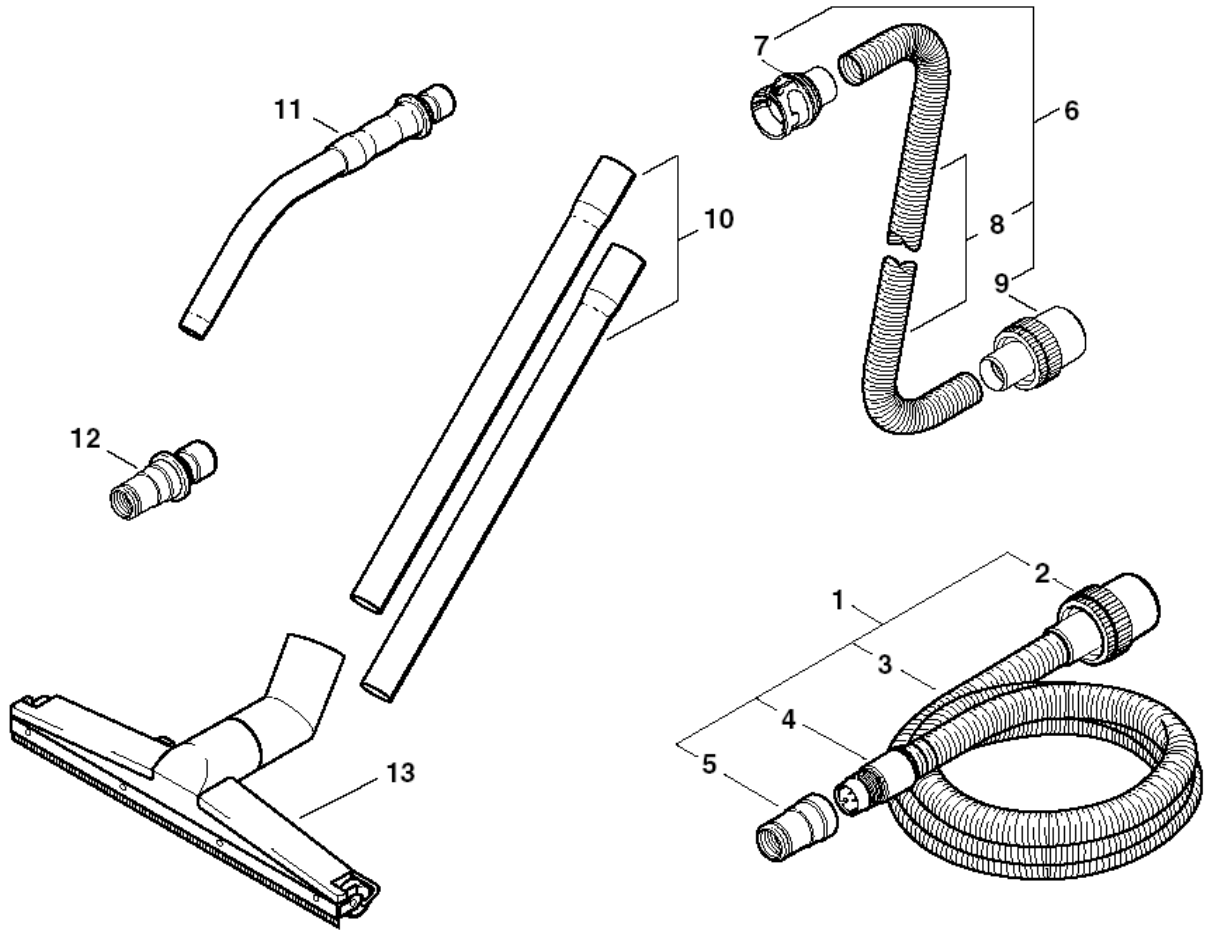
- [1] - 302000334
- [2] - 2011054



Pos.	Vare-nr	Antal	Beskrivelse	Notes
1	302001437	1	Ramme	
2	107401077	2	Hjul 200X50	
3	3750	2	Lås Ø20	
4	107401054	1	Hjulsæt	
5	302001706	1	Håndtag	



Pos.	Vare-nr	Antal	Beskrivelse	Notes
1	46948	1	Sugeslange universal 3 m lynkobling Ø36	
2	11985	1	Sugeslange Ø36 pr. meter (max. 20 meter)	
3	15102	1	Slangemuffe Ø36/50	
4	302001345	1	Koblingsmuffe Ø36	
5	46691	1	Rørbøjning RF stål Ø36	
5	302000528	1	Rørbøjning krom-belagt lynkobling Ø36	
6	107406091	1	Sugeslange AntiStatic 3,5m Ø27 m.adapter	
7	15369	1	Slangemuffe Antistat Ø27	
8	15326	1	Sugeslange AntiStatic pr. meter Ø27	
9	63509	1	Gevindstykke Ø27	
10	107404520	1	Adapter Ø27/36	
11	5067	1	Fugemundstykke gummi 190 mm Ø36	



Pos.	Vare-nr	Antal	Beskrivelse	Notes
1	107406091	1	Sugeslange AntiStatic 3,5m Ø27 m.adapter	
2	15369	1	Slangemuffe Antistat Ø27	
3	15326	1	Sugeslange AntiStatic pr. meter Ø27	
4	63509	1	Gevindstykke Ø27	
5	107404520	1	Adapter Ø27/36	
6	302001682	1	Sugeslange Antistatic 5 m lynkobling Ø36	
7	302001345	1	Koblingsmuffe Ø36	
8	15312	1	Sugeslange AntiStatic pr. meter Ø36	
9	15102	1	Slangemuffe Ø36/50	
10	107408074	1	Forlængerrør RF 505 mm 2 stk. Ø36	
11	46691	1	Rørbøjning RF stål Ø36	
12	302000535	1	Adapter til el-værktøj AntiStatic	
13	15348	1	Tørsugningsmundstykke alu 450 mm Ø36	

